



US00D776284S

(12) **United States Design Patent**
Ratto et al.

(10) **Patent No.:** **US D776,284 S**

(45) **Date of Patent:** **** Jan. 10, 2017**

(54) **PORTABLE ORAL ANALYSIS DEVICE**

(71) Applicant: **Breathometer, Inc.**, Burlingame, CA (US)

(72) Inventors: **Tim Ratto**, Milbrae, CA (US);
Jonathan Gallagher, San Francisco, CA (US); **Kenton Ngo**, San Francisco, CA (US); **Silpesh Patel**, Brisbane, CA (US); **Likang Xue**, Santa Clara, CA (US)

(73) Assignee: **BREATHOMETER, INC.**, Burlingame, CA (US)

(**) Term: **14 Years**

(21) Appl. No.: **29/516,924**

(22) Filed: **Feb. 6, 2015**

(51) **LOC (10) Cl.** **24-02**

(52) **U.S. Cl.**
USPC **D24/186**

(58) **Field of Classification Search**
USPC D24/184, 185, 186, 187, 230; 506/3;
73/23.3, 202.5; D10/78, 81; 713/171;
600/532

See application file for complete search history.

(56) **References Cited**

U.S. PATENT DOCUMENTS

D371,605 S *	7/1996	Wong	D24/169
D516,217 S *	2/2006	Brown	D10/78
D617,461 S *	6/2010	Kaushal	D10/78
D704,581 S *	5/2014	Ho	D10/78
D706,149 S *	6/2014	Falleni	D10/78
D726,924 S *	4/2015	Tseng	D24/186

D732,672 S *	6/2015	Lewis, Jr.	D24/187
D739,948 S *	9/2015	Purfey	D24/187
D753,832 S *	4/2016	Lin	D24/186
2003/0104486 A1 *	6/2003	Selvan	B01J 19/0046 506/3
2010/0063408 A1 *	3/2010	Nothacker	G01N 33/4972 600/532

OTHER PUBLICATIONS

Canadian Office Action, Canadian Application No. 163684, Dec. 11, 2015, 2 pages.

* cited by examiner

Primary Examiner — Garth Rademaker

Assistant Examiner — Samantha Q Lawrence

(74) *Attorney, Agent, or Firm* — Fenwick & West LLP

(57) **CLAIM**

The ornamental design for a portable oral analysis device, as shown and described.

DESCRIPTION

FIG. 1 is a front, top and right side perspective view of a portable oral analysis device showing our new design; FIG. 2 is a rear, bottom and right side perspective view thereof;

FIG. 3 is a front elevational view thereof;

FIG. 4 is a rear elevational view thereof;

FIG. 5 is a left side elevational view thereof;

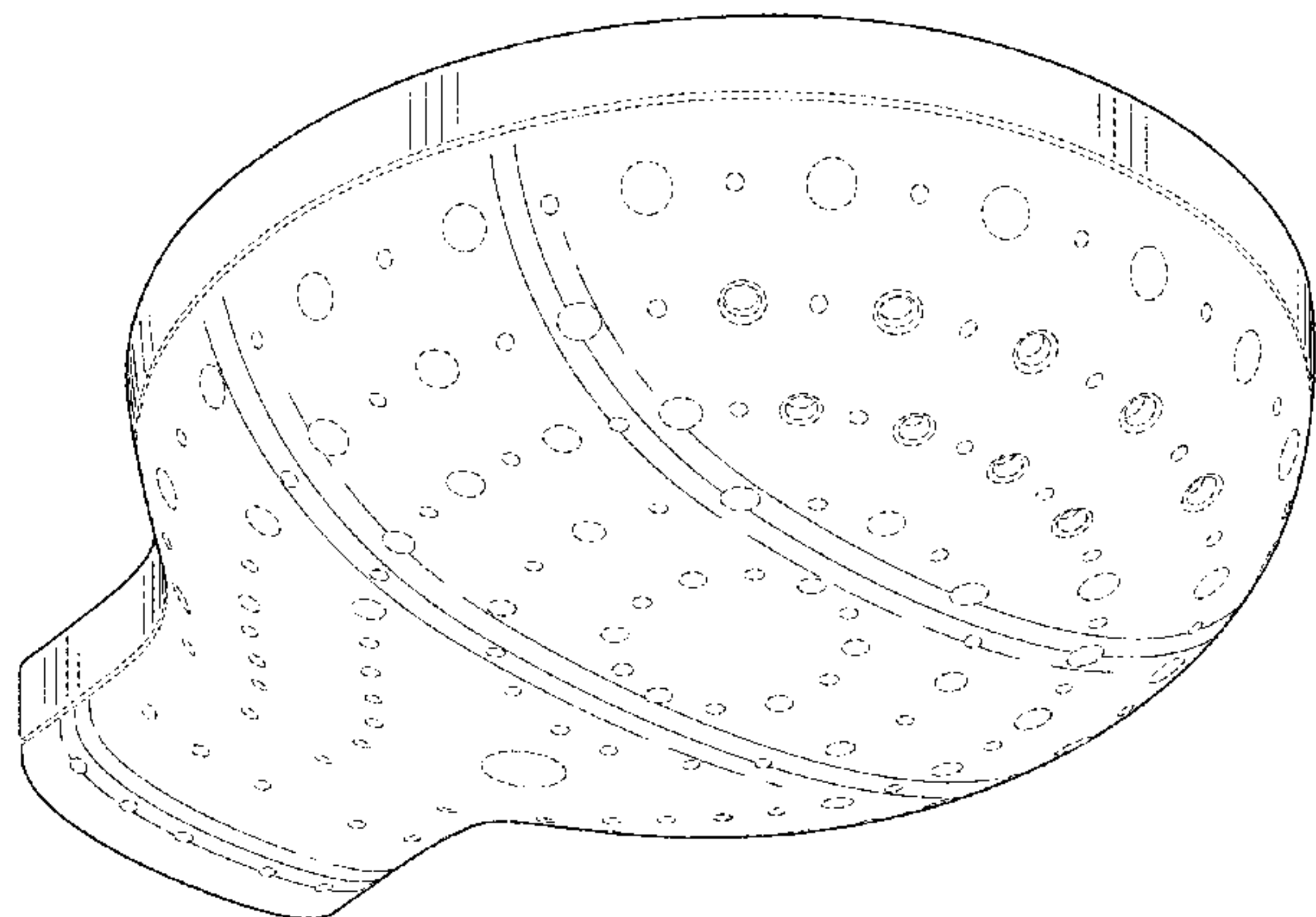
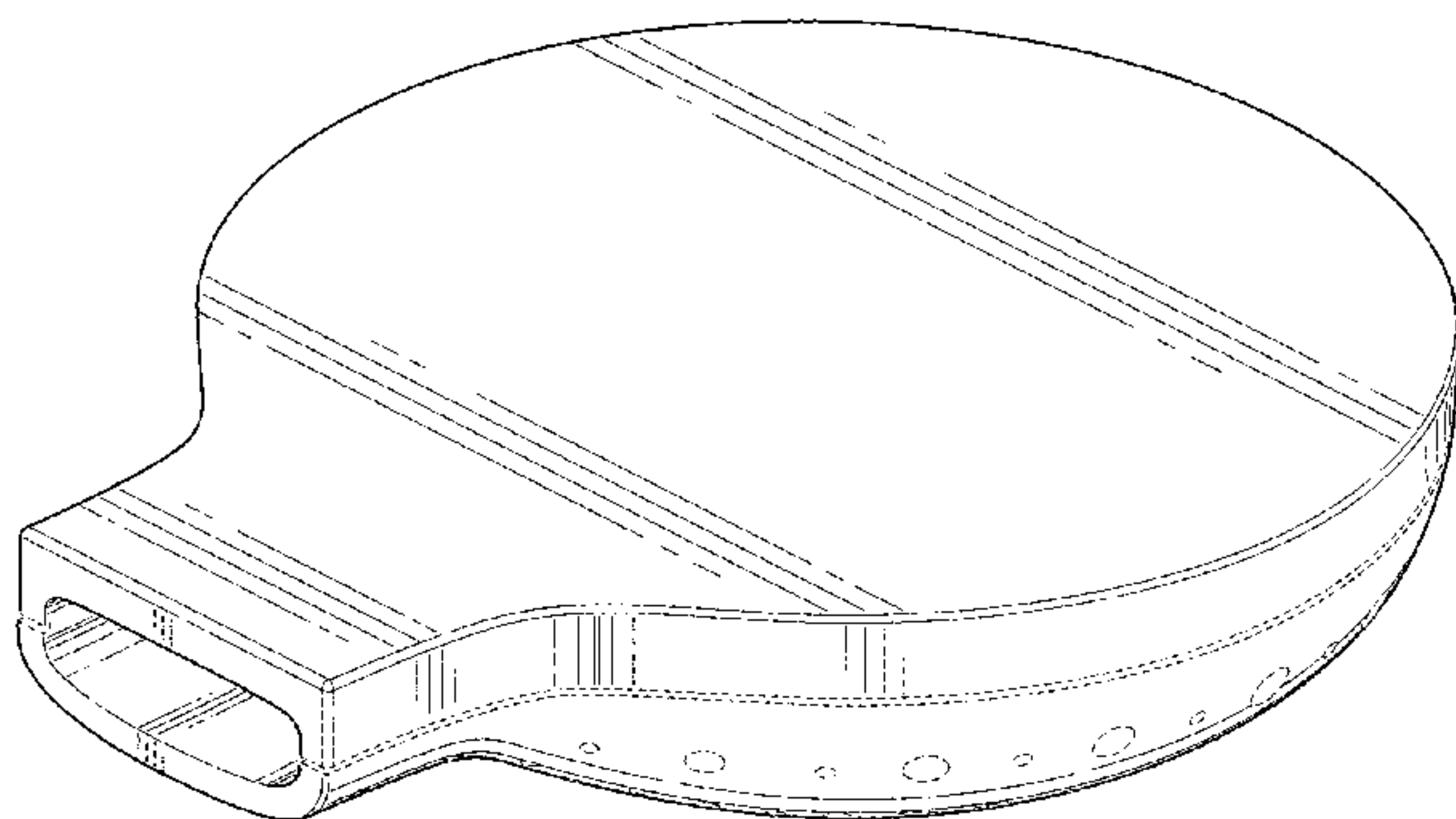
FIG. 6 is a right side elevational view thereof;

FIG. 7 is a top plan view thereof; and,

FIG. 8 is a bottom plan view thereof.

The broken lines shown in FIGS. 1-6 and FIG. 8 illustrate portions of the portable oral analysis device that form no part of the claimed design.

1 Claim, 8 Drawing Sheets



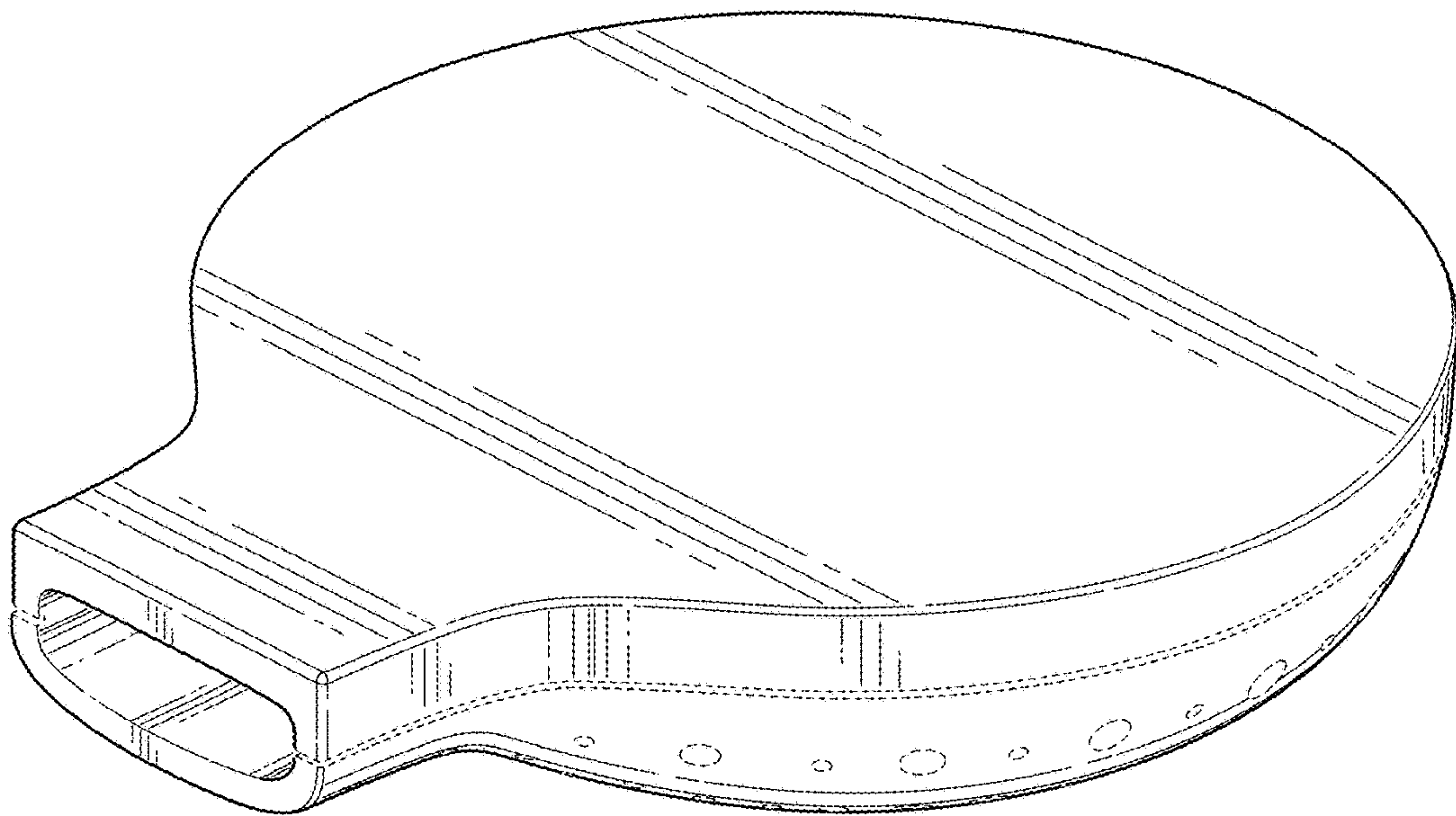


FIG. 1

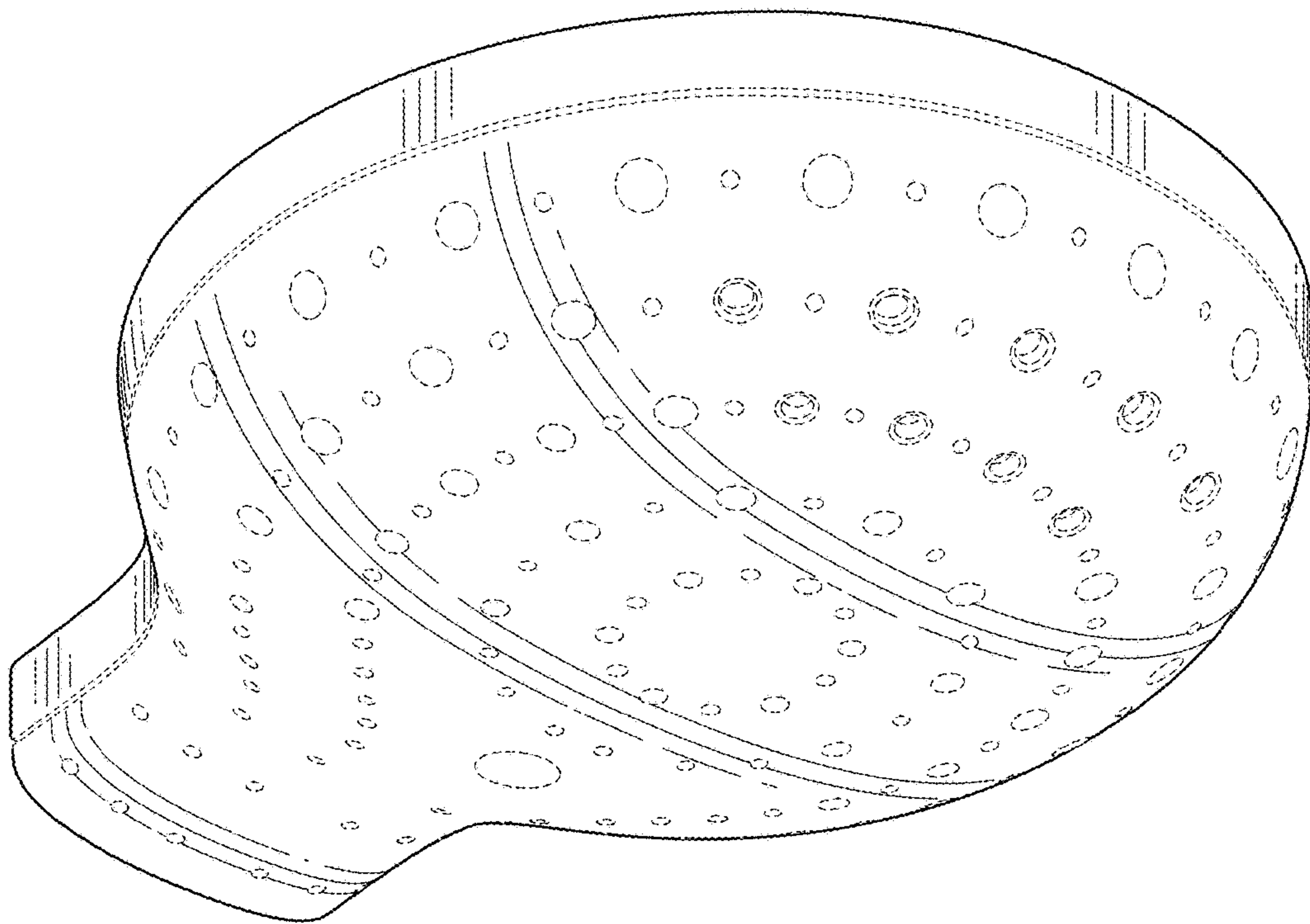


FIG. 2

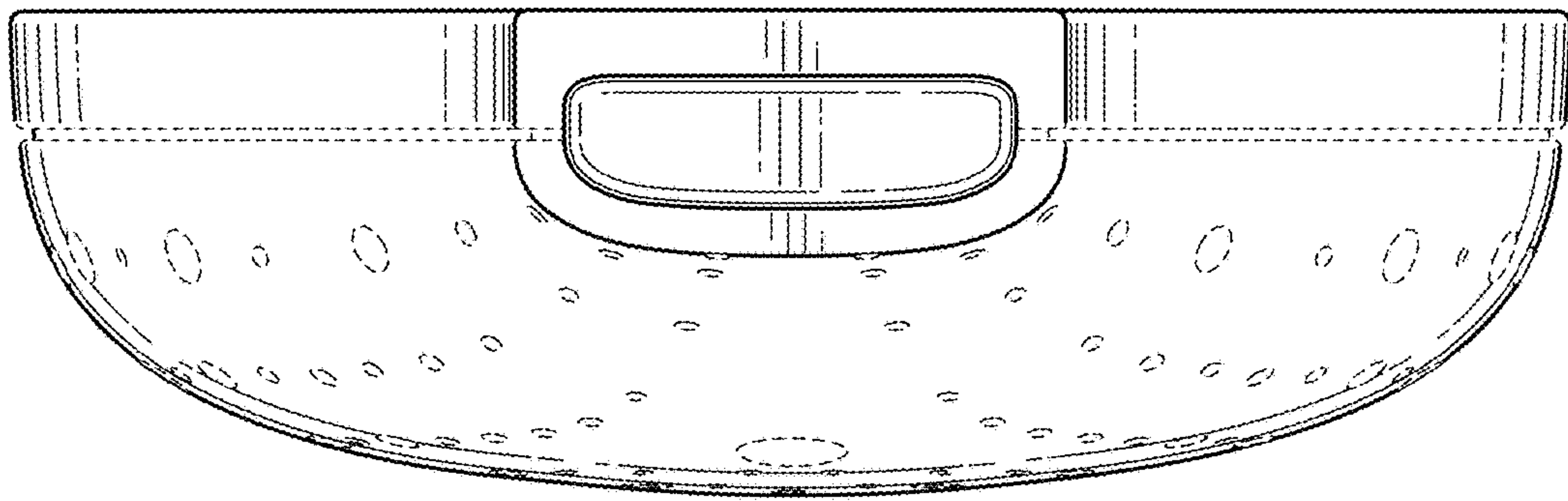


FIG. 3

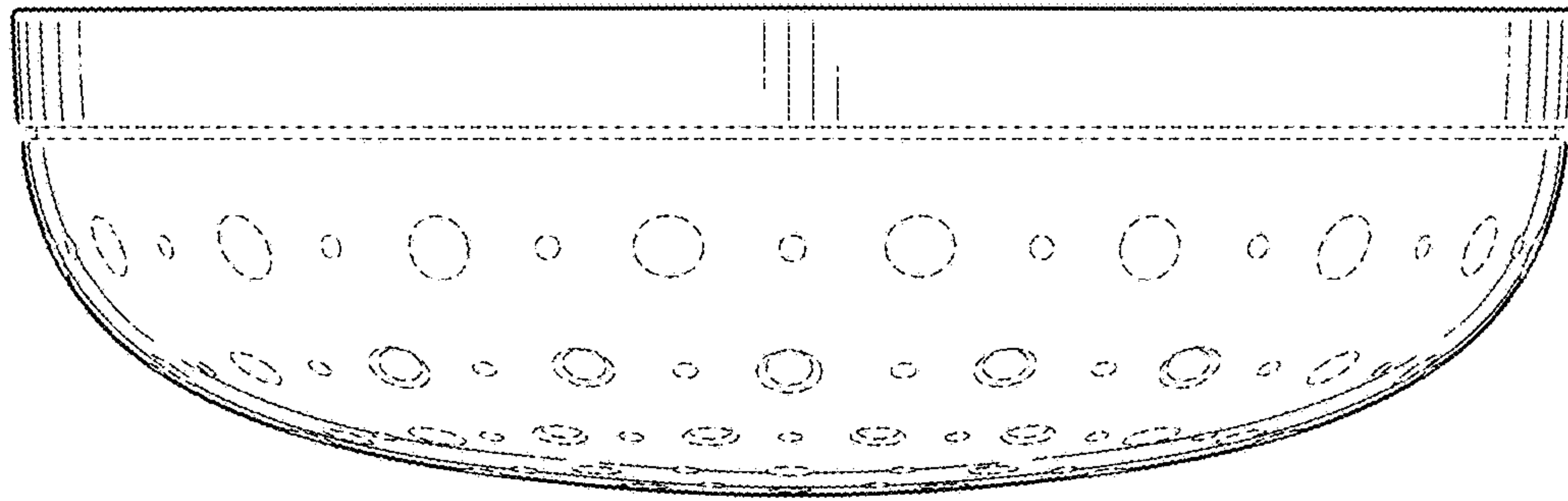


FIG. 4

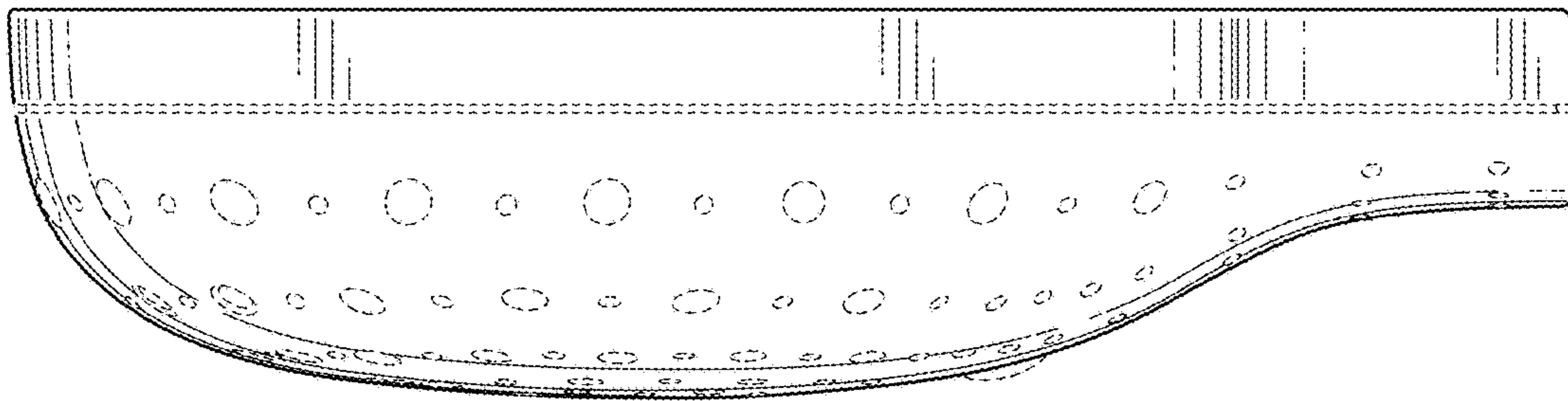


FIG. 5

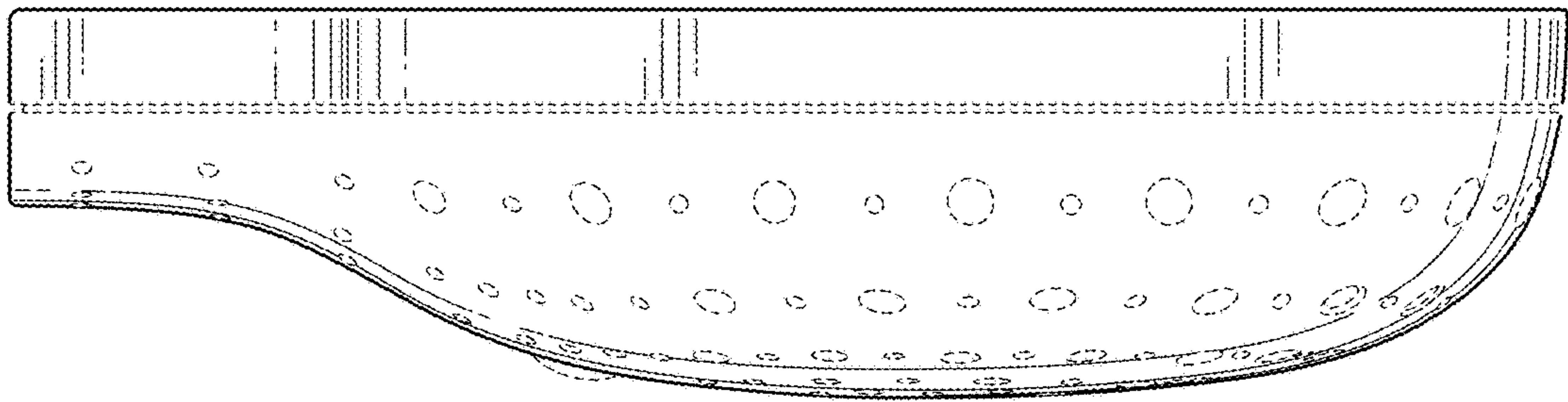


FIG. 6

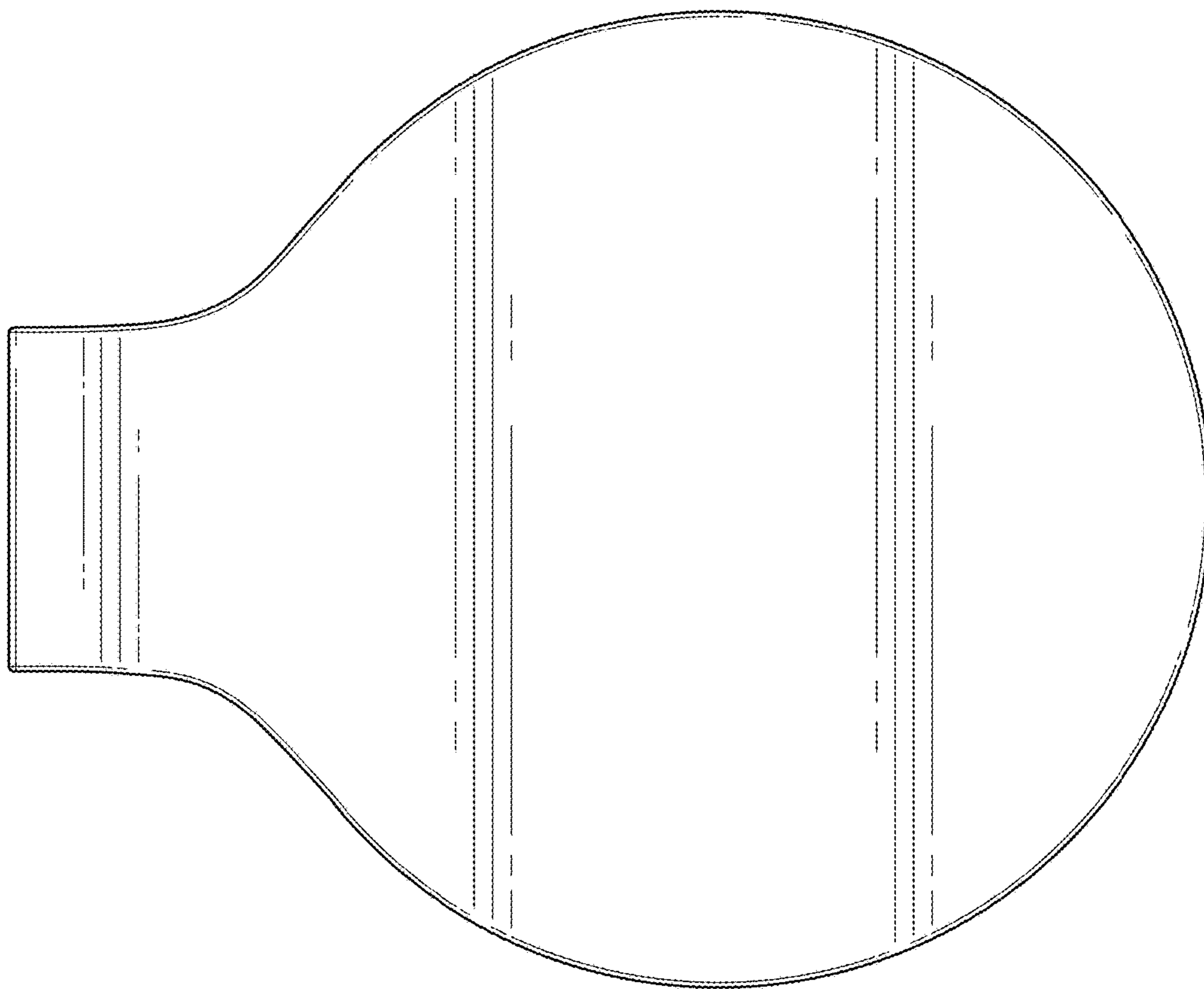


FIG. 7

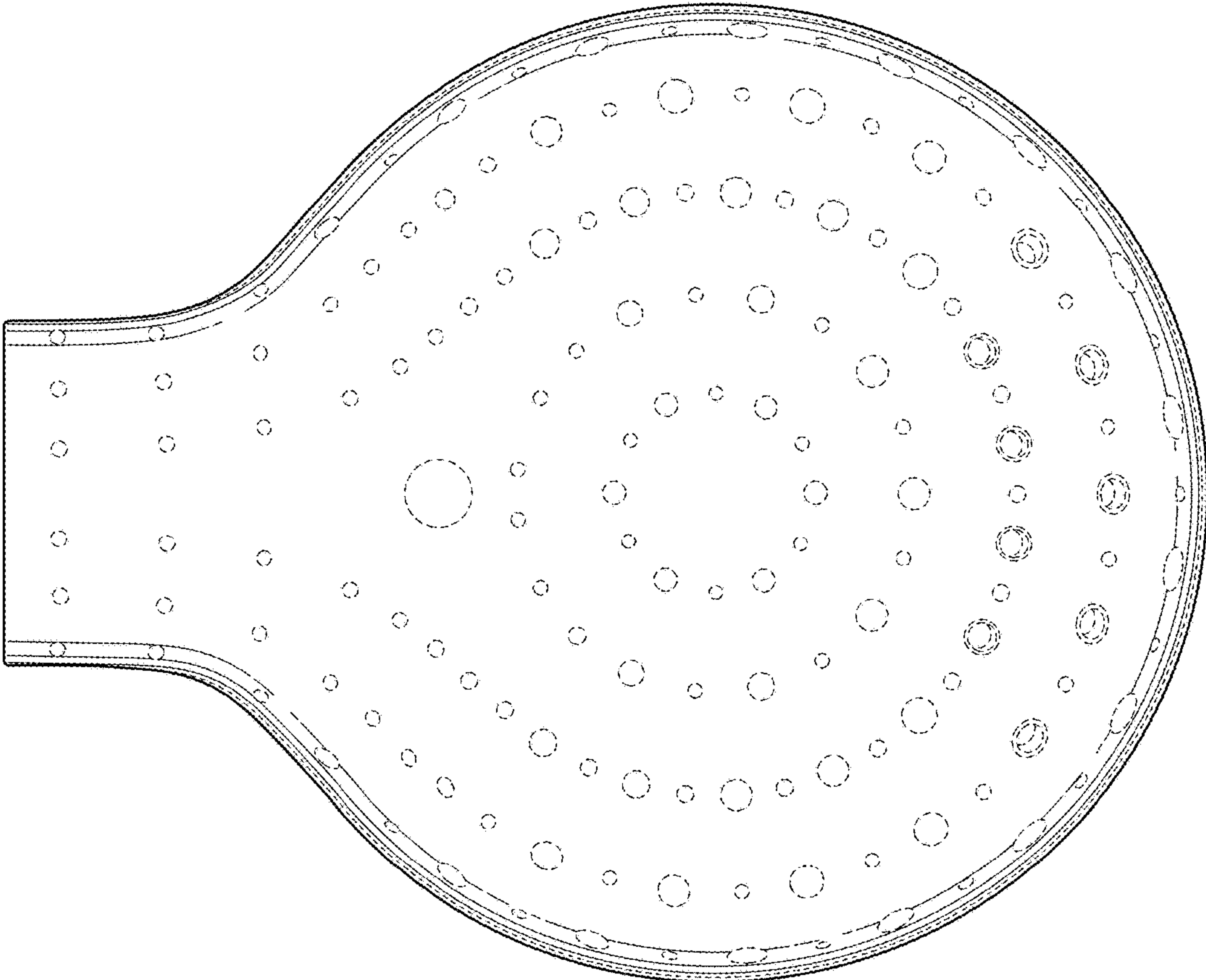


FIG. 8