



US00D776283S

(12) **United States Design Patent**  
**Lura et al.**

(10) **Patent No.:** **US D776,283 S**  
(45) **Date of Patent:** **\*\* Jan. 10, 2017**

(54) **PAIR OF DOORS FOR PORTABLE DIALYSIS CABINET**

(71) Applicant: **Medtronic, Inc.**, Minneapolis, MN (US)

(72) Inventors: **David B. Lura**, Maple Grove, MN (US); **Martin T. Gerber**, Maple Grove, MN (US); **Philip J D'Almada Remedios**, Palm Harbor, FL (US); **Bartosz Marek Korec**, Palm Harbor, FL (US)

(73) Assignee: **Medtronic, Inc.**, Minneapolis, MN (US)

(\*\*) Term: **15 Years**

(21) Appl. No.: **29/530,498**

(22) Filed: **Jun. 17, 2015**

(51) **LOC (10) Cl.** ..... **24-01**

(52) **U.S. Cl.**  
USPC ..... **D24/185**

(58) **Field of Classification Search**  
USPC . D24/185-186, 177, 184, 231-232; D6/703, D6/663-664  
CPC ..... E06B 3/5045; A47B 53/02; A47B 96/00; A47F 3/043; A61M 1/14; A61M 1/1621; A61M 1/1654; A61B 19/0248  
See application file for complete search history.

(56) **References Cited**

**U.S. PATENT DOCUMENTS**

D86,687 S \* 4/1932 Prouty ..... D24/185  
5,113,546 A \* 5/1992 Parent ..... B25H 3/00  
15/315

7,128,225 B2 \* 10/2006 Saltzburg ..... A47B 96/00  
211/187  
8,393,690 B2 \* 3/2013 Grant ..... A61M 1/14  
210/175  
D714,945 S \* 10/2014 Gerber ..... D24/185  
2007/0138922 A1 \* 6/2007 Frederick ..... A47B 96/00  
312/109  
2015/0083647 A1 \* 3/2015 Meyer ..... A61B 19/0248  
210/85

\* cited by examiner

*Primary Examiner* — Wan Laymon

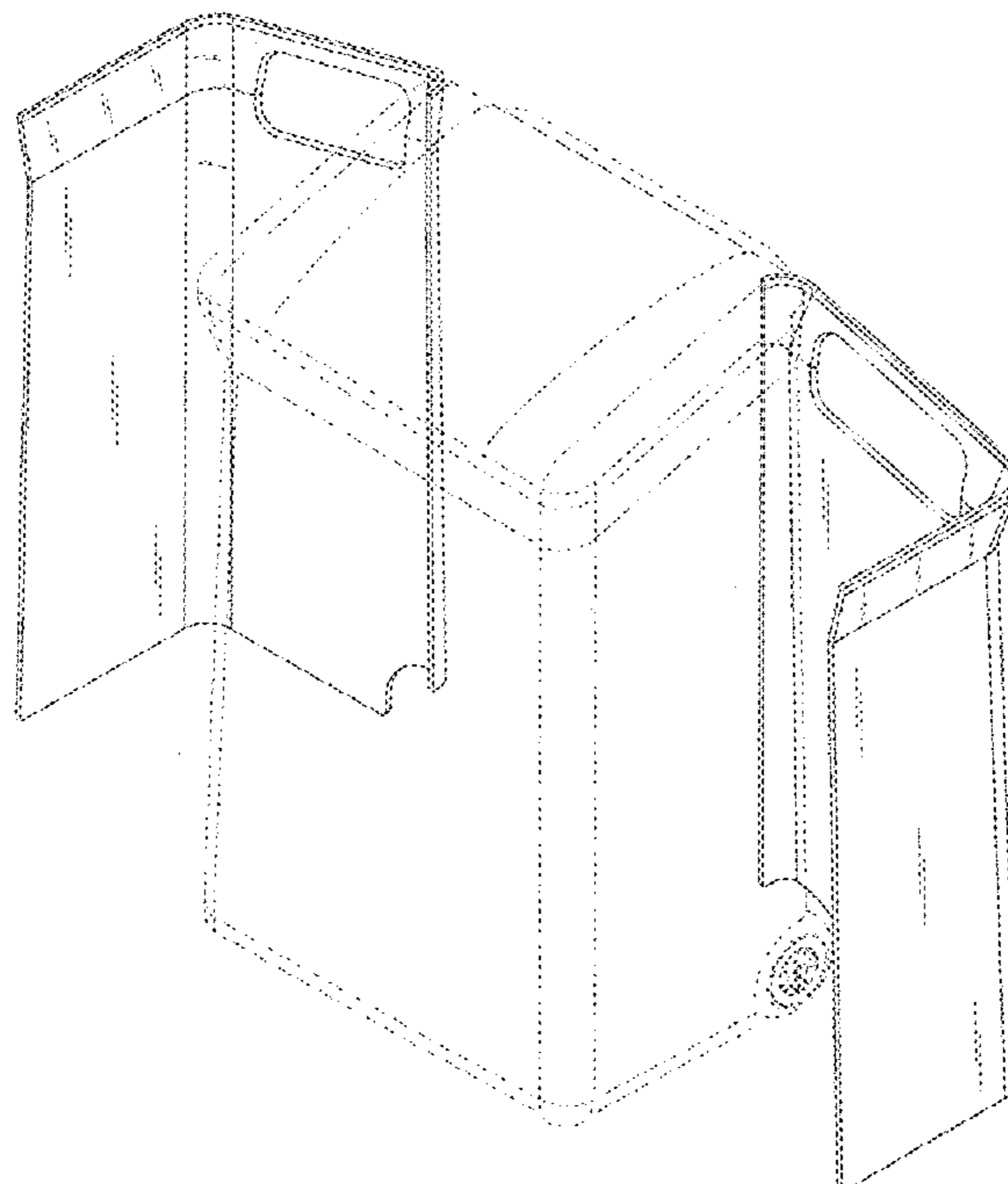
(57) **CLAIM**

The ornamental design for a pair of doors for portable dialysis cabinet, as shown and described.

**DESCRIPTION**

FIG. 1 is a perspective view of one side and the front of the pair of doors for portably dialysis cabinet according to our new design;  
FIG. 2 is another perspective view thereof;  
FIG. 3 is a front view thereof;  
FIG. 4 is a rear view thereof;  
FIG. 5 is a left side view thereof;  
FIG. 6 is a right side view thereof;  
FIG. 7 is a top view thereof; and,  
FIG. 8 is a bottom view thereof.  
In the drawings, the dashed lines depict environmental subject matter only and form no part of the claimed design.

**1 Claim, 6 Drawing Sheets**



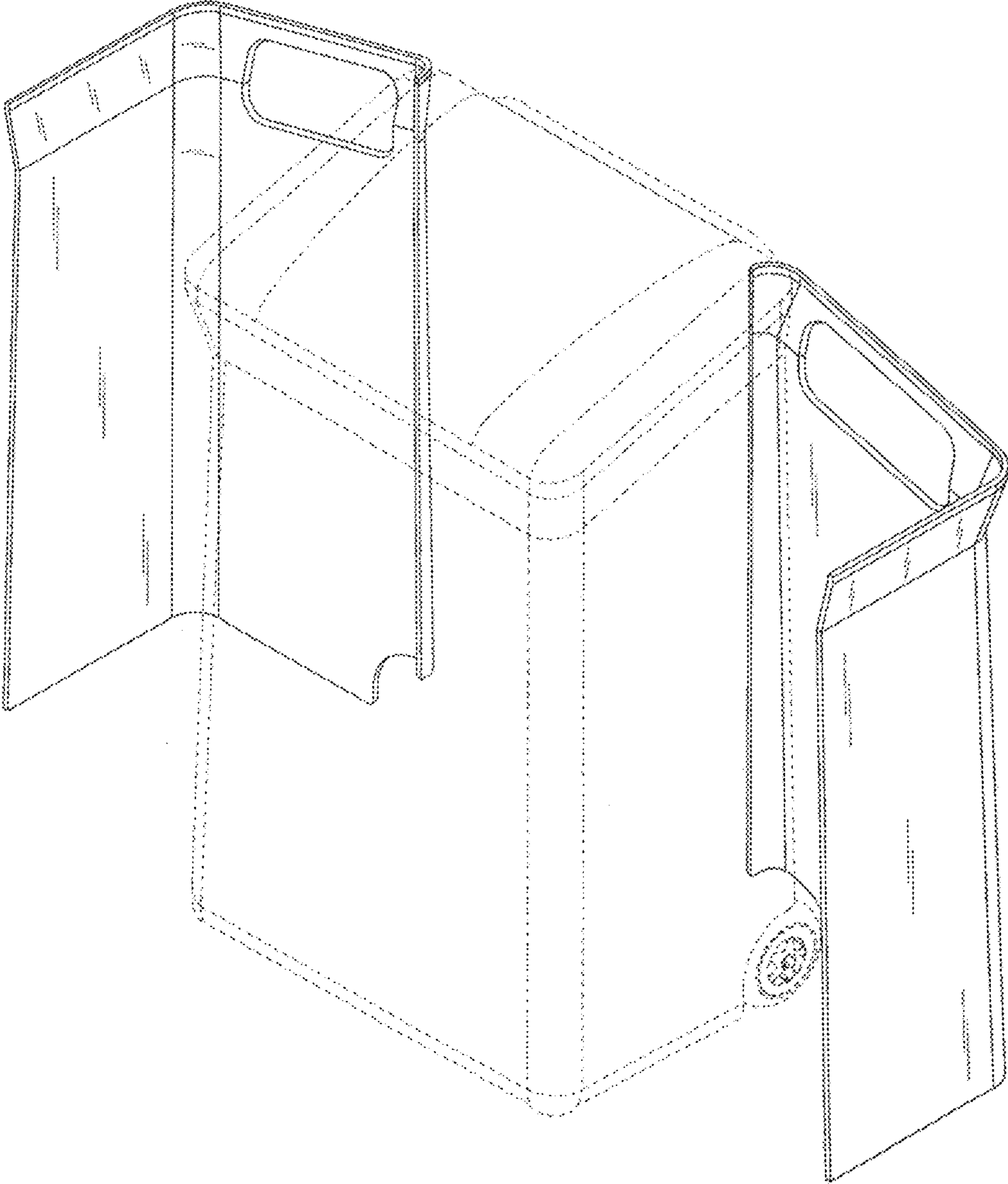


FIG. 1

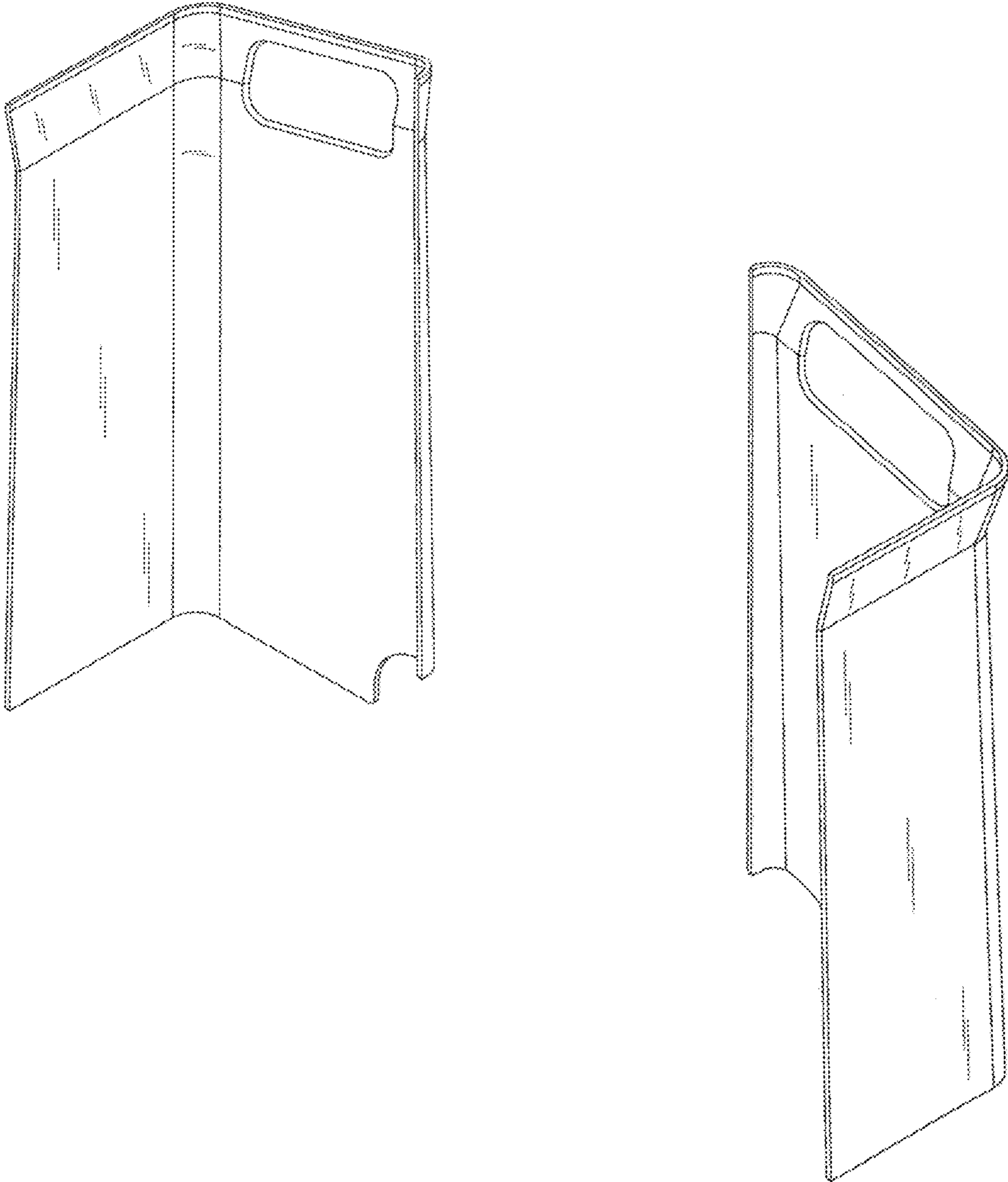


FIG. 2

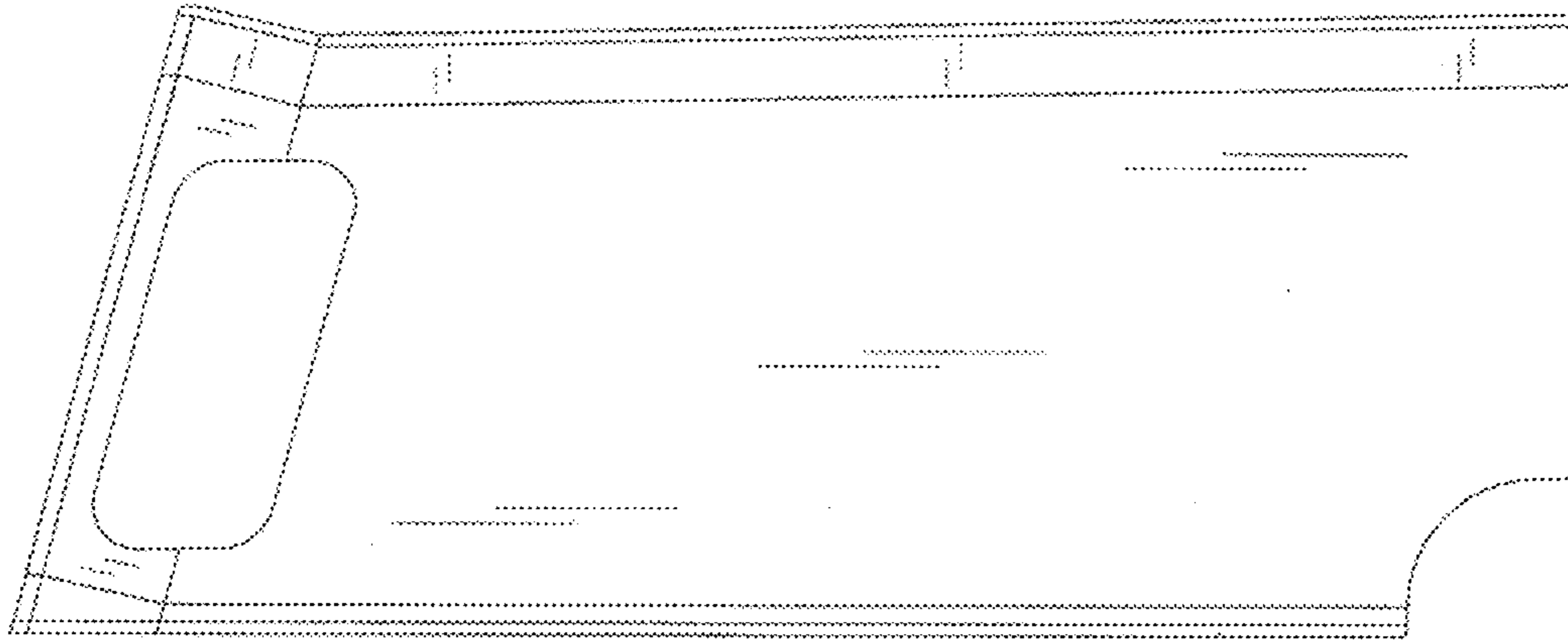
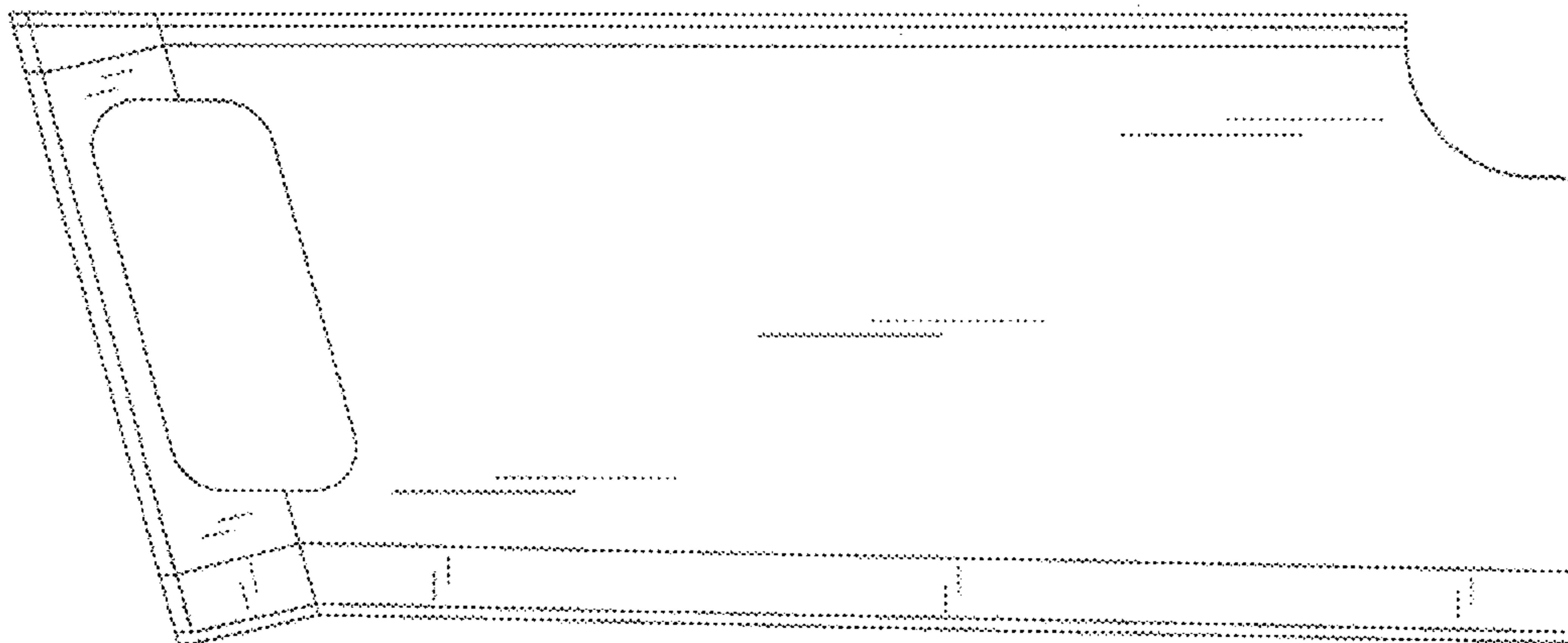


FIG. 3



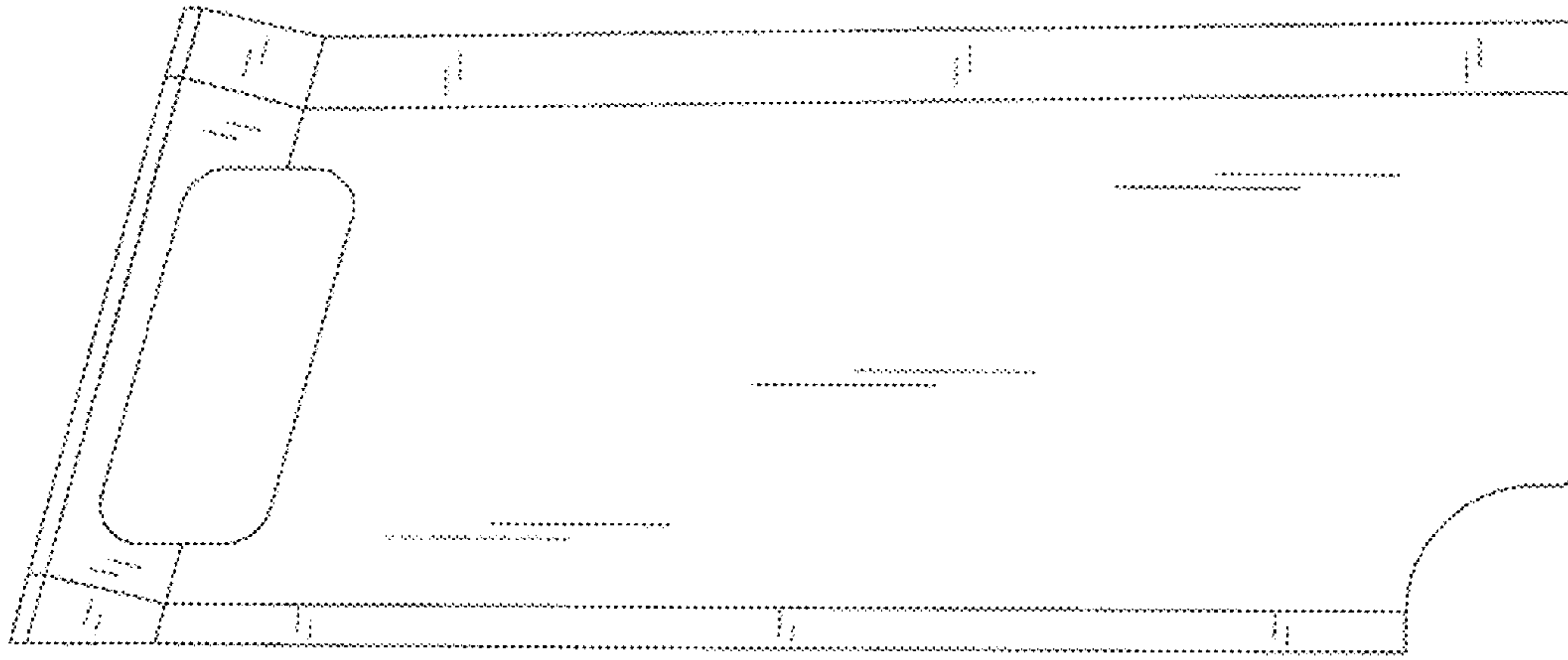
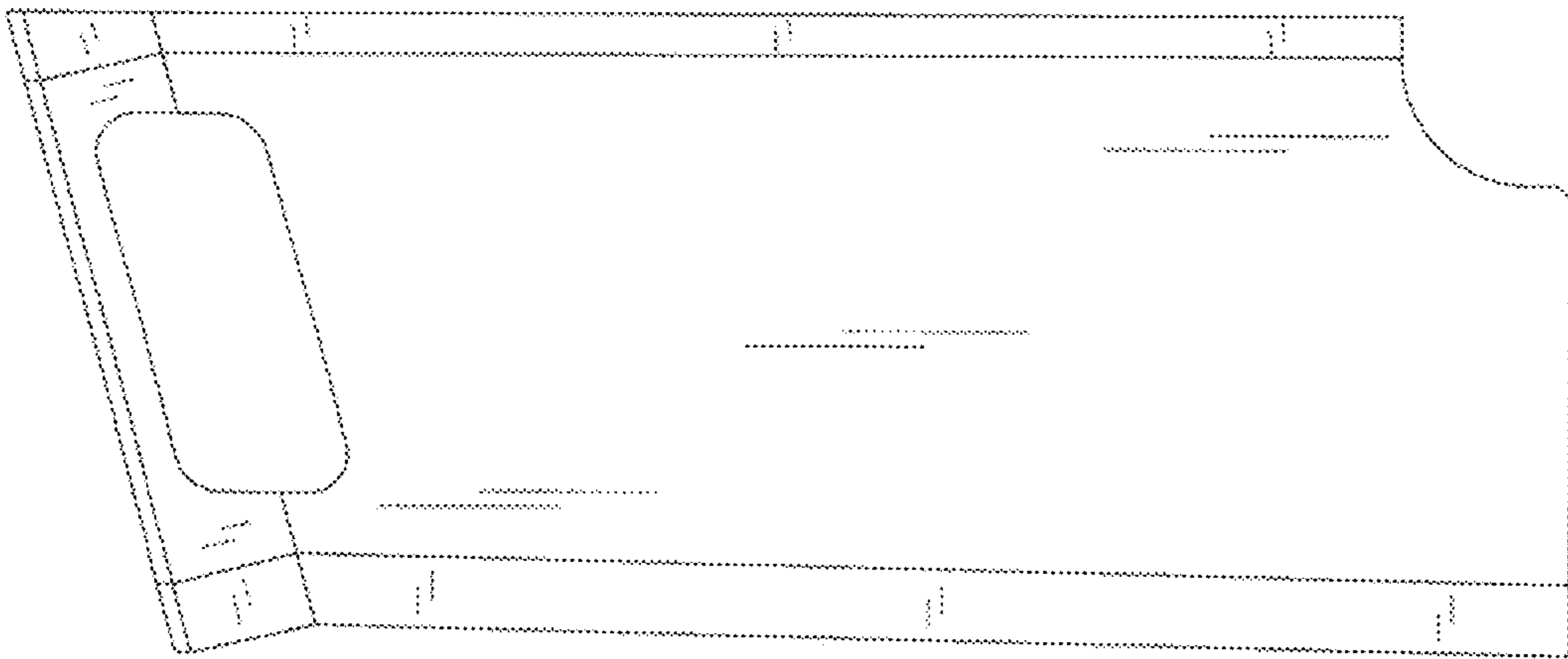


FIG. 4



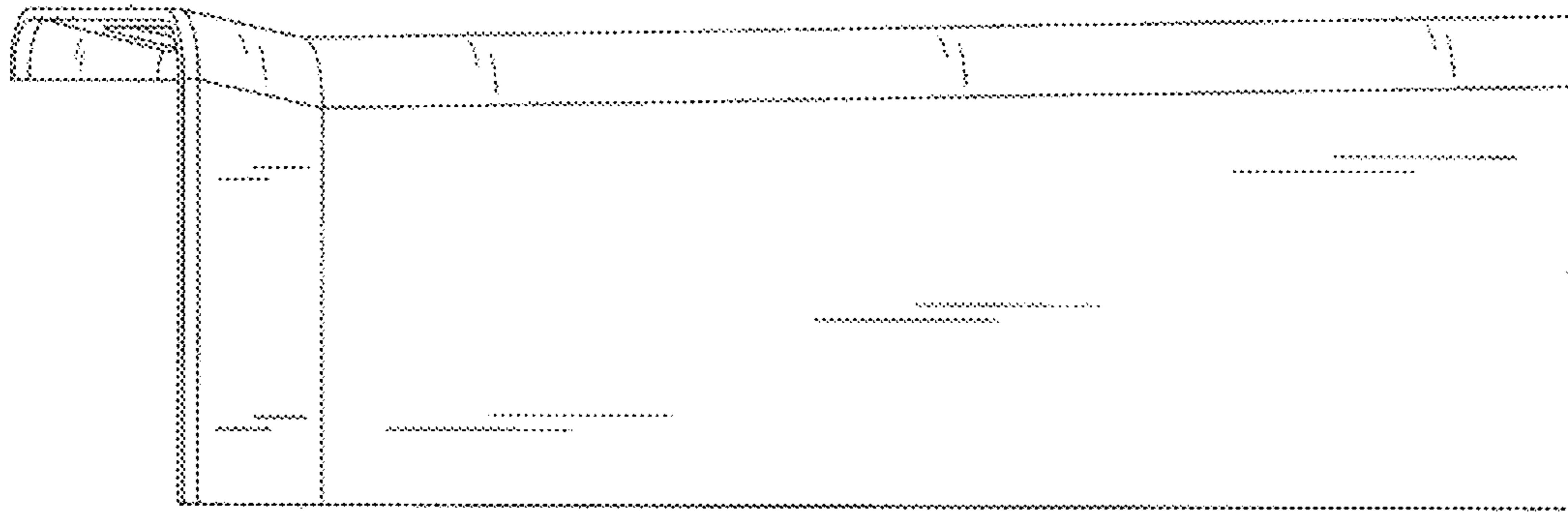


FIG. 6

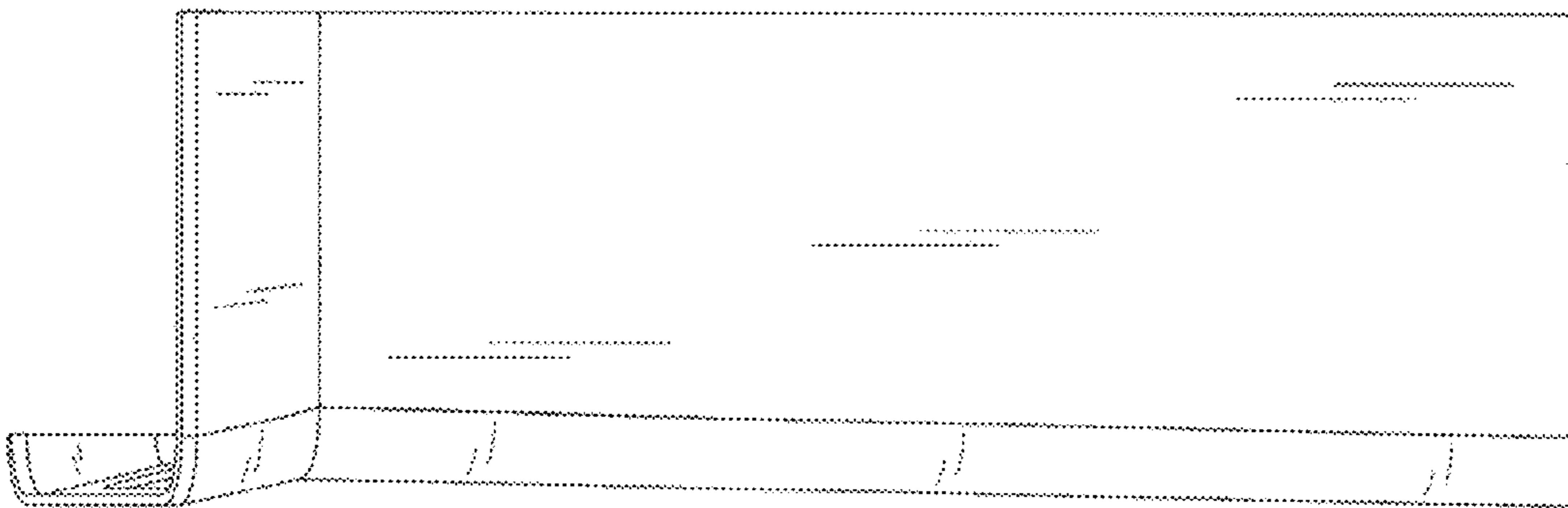


FIG. 5

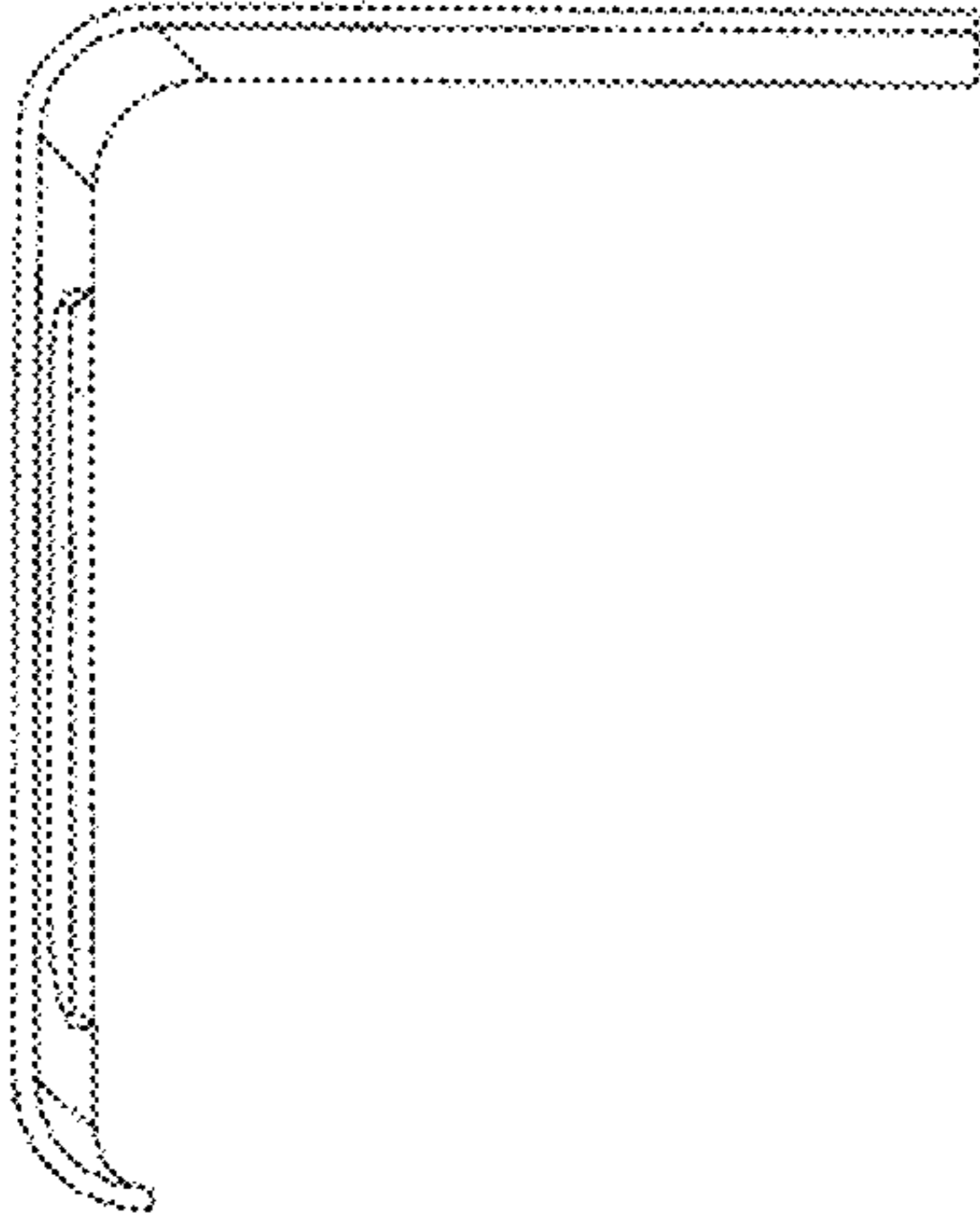


FIG. 7

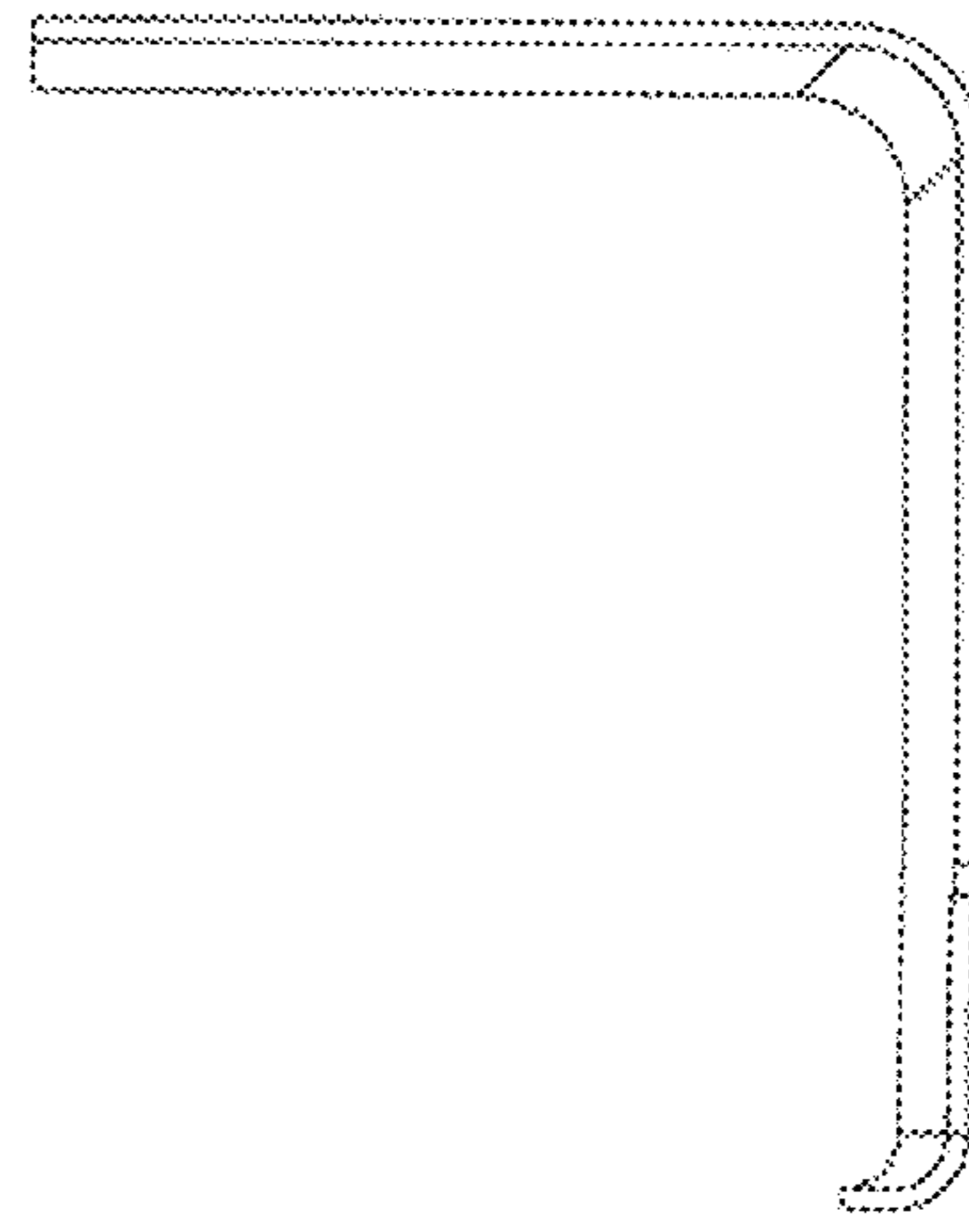


FIG. 8

