



US00D776280S

(12) **United States Design Patent**
Birkholtz et al.

(10) **Patent No.:** **US D776,280 S**

(45) **Date of Patent:** **** Jan. 10, 2017**

(54) **ORTHOPEdic FOOT SUPPORT**

(71) Applicant: **BONE MAGIC (PTY) LTD**, Lyttelton
(ZA)

(72) Inventors: **Franz Friedrich Birkholtz**, Irene (ZA);
Bradley John Beckerleg, Centurion
(ZA)

(73) Assignee: **Bone Magic (PTY) LTD.**, Lyttelton
(ZA)

(**) Term: **15 Years**

(21) Appl. No.: **29/541,127**

(22) Filed: **Sep. 30, 2015**

(51) **LOC (10) Cl.** **24-00**

(52) **U.S. Cl.**
USPC **D24/171**

(58) **Field of Classification Search**
USPC D24/171, 192, 140, 185, 200; 378/208;
601/15; 128/88, DIG. 20
CPC A61B 6/505; A61H 35/006; A61F 5/127;
A47C 20/021
See application file for complete search history.

(56) **References Cited**

U.S. PATENT DOCUMENTS

- 4,320,749 A * 3/1982 Highley A61B 6/505
378/208
- 4,513,735 A * 4/1985 Friedson A61H 35/006
601/15
- 4,962,760 A * 10/1990 Jones A61F 5/0127
126/88
- 5,289,828 A * 3/1994 Toth A47C 20/021
128/DIG. 20

- D629,913 S * 12/2010 Beckwith D24/192
- D651,313 S * 12/2011 Habegger D24/140
- D703,329 S * 4/2014 Worcester D24/185
- D722,382 S * 2/2015 Lee D24/192
- D732,678 S * 6/2015 Hanson D24/200

FOREIGN PATENT DOCUMENTS

- GB 1415732.5 9/2014
- ZA 201301581 1/2013
- ZA 201406589 9/2014

* cited by examiner

Primary Examiner — Rhea Shields

(74) *Attorney, Agent, or Firm* — Workman Nydegger

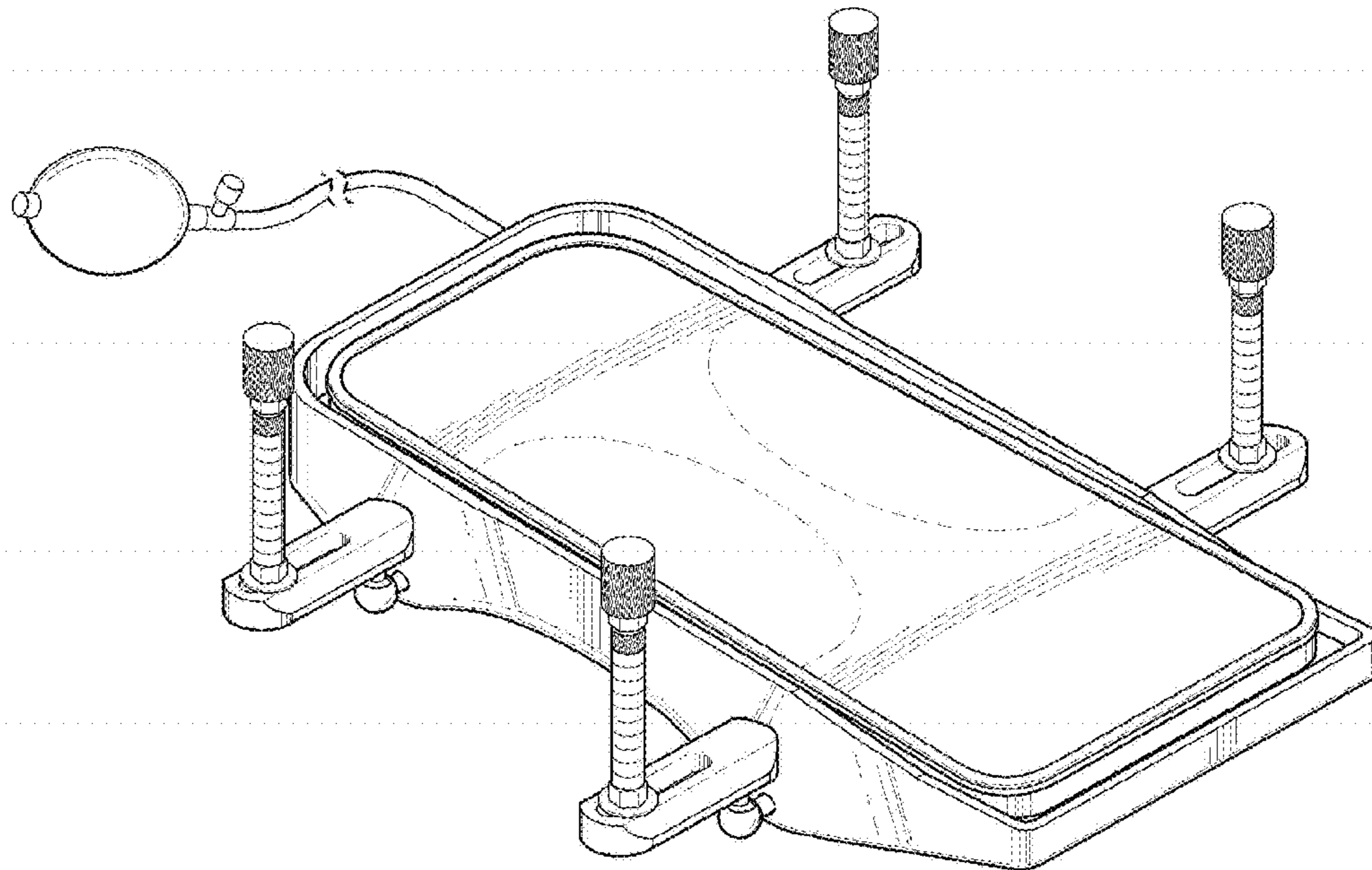
(57) **CLAIM**

An ornamental design for orthopedic foot support, as shown.

DESCRIPTION

FIG. 1 is a front perspective view of the orthopedic foot support, showing our new design; FIG. 2 is a rear perspective view thereof; FIG. 3 is a top plan view thereof; FIG. 4 is a bottom plan view thereof; FIG. 5 is a side view thereof; FIG. 6 is another side view thereof; FIG. 7 is a front view thereof; FIG. 8 is a rear view thereof; and, FIG. 9 is a front perspective view of the orthopedic foot support shown in an environment. The hose of the orthopedic foot support is shown with a symbolic break in its length. The appearance of any portion of the article beyond the break line forms no part of the claimed design. The broken lines in the drawings represent unclaimed subject matter only and form no part of the claimed design.

1 Claim, 7 Drawing Sheets



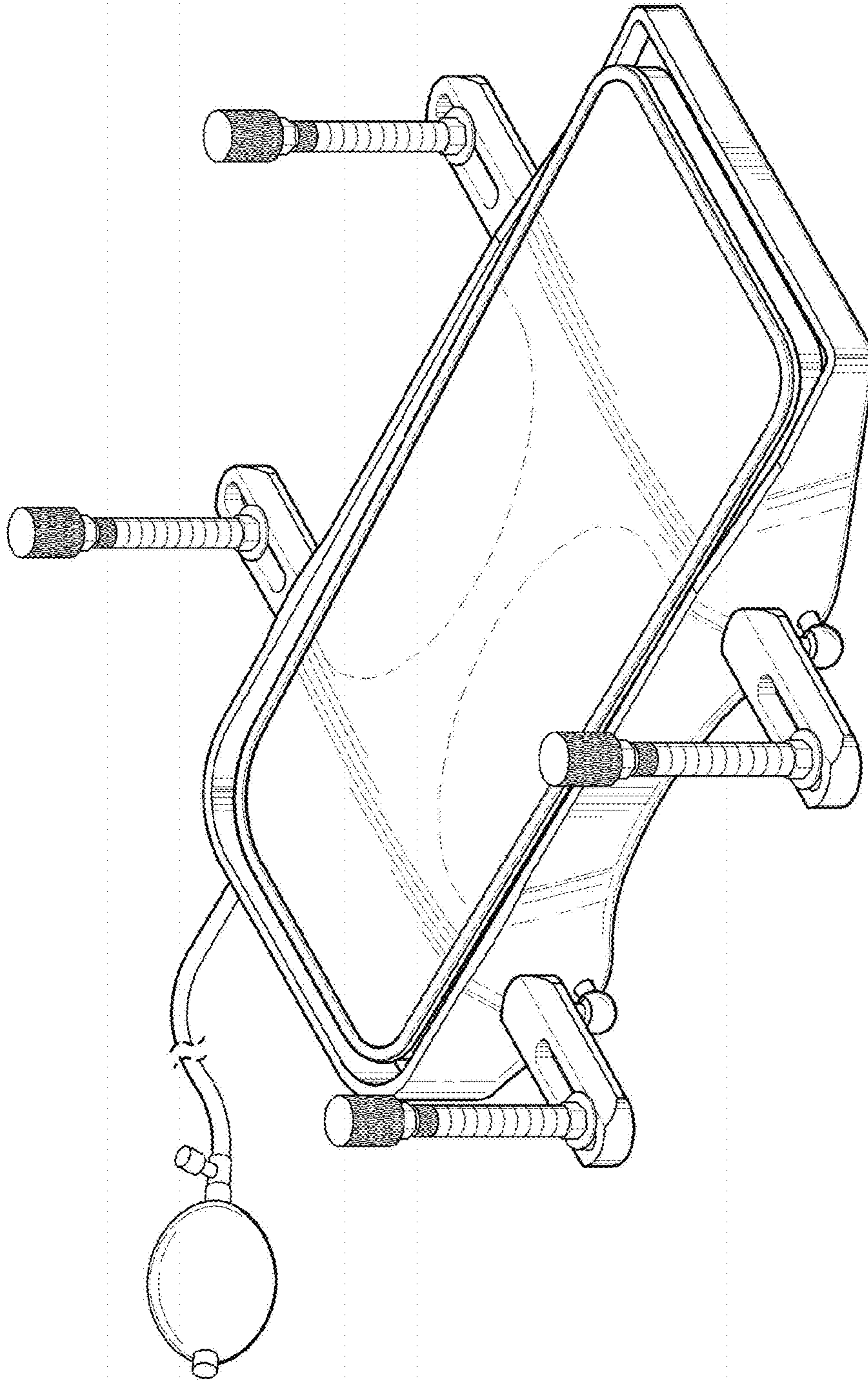


Fig 1

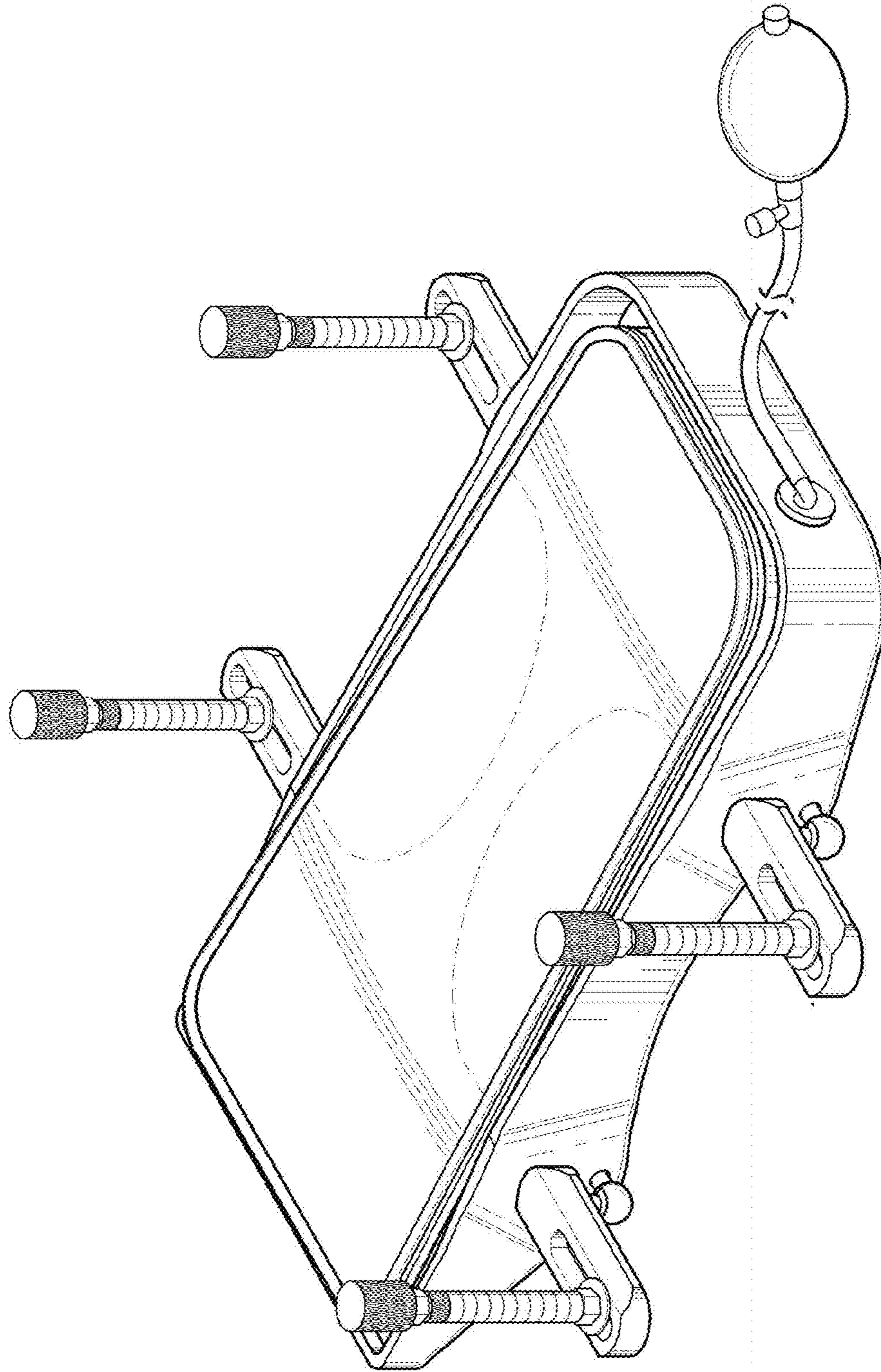


Fig 2

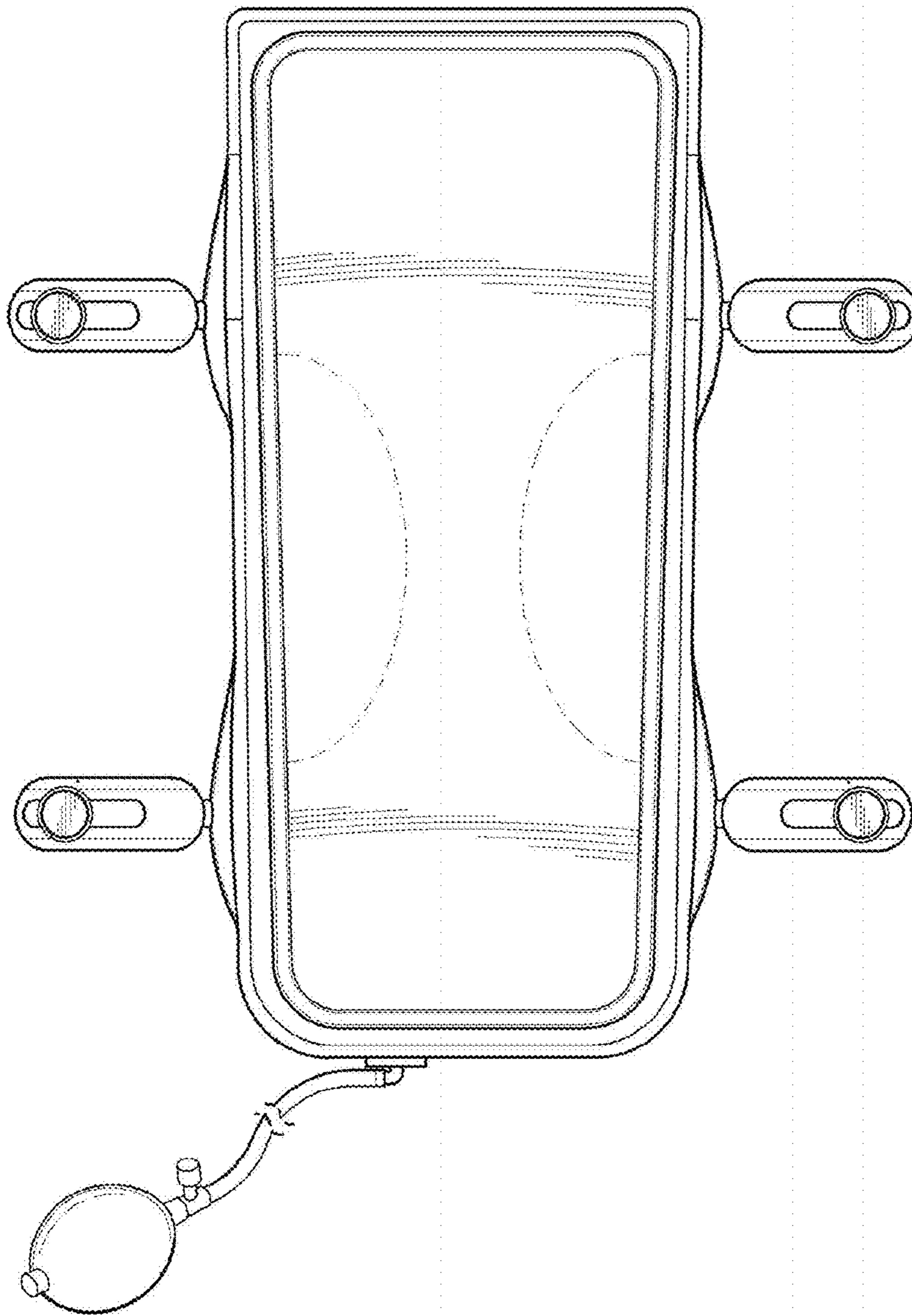


Fig 3

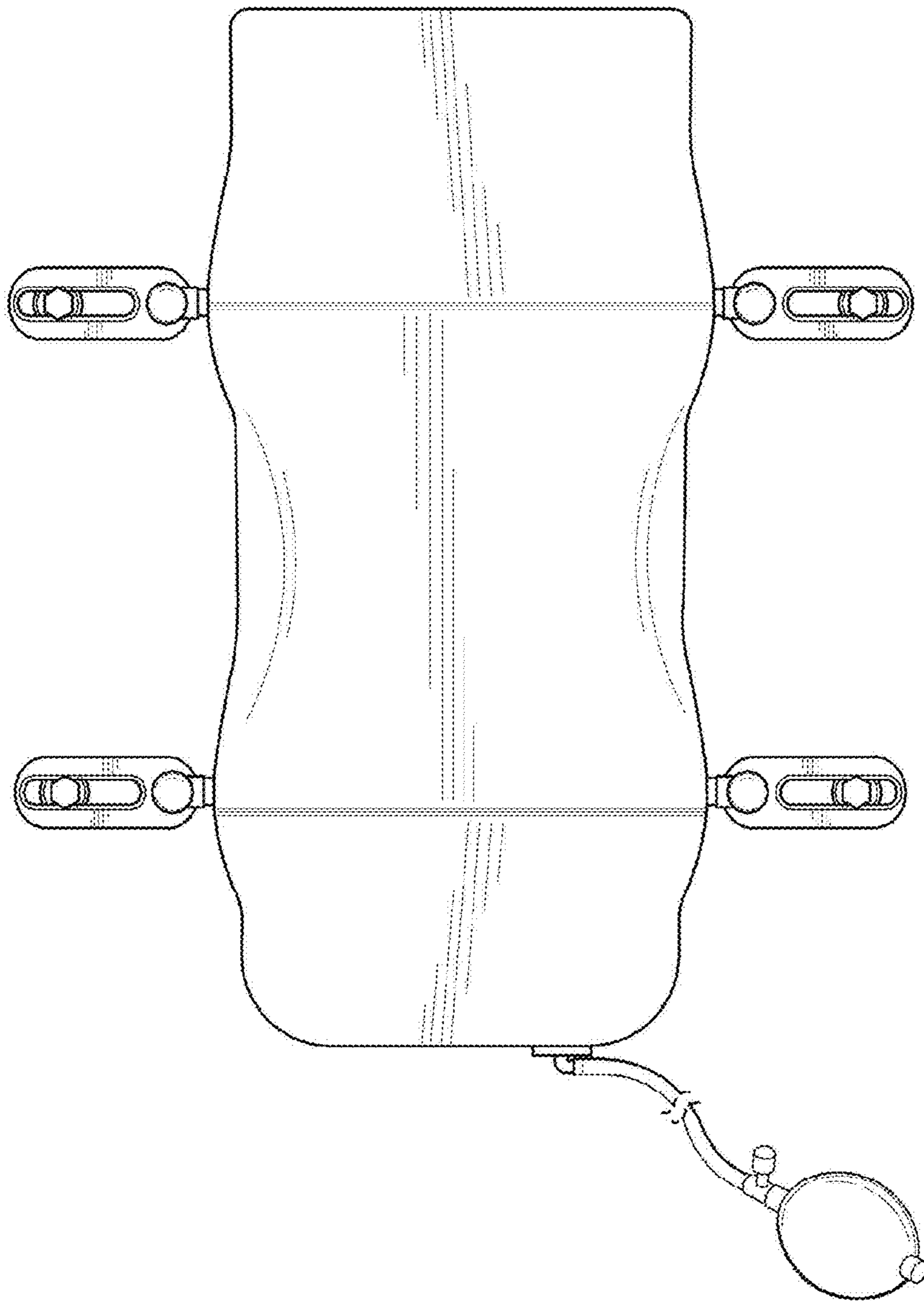


Fig 4

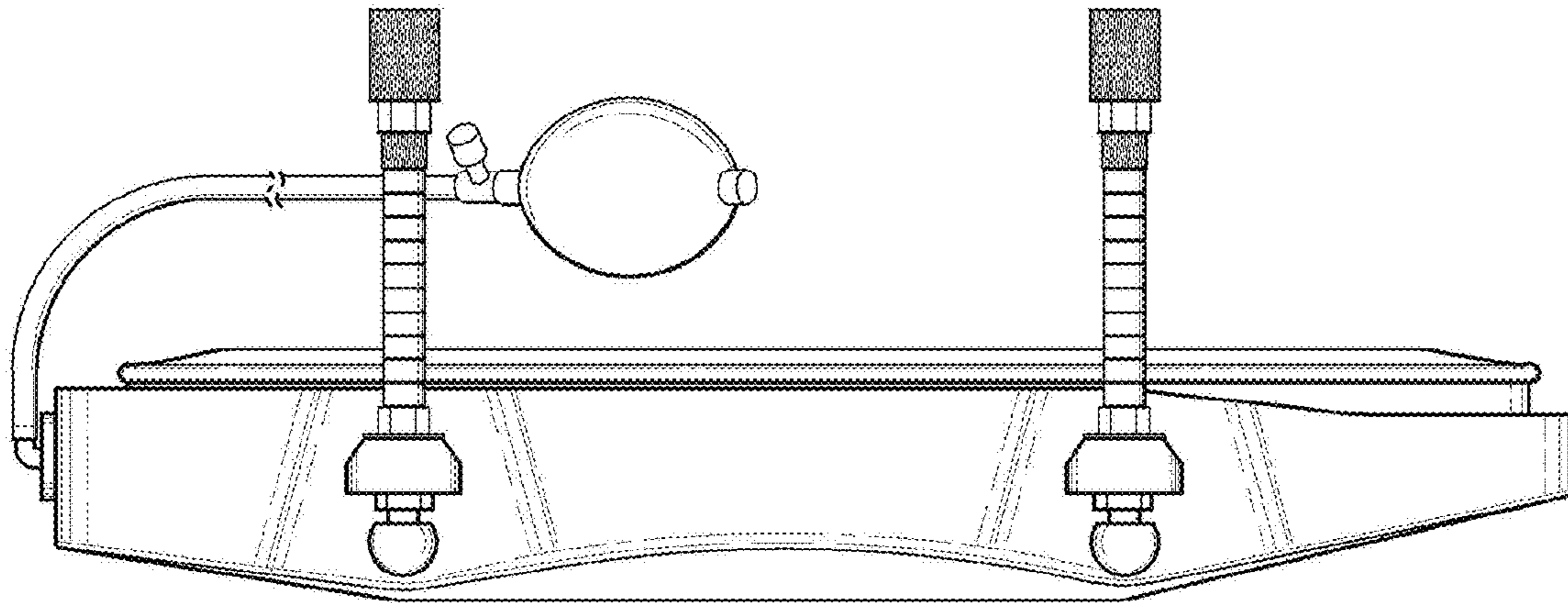


Fig 5

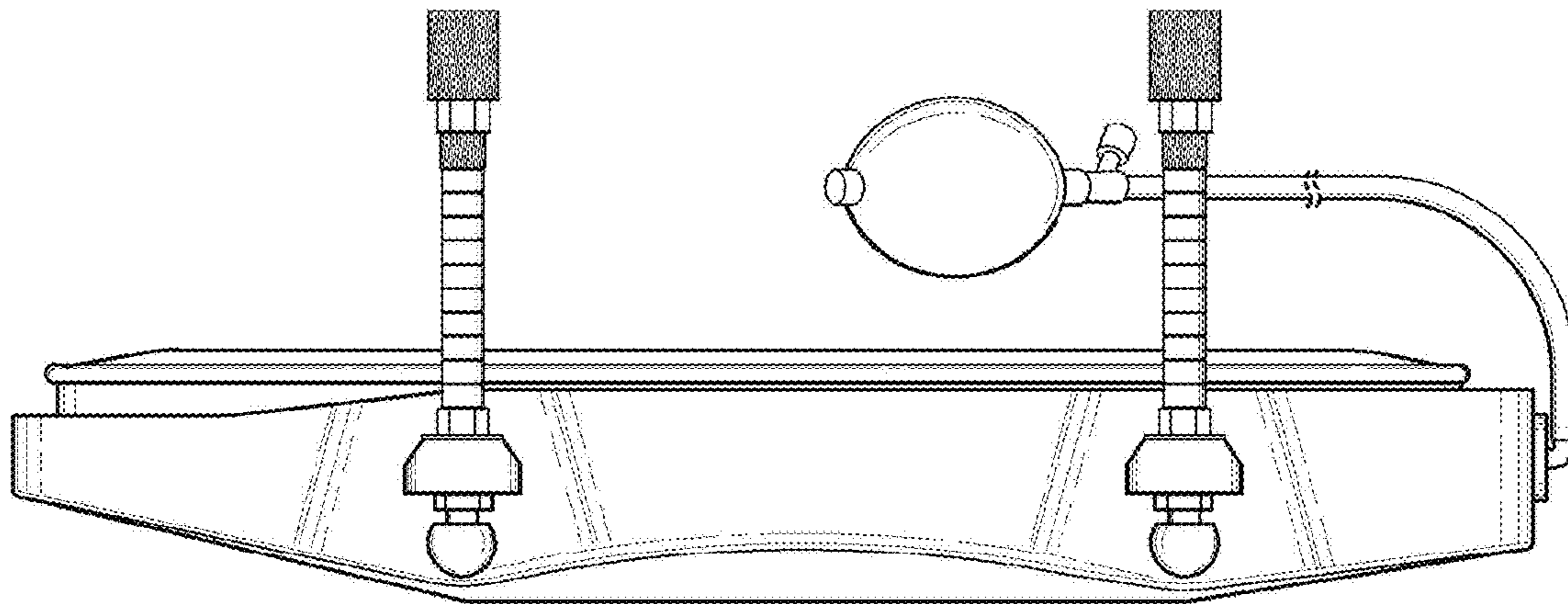


Fig 6

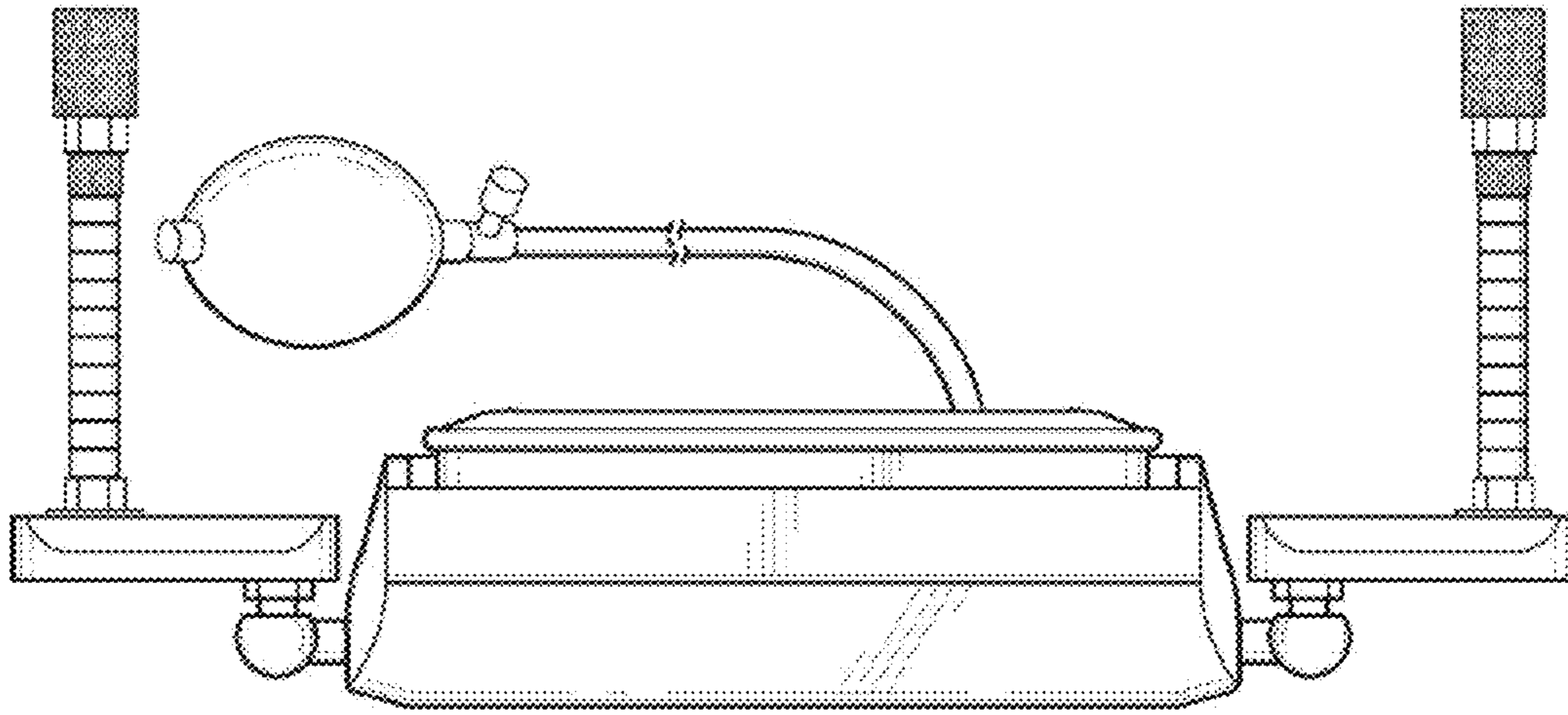


Fig 7

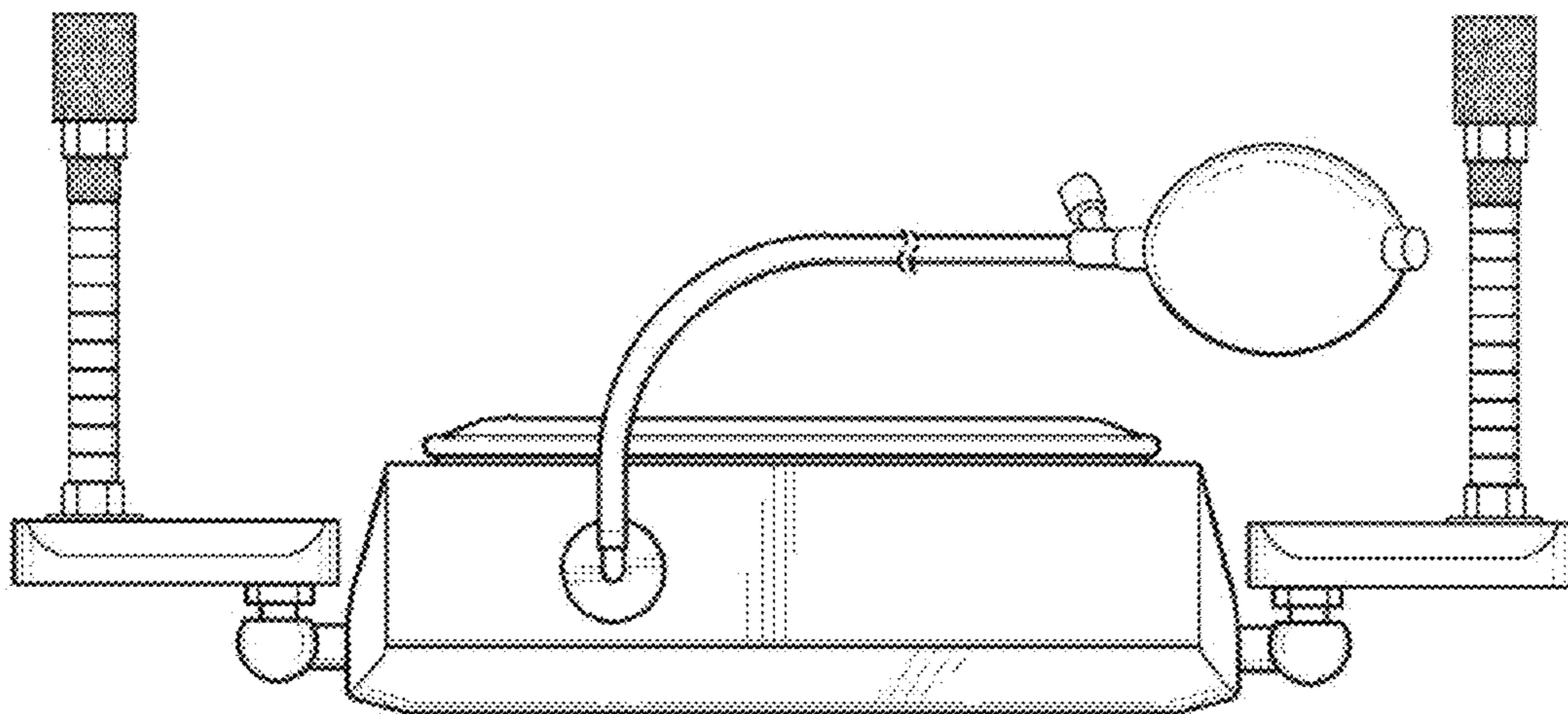


Fig 8

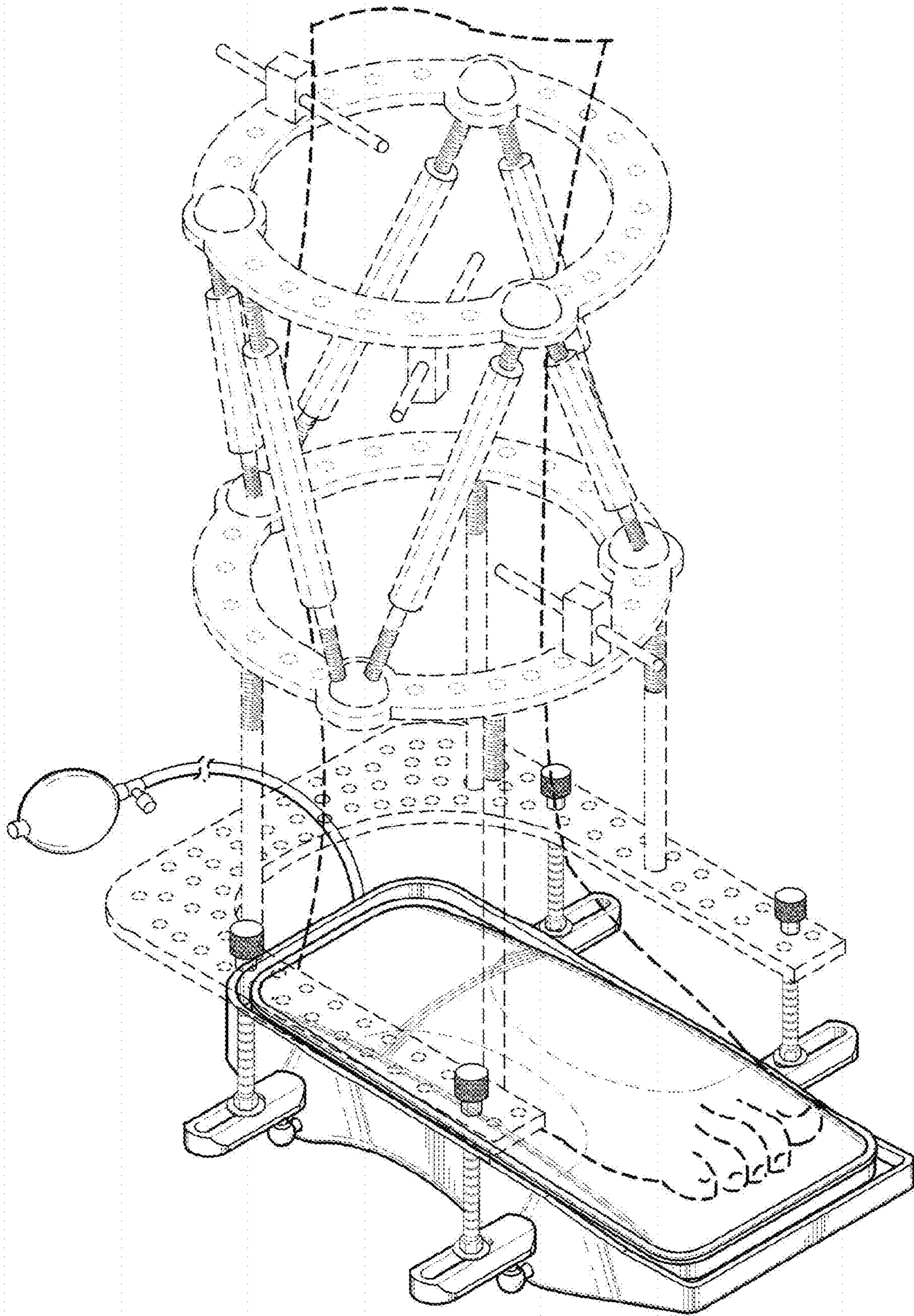


Fig 9