



US00D776279S

(12) **United States Design Patent** (10) **Patent No.:** **US D776,279 S**  
**Newman et al.** (45) **Date of Patent:** **\*\* Jan. 10, 2017**

(54) **MRI COMPATIBLE THERAPEUTIC GAS DELIVERY CART**

OTHER PUBLICATIONS

(71) Applicant: **Mallinckrodt Hospital Products IP Limited**, Mulhuddart (IE)

INOmax DSIR Operation Manual, 2012, Rev-05, IKARIA, inc., Hampton, NJ, USA.

(72) Inventors: **David Newman**, Lebanon, NJ (US);  
**Brian Paap**, McFarland, WI (US);  
**Patrick Sharpe**, Waunakee, WI (US);  
**David Strait**, Madison, WI (US)

*Primary Examiner* — Rhea Shields

(74) *Attorney, Agent, or Firm* — NovoTechIP International PLLC

(73) Assignee: **MALLINCKRODT HOSPITAL PRODUCTS IP LIMITED**, Dublin (IE)

(57) **CLAIM**

We claim the ornamental design for an MRI-compatible therapeutic gas delivery cart, as shown and described.

(\*\*) Term: **15 Years**

**DESCRIPTION**

(21) Appl. No.: **29/544,072**

FIG. 1 is a top, front, and left-side perspective view of an MRI-compatible therapeutic gas delivery cart showing our new design;

(22) Filed: **Oct. 30, 2015**

FIG. 2 is a front elevational view thereof;

(51) **LOC (10) Cl.** ..... **24-00**

FIG. 3 is a rear elevational view thereof;

(52) **U.S. Cl.**

FIG. 4 is a left side elevational view thereof, the right side being a mirror image;

USPC ..... **D24/164**

FIG. 5 is a top plan view thereof;

(58) **Field of Classification Search**

USPC ..... D24/164, 185, 186, 231, 234; 600/300

FIG. 6 is a bottom plan view thereof;

CPC ..... G06F 19/3462

FIG. 7 is a bottom, front, and right-side perspective view thereof;

See application file for complete search history.

FIG. 8 is a top, rear, and left-side perspective view thereof;  
FIG. 9 is a bottom, rear, and right-side perspective view thereof; and,

(56) **References Cited**

U.S. PATENT DOCUMENTS

4,933,873	A *	6/1990	Kaufman	.....	G06F 19/3462
					600/300
D341,887	S *	11/1993	Sever	.....	D24/164
D436,401	S *	1/2001	Remes	.....	D24/164
D459,477	S *	6/2002	Stocks	.....	D24/164
D606,202	S *	12/2009	Banryu	.....	D24/185
D643,535	S *	8/2011	Ross	.....	D24/164
D657,470	S *	4/2012	Schon	.....	D24/186
D687,147	S *	7/2013	Yoshida	.....	D24/185
D701,963	S *	4/2014	Abarbanel	.....	D24/164

(Continued)

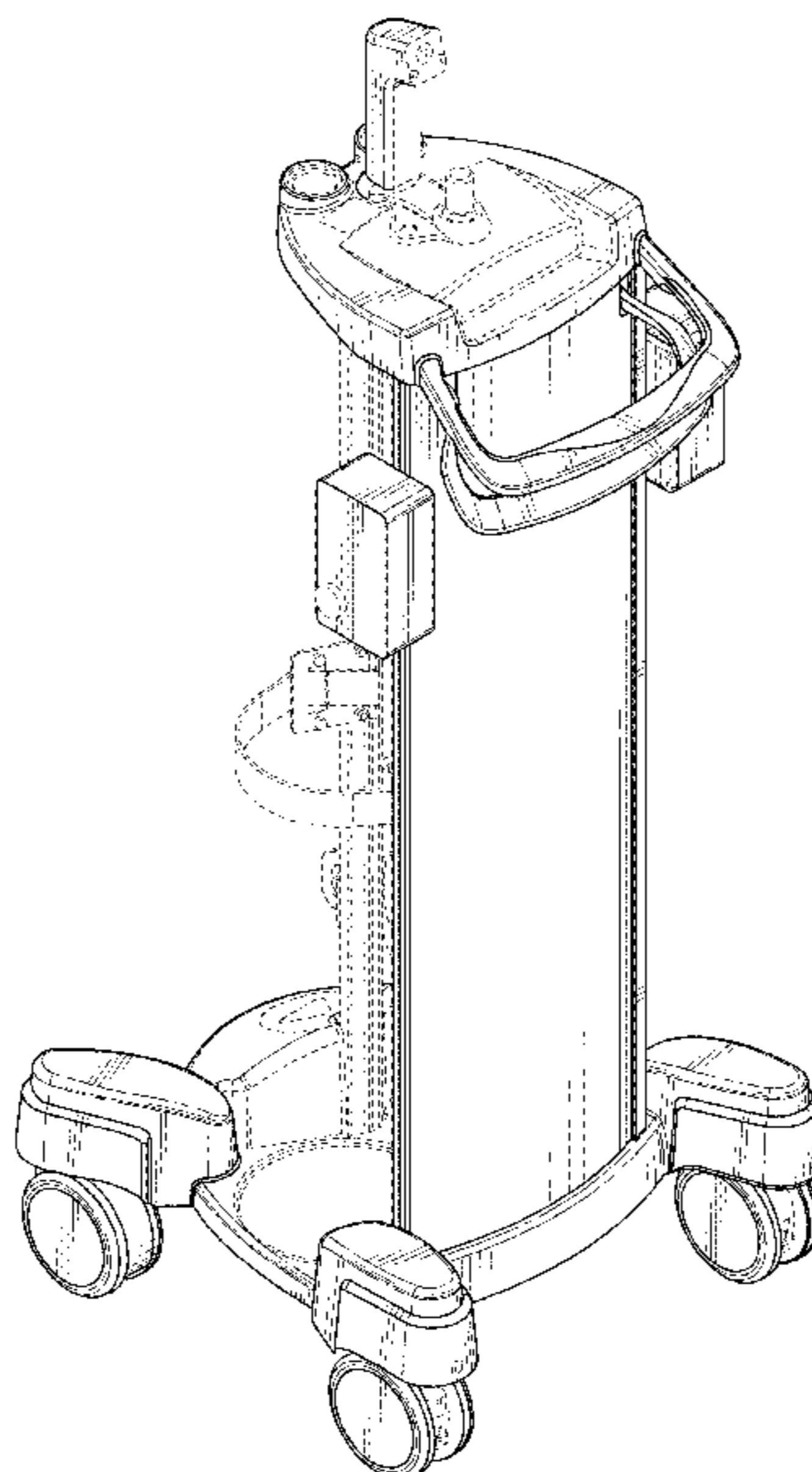
FIG. 10 is another top, front, and left-side perspective view thereof, in which equipment is mounted on the cart in order to illustrate a sample environment.

The broken lines in the figures show portions of the cart which form no part of the claimed design.

The broken line showing of the equipment mounted on the cart in FIG. 10 is for environmental purposes only and forms no part of the claimed design.

Any areas of the cart that are not shown in the drawings form no part of the claimed design.

**1 Claim, 9 Drawing Sheets**



(56)

**References Cited**

U.S. PATENT DOCUMENTS

D702,840 S *	4/2014	Blomquist .....	D24/164
D702,842 S *	4/2014	Hyde .....	D24/185
D729,936 S	5/2015	Reback	
D730,525 S *	5/2015	Acker .....	D24/164

\* cited by examiner

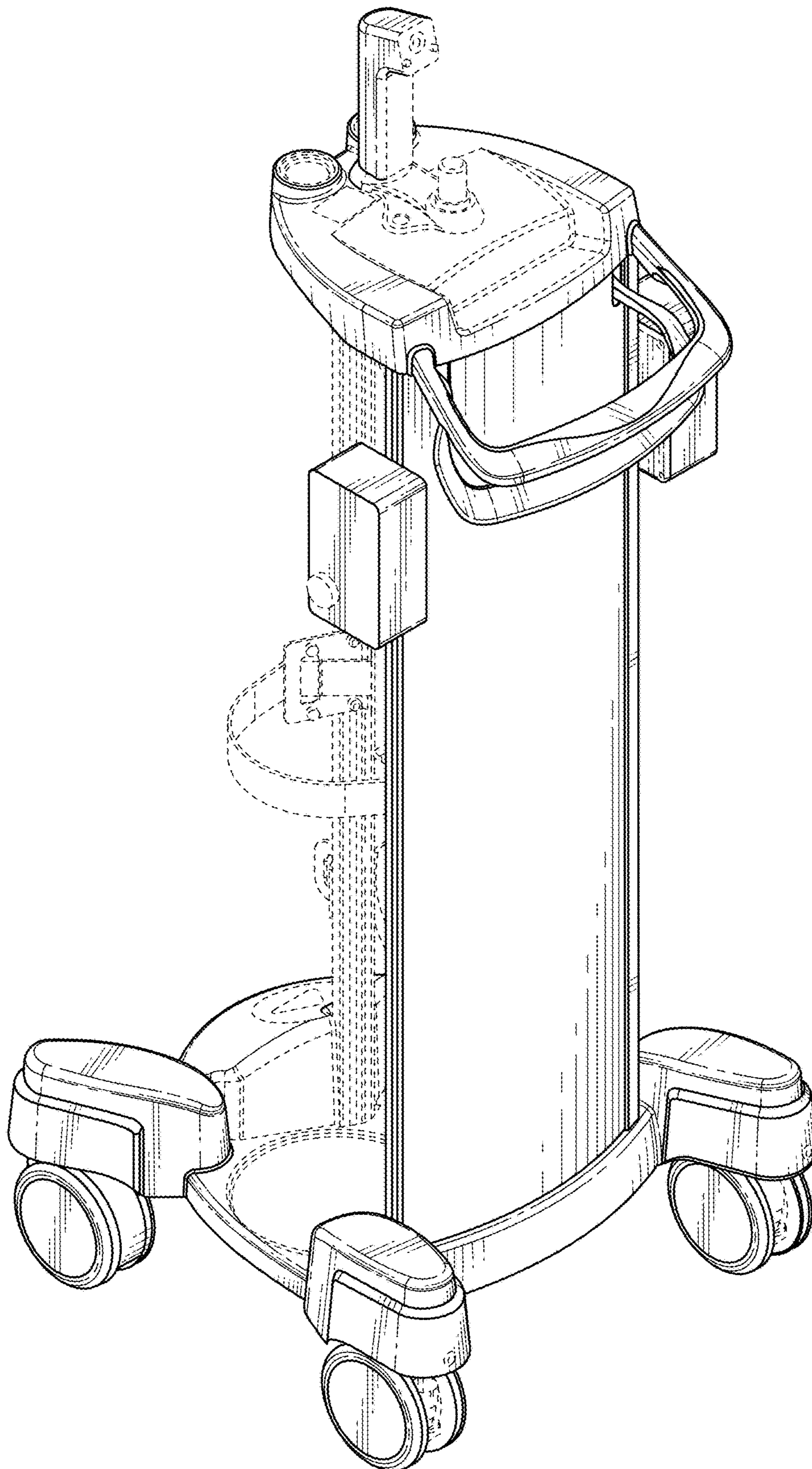


FIG. 1

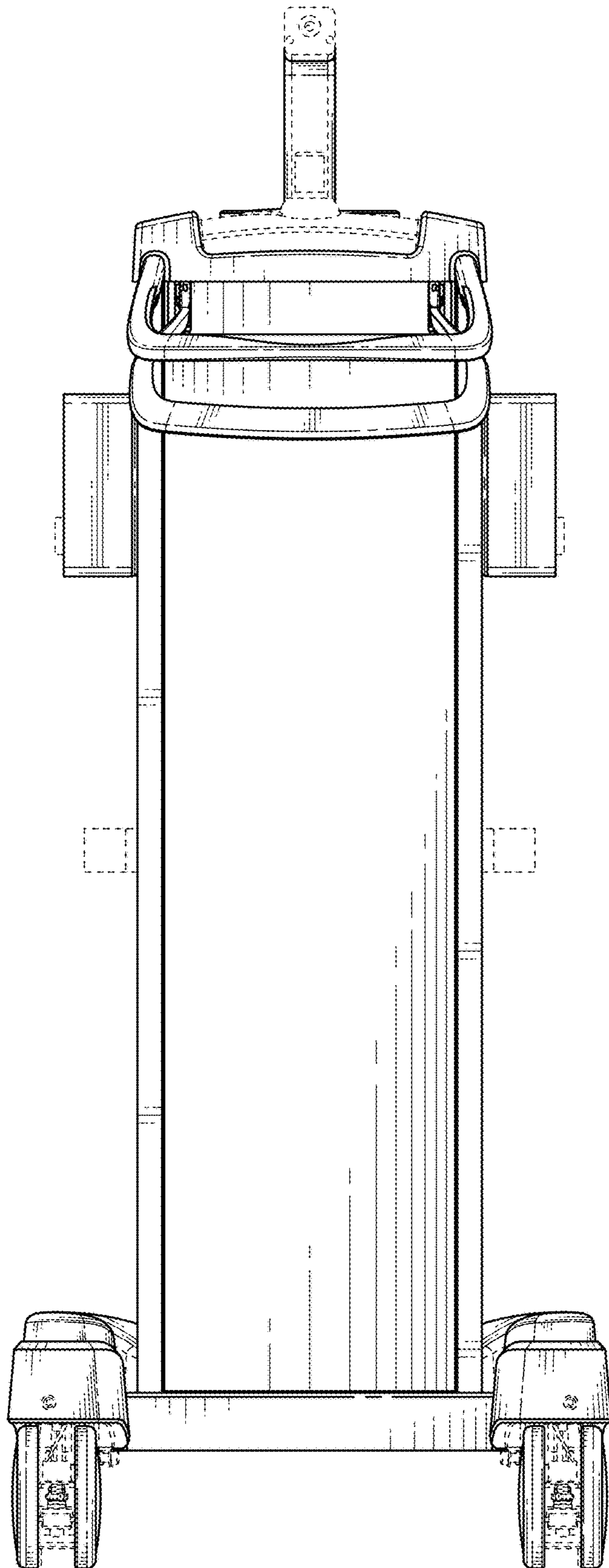


FIG. 2

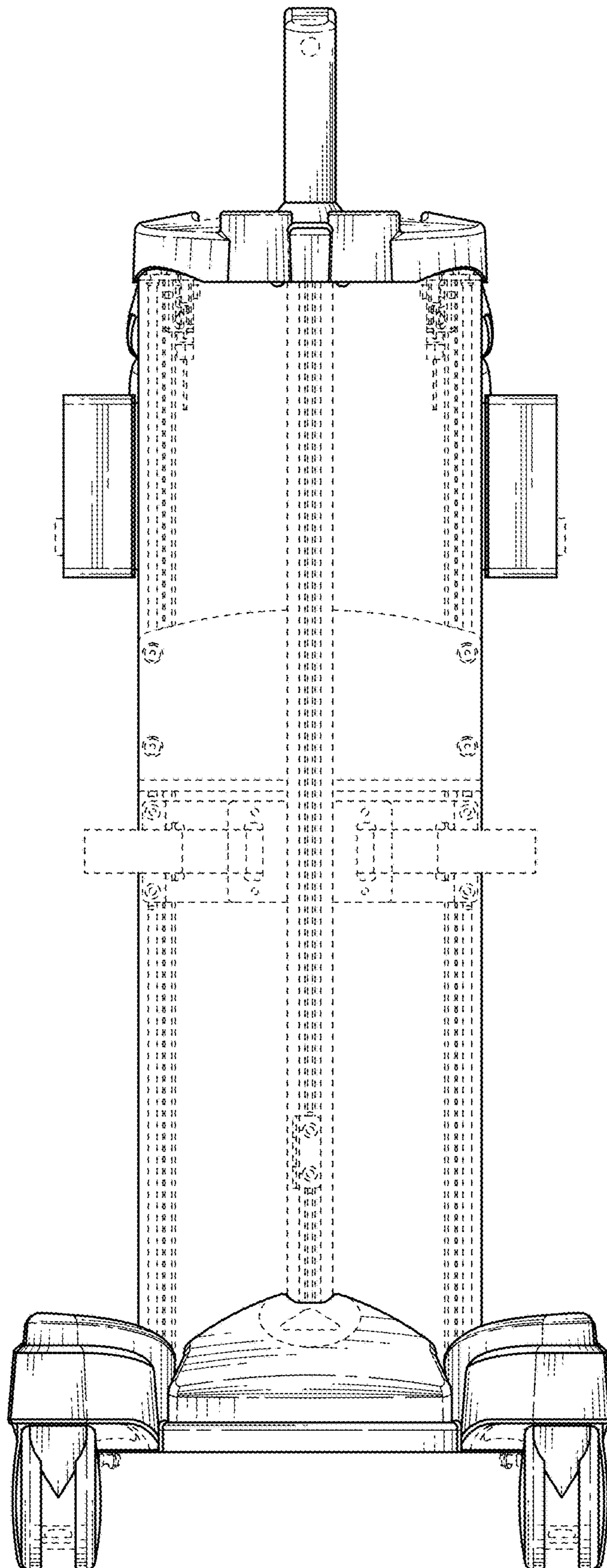


FIG. 3

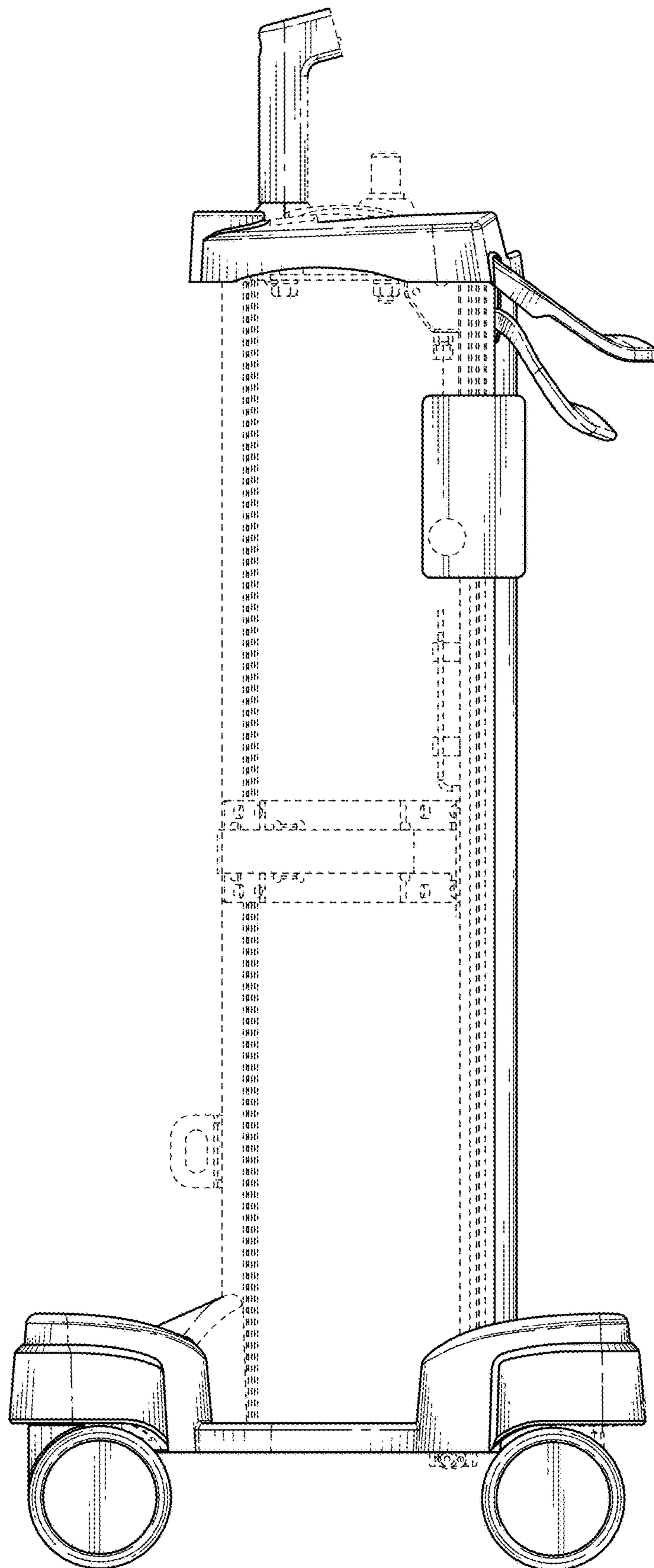


FIG. 4

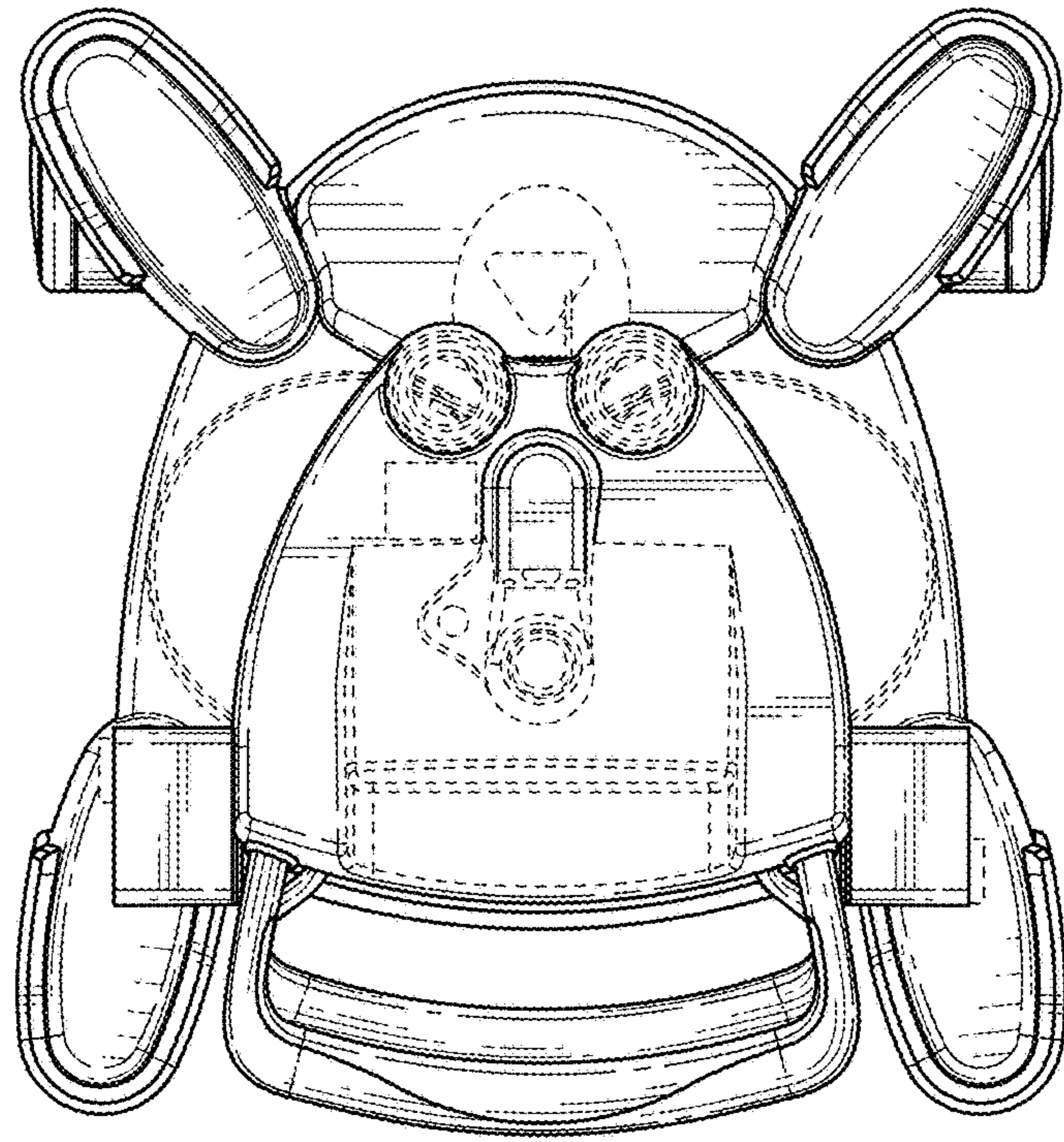


FIG. 5

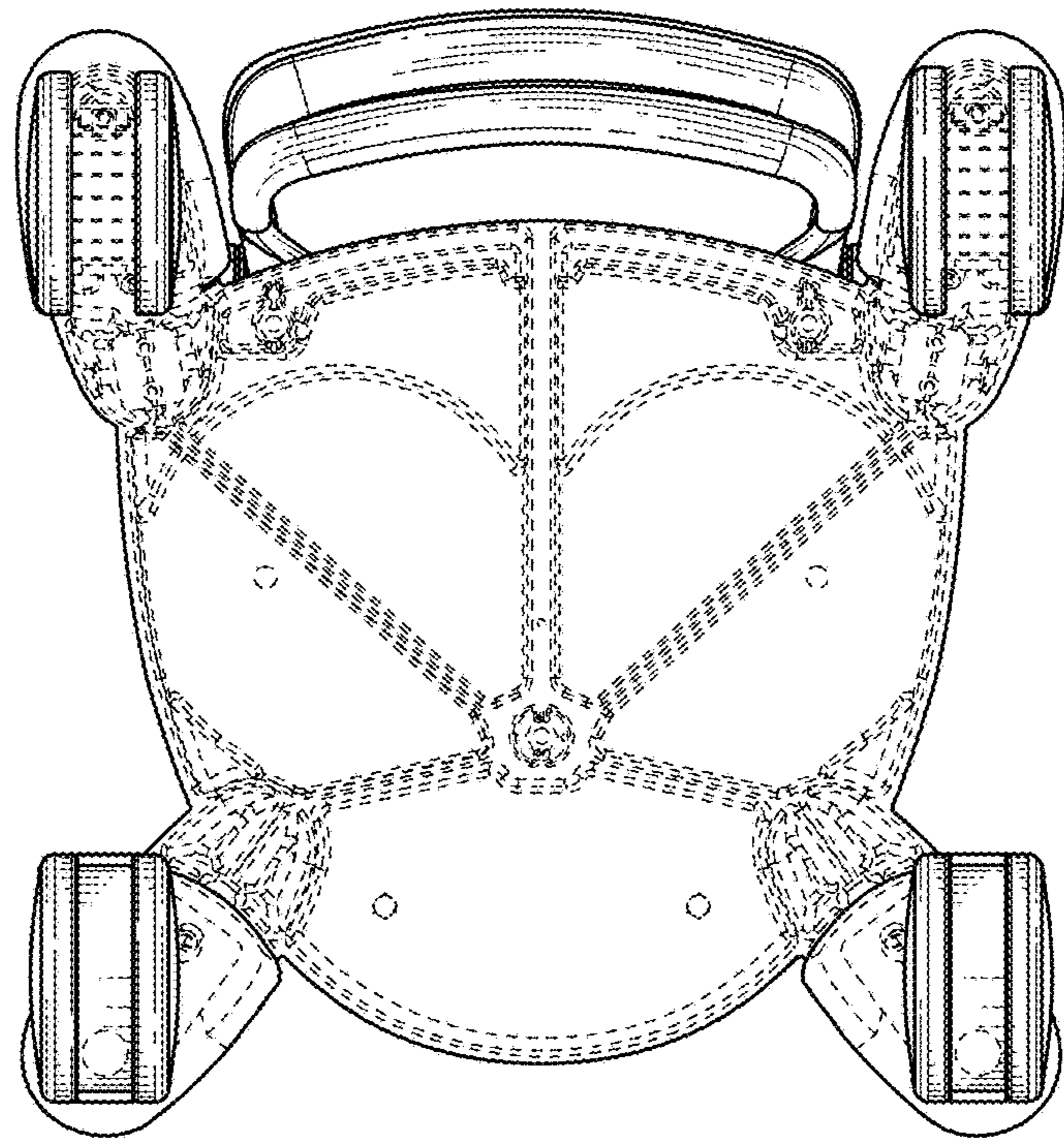


FIG. 6

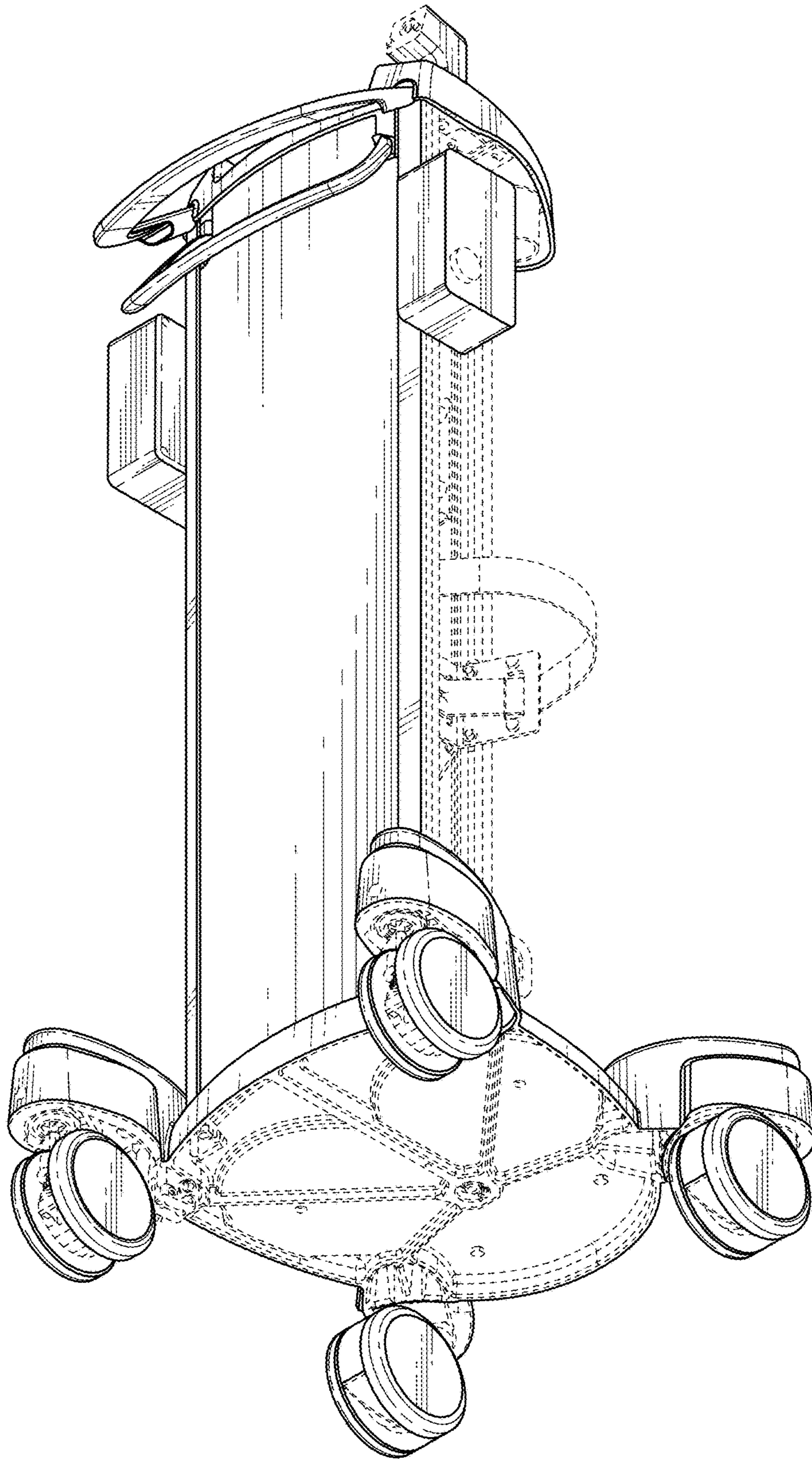


FIG. 7



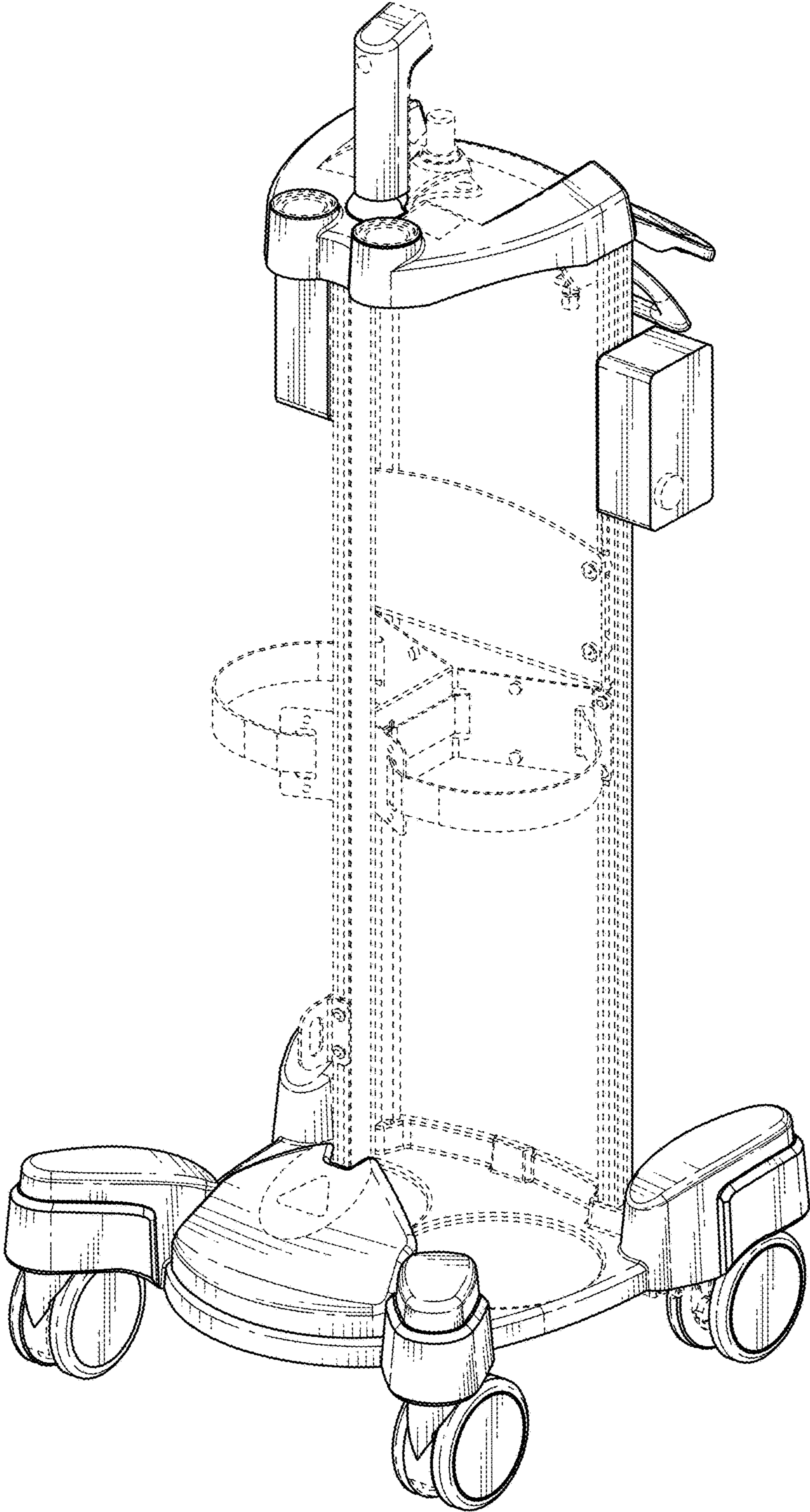


FIG. 8

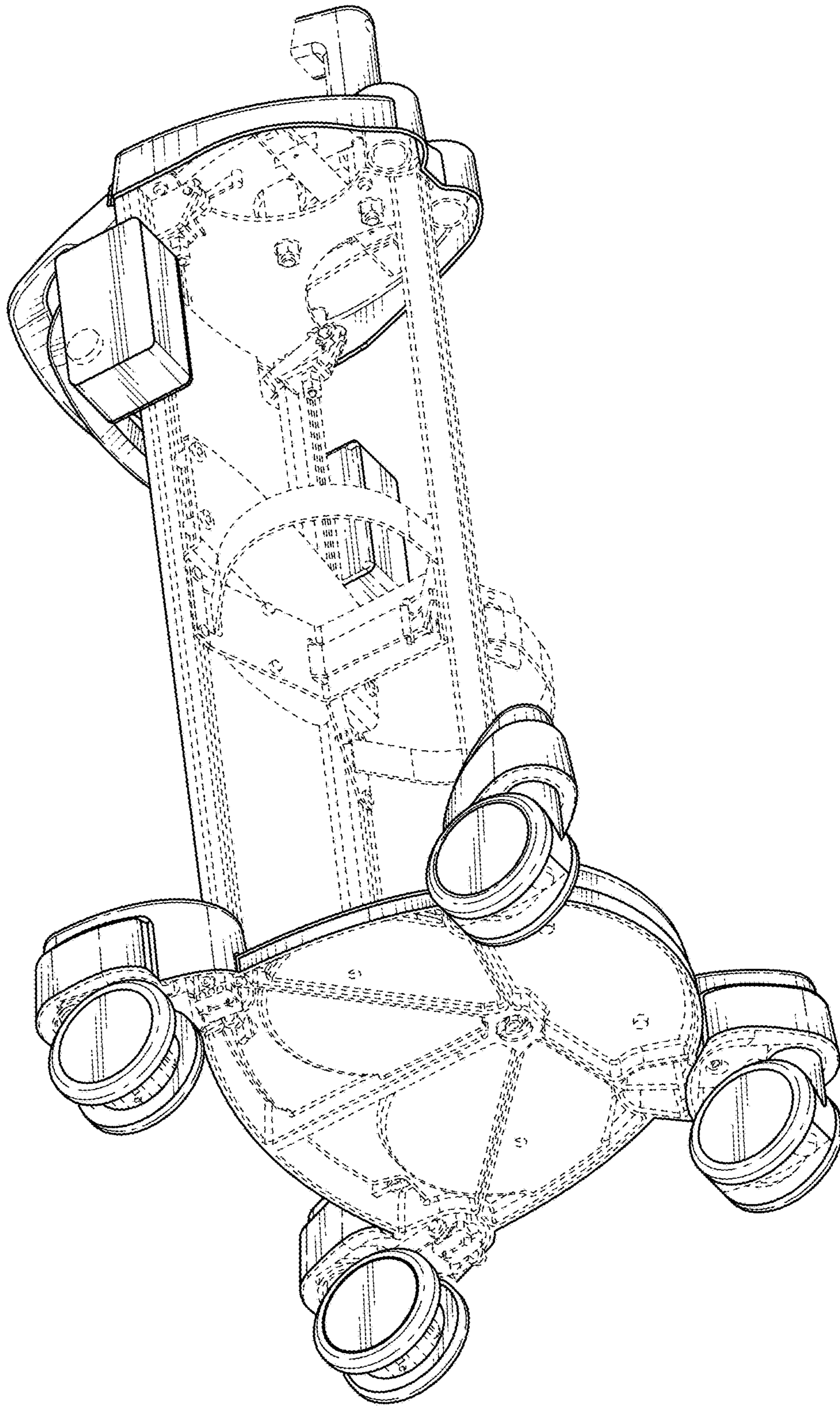


FIG. 9

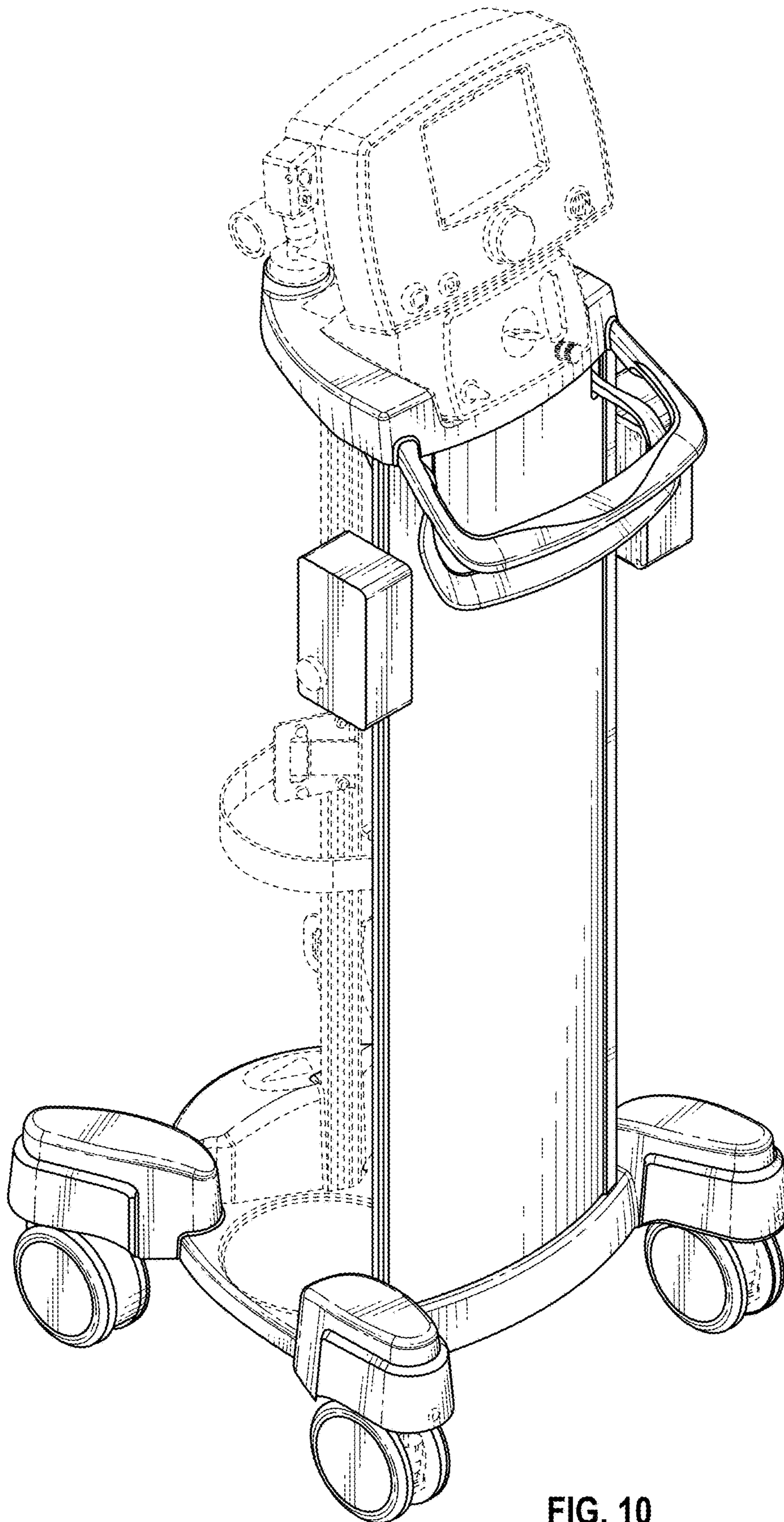


FIG. 10