



US00D776278S

(12) **United States Design Patent**
Newman et al.

(10) **Patent No.:** **US D776,278 S**
(45) **Date of Patent:** **** Jan. 10, 2017**

- (54) **MRI COMPATIBLE THERAPEUTIC GAS INJECTOR MODULE**
- (71) Applicant: **Mallinckrodt Hospital Products IP Limited**, Mulhuddart (IE)
- (72) Inventors: **David Newman**, Lebanon, NJ (US);
Patrick Sharpe, Waunakee, WI (US);
David Strait, Madison, WI (US)
- (73) Assignee: **MALLINCKRODT HOSPITAL PRODUCTS IP LIMITED**, Dublin (IE)
- (**) Term: **15 Years**
- (21) Appl. No.: **29/544,067**
- (22) Filed: **Oct. 30, 2015**
- (51) **LOC (10) Cl.** **24-01**
- (52) **U.S. Cl.**
USPC **D24/164**
- (58) **Field of Classification Search**
USPC D24/164, 110.6, 108, 127, 186;
128/200.24, 207.14, 207.15, 202.16,
128/204.18, 205.24
CPC A61M 16/00; A61M 16/0677; G05D
16/0602; G05D 16/185; G05D 16/103
See application file for complete search history.

- D519,632 S * 4/2006 Bayron D24/110.6
- 7,320,324 B2 * 1/2008 Willeford A61M 16/20
128/200.26
- 7,971,588 B2 * 7/2011 Fink A61K 31/7036
128/200.24
- D659,835 S * 5/2012 Benson D24/164
- 8,720,435 B2 * 5/2014 Gallem A61M 11/005
128/200.14
- D734,854 S * 7/2015 Conner D24/164
- D742,507 S * 11/2015 Miller D24/129

OTHER PUBLICATIONS

INOmax DSIR Operation Manual, 2012, Rev-05, Ikaria, inc., Hampton, NJ, USA.

* cited by examiner

Primary Examiner — David Muller

(74) *Attorney, Agent, or Firm* — NovoTechIP International PLLC

(57) **CLAIM**

We claim the ornamental design for an MRI-compatible therapeutic gas injector module, as shown and described.

DESCRIPTION

FIG. 1 is a top, front, and left-side perspective view of an MRI-compatible therapeutic gas injector module showing our new design;

FIG. 2 is a front elevational view thereof;

FIG. 3 is a rear elevational view thereof;

FIG. 4 is a left side elevational view thereof, the right side being a mirror image;

FIG. 5 is a top plan view thereof;

FIG. 6 is a bottom plan view thereof; and,

FIG. 7 is a bottom, rear, and left-side perspective view thereof.

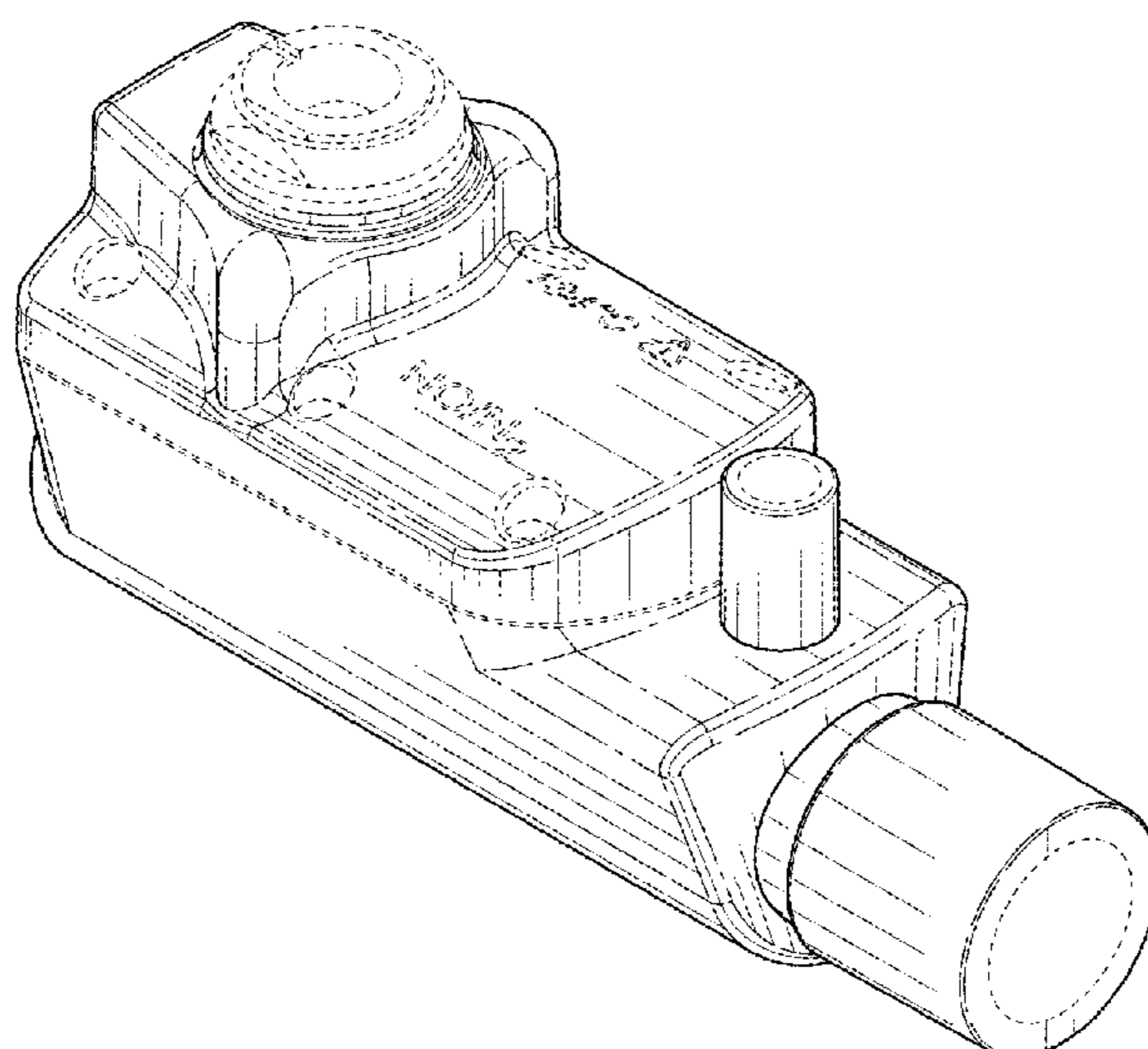
The broken lines in the figures show portions of the injector module which form no part of the claimed design.

1 Claim, 4 Drawing Sheets

(56) **References Cited**

U.S. PATENT DOCUMENTS

- 6,116,242 A * 9/2000 Frye A61M 16/00
128/205.18
- 6,364,161 B1 * 4/2002 Pryor A61M 16/00
128/204.26
- D469,865 S * 2/2003 Bar-Or D24/108
- 6,588,421 B1 * 7/2003 Diehl A61M 16/12
128/201.13
- D495,049 S * 8/2004 Austin D24/110.6
- D497,989 S * 11/2004 Myrick D24/110.6



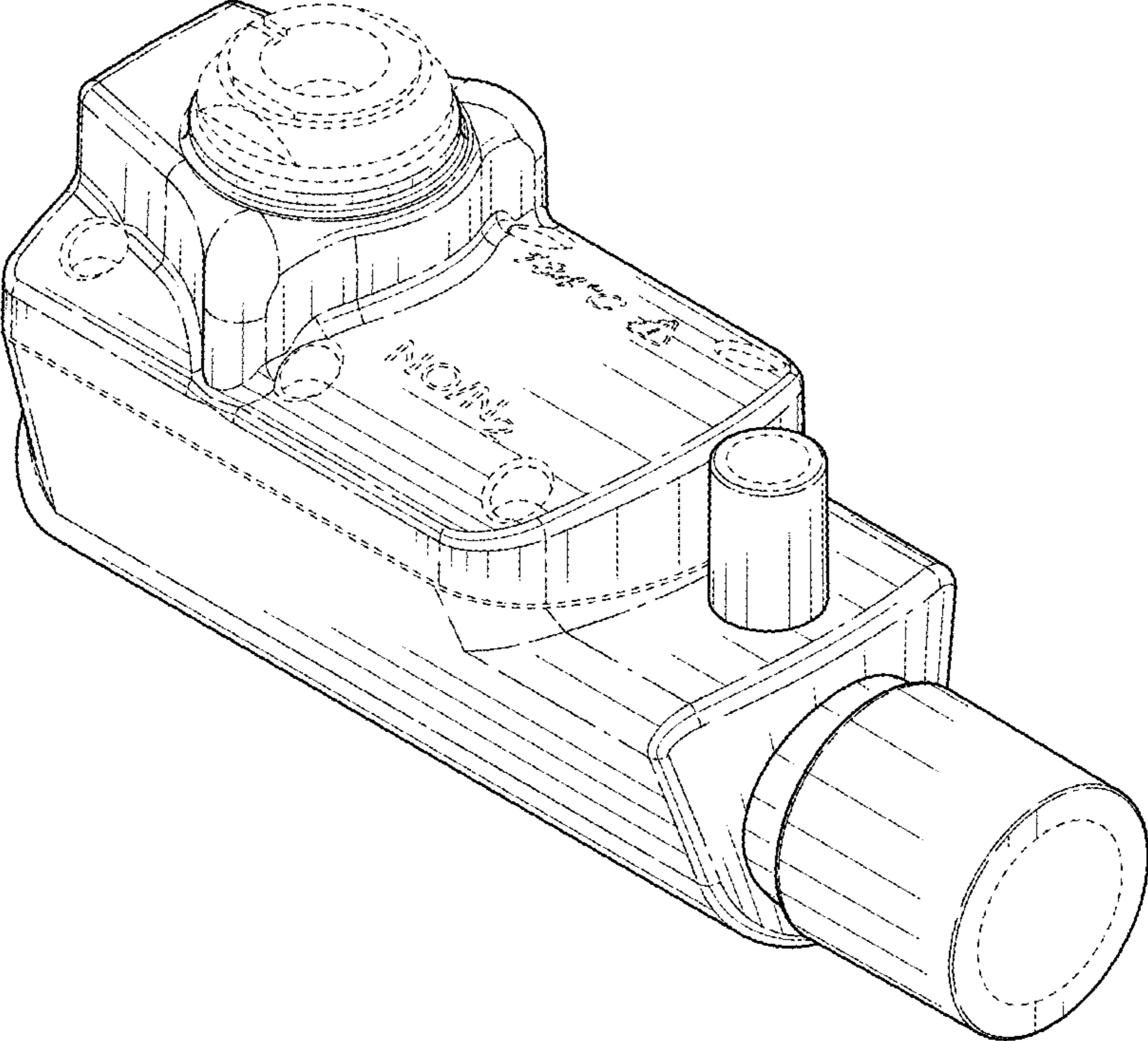


FIG. 1

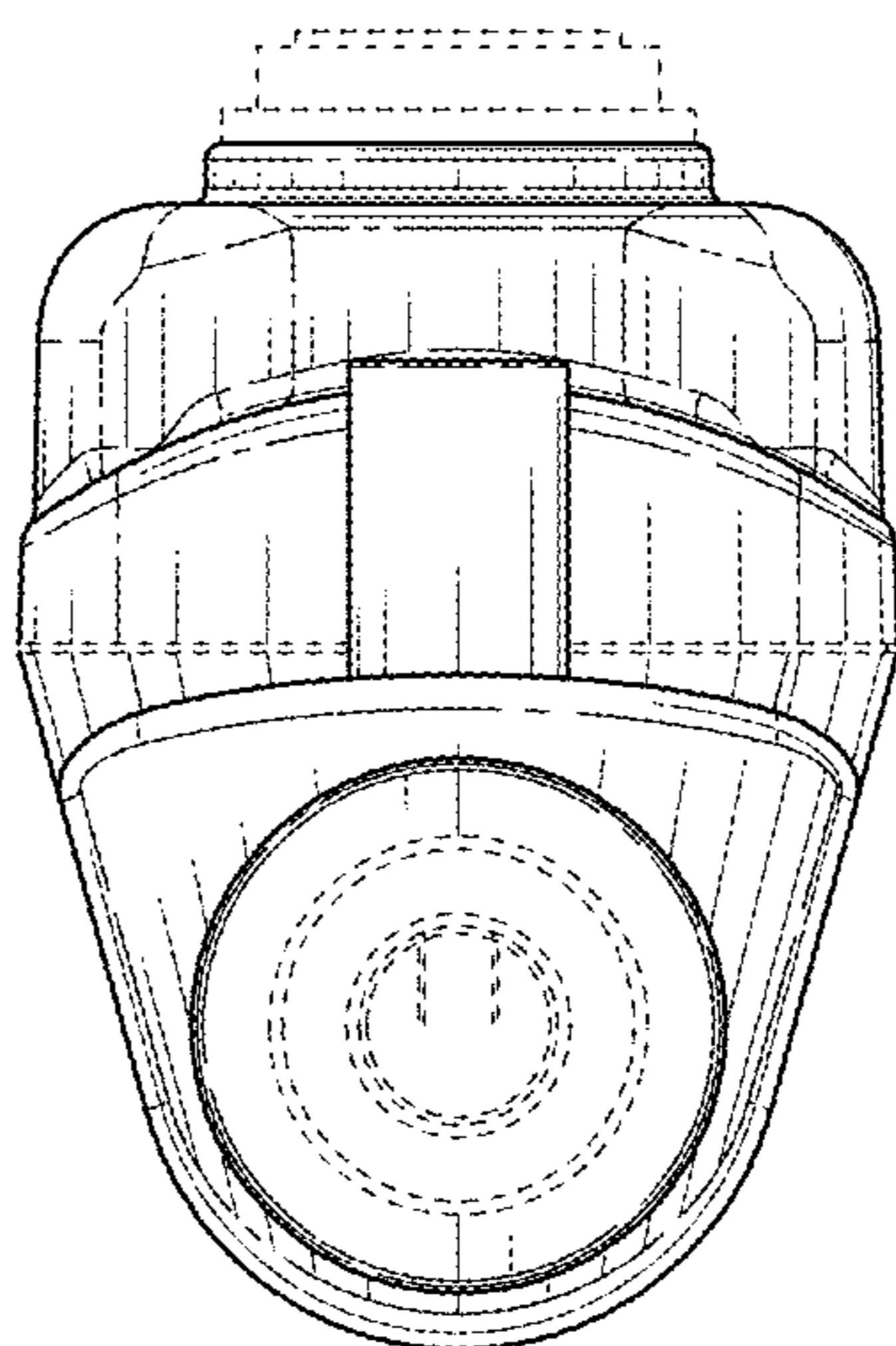


FIG. 2

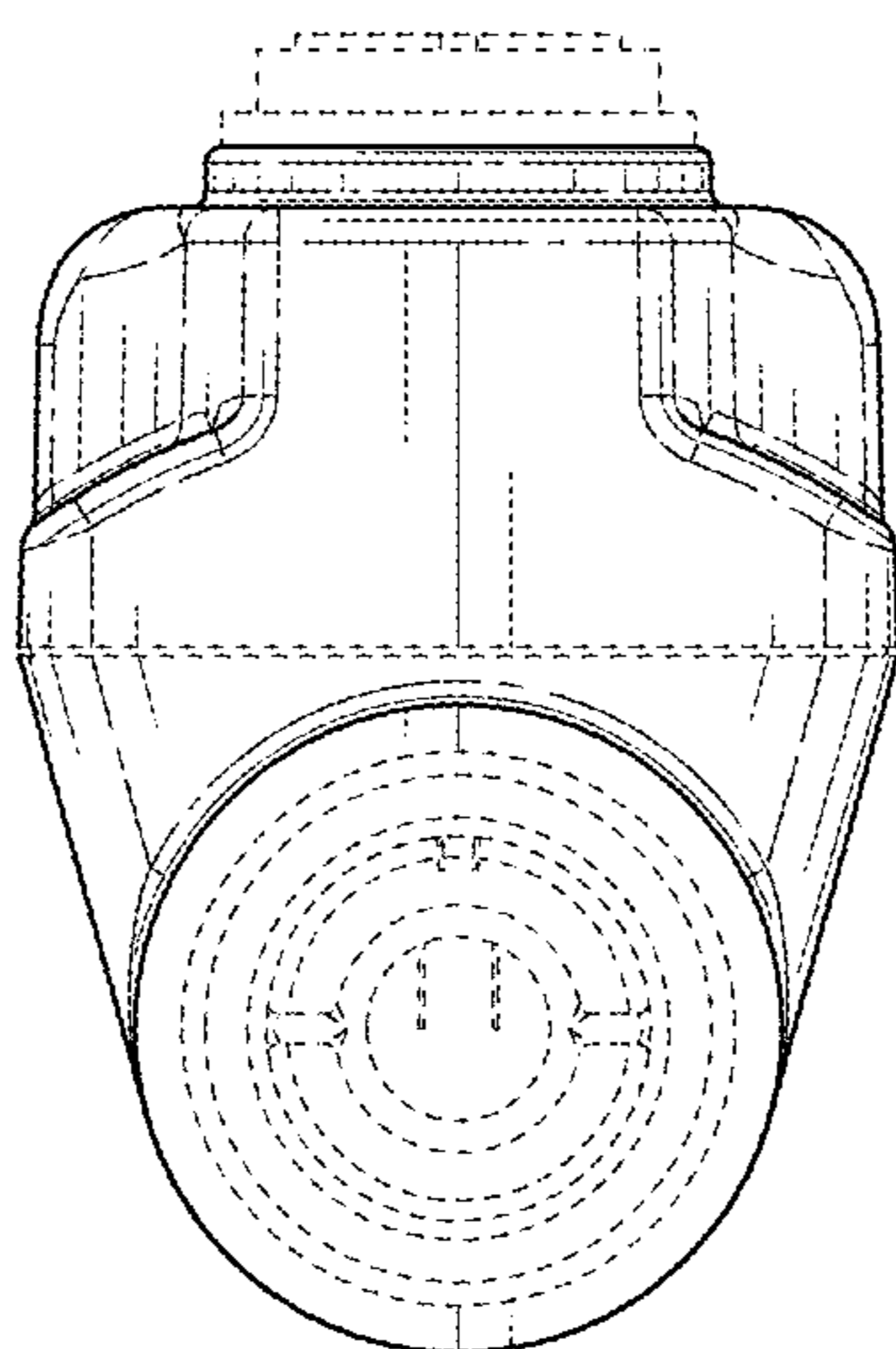


FIG. 3

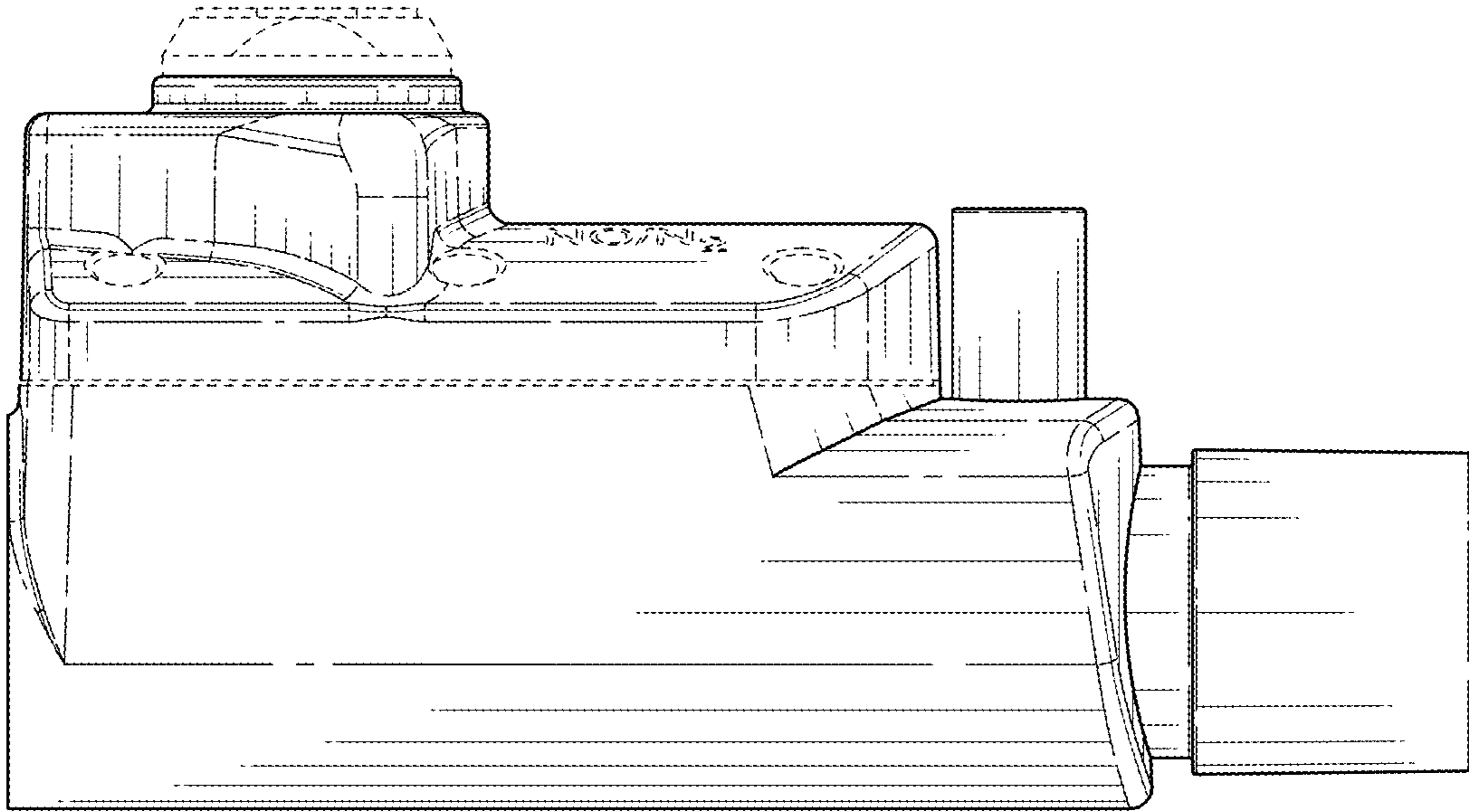


FIG. 4

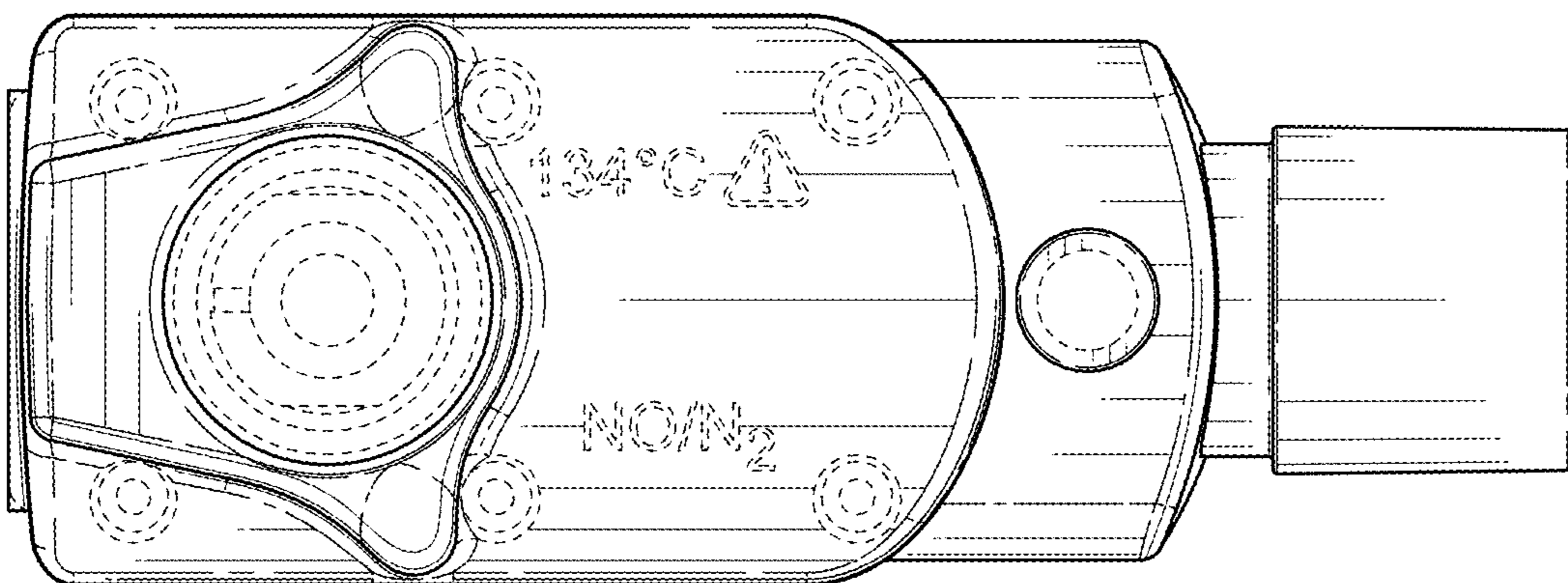


FIG. 5

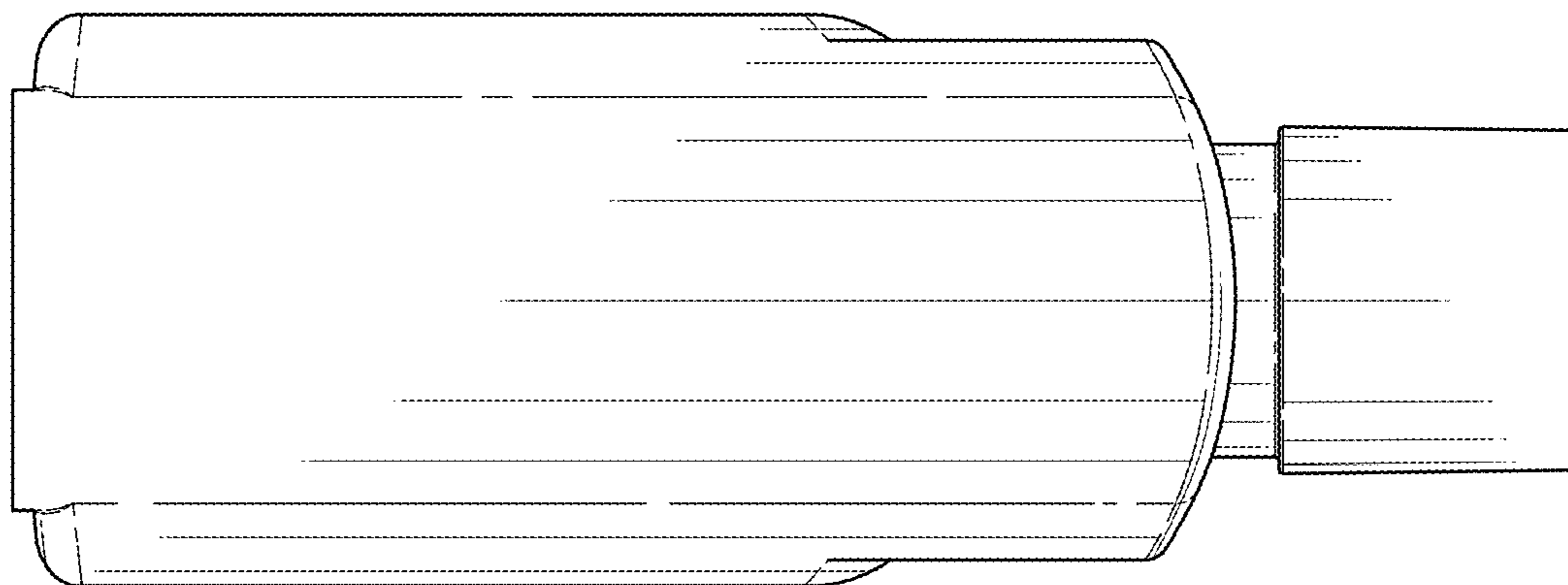


FIG. 6

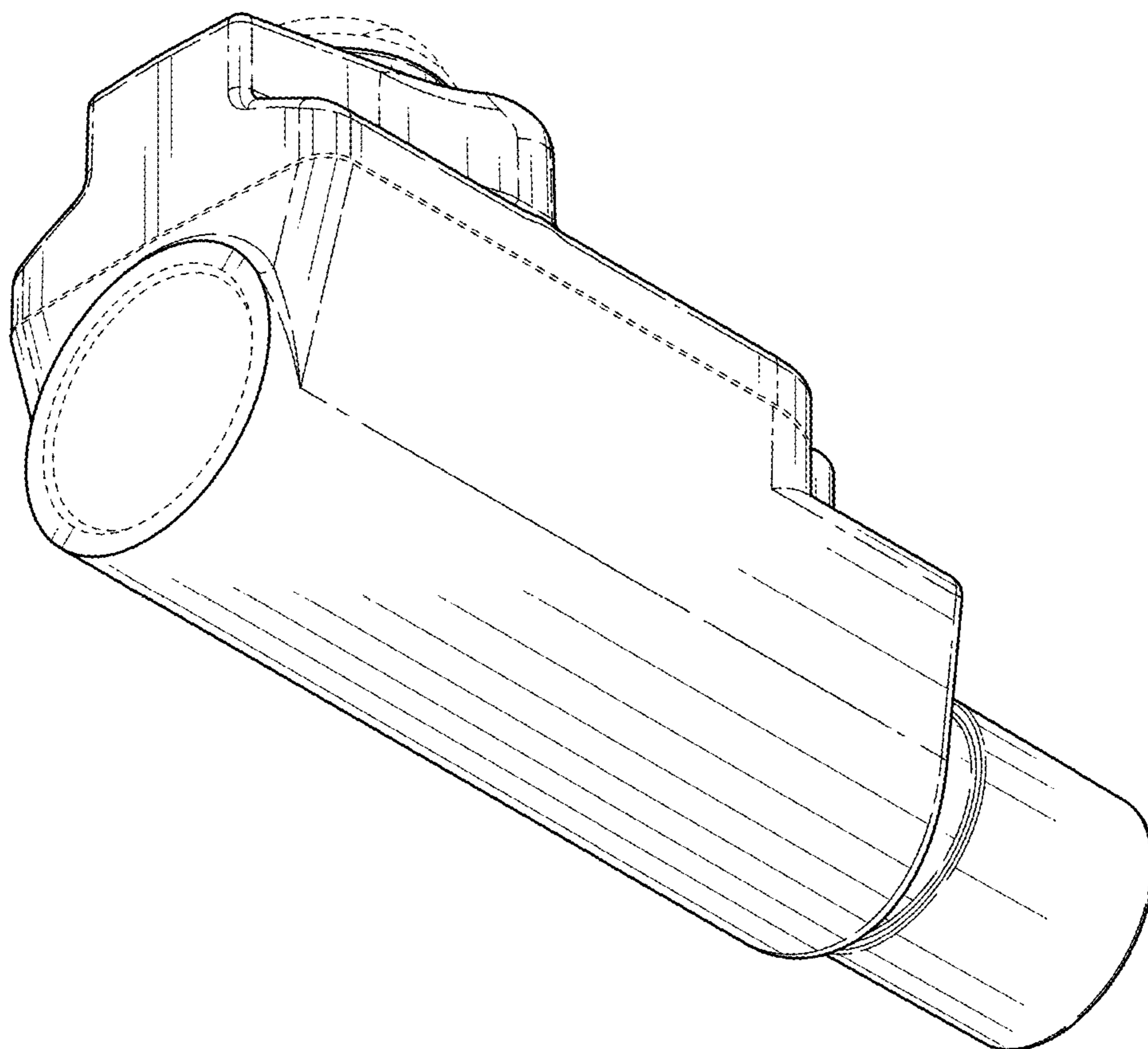


FIG. 7