



US00D776277S

(12) **United States Design Patent**
Prendergast

(10) **Patent No.:** **US D776,277 S**
(45) **Date of Patent:** **** Jan. 10, 2017**

(54) **AMNIOTIC MEMBRANE PERFORATOR**

(71) Applicant: **Kate Anne Prendergast**, Brooklyn, NY
(US)

(72) Inventor: **Kate Anne Prendergast**, Brooklyn, NY
(US)

(**) Term: **14 Years**

(21) Appl. No.: **29/517,809**

(22) Filed: **Feb. 17, 2015**

(51) **LOC (10) Cl.** **24-02**

(52) **U.S. Cl.**
USPC **D24/147**

(58) **Field of Classification Search**
USPC D24/146, 147, 148, 166, 189, 193, 214,
D24/224; 606/125
See application file for complete search history.

(56) **References Cited**

U.S. PATENT DOCUMENTS

80,242	A *	7/1868	Tongue	B26B 3/00
					30/308
D32,846	S *	6/1900	Casselman	30/286
2,635,444	A *	4/1953	Carlson	D04B 3/00
					66/118
2,676,595	A *	4/1954	Dyekjaer	A61D 1/00
					30/353
3,533,411	A *	10/1970	Gilbert	A61B 17/4208
					606/125
5,087,262	A *	2/1992	Sheahon	A61B 17/4208
					604/115
5,968,055	A *	10/1999	Dimitriu	A61B 17/4208
					606/1
6,793,662	B1 *	9/2004	Watermeier	A61B 17/4208
					606/125

(Continued)

Primary Examiner — Ian Simmons
Assistant Examiner — Samantha Q Lawrence

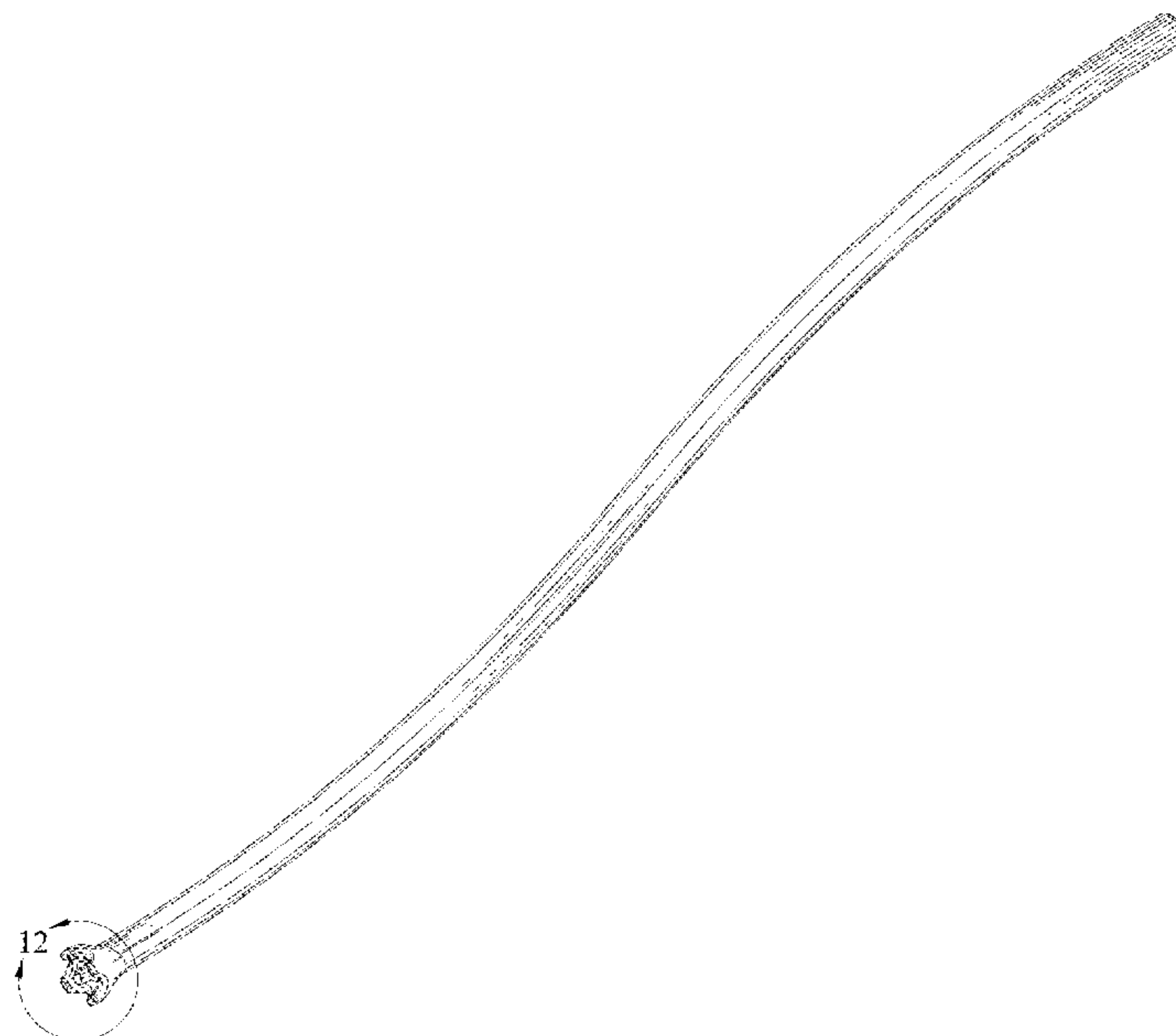
(57) **CLAIM**

The ornamental design for an amniotic membrane perforator, as shown and described.

DESCRIPTION

FIG. 1 is a top front perspective view of an amniotic membrane perforator;
 FIG. 2 is a top rear perspective view thereof;
 FIG. 3 is a bottom front perspective view thereof;
 FIG. 4 is a bottom rear perspective view thereof;
 FIG. 5 is a front view thereof;
 FIG. 6 is a rear view thereof;
 FIG. 7 is a left view thereof;
 FIG. 8 is a right view thereof;
 FIG. 9 is a top view thereof;
 FIG. 10 is a bottom view thereof;
 FIG. 11 is a side cross-sectional view thereof taken along line 11-11 of FIG. 9;
 FIG. 12 is a detail perspective view thereof taken with reference to circle 12 of FIG. 1;
 FIG. 13 is a detail perspective view thereof taken with reference to circle 13 of FIG. 2;
 FIG. 14 is a detail perspective view thereof taken with reference to circle 14 of FIG. 3;
 FIG. 15 is a detail perspective view thereof taken with reference to circle 15 of FIG. 4;
 FIG. 16 is a detail front view thereof taken with reference to circle 16 of FIG. 5;
 FIG. 17 is a detail right view thereof taken with reference to circle 17 of FIG. 8;
 FIG. 18 is a detail bottom view thereof taken with reference to circle 18 of FIG. 10; and,
 FIG. 19 is a detail cross-sectional view thereof taken with reference to circle 19 of FIG. 11.

1 Claim, 19 Drawing Sheets



(56)

References Cited

U.S. PATENT DOCUMENTS

D538,935 S *	3/2007	Eddy	D24/133
D603,046 S *	10/2009	Frey	D24/133
D612,049 S *	3/2010	Baynham	D24/133
D749,730 S *	2/2016	Dietz	D24/146
2015/0223841 A1 *	8/2015	Prendergast	A61B 17/4208 606/125

* cited by examiner

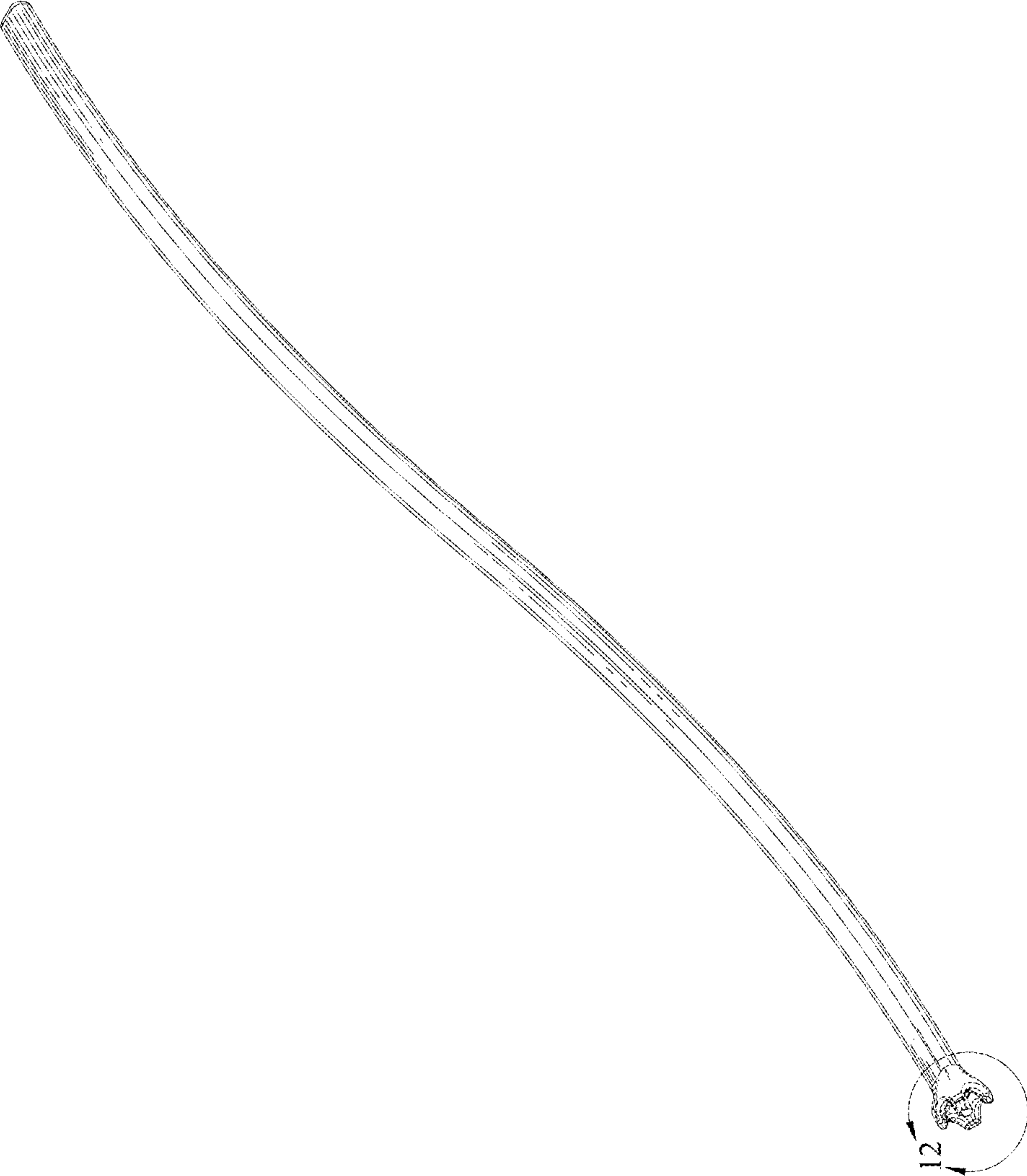


FIG. 1

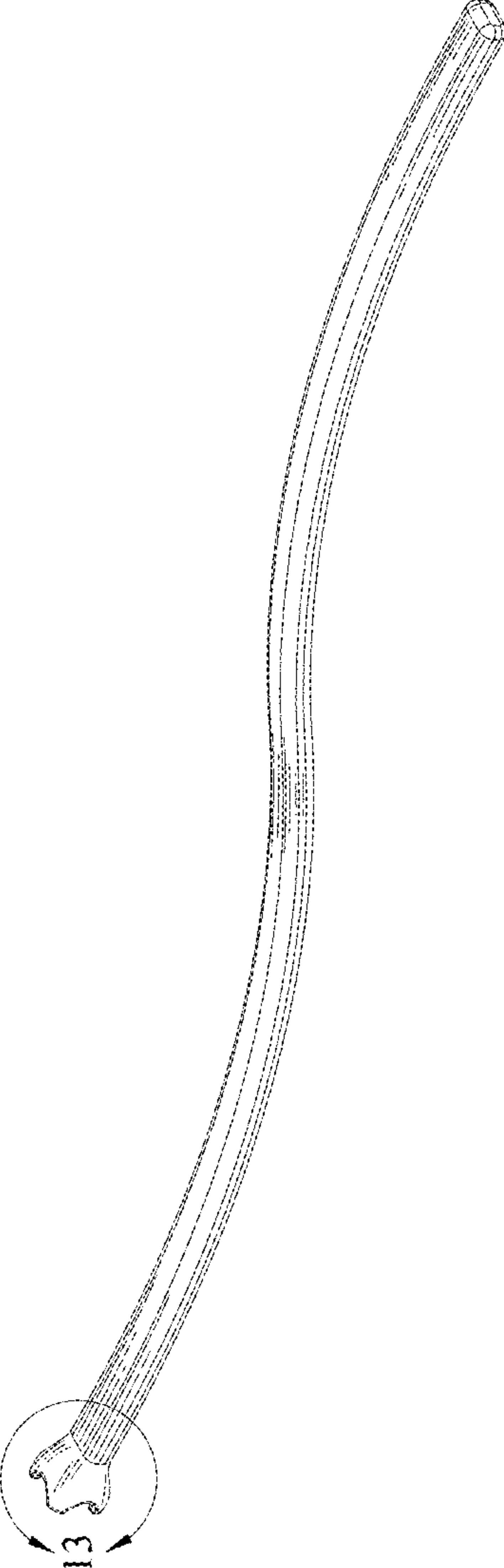


FIG. 2

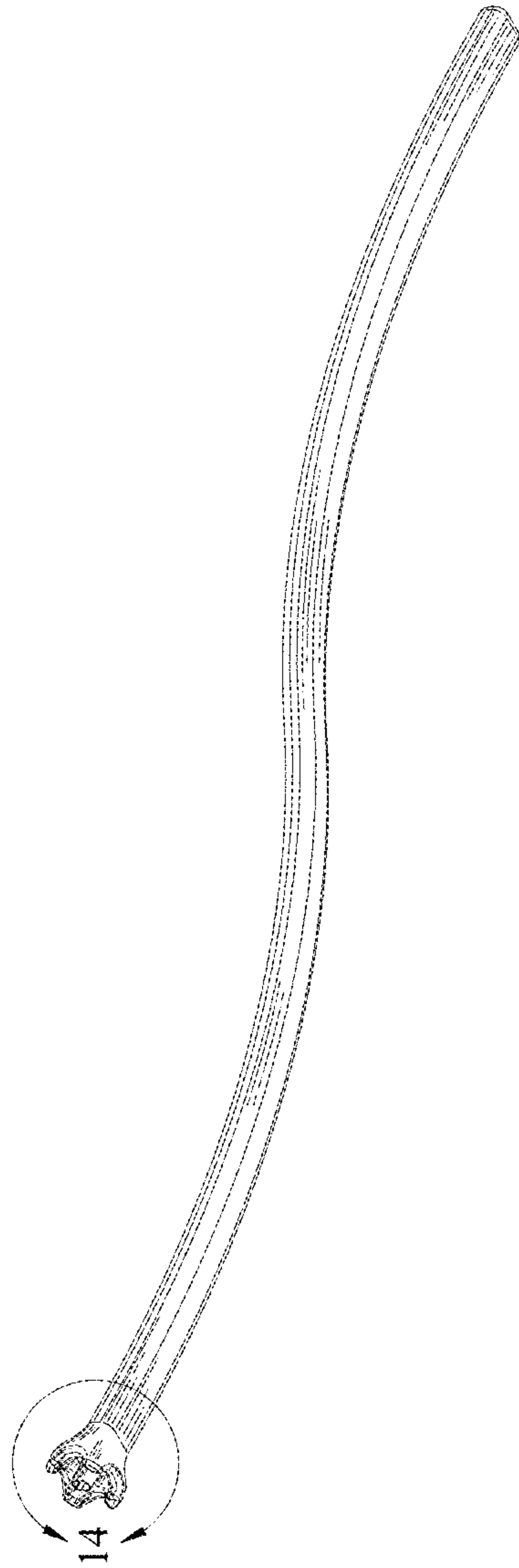


FIG. 3

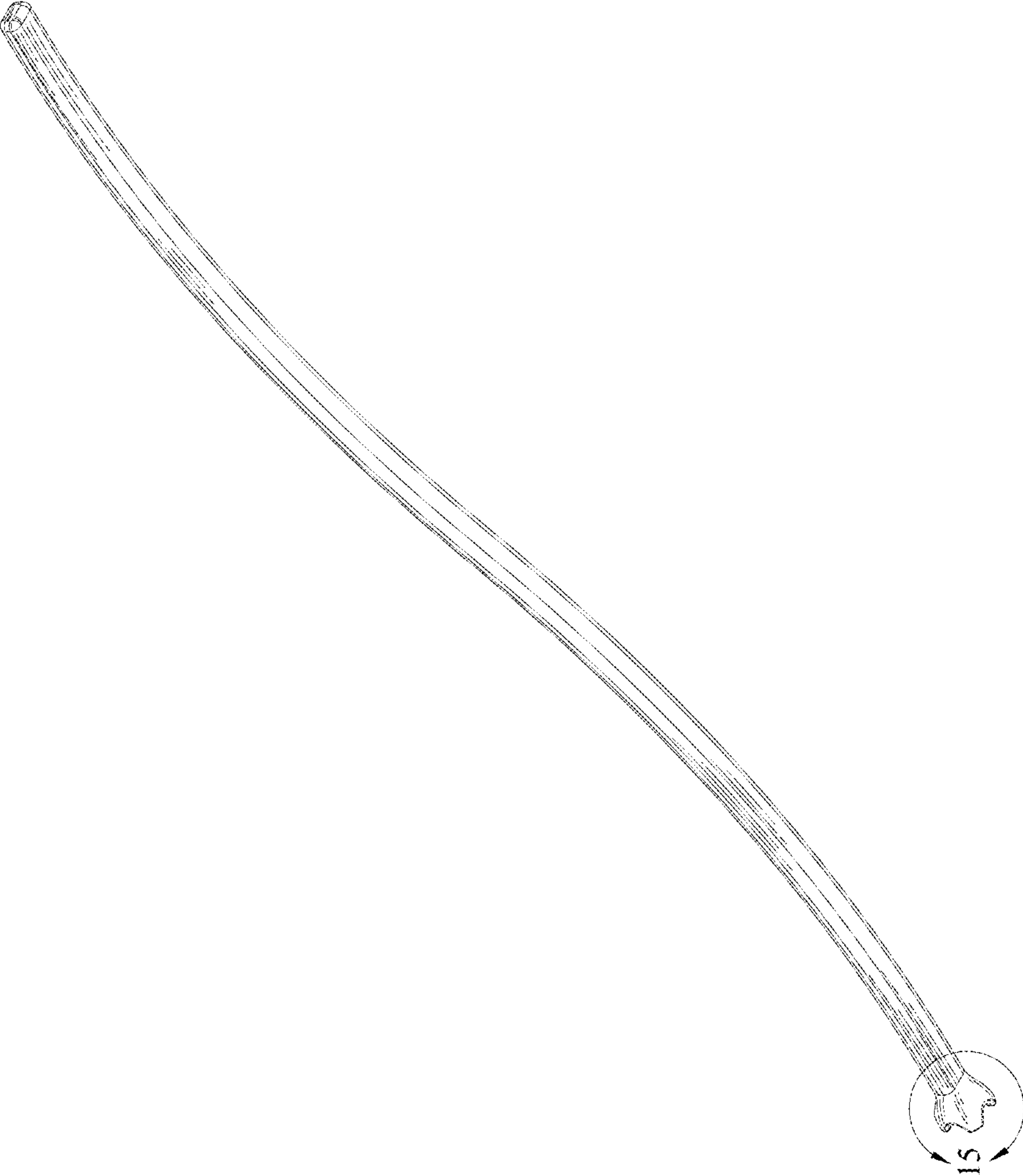


FIG. 4

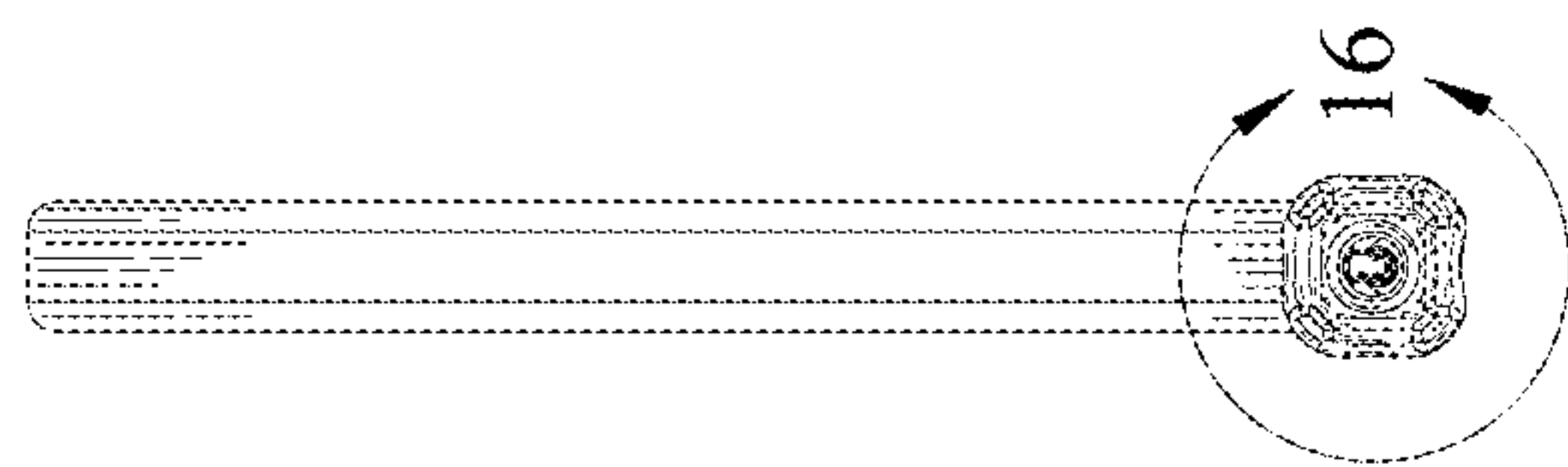


FIG. 5

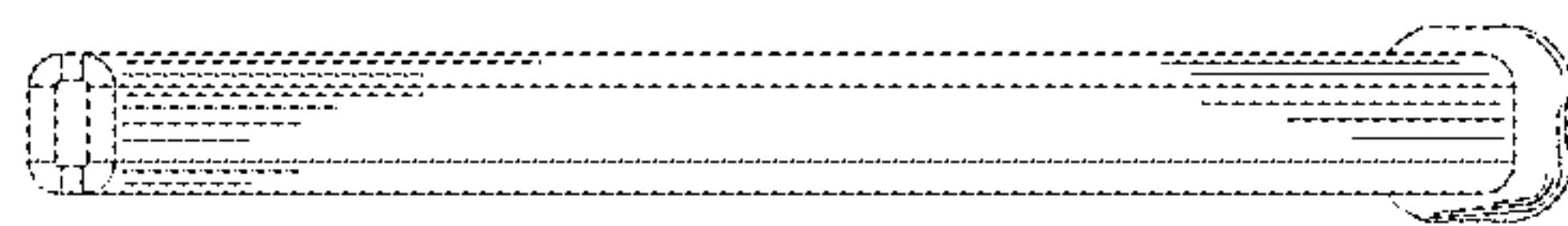


FIG. 6

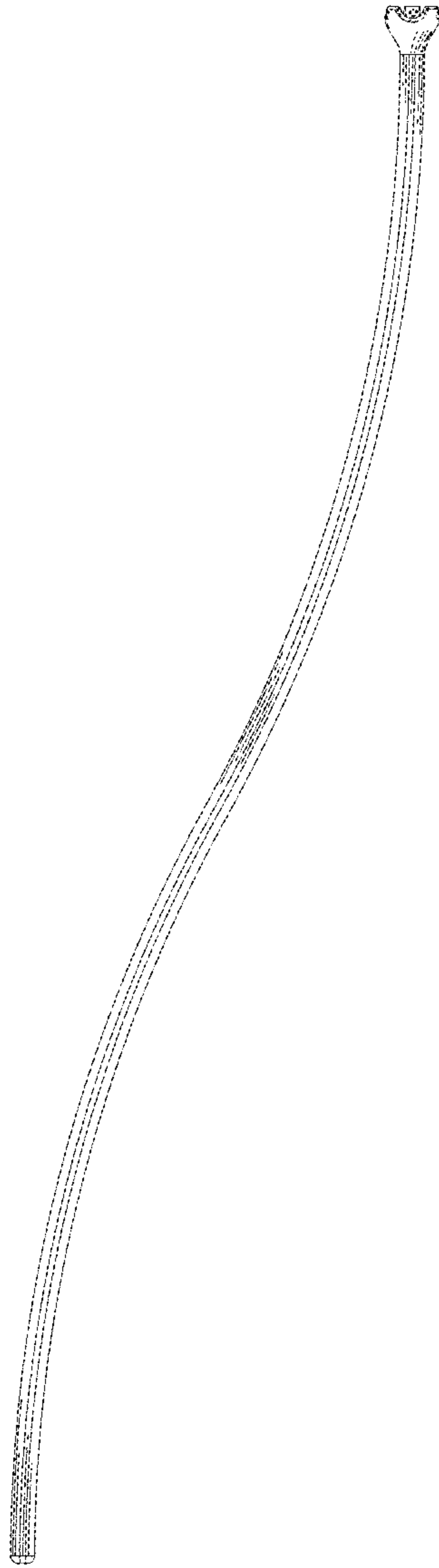


FIG. 7

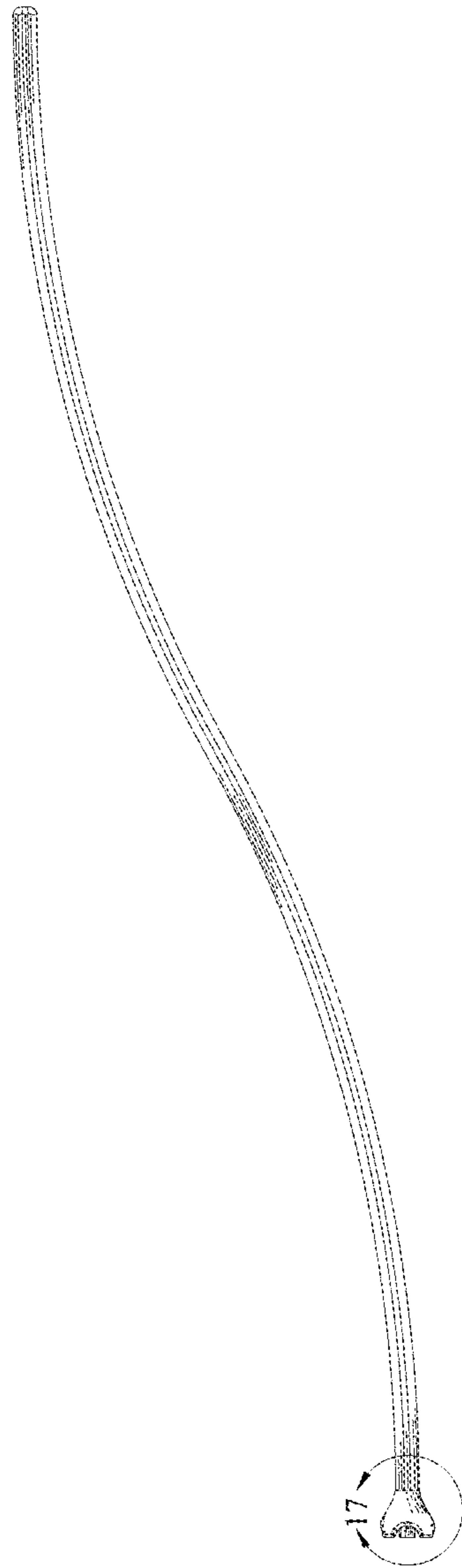


FIG. 8

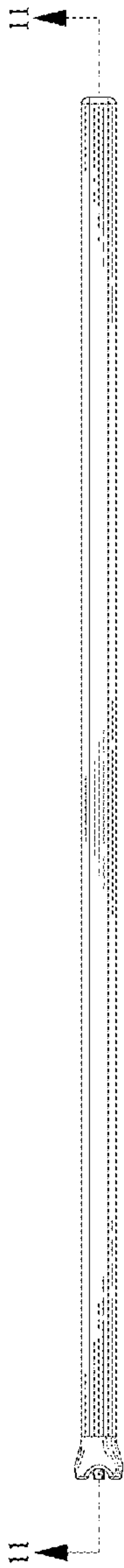


FIG. 9

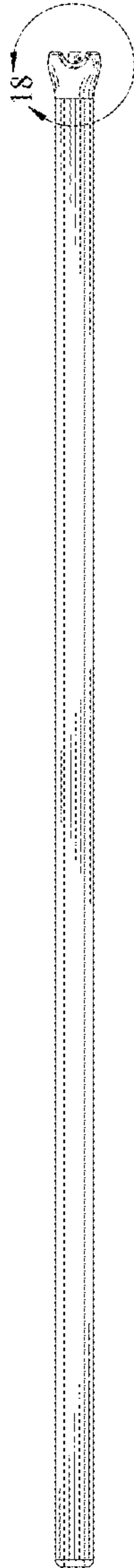


FIG. 10

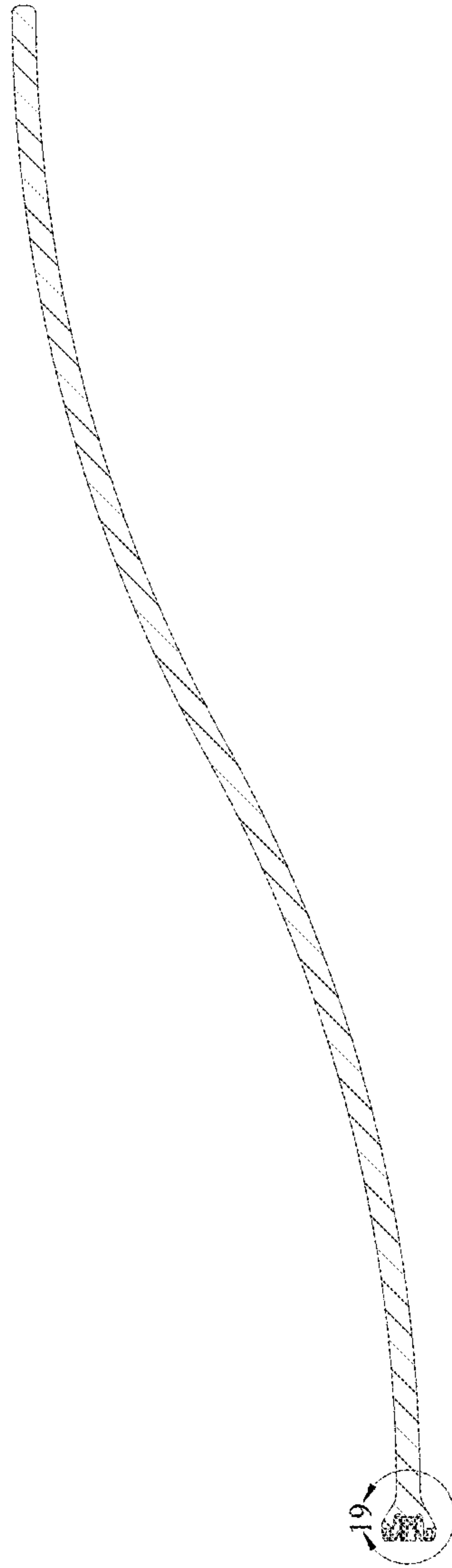


FIG. 11

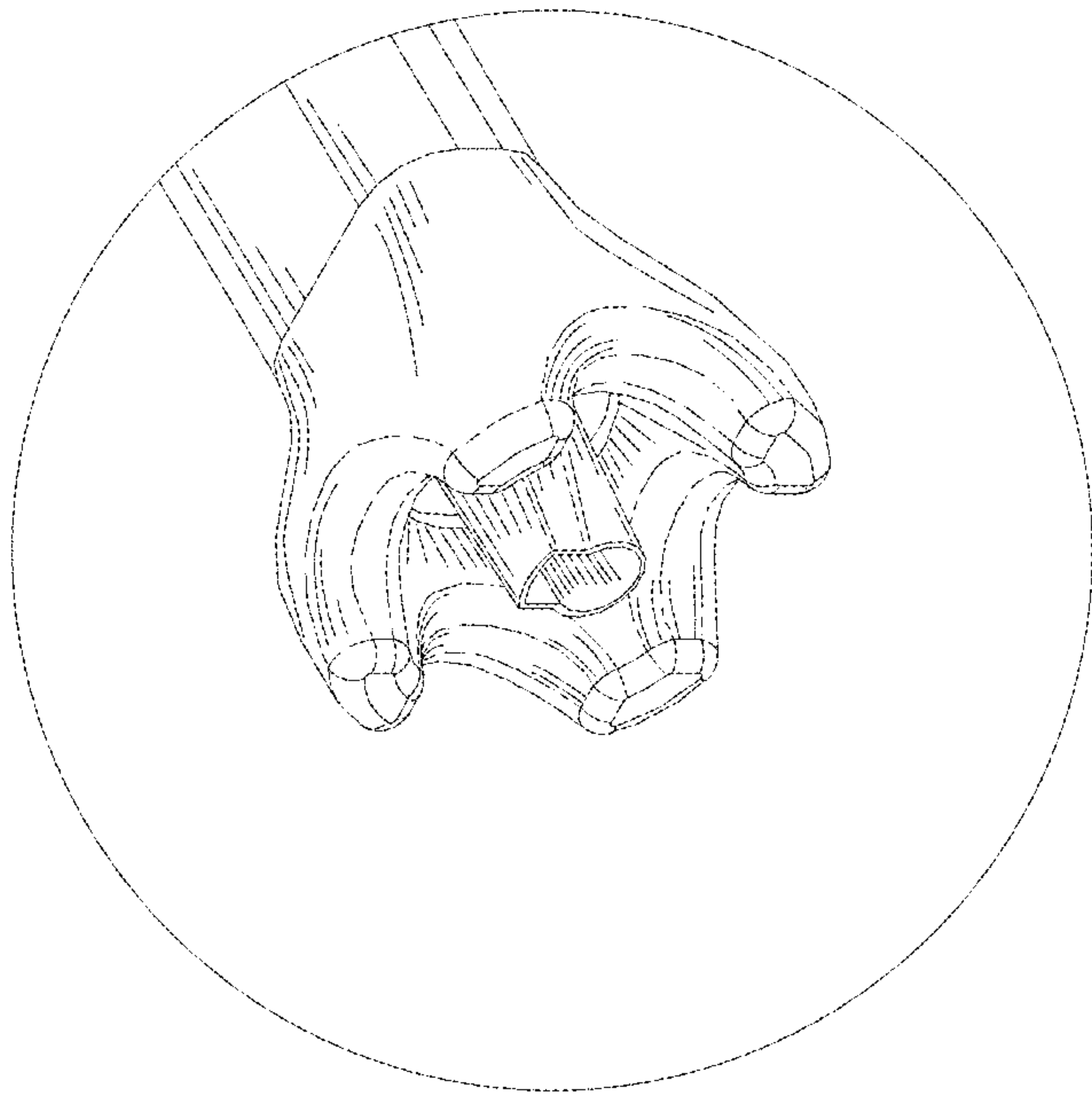


FIG. 12

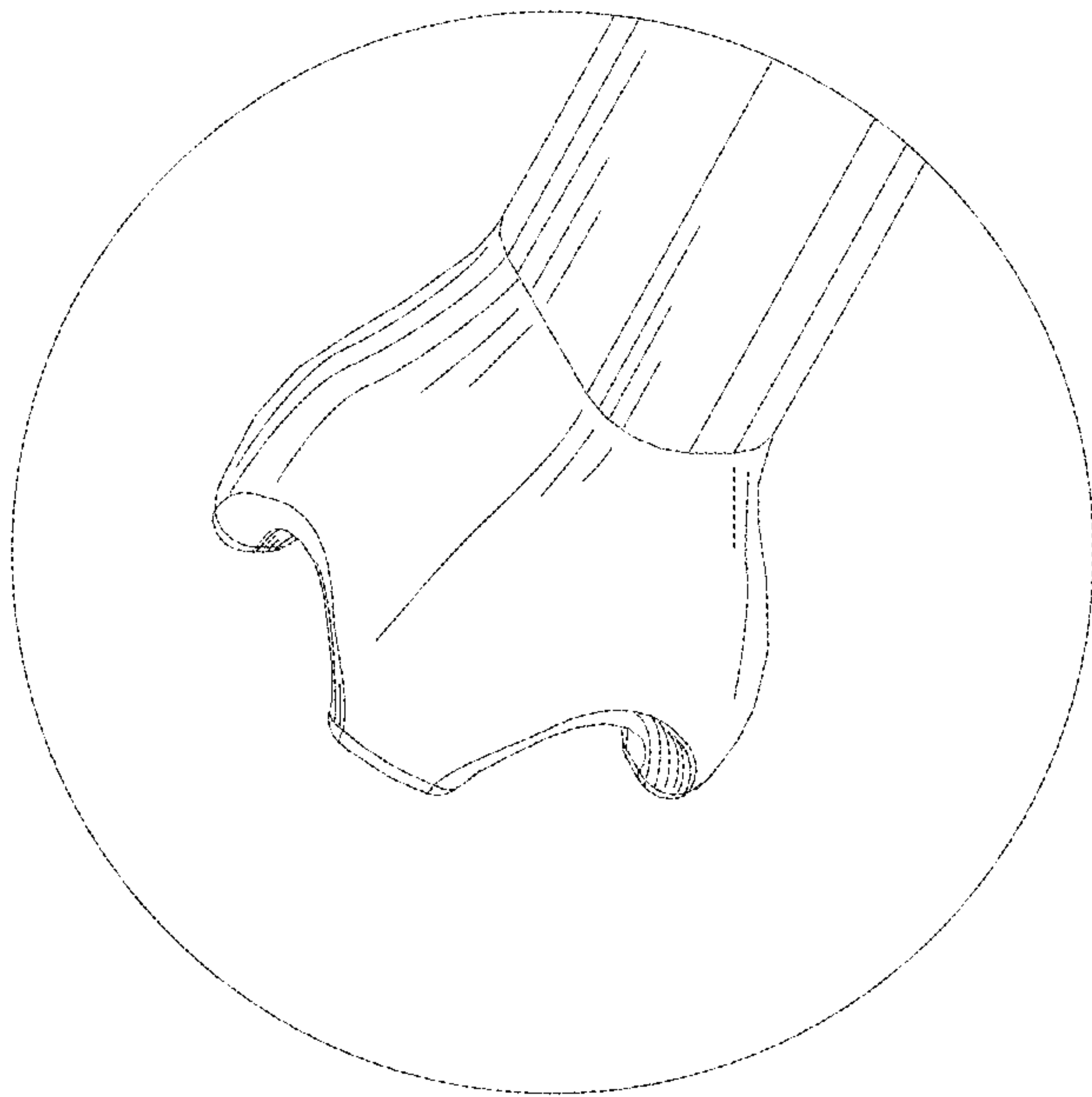


FIG. 13

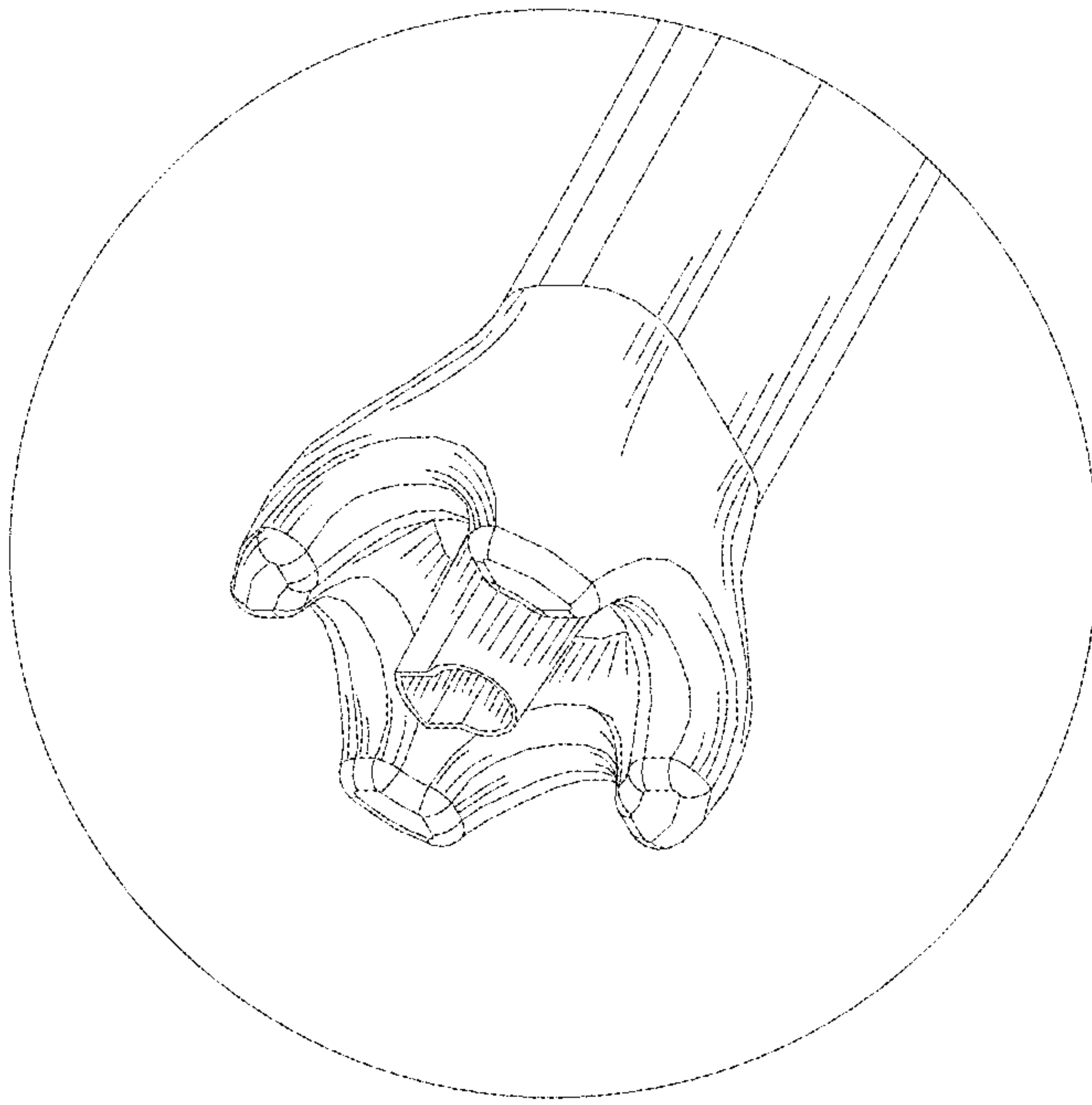


FIG. 14

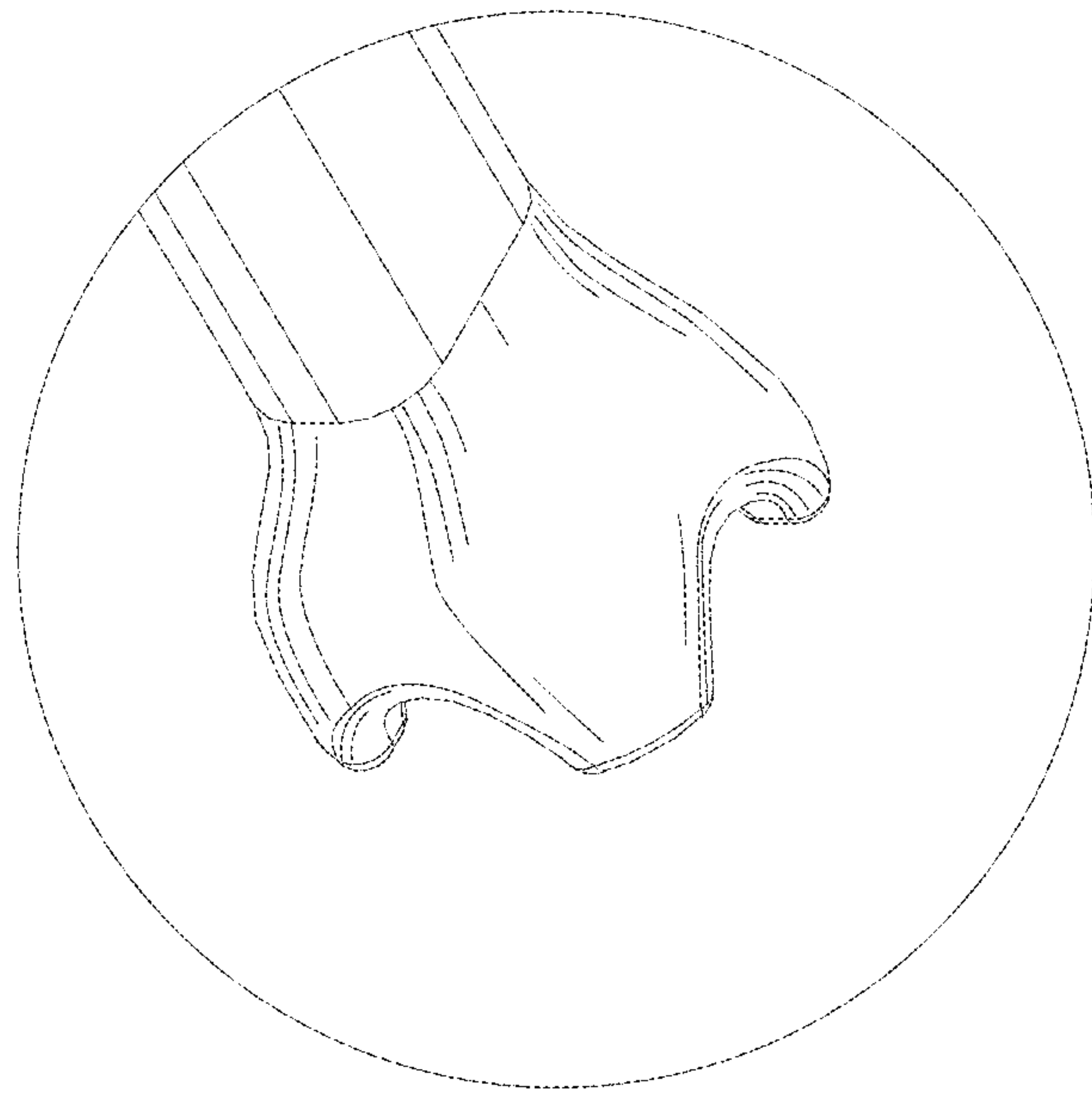


FIG. 15

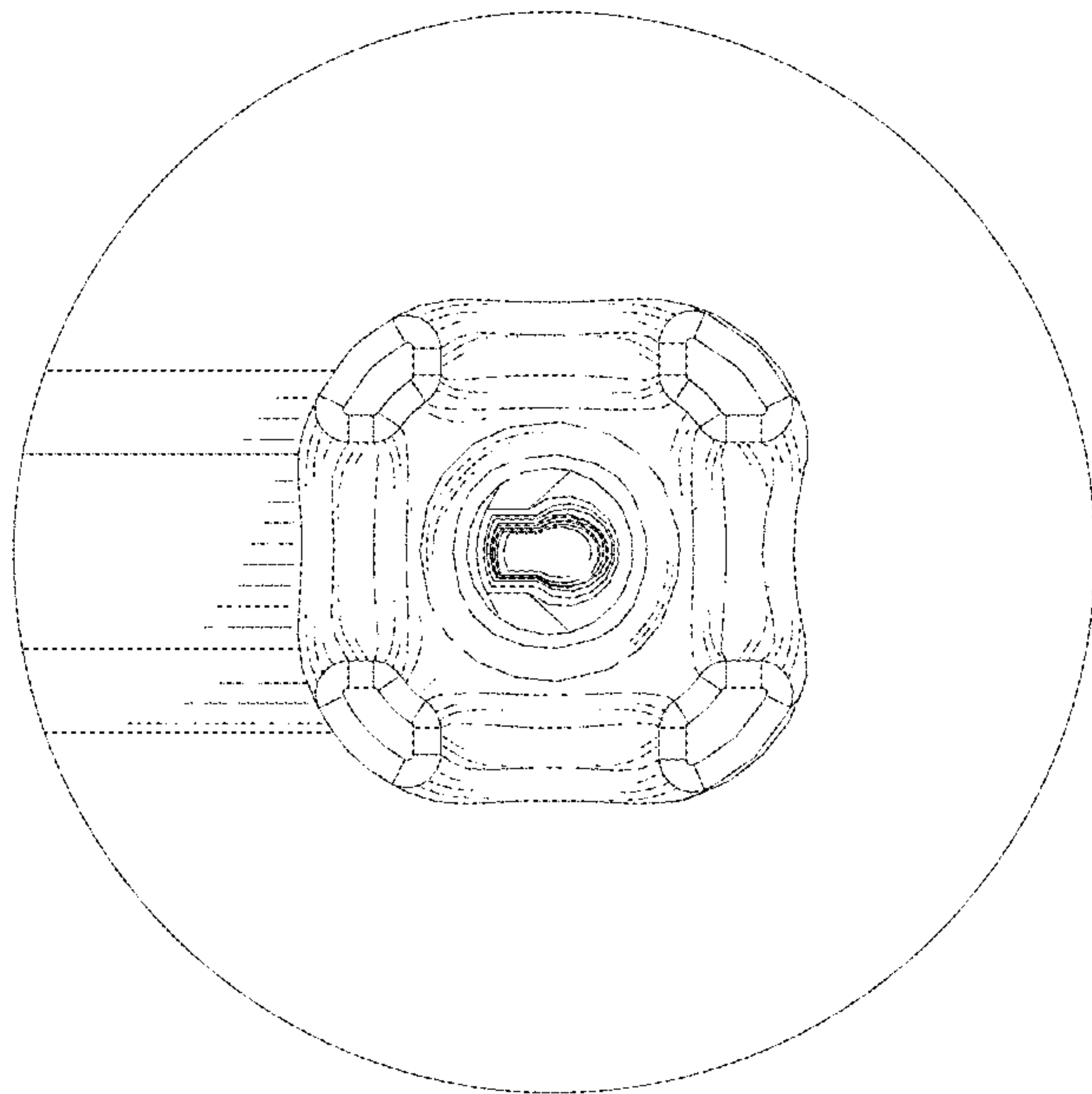


FIG. 16

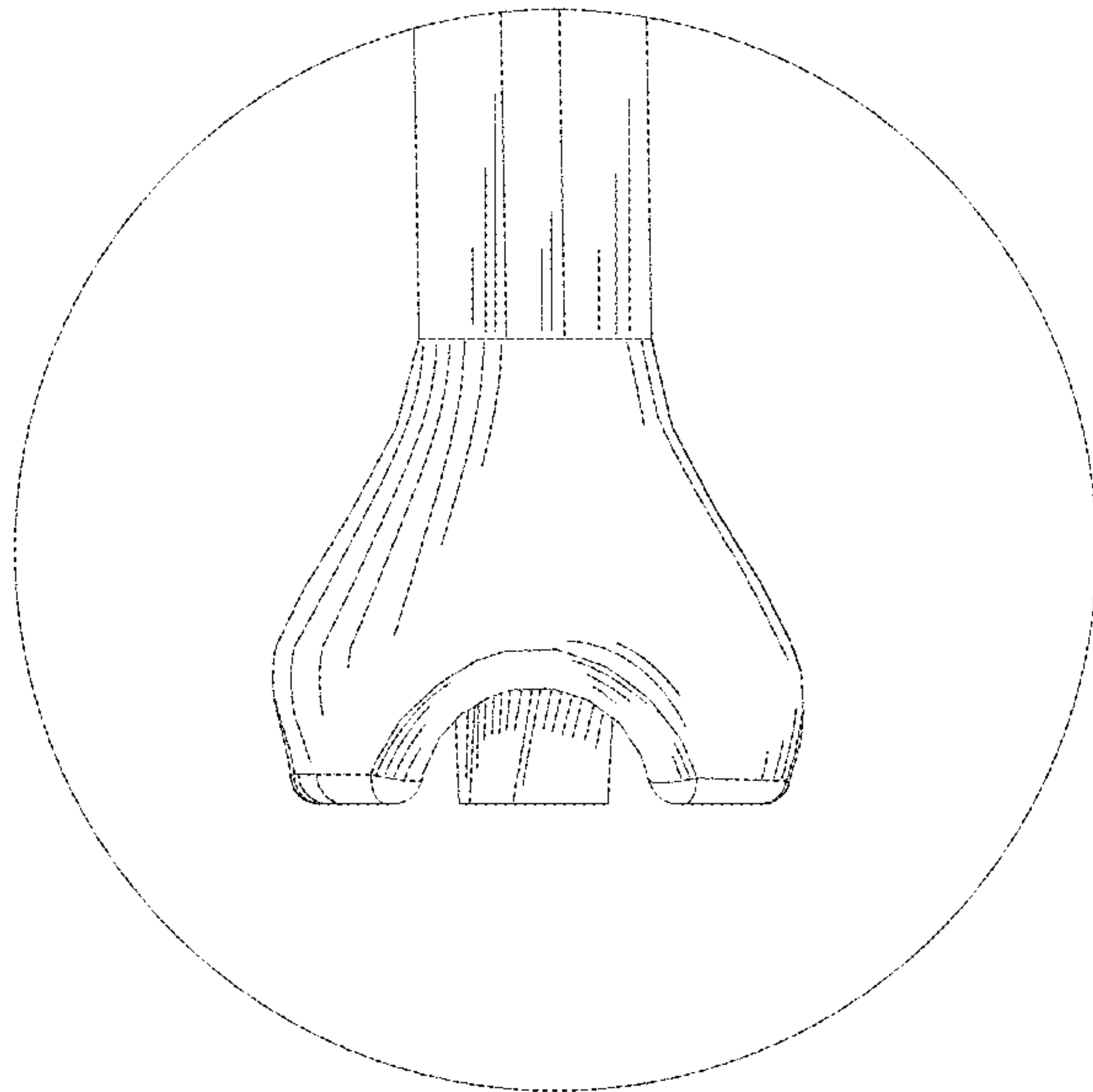


FIG. 17

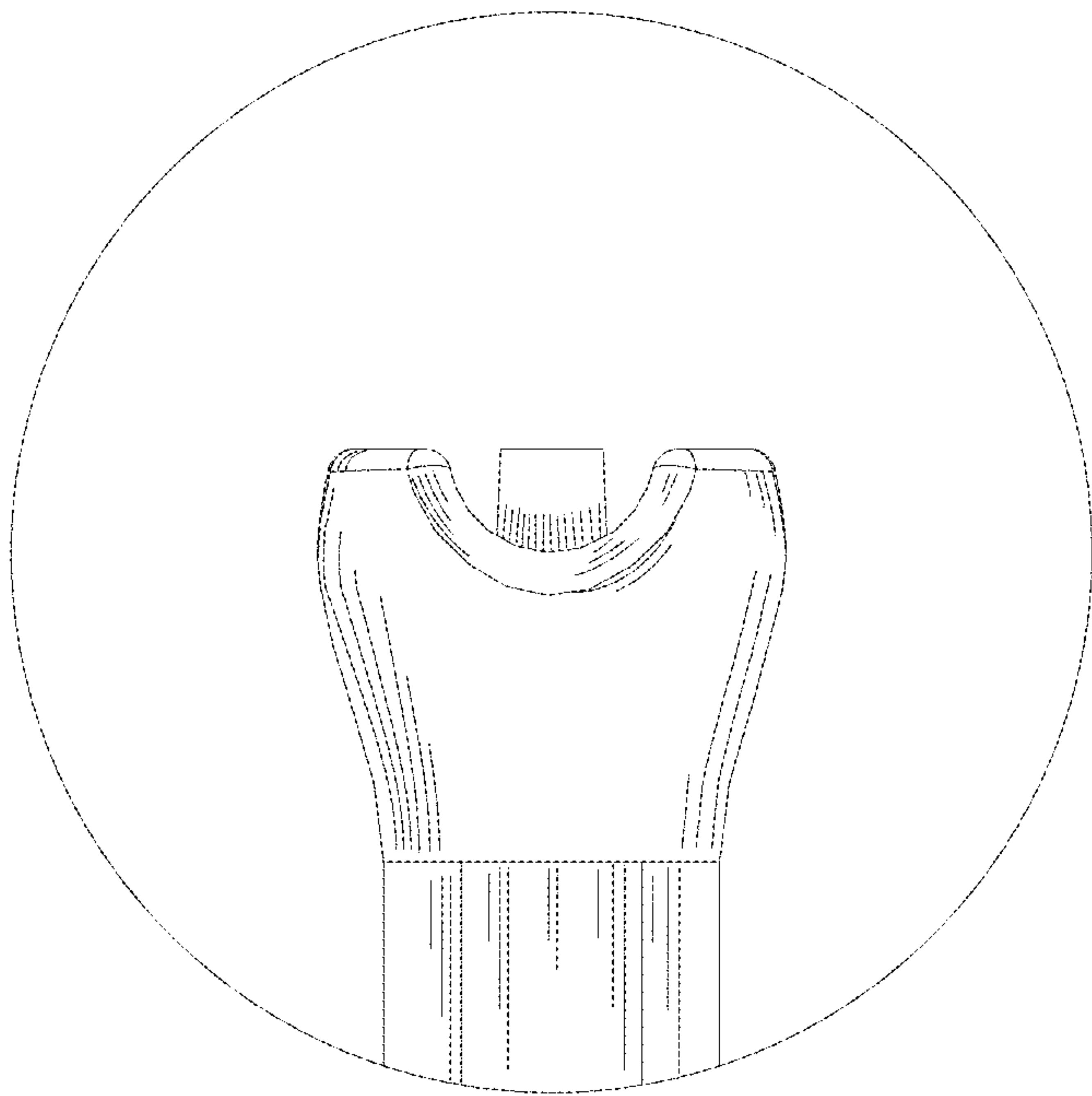


FIG. 18

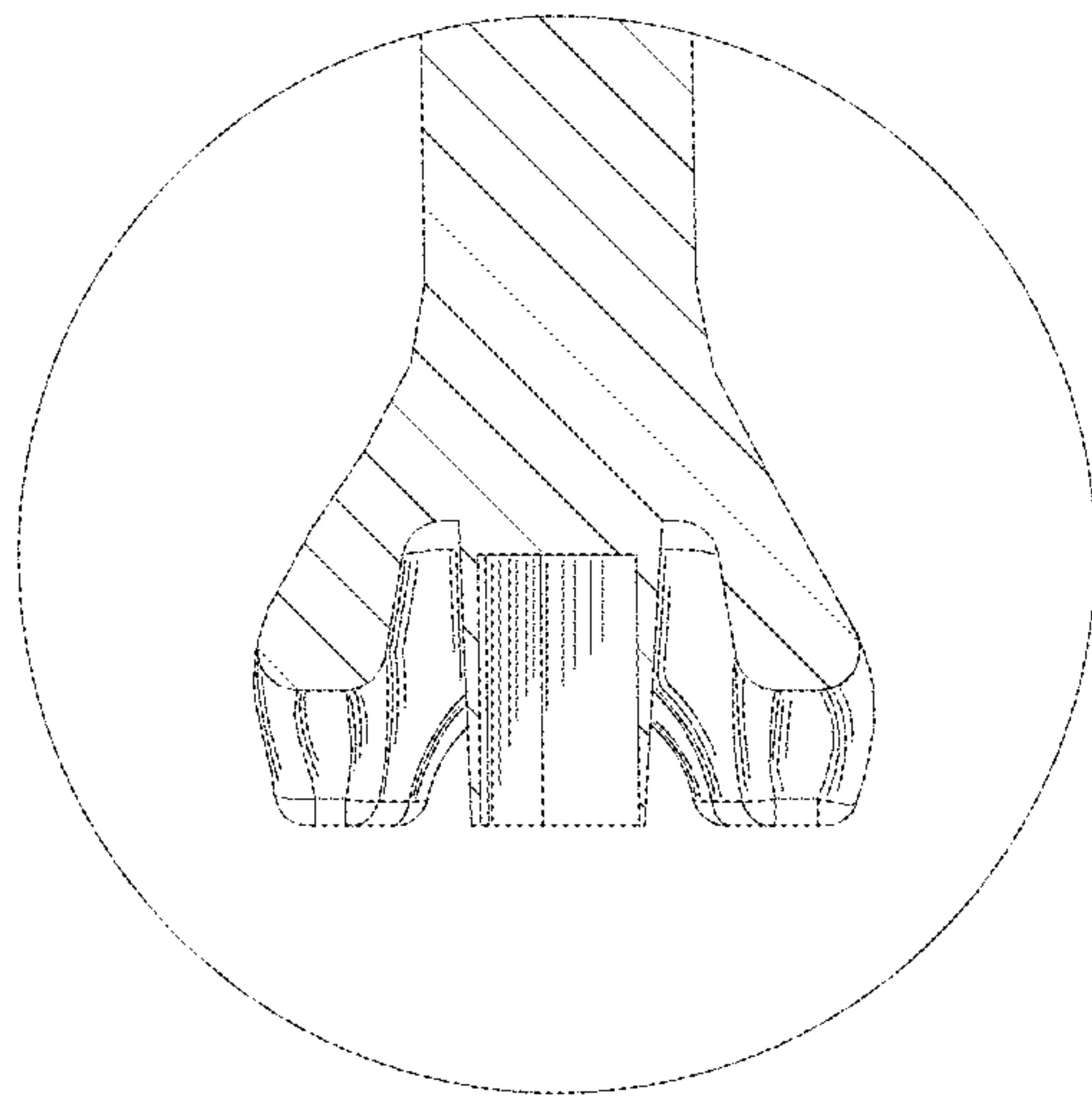


FIG. 19