



US00D776276S

(12) **United States Design Patent** (10) **Patent No.:** **US D776,276 S**
Witt et al. (45) **Date of Patent:** **** Jan. 10, 2017**

(54) **END EFFECTOR ASSEMBLY FOR
ULTRASONIC SURGICAL INSTRUMENT**

- (71) Applicant: **Ethicon Endo-Surgery, LLC**,
Guaynabo, PR (US)
- (72) Inventors: **David A. Witt**, Maineville, OH (US);
Stephen J. Balek, Springboro, OH
(US); **Nabeel M. Jadeed**, Cincinnati,
OH (US); **Matthew D. Holcomb**,
Lebanon, OH (US); **Benjamin M.**
Boyd, Fairborn, OH (US); **Cory G.**
Kimball, Hamilton, OH (US); **Ashvani**
K. Madan, Mason, OH (US); **Paul C.**
Daly, Abington, MA (US)
- (73) Assignee: **Ethicon Endo-Surgery, LLC**,
Guaynabo, PR (US)

- (**) Term: **14 Years**
- (21) Appl. No.: **29/520,994**
- (22) Filed: **Mar. 19, 2015**

Related U.S. Application Data

- (63) Continuation-in-part of application No. 14/087,352,
filed on Nov. 22, 2013.
- (51) **LOC (10) Cl.** **24-02**
- (52) **U.S. Cl.**
USPC **D24/146**
- (58) **Field of Classification Search**
USPC D24/146, 147, 133, 130, 113, 114;
600/385, 573, 583; 606/167, 172,
606/181-185; 210/453
CPC A61B 5/00; A61B 5/15; A61B 17/32;
A61B 17/32053
See application file for complete search history.

(56) **References Cited**

U.S. PATENT DOCUMENTS

- 4,188,952 A * 2/1980 Loschilov A61B 17/322
30/355
- 4,274,826 A * 6/1981 Huey A61C 3/06
30/294
- 4,315,745 A * 2/1982 Murata A61C 3/14
433/141
- D285,835 S * 9/1986 Hanses D24/147
- D318,116 S * 7/1991 Michelson D24/135
- D340,981 S * 11/1993 Hood D24/133
- D344,799 S * 3/1994 Hood D24/144

(Continued)

OTHER PUBLICATIONS

International Search Report and Written Opinion dated May 28,
2015 for Application No. PCT/US14/65630.
U.S. Appl. No. 29/492,794, filed Jun. 3, 2014.

Primary Examiner — Lakiya Rogers
Assistant Examiner — Carissa C Fitts
(74) *Attorney, Agent, or Firm* — Frost Brown Todd LLC

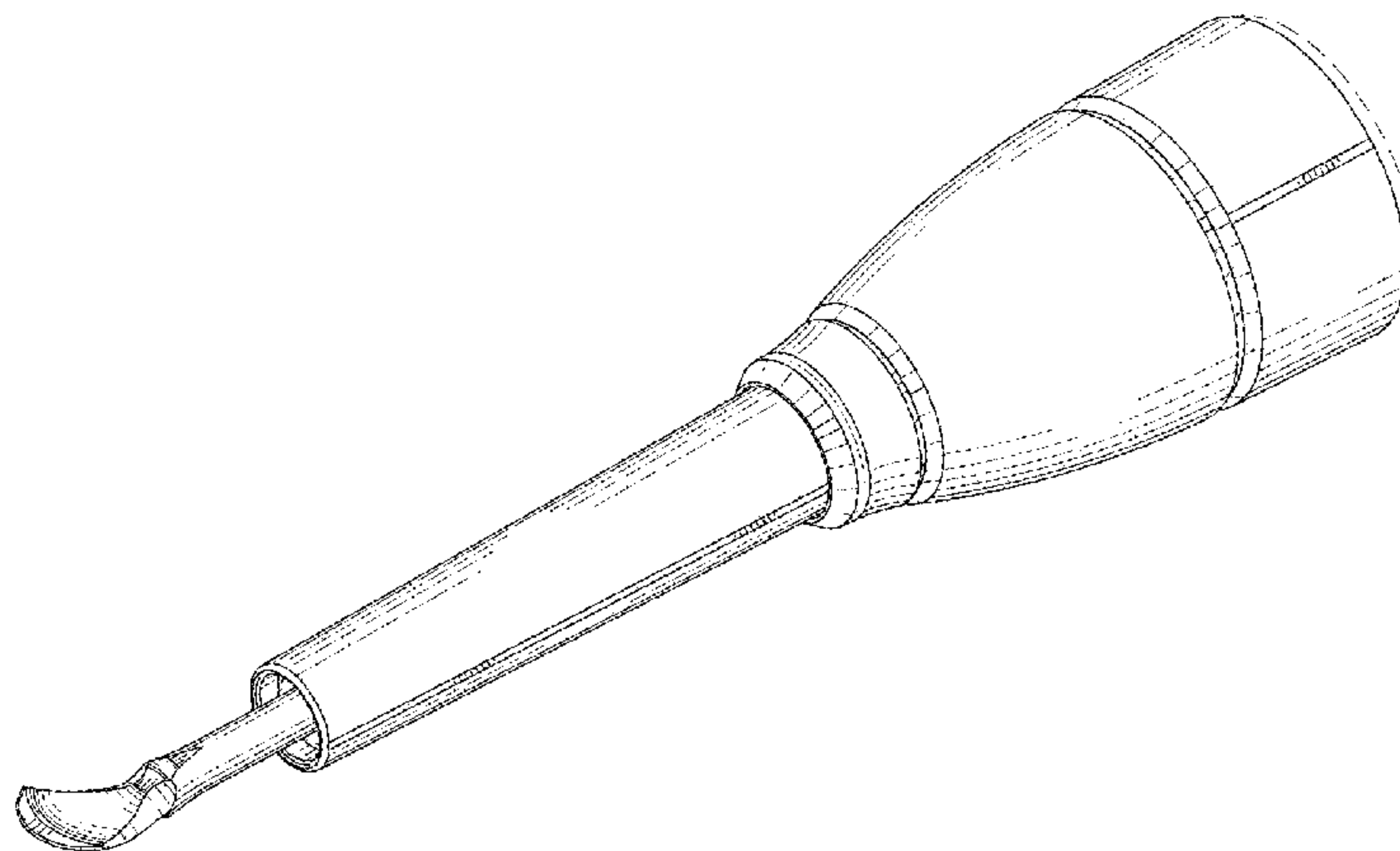
(57) **CLAIM**

The ornamental design for an end effector assembly for
ultrasonic surgical instrument, as shown and described.

DESCRIPTION

FIG. 1 is a top perspective view of an end effector assembly
for ultrasonic surgical instrument, showing our new design;
FIG. 2 is a bottom perspective view thereof;
FIG. 3 is a top plan view thereof;
FIG. 4 is a bottom plan view thereof;
FIG. 5 is a front elevational view thereof;
FIG. 6 is a back elevational view thereof;
FIG. 7 is a left elevational view thereof; and,
FIG. 8 is a right elevational view thereof.

(Continued)



The broken line showing represents portions of the article not claimed and forms no part of the claimed design.

1 Claim, 8 Drawing Sheets

(56)

References Cited

U.S. PATENT DOCUMENTS

D443,058	S	*	5/2001	Mulhauser	D24/133
D571,468	S	*	6/2008	Wu	D24/133
D658,285	S	*	4/2012	Ryshkus	D24/135
D700,331	S	*	2/2014	Lim	D24/147
D715,437	S	*	10/2014	Busch	D24/147
D733,300	S	*	6/2015	Bennett	D24/147
D742,007	S	*	10/2015	Schuetz	D24/152
2014/0163595	A1		6/2014	Witt et al.		
2015/0148829	A1		5/2015	Kimball et al.		

* cited by examiner

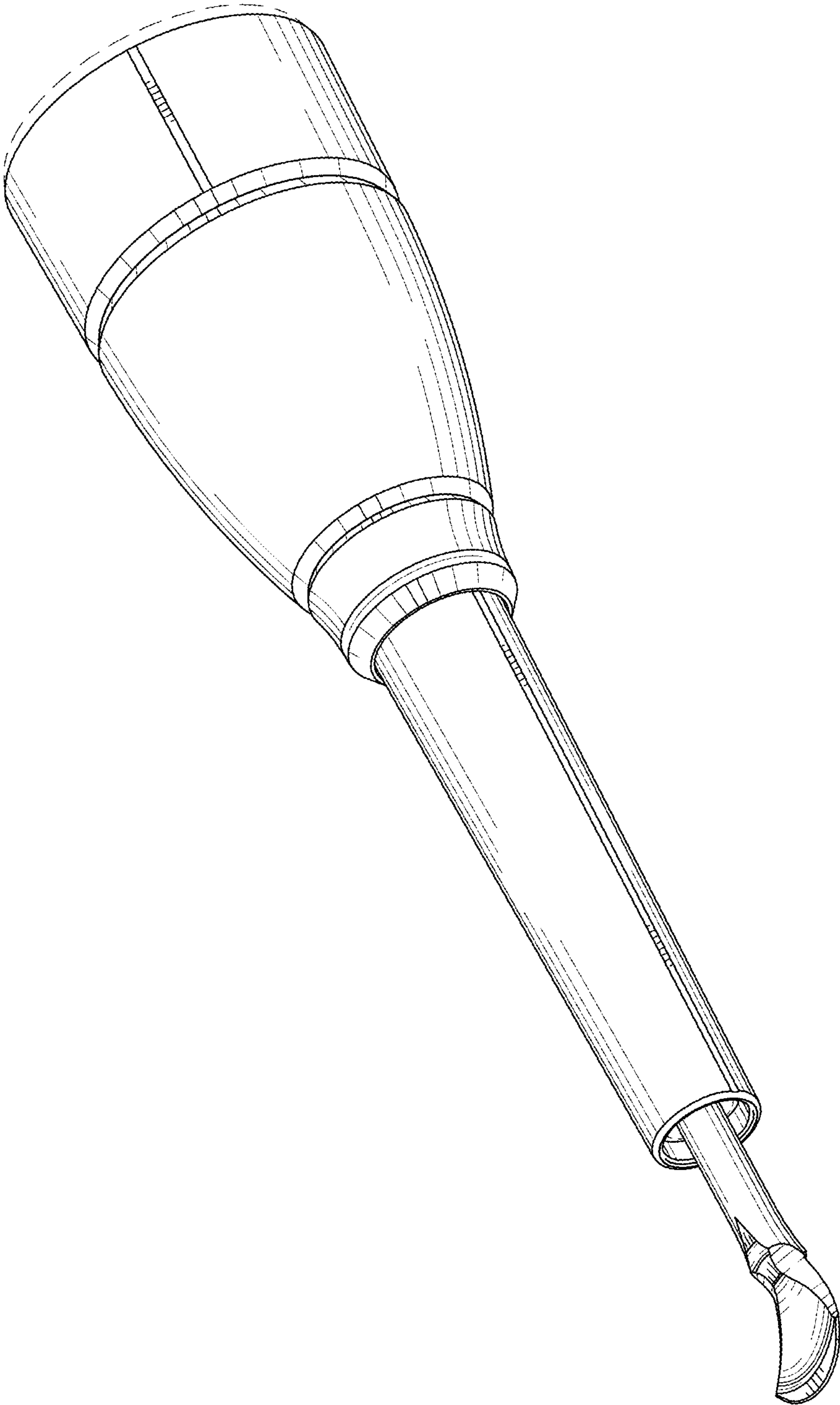


Fig. 1

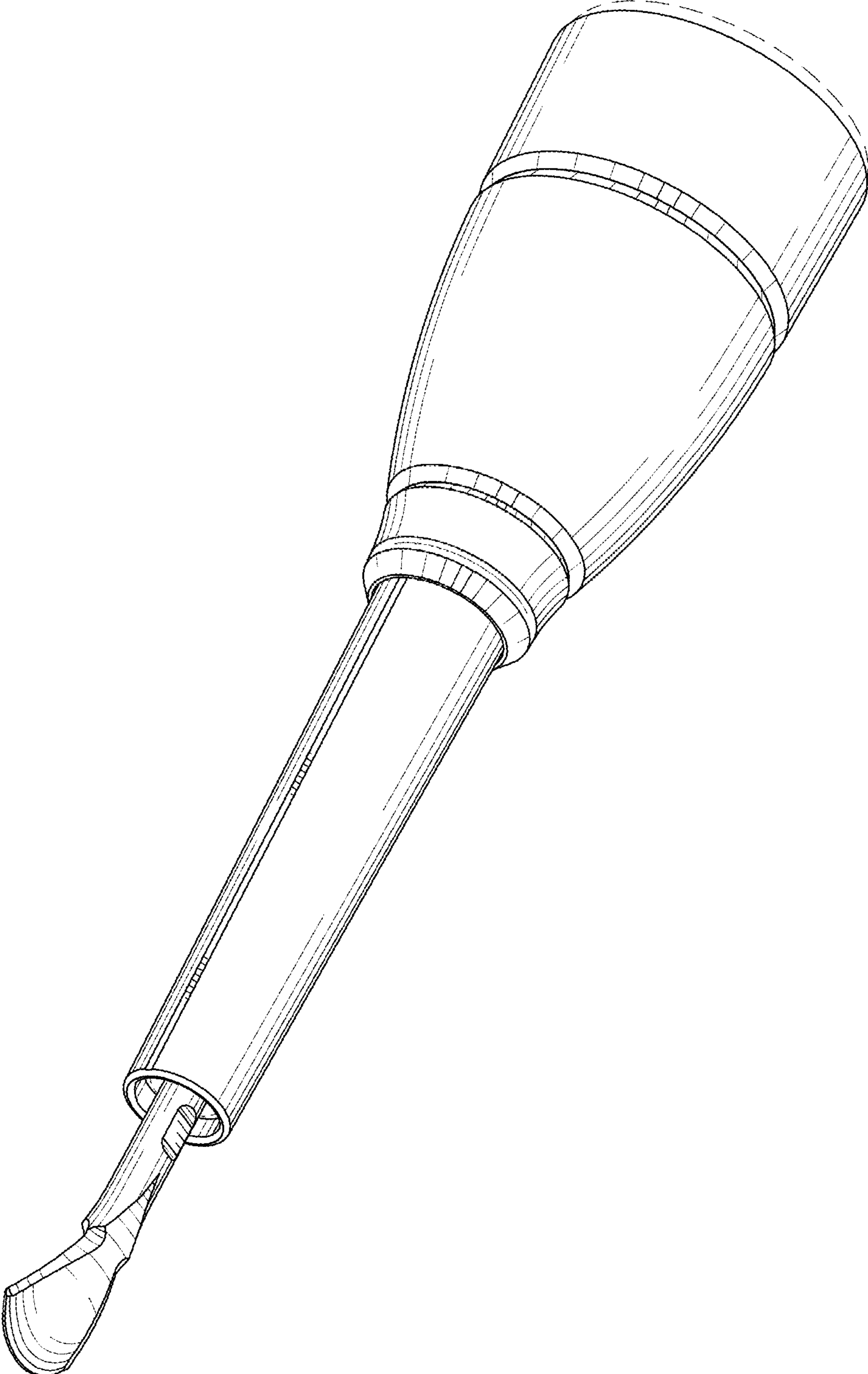


Fig. 2

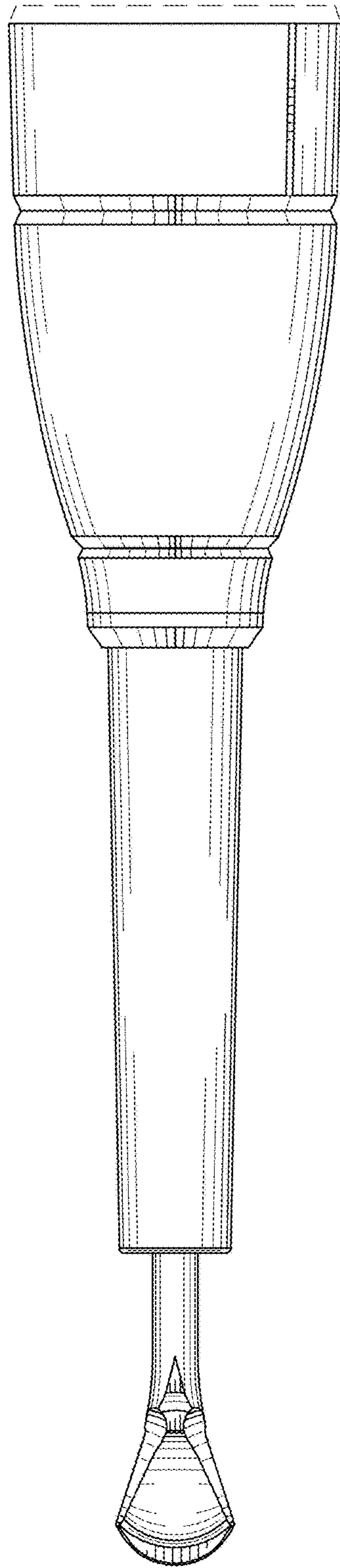


Fig. 3

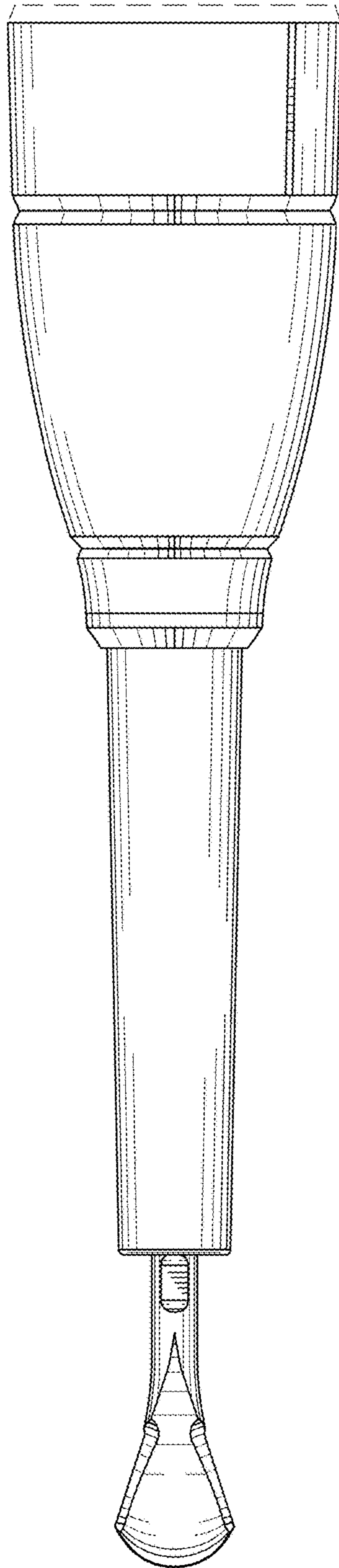


Fig. 4

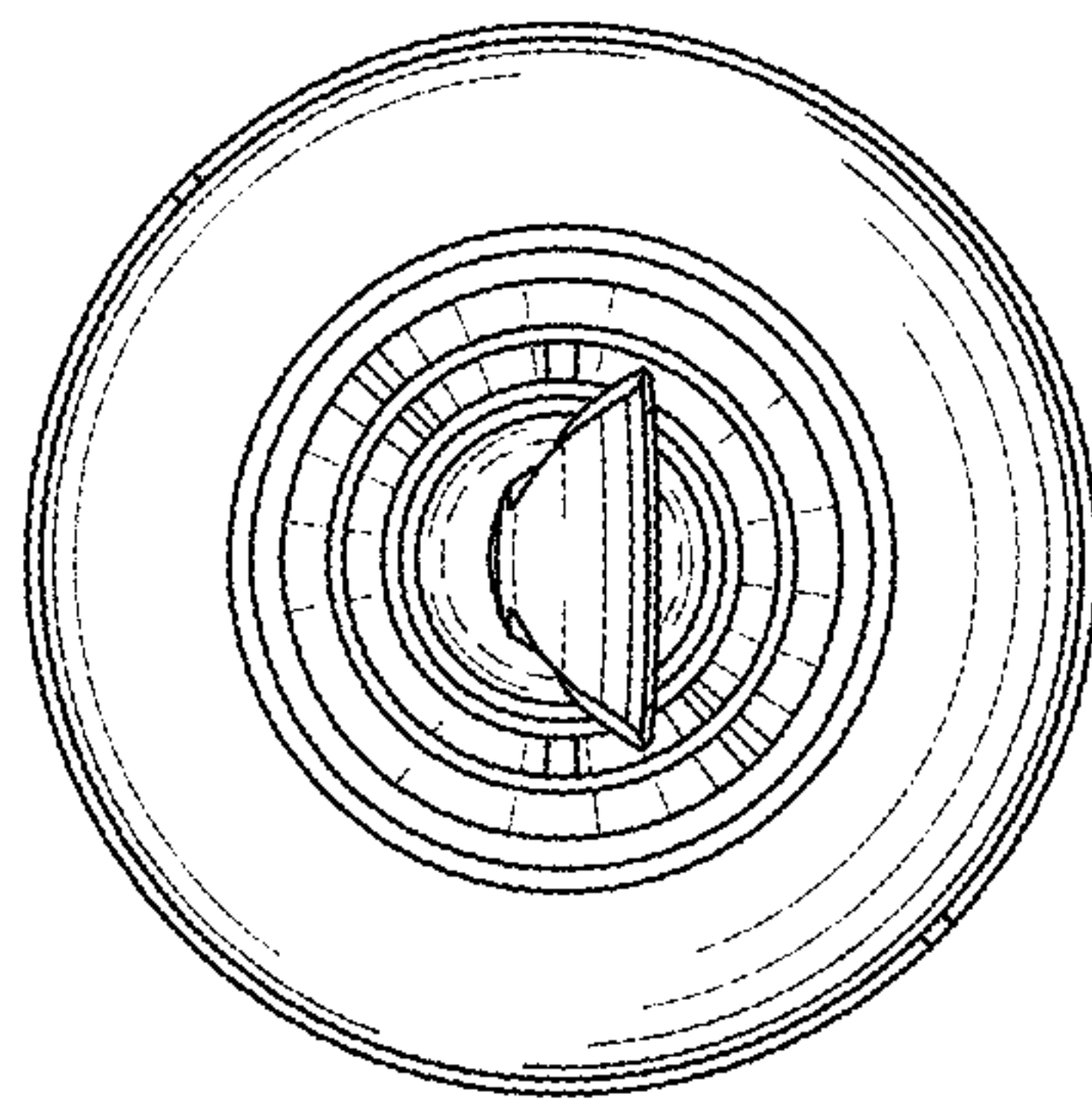


Fig.5

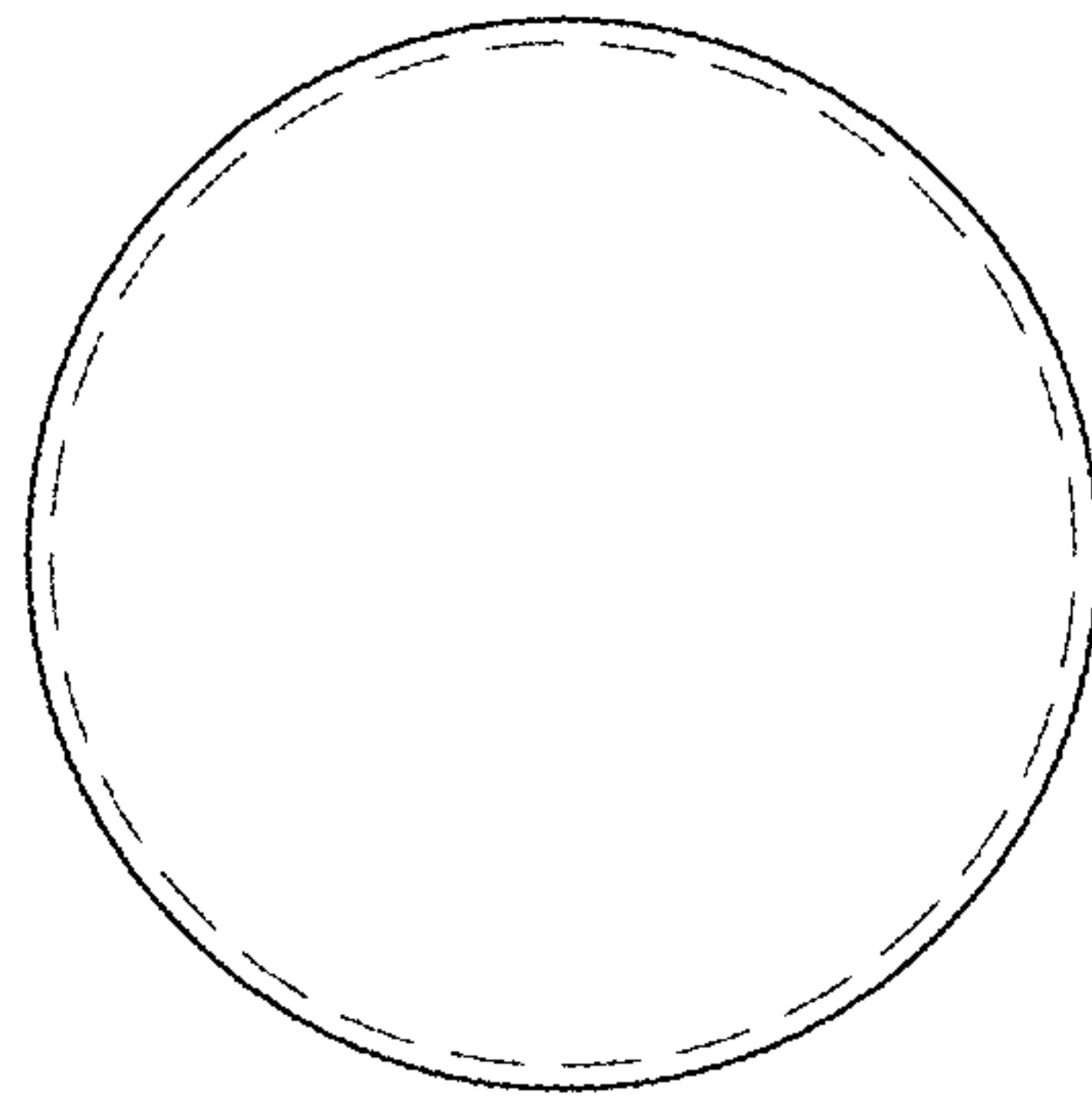


Fig.6

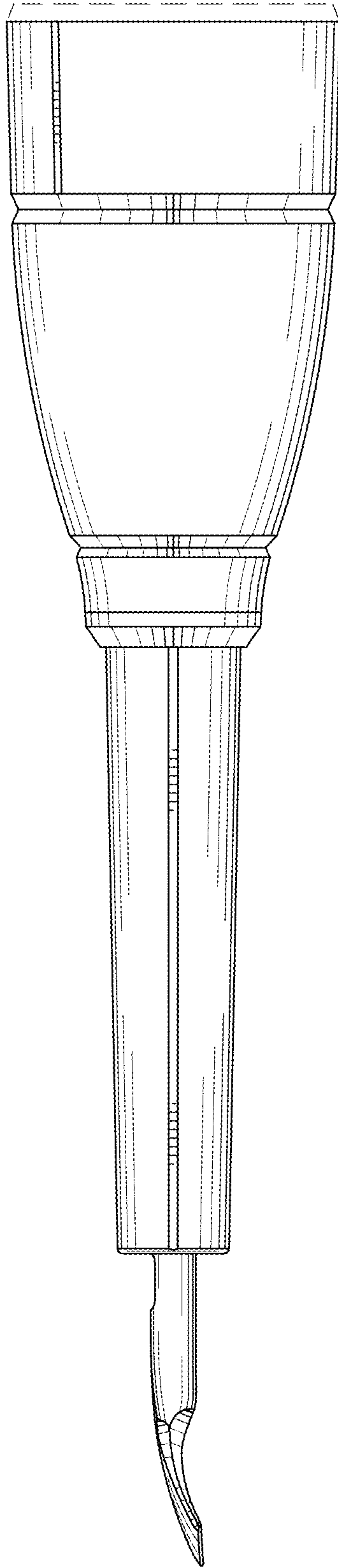


Fig. 7

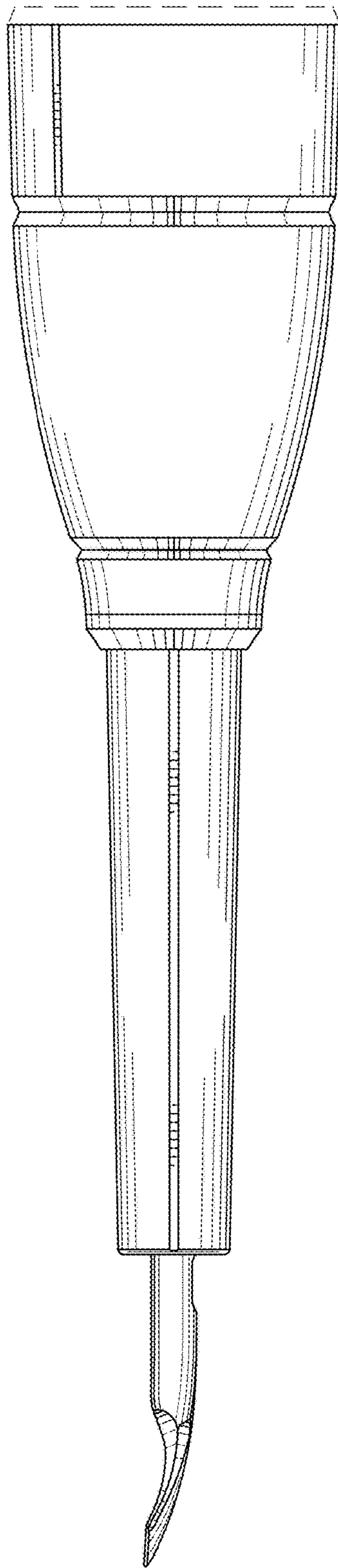


Fig. 8