



US00D776275S

(12) **United States Design Patent** (10) **Patent No.:** **US D776,275 S**
Ben-Moshe et al. (45) **Date of Patent:** **** Jan. 10, 2017**

(54) **MOBILE COLPOSCOPE** D423,668 S * 4/2000 Coe D24/137
6,277,067 B1 * 8/2001 Blair A61B 1/00041
(71) Applicant: **Mobile Oct Ltd.**, Tel Aviv (IL) 2015/0126810 A1 * 5/2015 Wood A61B 3/14
348/77
600/200

(72) Inventors: **Moshe Ben-Moshe**, Modein (IL); **Tal Shlomovitch**, Tel Aviv (IL)

(73) Assignee: **MOBILE ODT Ltd.**, Tel Aviv (IL)

(**) Term: **14 Years**

(21) Appl. No.: **29/516,093**

(22) Filed: **Jan. 29, 2015**

(51) **LOC (10) Cl.** **24-02**

(52) **U.S. Cl.**
USPC **D24/137**

(58) **Field of Classification Search**
USPC D24/137, 122, 128, 133, 135, 138, 144;
600/101, 102, 107, 109, 112, 160, 200;
128/830
CPC A61B 3/14; A61B 3/1208; A61B 1/00052;
A61B 1/00019; A61B 5/441; A61B 1/0011;
A61B 1/00186; A61B 1/0684; A61B
1/128; A61B 1/00034; A61B
1/00039; A61B 1/227
See application file for complete search history.

(56) **References Cited**

U.S. PATENT DOCUMENTS

4,134,637 A * 1/1979 Leisegang A61B 1/04
359/363
D391,360 S * 2/1998 Krauter D24/137
D395,084 S * 6/1998 Krauter D24/137

OTHER PUBLICATIONS

MobileODT, Cervical Cancer Screening System, retrieved on Jun. 20, 2016, MobileODT, URL:www.mobileodt.com/about.html, 2 pages.*
MobileODT, Introduction to the Mobile Colposcope 2.0, retrieved on Jun. 20, 2016, Youtube, URL:www.youtube.com/watch?v=Mm5ogJT-M9k&feature=youtu.be, 2 pages.*

* cited by examiner

Primary Examiner — Wan Laymon
Assistant Examiner — Mark Booker
(74) *Attorney, Agent, or Firm* — Roach Brown McCarthy & Gruber, P.C.; Kevin D. McCarthy

(57) **CLAIM**

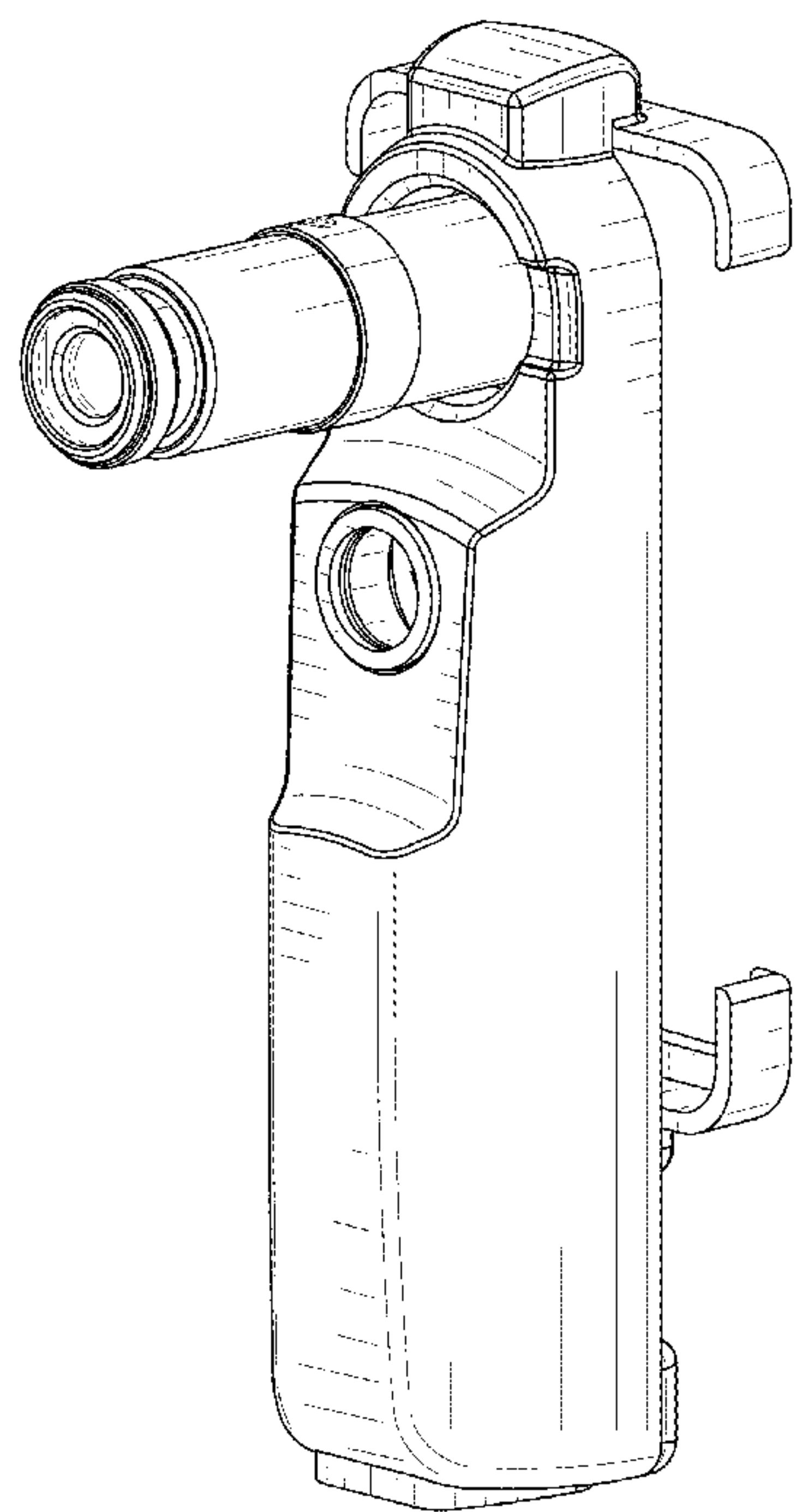
The ornamental design for a mobile colposcope, as shown and described.

DESCRIPTION

FIG. 1 is a front perspective view of a mobile colposcope; FIG. 2 is a rear perspective view thereof; FIG. 3 is a top view thereof; FIG. 4 is a bottom view thereof; FIG. 5 is a right side view thereof; FIG. 6 is a left side view thereof; FIG. 7 is a front view thereof; and, FIG. 8 is a rear view thereof.

In the drawings, the broken lines represent unclaimed subject matter and form no part of the claim.

1 Claim, 8 Drawing Sheets



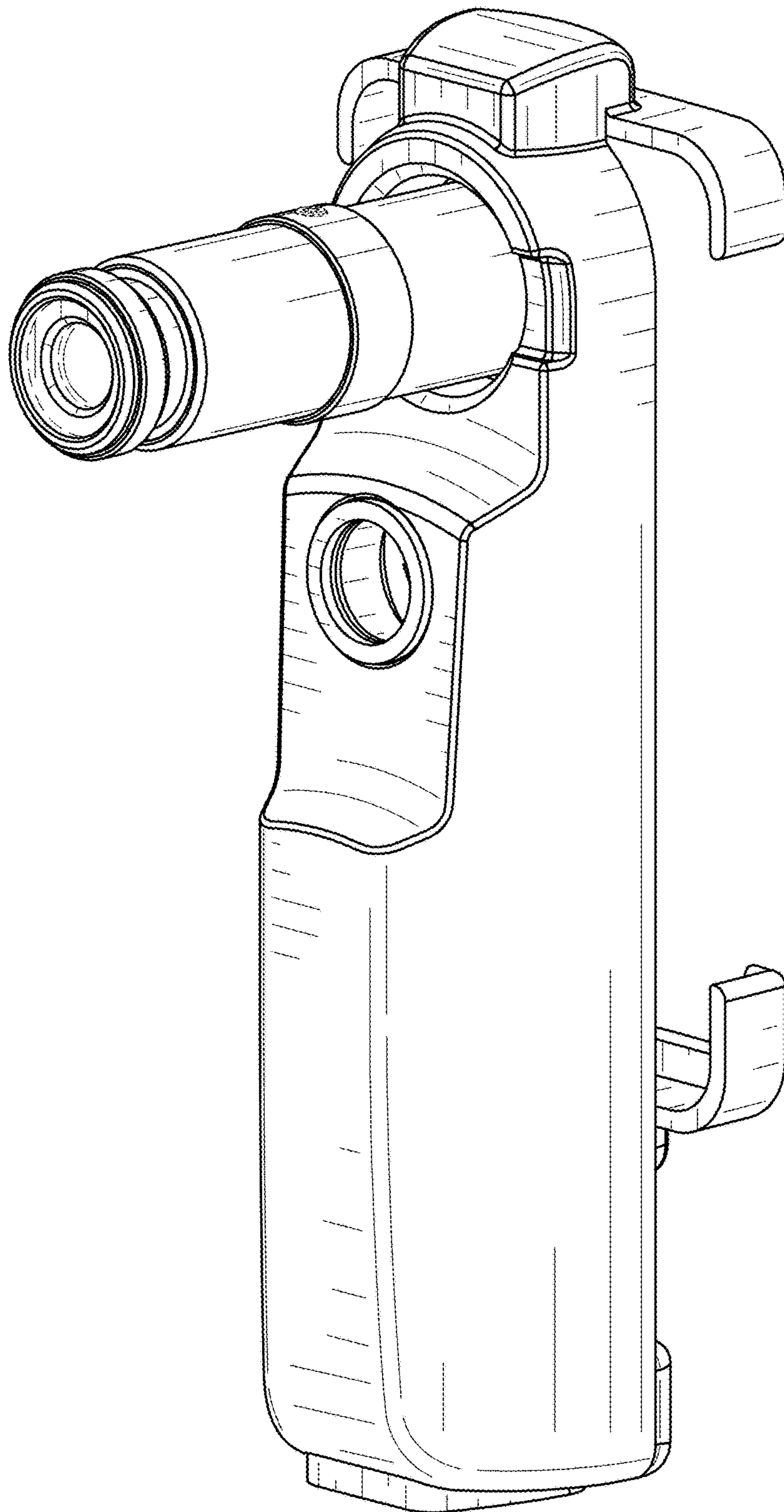


FIG.1

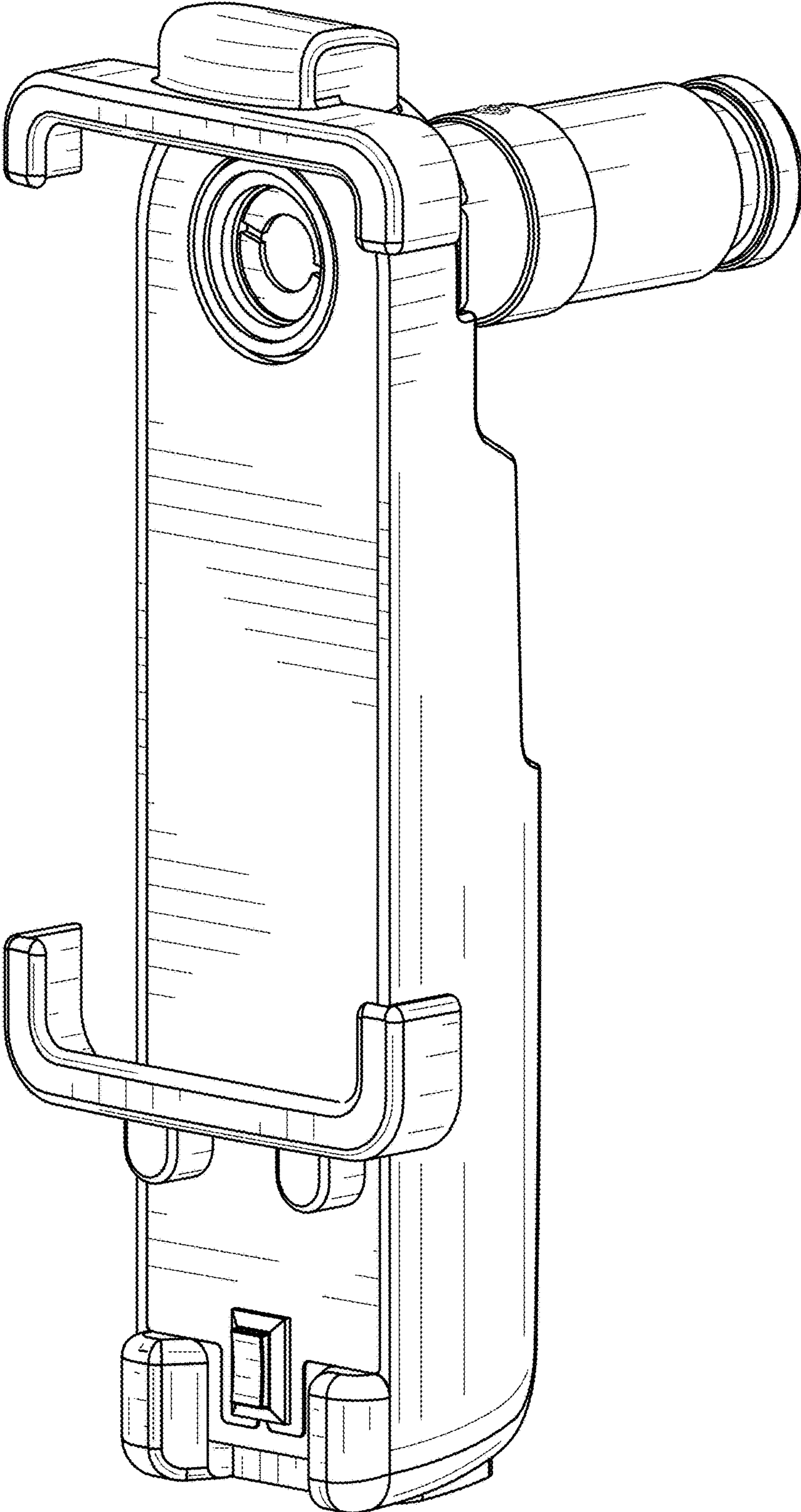


FIG.2

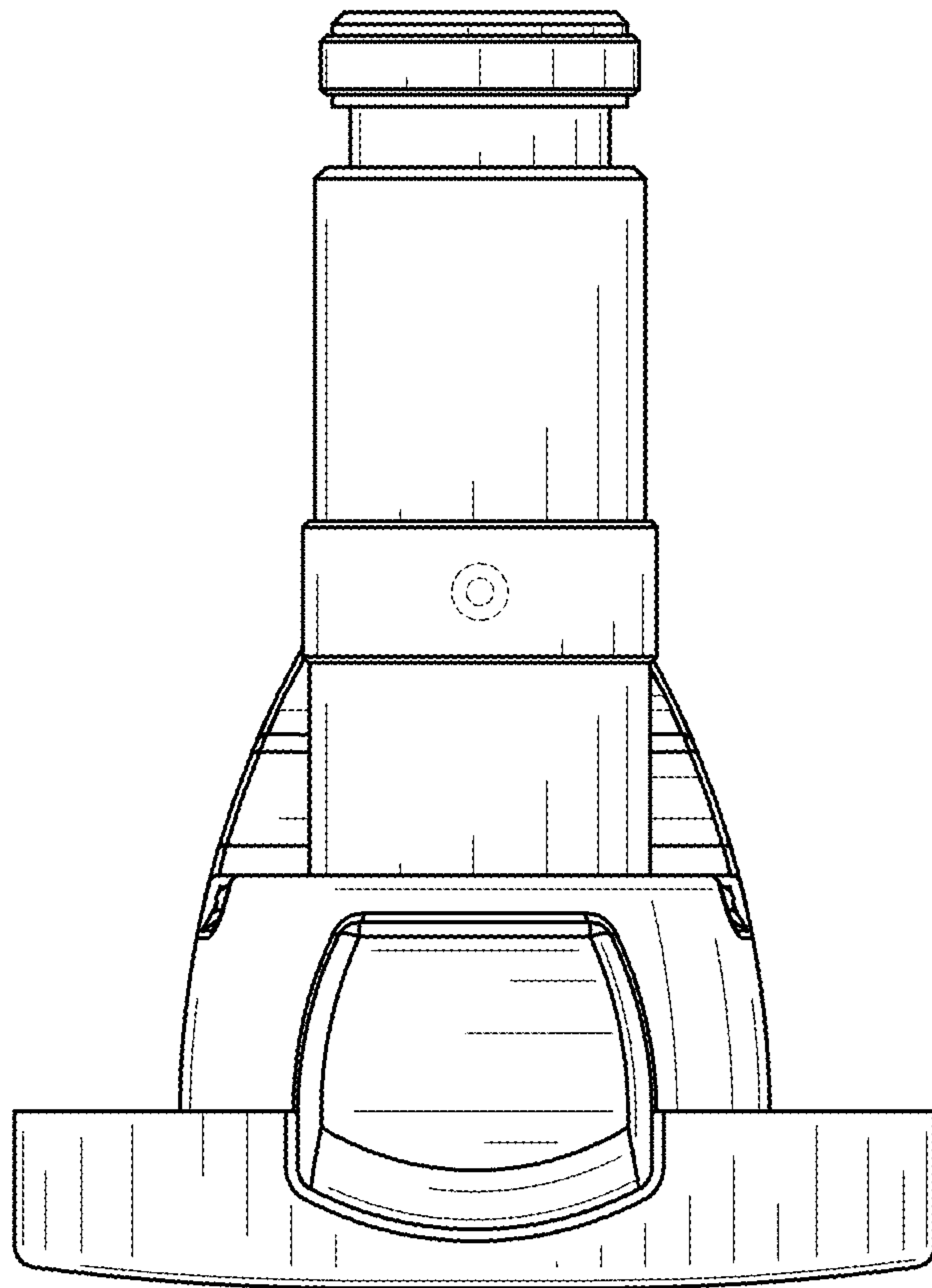


FIG.3

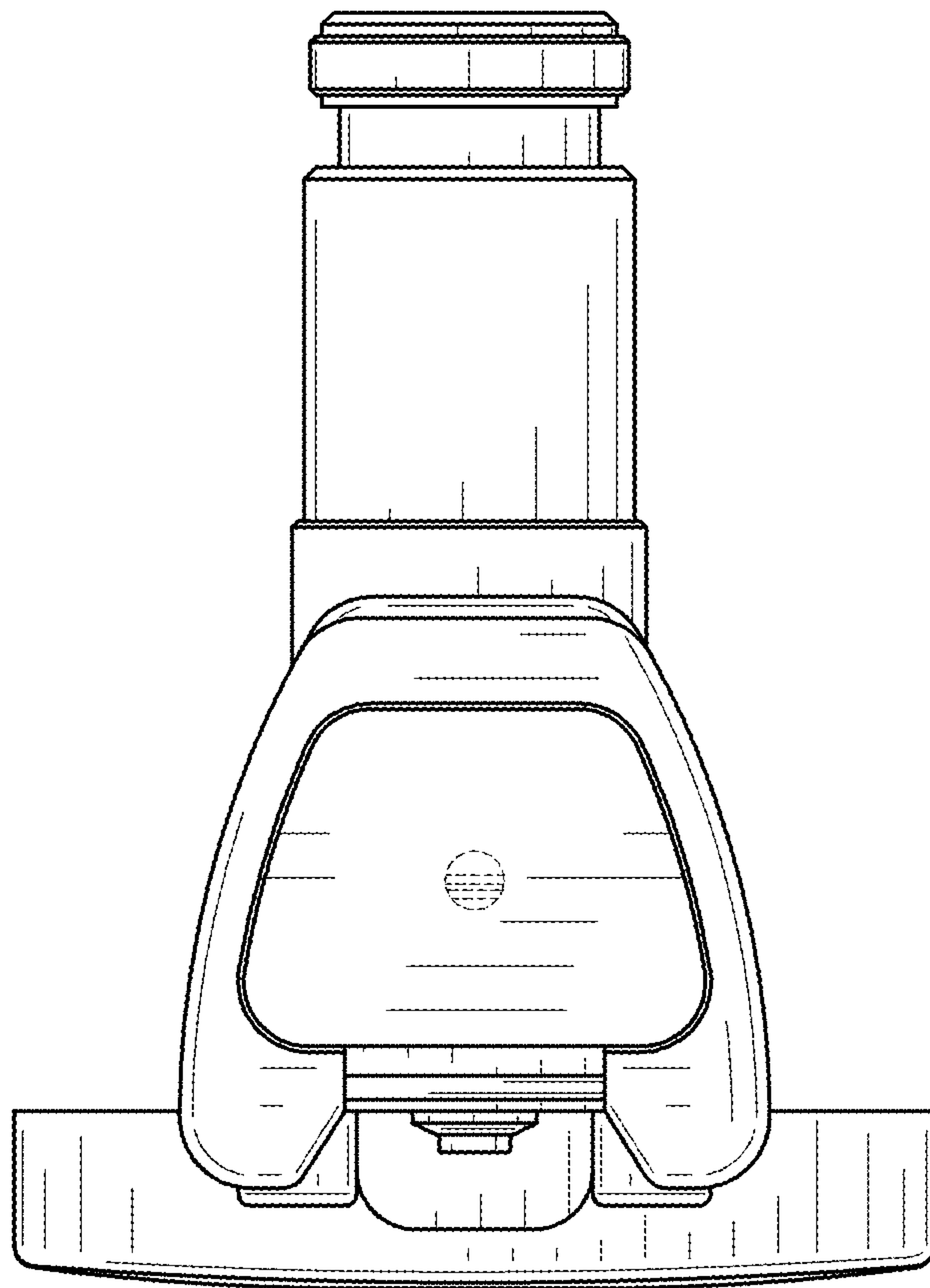


FIG. 4

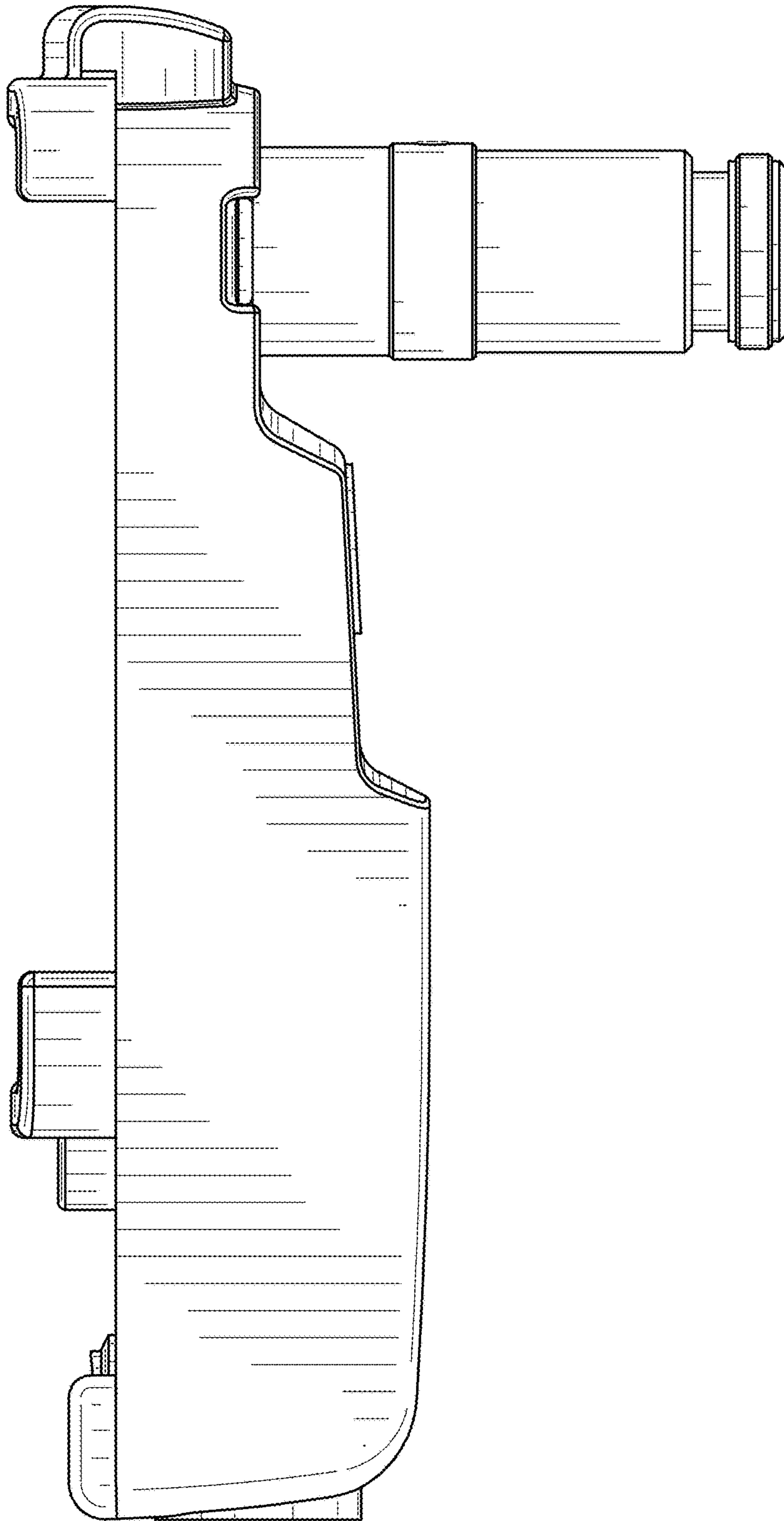


FIG.5

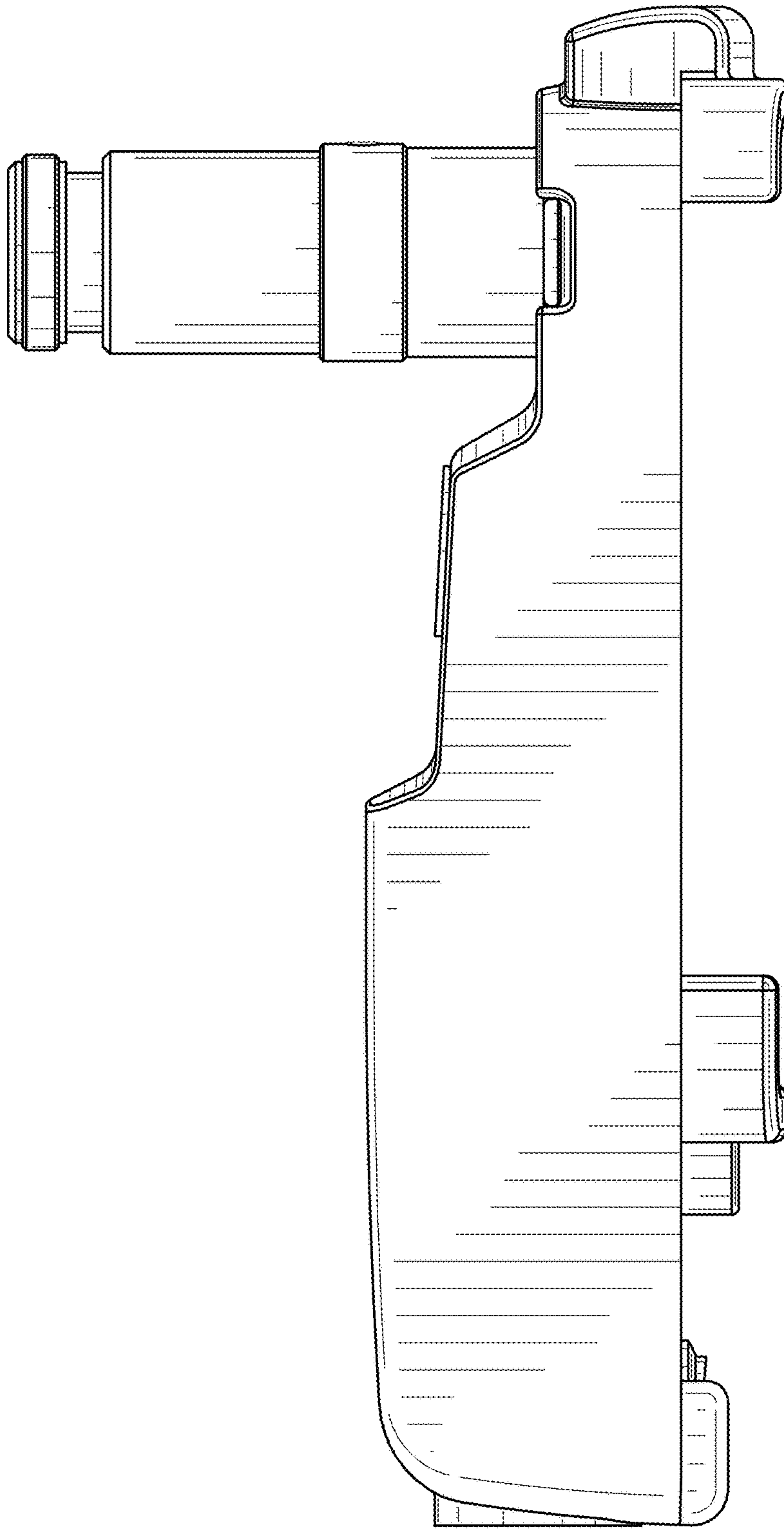


FIG.6

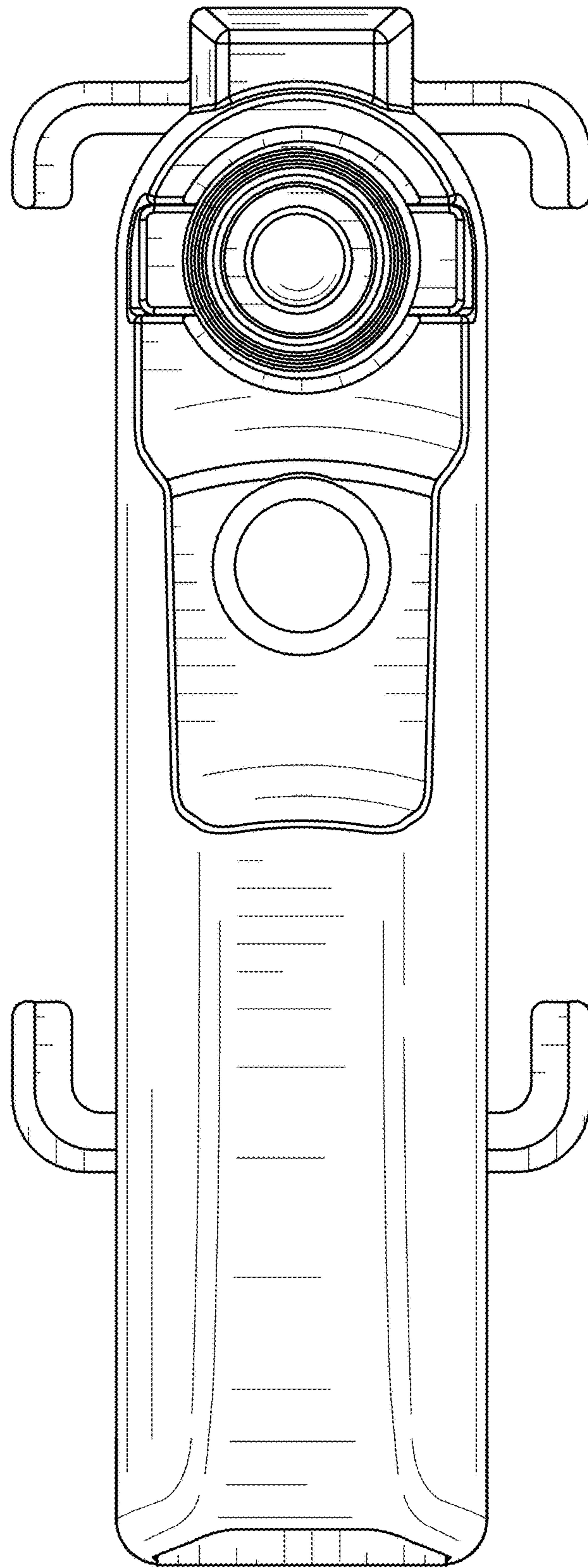


FIG. 7

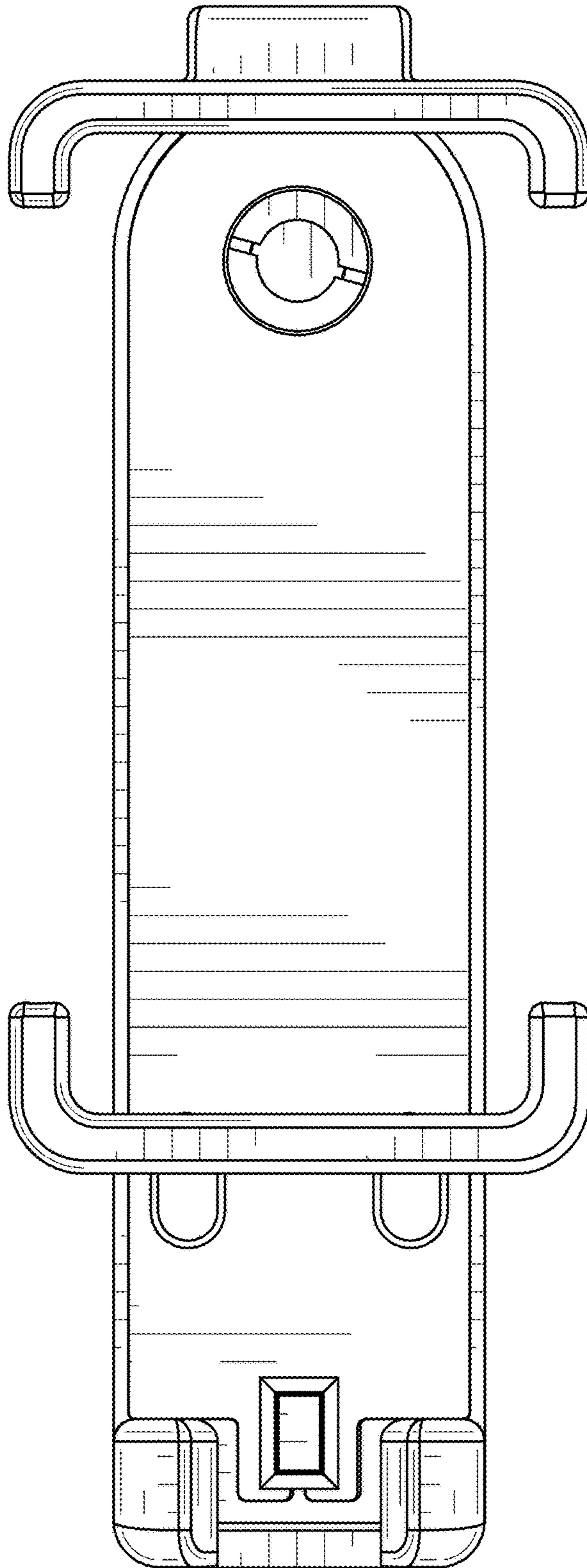


FIG. 8