



US00D776271S

(12) **United States Design Patent** (10) **Patent No.:** **US D776,271 S**
Lanzi et al. (45) **Date of Patent:** **** Jan. 10, 2017**

(54) **MEDICAL PROTECTIVE SHIELD**

(56) **References Cited**

(71) Applicant: **Hoffmann-La Roche Inc.**, Little Falls, NJ (US)

U.S. PATENT DOCUMENTS

(72) Inventors: **Sylvain Lanzi**, Arlesheim (CH); **Tania Reina**, Basel (CH); **Petra Pistelakova**, Biel-Benken (CH)

D486,909 S *	2/2004	Cise et al.	D24/129
D602,128 S *	10/2009	Williams et al.	D23/262
D621,037 S *	8/2010	Maxa et al.	D24/130
D621,038 S *	8/2010	Maxa et al.	D24/130
D626,648 S *	11/2010	Ahlgren	D24/130
D631,542 S *	1/2011	DeGross et al.	D24/129
D655,815 S *	3/2012	Miller et al.	D24/133
D663,836 S *	7/2012	Ruiz et al.	D24/133
D674,895 S *	1/2013	Rubin	D24/129
D678,522 S *	3/2013	Gustavsson	D24/130
D701,304 S *	3/2014	Lair et al.	D24/129
D704,336 S *	5/2014	Chon et al.	D24/144
8,968,380 B2 *	3/2015	Nimgaard	623/1.11

(73) Assignee: **HOFFMANN-LA ROCHE INC.**, Little Falls, NJ (US)

(**) Term: **14 Years**

* cited by examiner

(21) Appl. No.: **29/499,533**

Primary Examiner — David Muller

(22) Filed: **Aug. 15, 2014**

(30) **Foreign Application Priority Data**

(57) **CLAIM**

Feb. 18, 2014 (CH) 140507

We claim the ornamental design for the medical protective shield, as shown and described.

(51) **LOC (10) Cl.** **24-02**

DESCRIPTION

(52) **U.S. Cl.**
USPC **D24/127**

(58) **Field of Classification Search**
USPC D24/127-131, 112-114, 133, 186; 606/181, 606/185; 604/264, 523-528, 272, 187, 604/158, 164.01-164.11, 181, 184, 227; 600/101, 139, 143; 128/200.24, 207.14, 128/207.15

FIG. 1 is a front perspective view of our new design for a medical protective shield, featuring the top, front, and right sides thereof;

FIG. 2 is a rear perspective view of our new design for a medical protective shield, featuring the top, rear, and right sides thereof;

FIG. 3 is a left side elevation view thereof;

FIG. 4 is a front elevation view thereof; and,

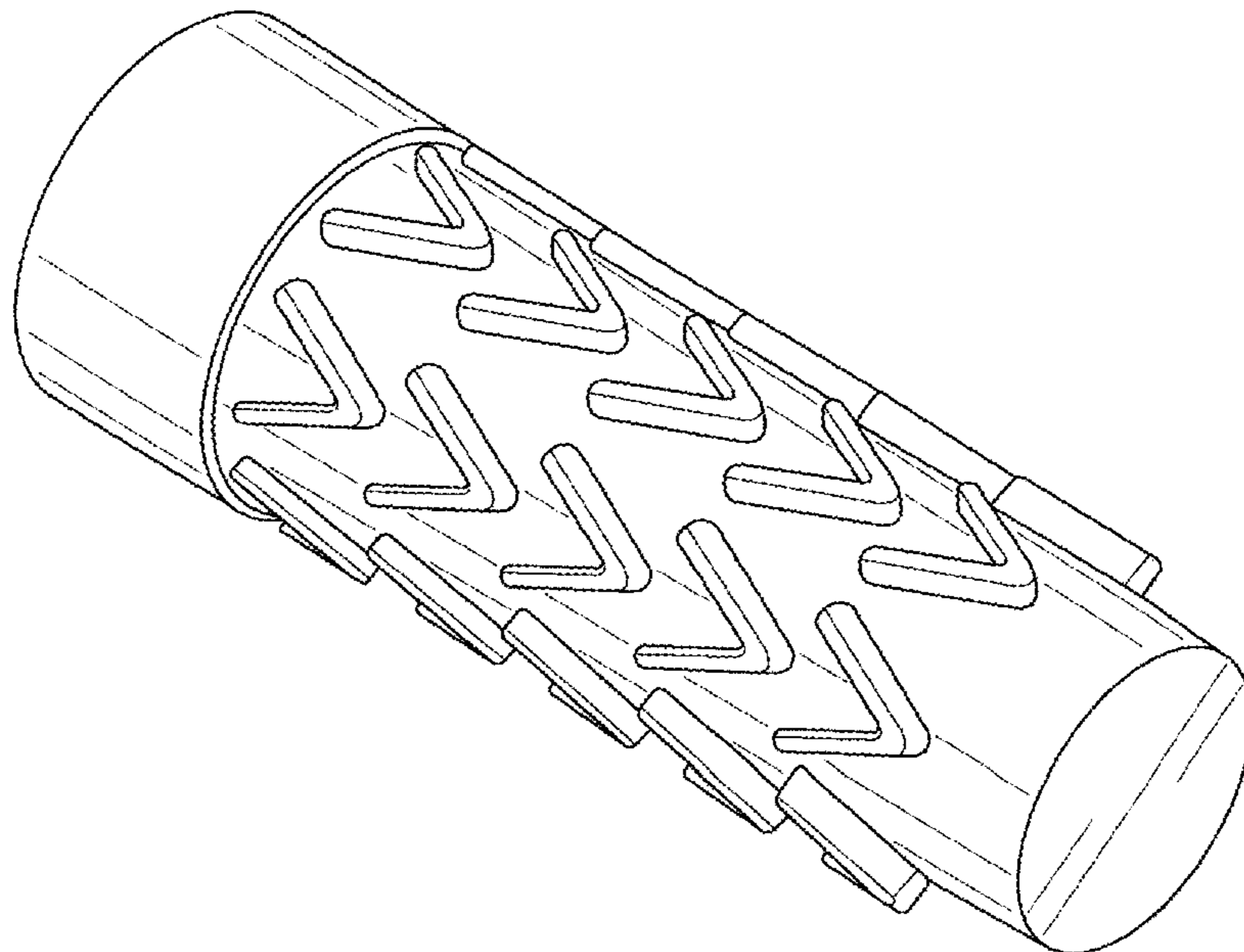
FIG. 5 is a rear elevation view thereof.

The broken line showing of parts of the drawings is included for the purpose of illustrating use and environment and forms no part of the claimed design.

CPC .. A61M 25/065; A61M 5/42; A61M 25/0612; A61M 25/00; A61M 39/00; A61M 27/00; A61M 25/0043; A61M 25/0067; A61M 25/0097; A61F 2/958

See application file for complete search history.

1 Claim, 4 Drawing Sheets



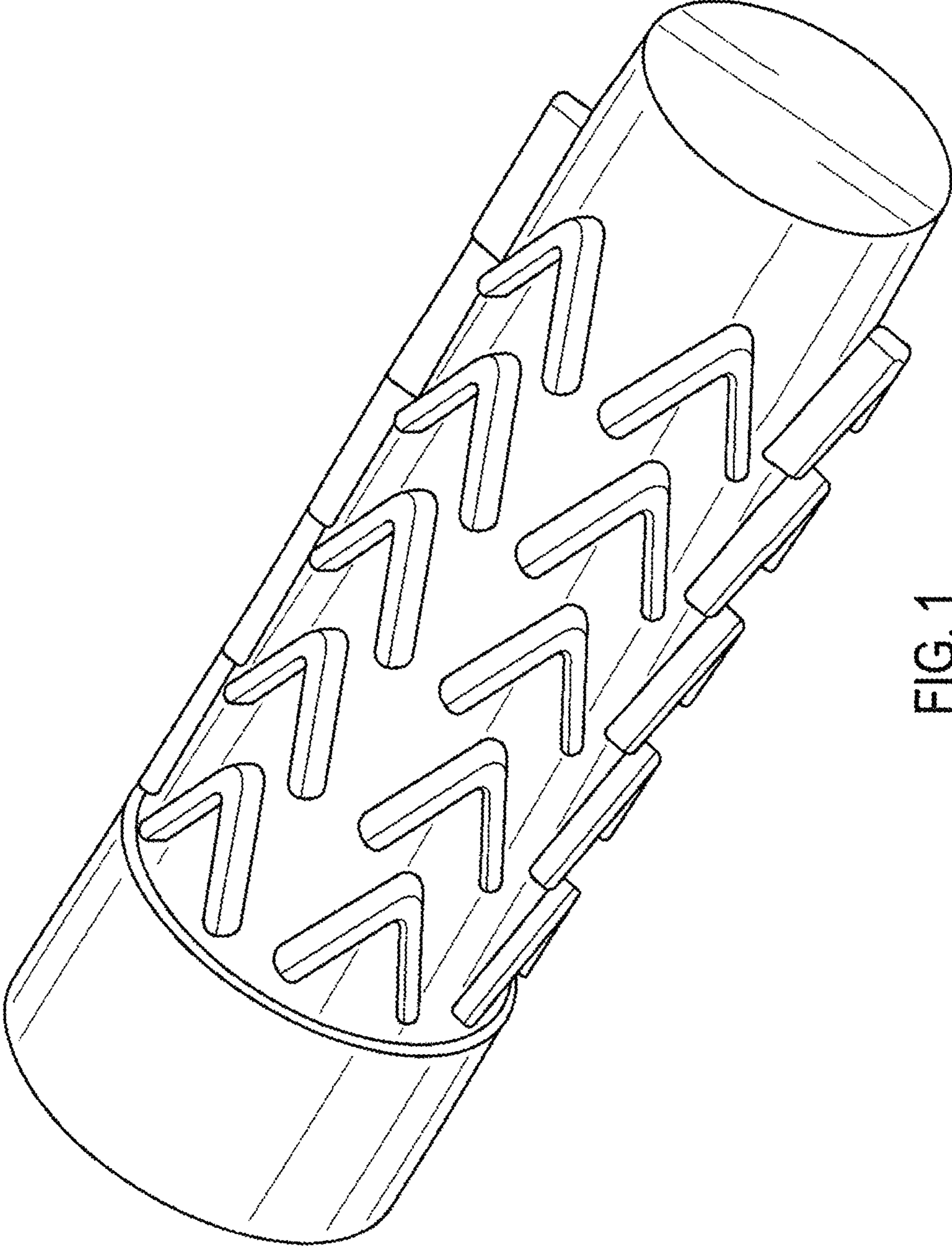


FIG. 1

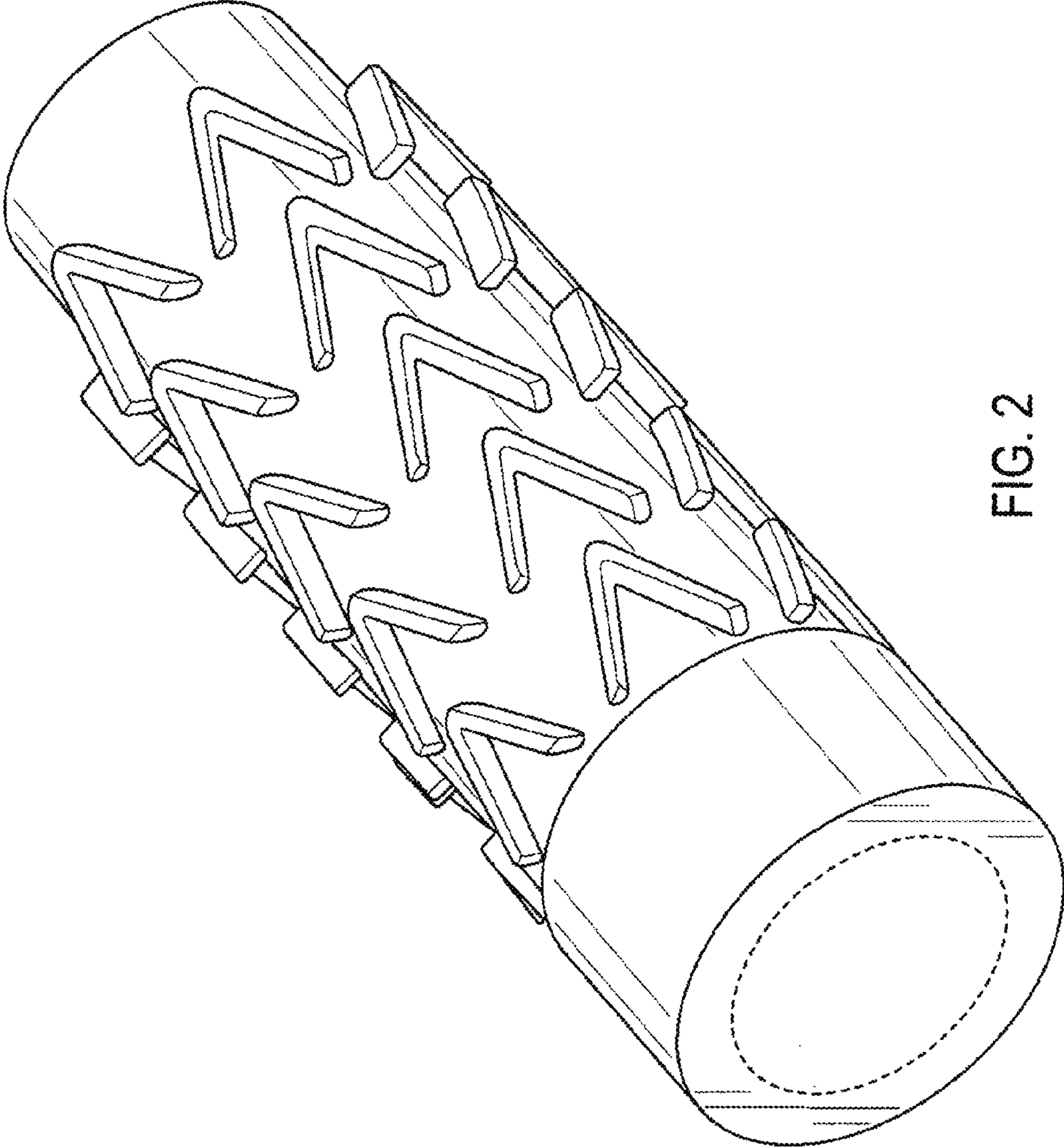


FIG. 2

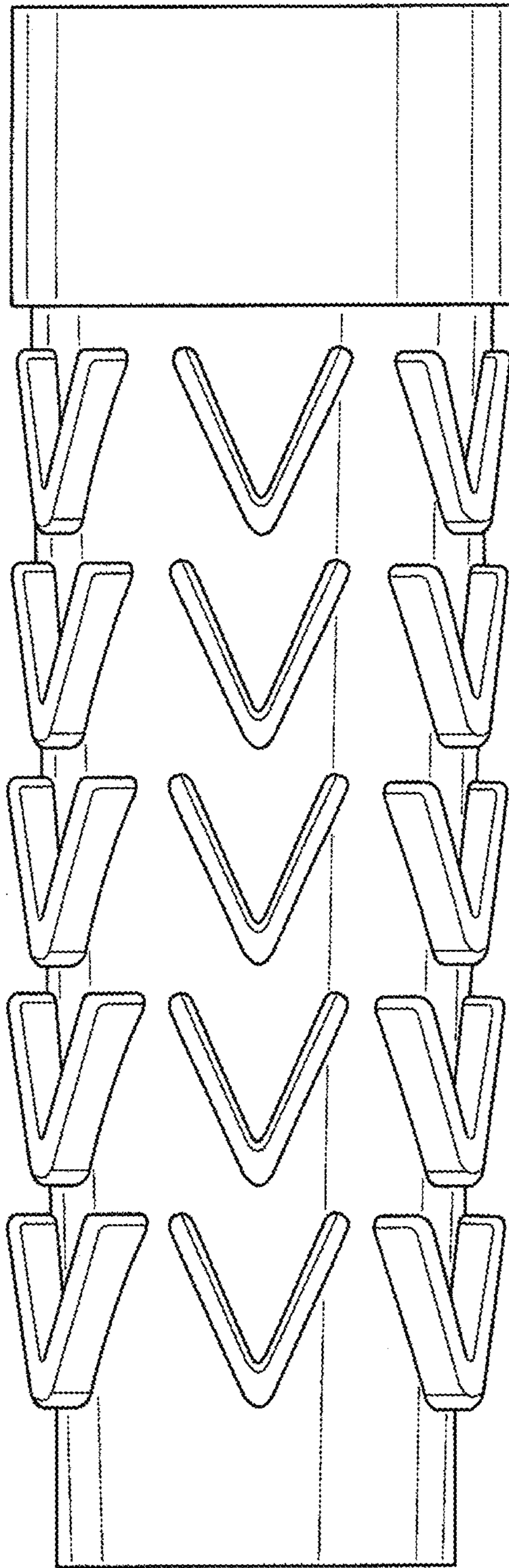


FIG. 3

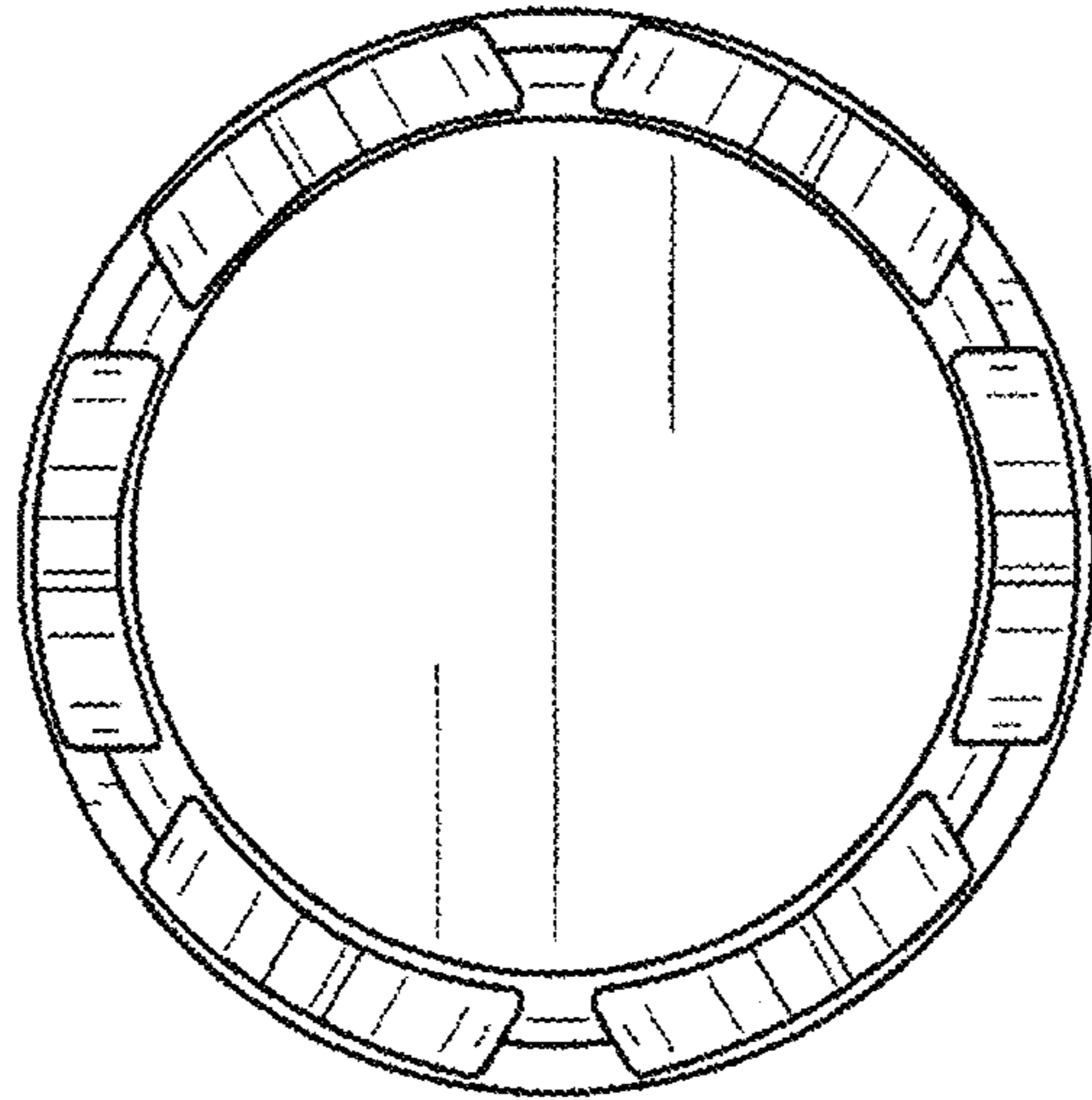


FIG. 4

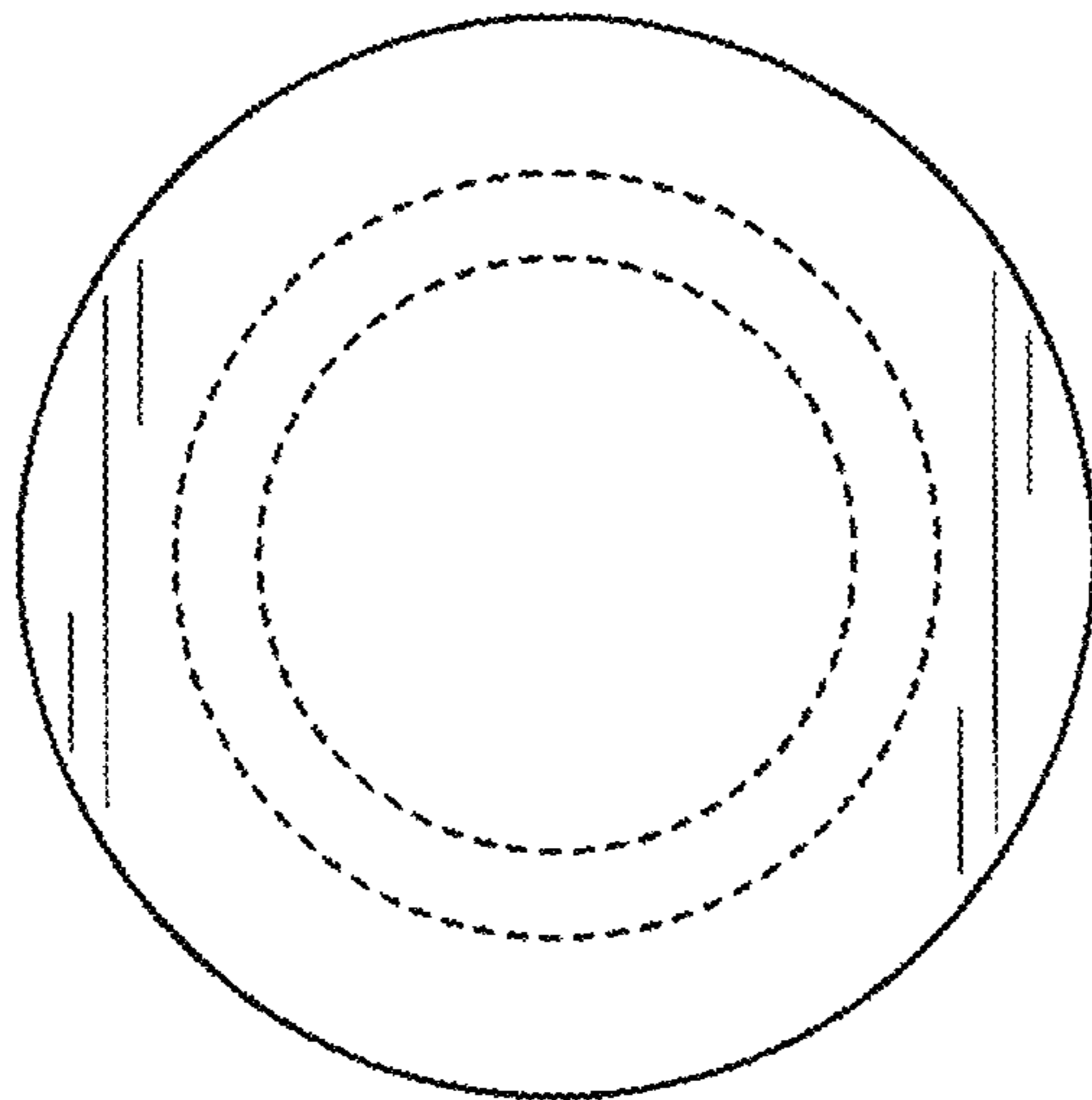


FIG. 5