



US00D776270S

(12) **United States Design Patent** (10) **Patent No.:** **US D776,270 S**
Wilcox et al. (45) **Date of Patent:** **** Jan. 10, 2017**

(54) **CONNECTION STATION FOR DRUG DELIVERY DEVICES**

D740,929 S * 10/2015 Pipe D24/108
D741,995 S * 10/2015 Prasser D24/113
D747,265 S * 1/2016 Marini D13/107
2011/0084651 A1* 4/2011 Caskey H01R 25/006
320/107

(71) Applicant: **Ares Trading SA**, Aubonne (CH)

(Continued)

(72) Inventors: **Alun Wilcox**, Richmond (GB);
Shunsuke Ishikawa, Hitachi (JP)

Primary Examiner — David Muller
Assistant Examiner — Nathan Johnston

(73) Assignee: **ARES TRADING SA**, Aubonne (CH)

(74) *Attorney, Agent, or Firm* — Nixon Peabody LLP

(**) Term: **14 Years**

(57) **CLAIM**

(21) Appl. No.: **29/496,953**

The ornamental design for connection station for drug delivery devices, as shown and described.

(22) Filed: **Jul. 18, 2014**

DESCRIPTION

(30) **Foreign Application Priority Data**

Jan. 23, 2014 (WO) DM/083119

(51) **LOC (10) Cl.** **24-01**

(52) **U.S. Cl.**
USPC **D24/127**

(58) **Field of Classification Search**

USPC D24/127, 107, 158, 160, 185–186, 231,
D24/232, 111, 169, 217; 128/922, 660.01,
128/660.02, 660.03, 660.07, 653;
600/437, 447, 217; D14/434, 447, 217;
D13/123, D13/107–108; D10/52
CPC A61M 5/14244; A61M 2005/14268
See application file for complete search history.

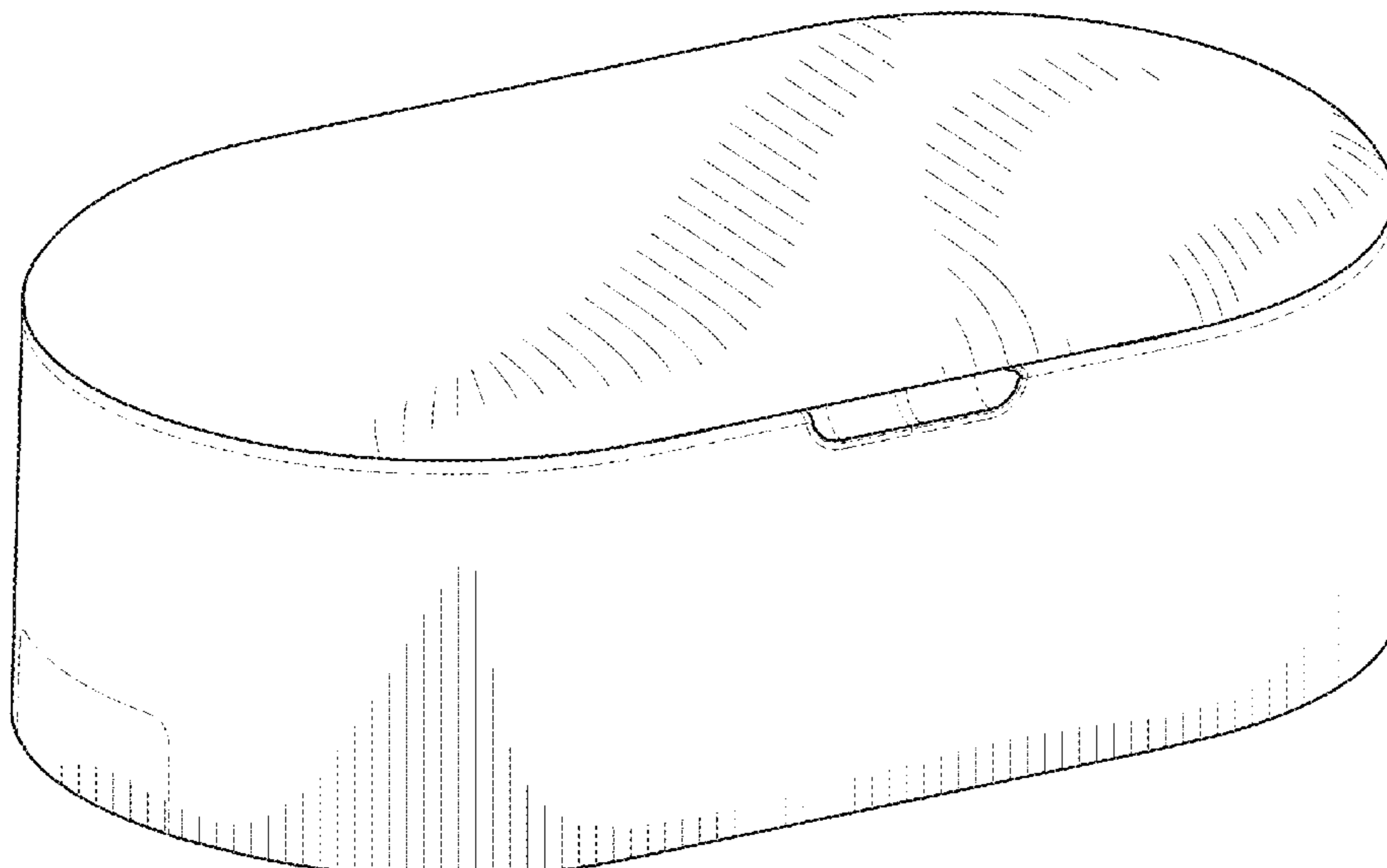
(56) **References Cited**

U.S. PATENT DOCUMENTS

D550,210 S * 9/2007 Polany D14/217
D553,077 S * 10/2007 Kim D13/108
D591,270 S * 4/2009 Jakobson D14/217
D610,983 S * 3/2010 Wai D13/108
D695,393 S * 12/2013 Tani D24/113
D734,384 S * 7/2015 Han D14/253
D735,132 S * 7/2015 Donohue, II D13/108

FIG. 1 is a perspective view of a connection station for drug delivery devices in a closed position.
FIG. 2 is another perspective view thereof.
FIG. 3 is a front elevation view thereof.
FIG. 4 is a rear elevation view thereof.
FIG. 5 is a top plan view thereof.
FIG. 6 is a bottom plan view thereof.
FIG. 7 is a left side elevation view thereof.
FIG. 8 is a right side elevation view thereof.
FIG. 9 is a perspective view of the connection station for drug delivery devices in an open position.
FIG. 10 is another perspective view thereof.
FIG. 11 is a top plan view thereof.
FIG. 12 is a perspective view of the connection station for drug delivery devices connected to a drug delivery device.
FIG. 13 is another perspective view thereof.
FIG. 14 is a front elevation view thereof.
FIG. 15 is a rear elevation view thereof.
FIG. 16 is a top plan view thereof.
FIG. 17 is a bottom plan view thereof.
FIG. 18 is a left side elevation view thereof; and,
FIG. 19 is a right side elevation view thereof.
The broken lines depict unclaimed environmental subject matter.

1 Claim, 19 Drawing Sheets



(56)

References Cited

U.S. PATENT DOCUMENTS

2015/0174324 A1* 6/2015 Wurmbauer A61M 5/20
604/157
2015/0290394 A1* 10/2015 Murakami A61M 5/20
604/518

* cited by examiner

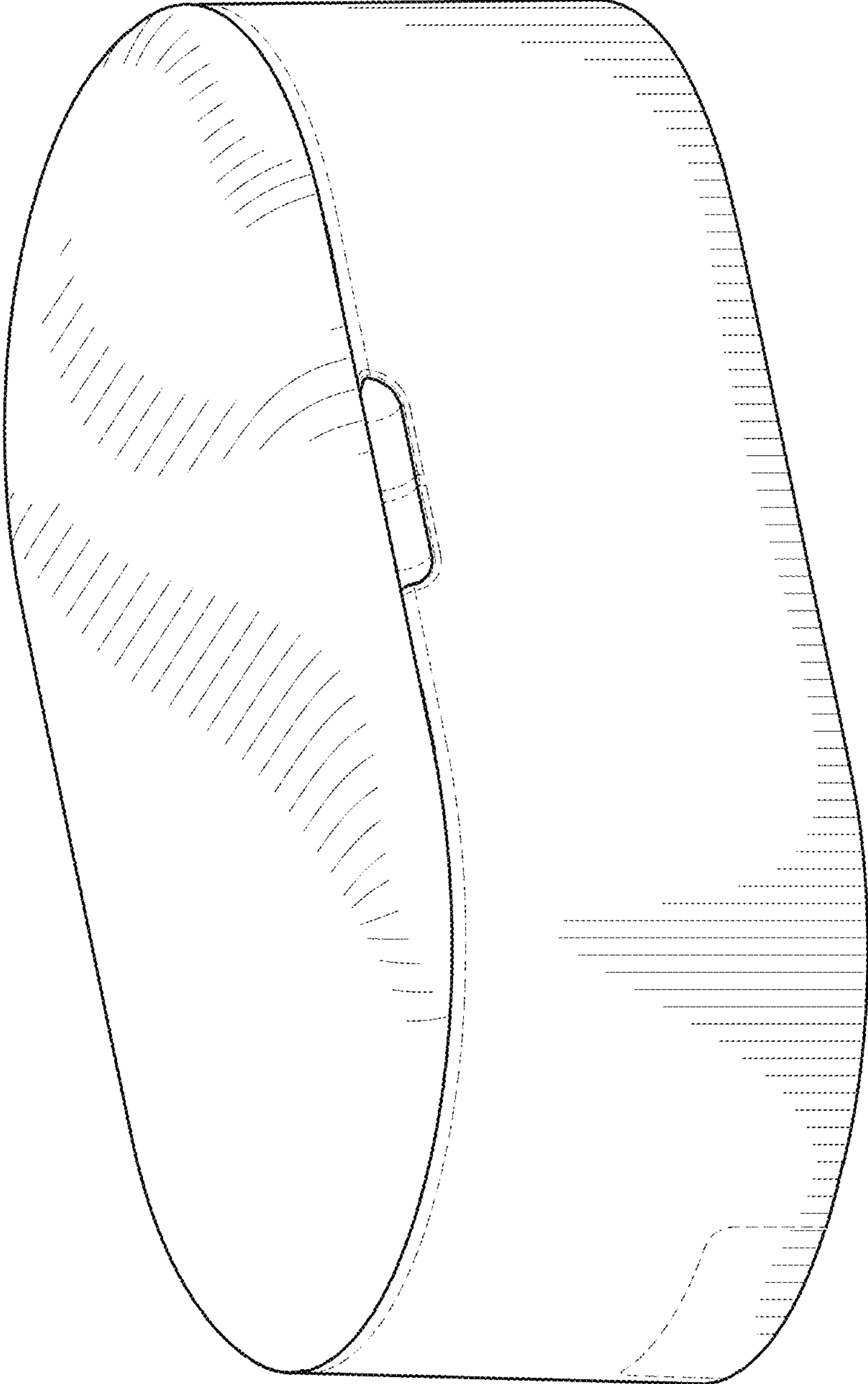


FIG. 1

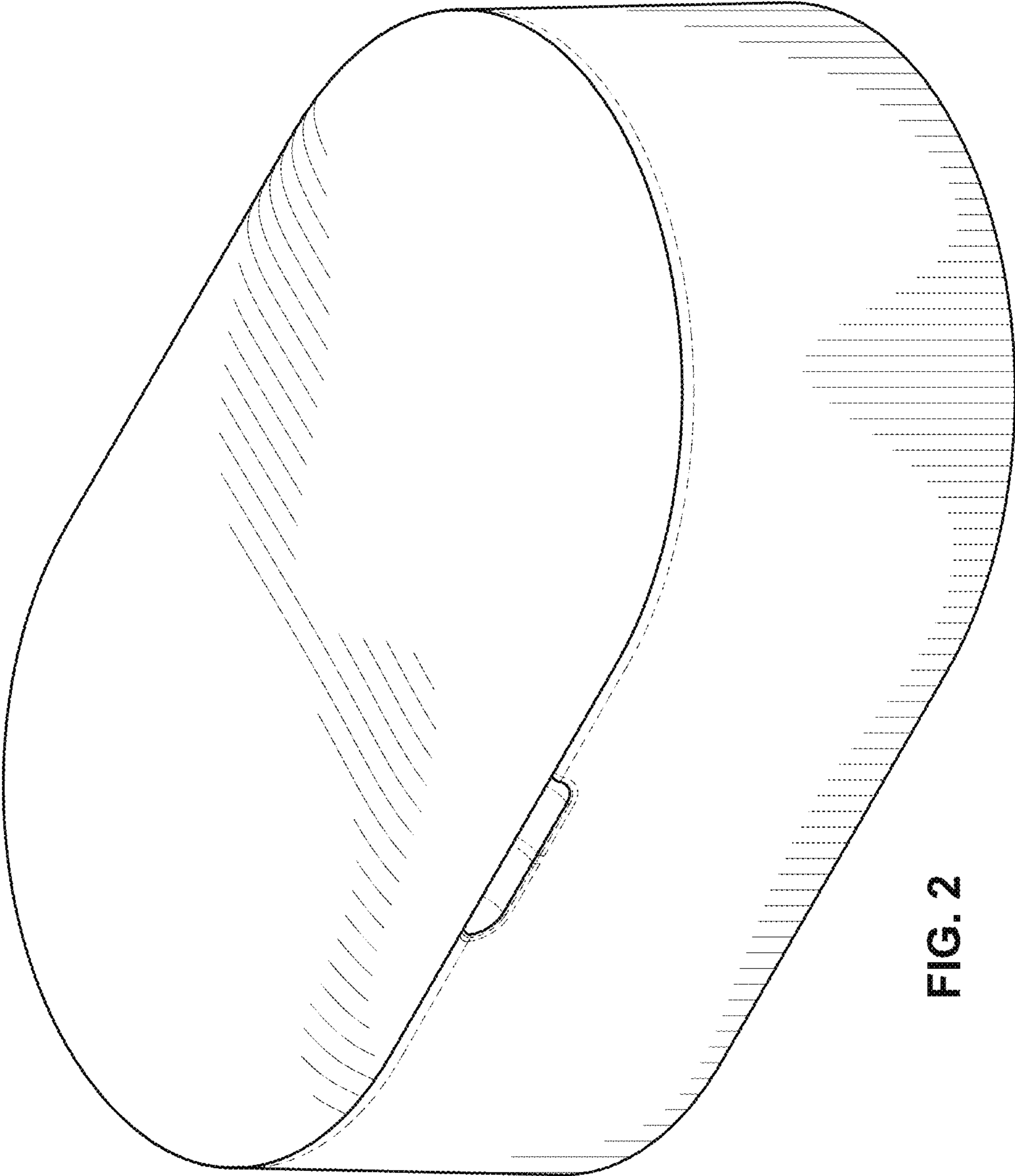


FIG. 2

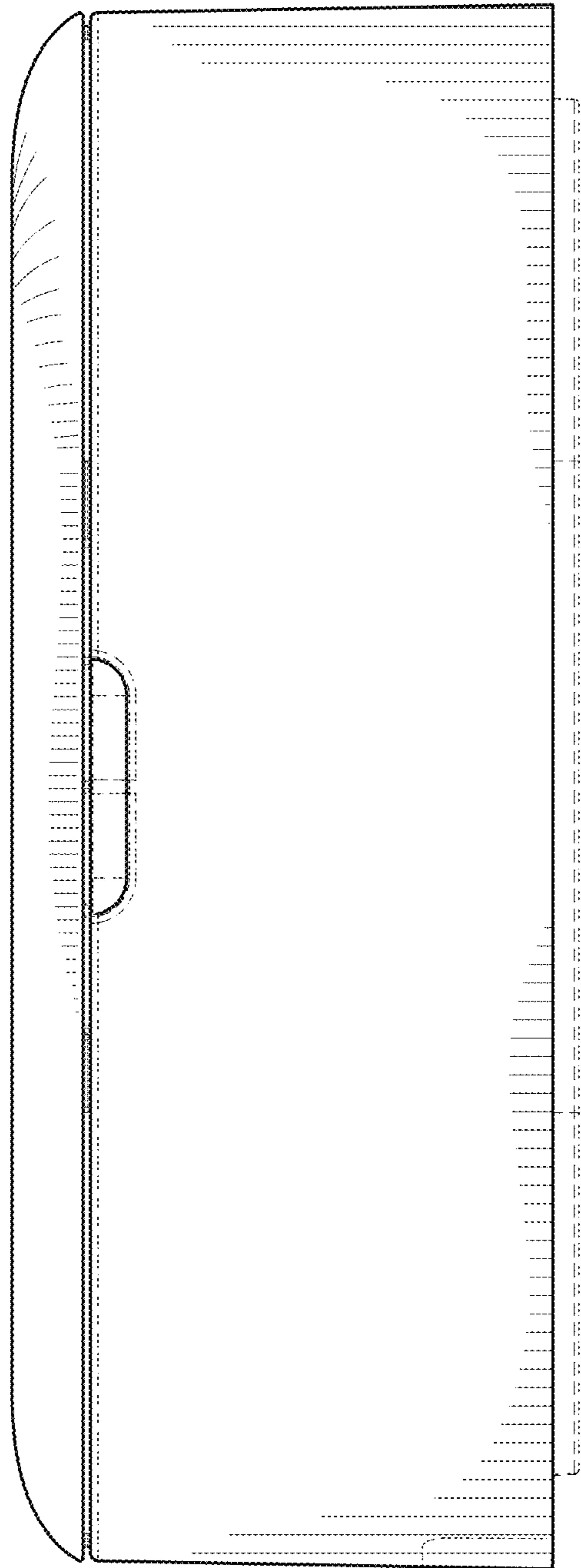


FIG. 3

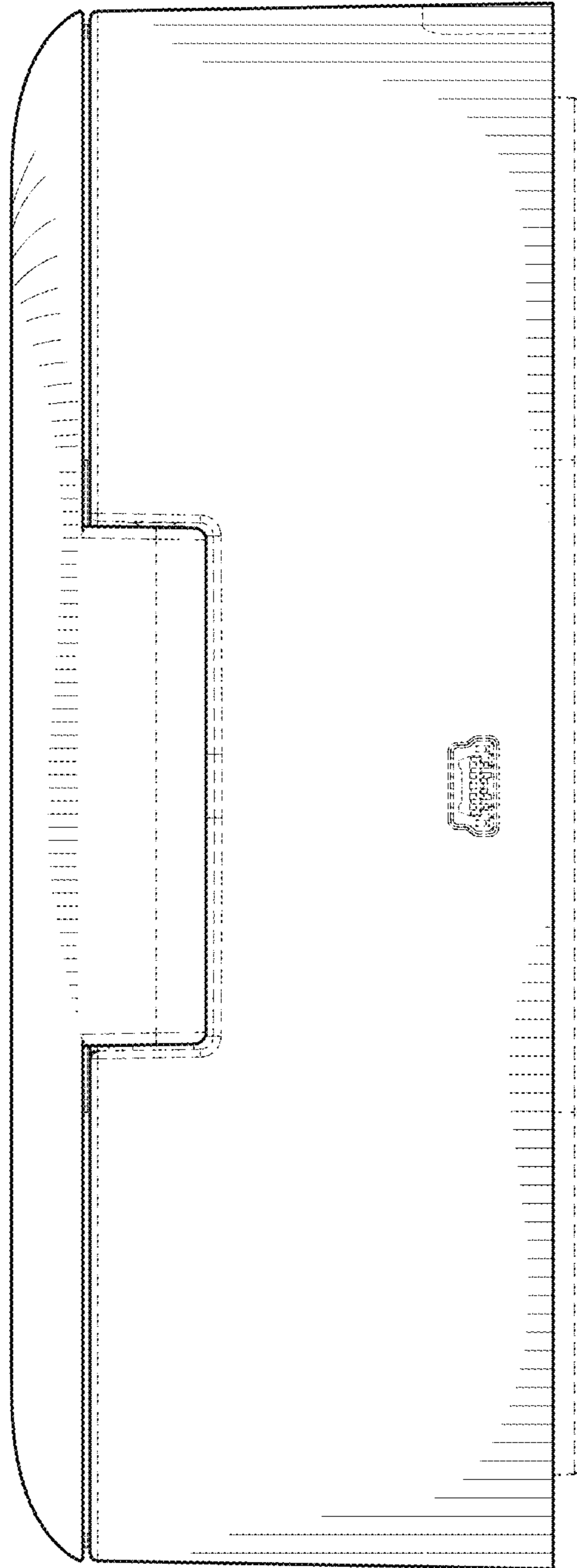


FIG. 4

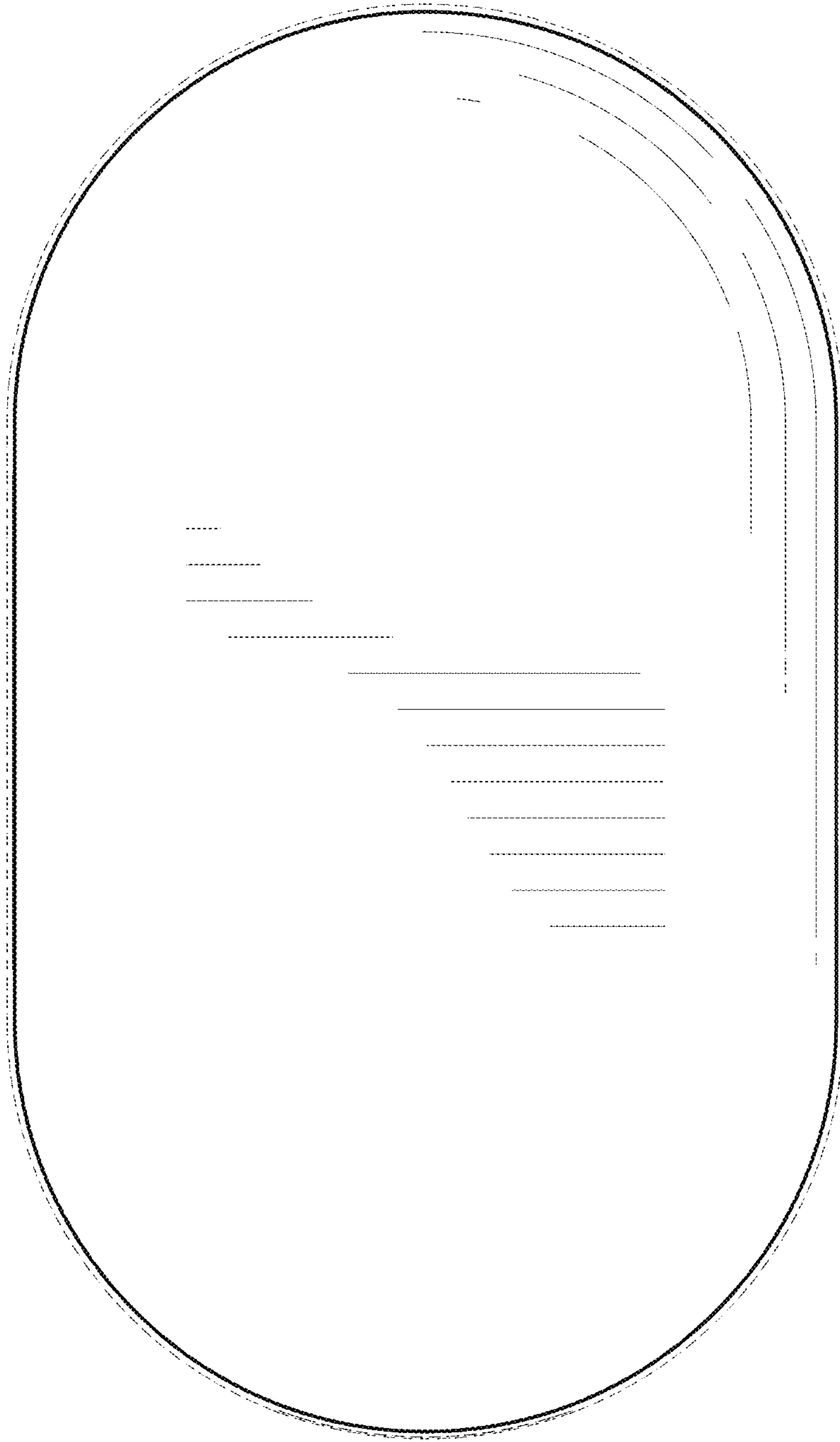


FIG. 5

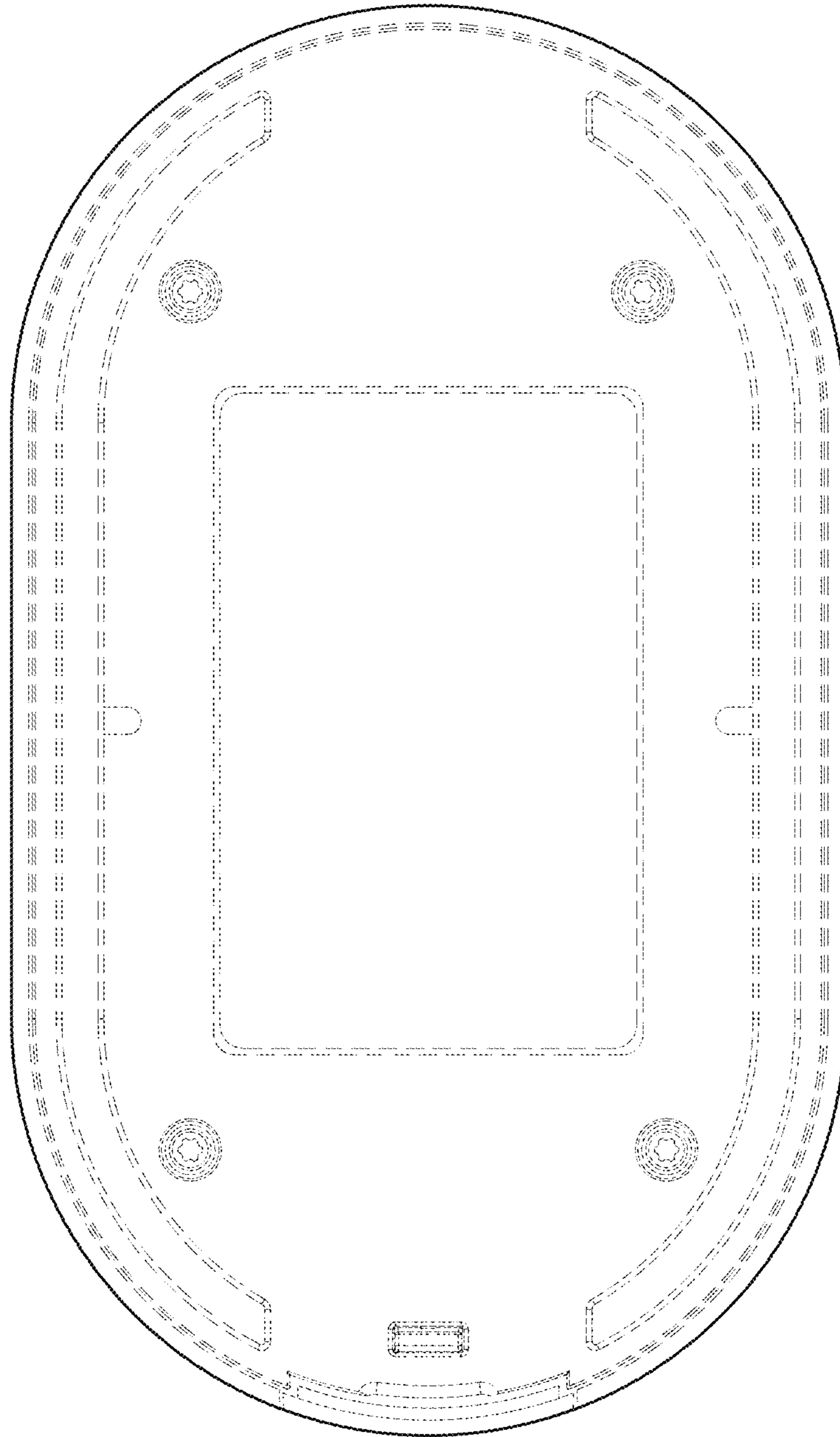


FIG. 6

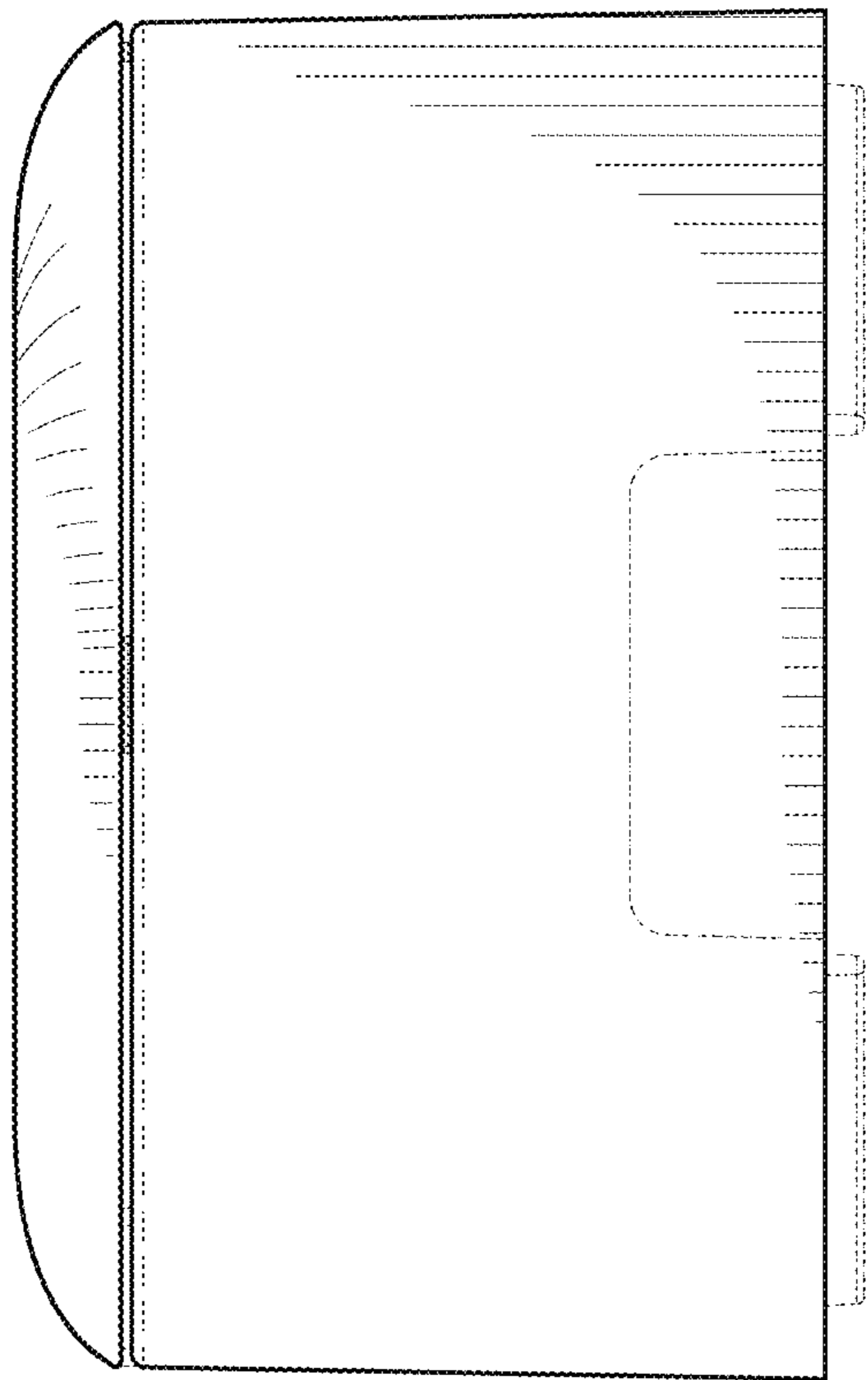


FIG. 7

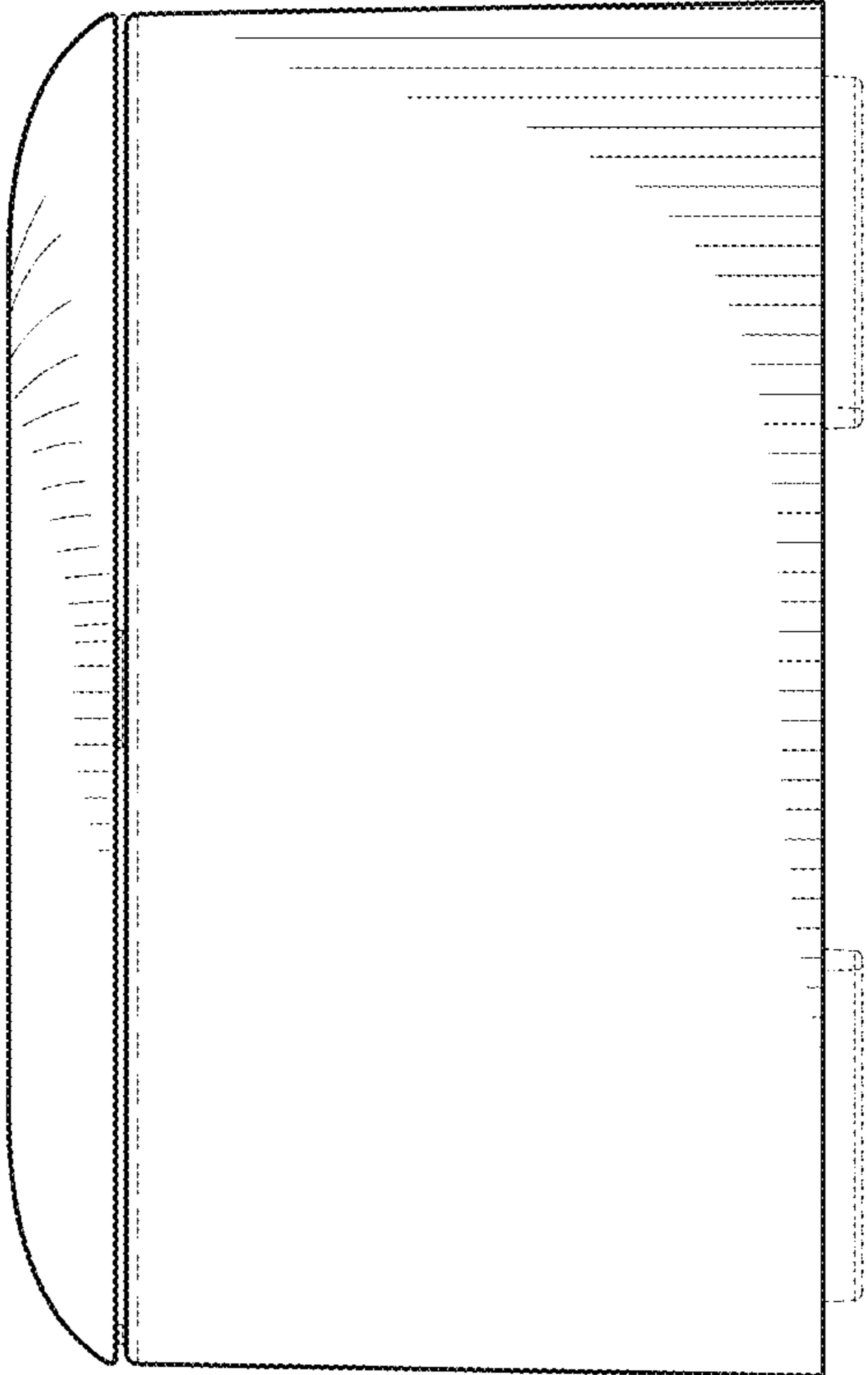


FIG. 8

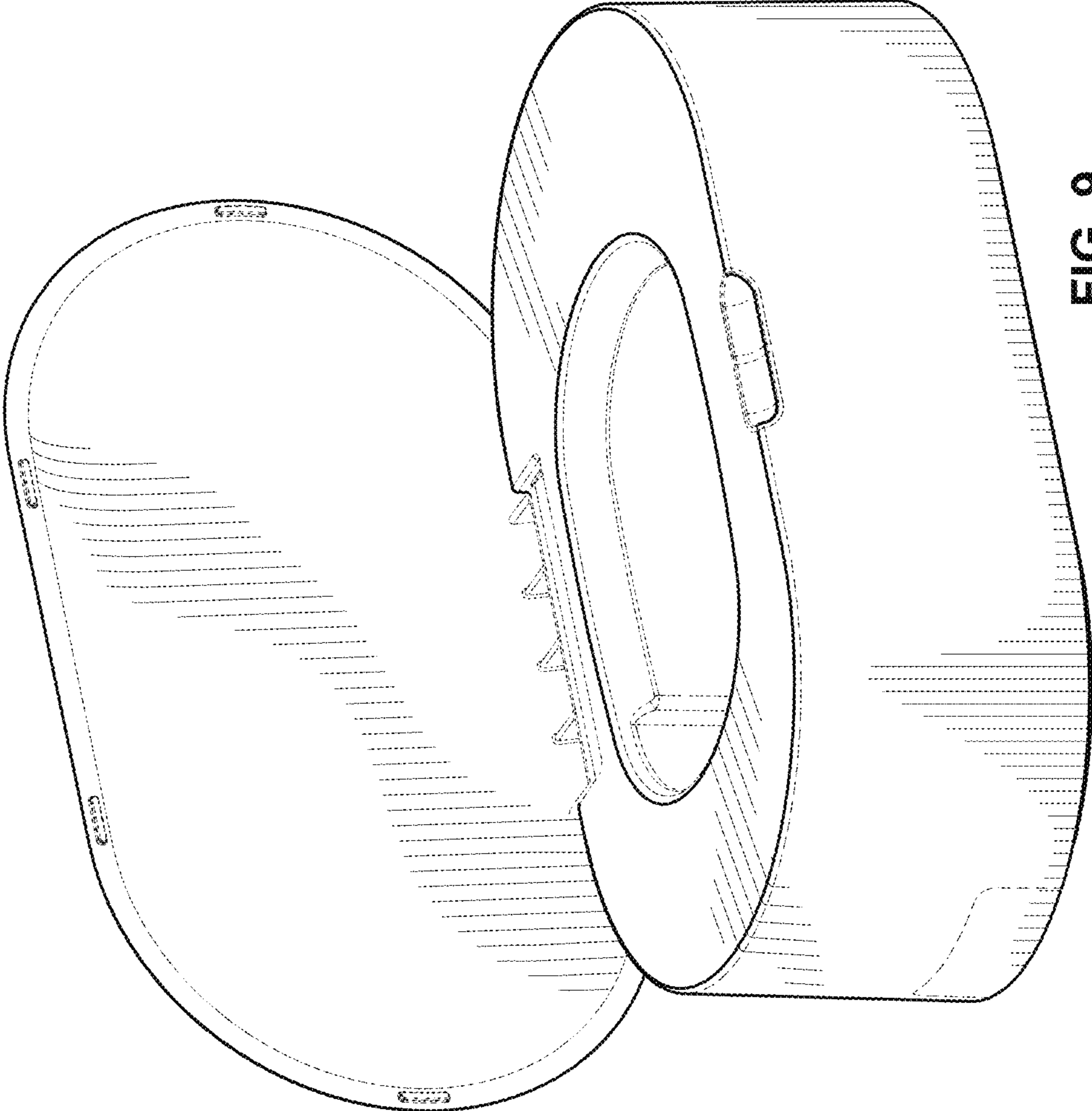


FIG. 9

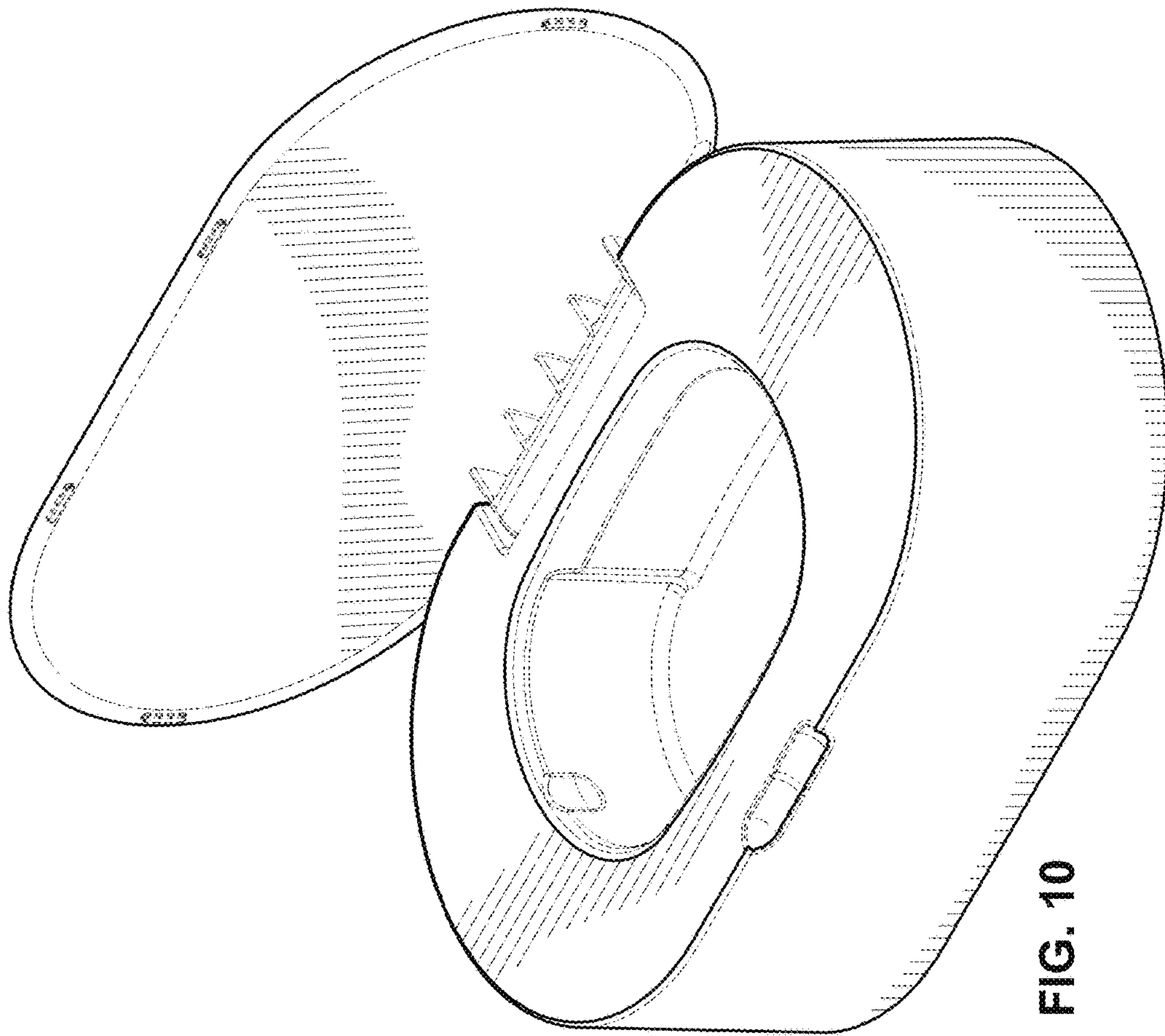


FIG. 10

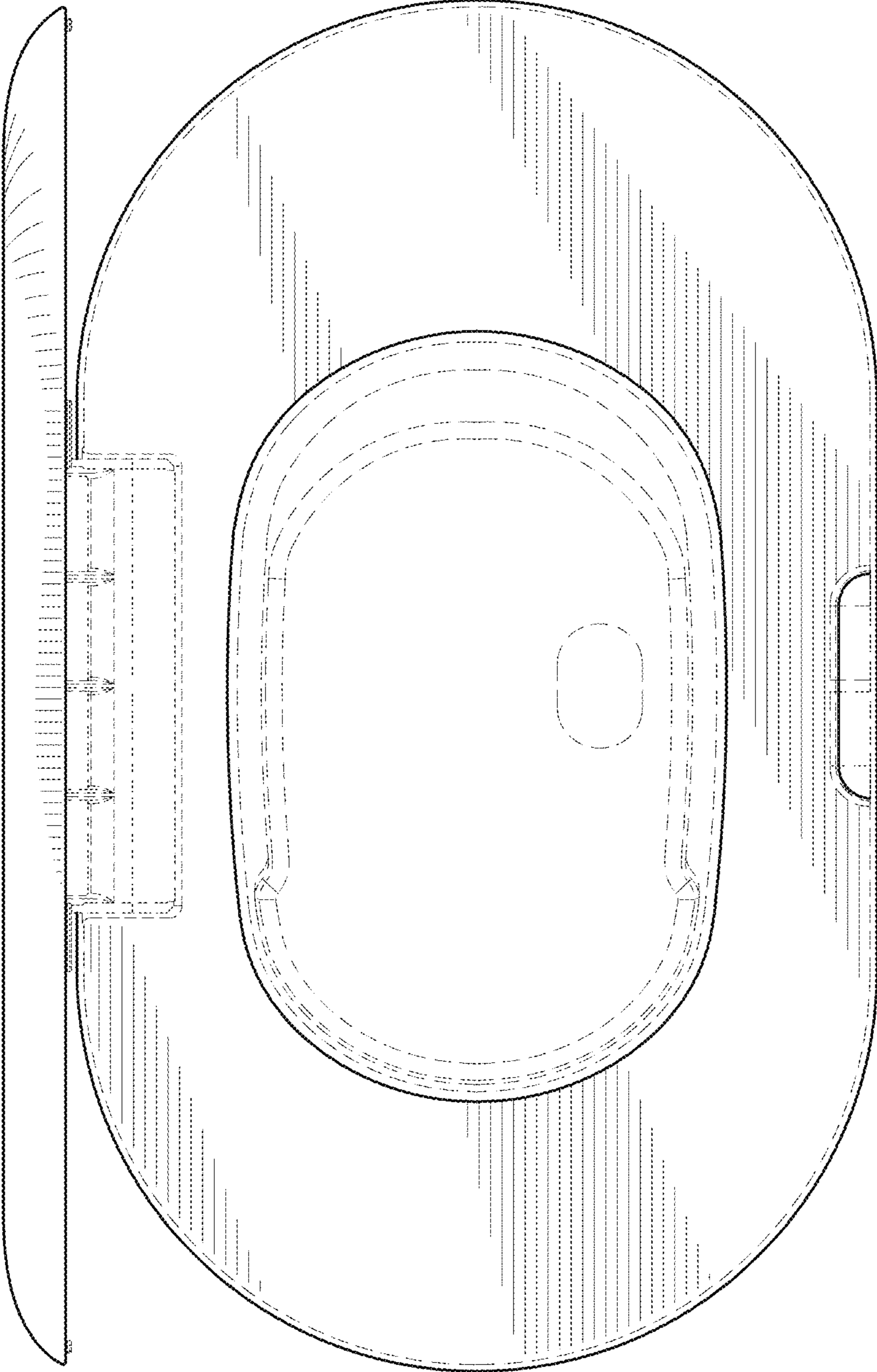


FIG. 11

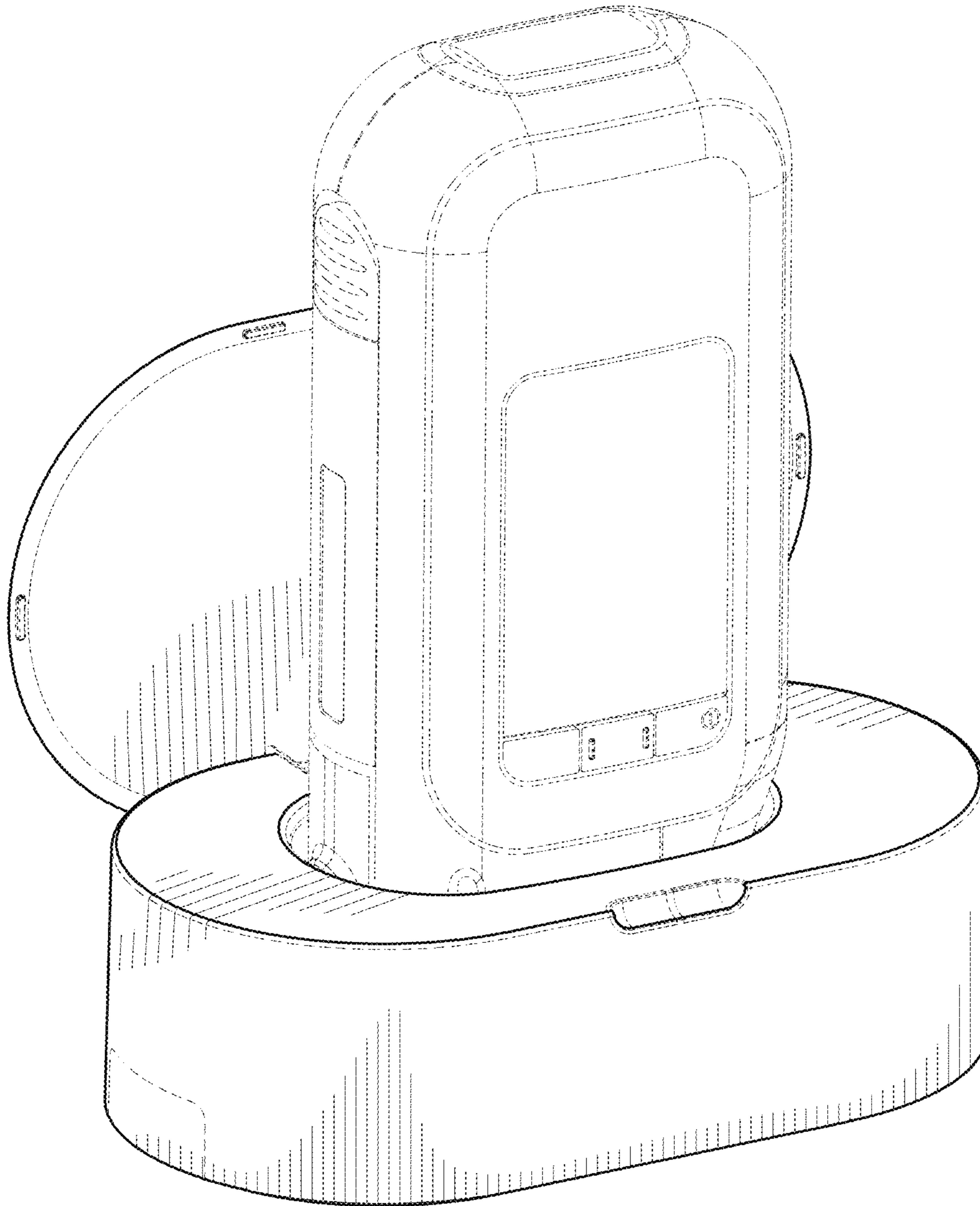


FIG. 12

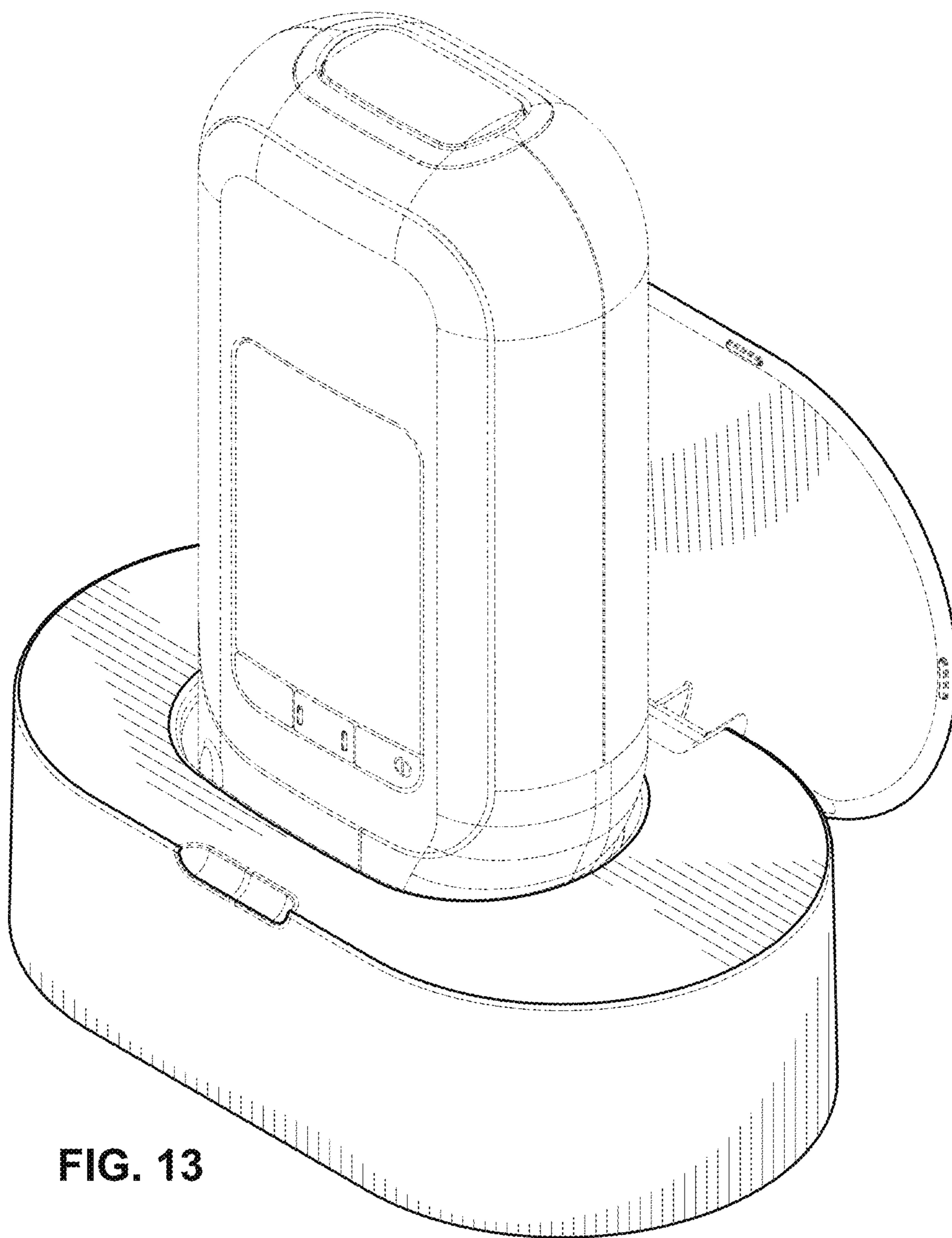


FIG. 13

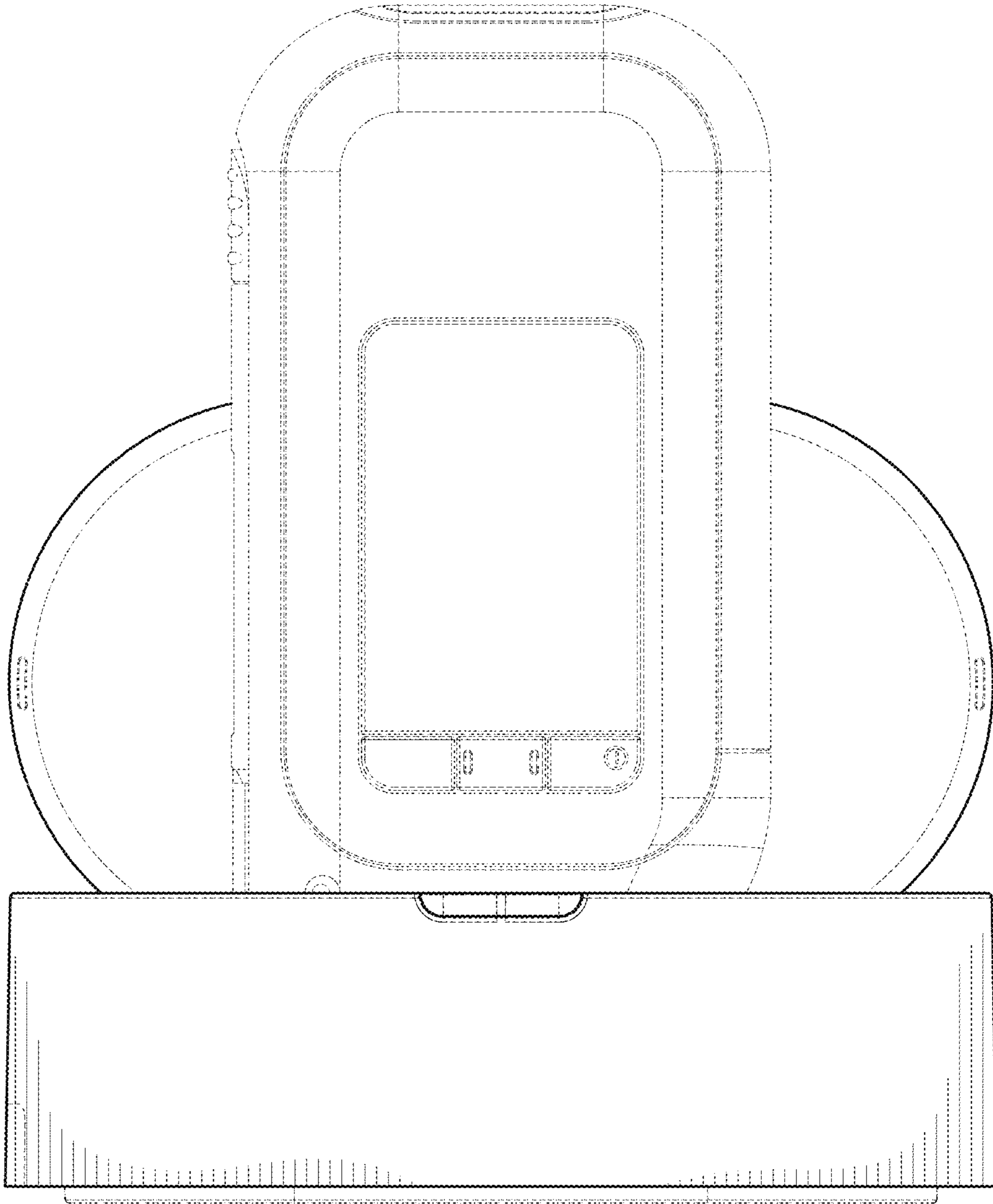


FIG. 14

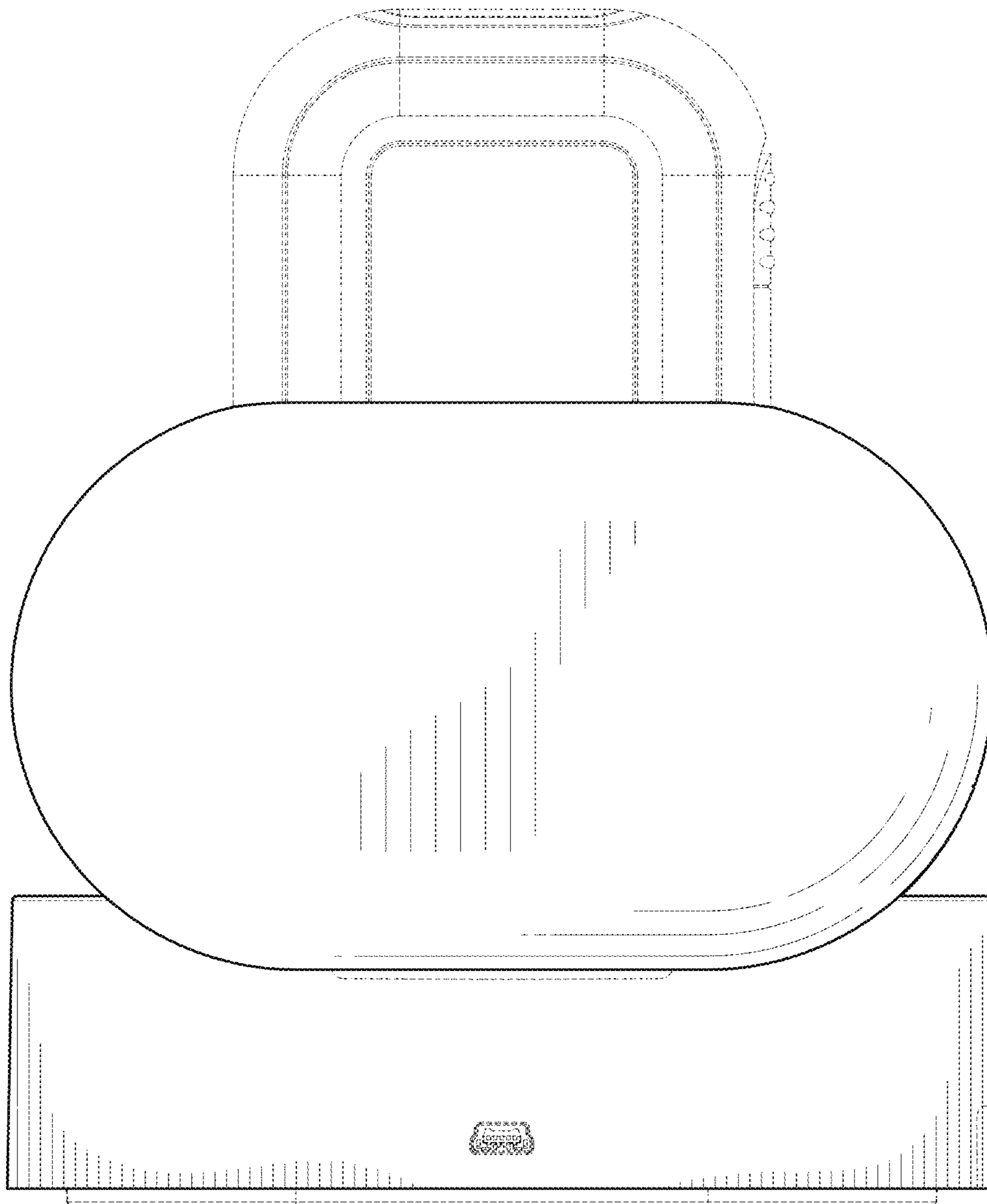


FIG. 15

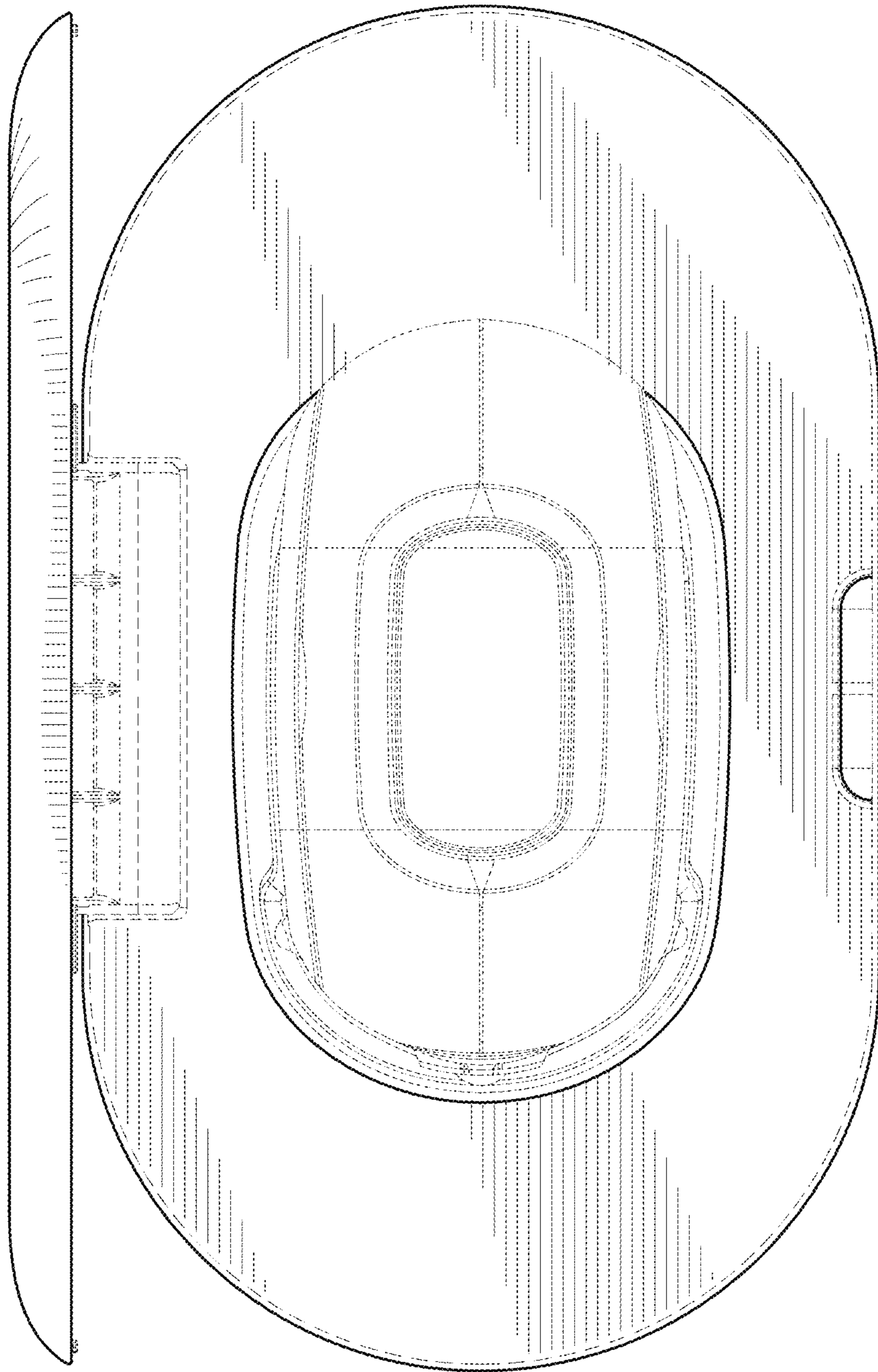


FIG. 16

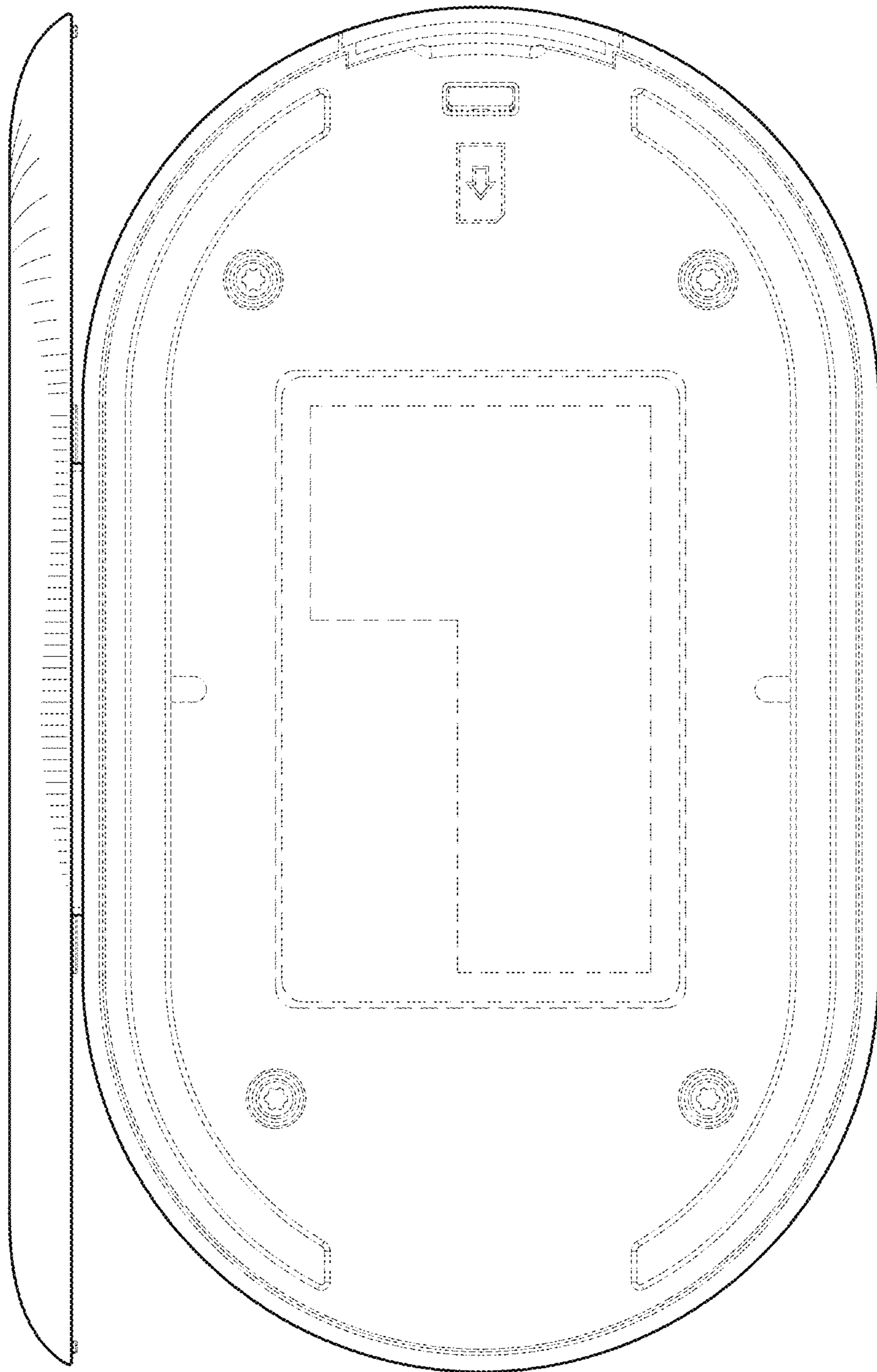


FIG. 17

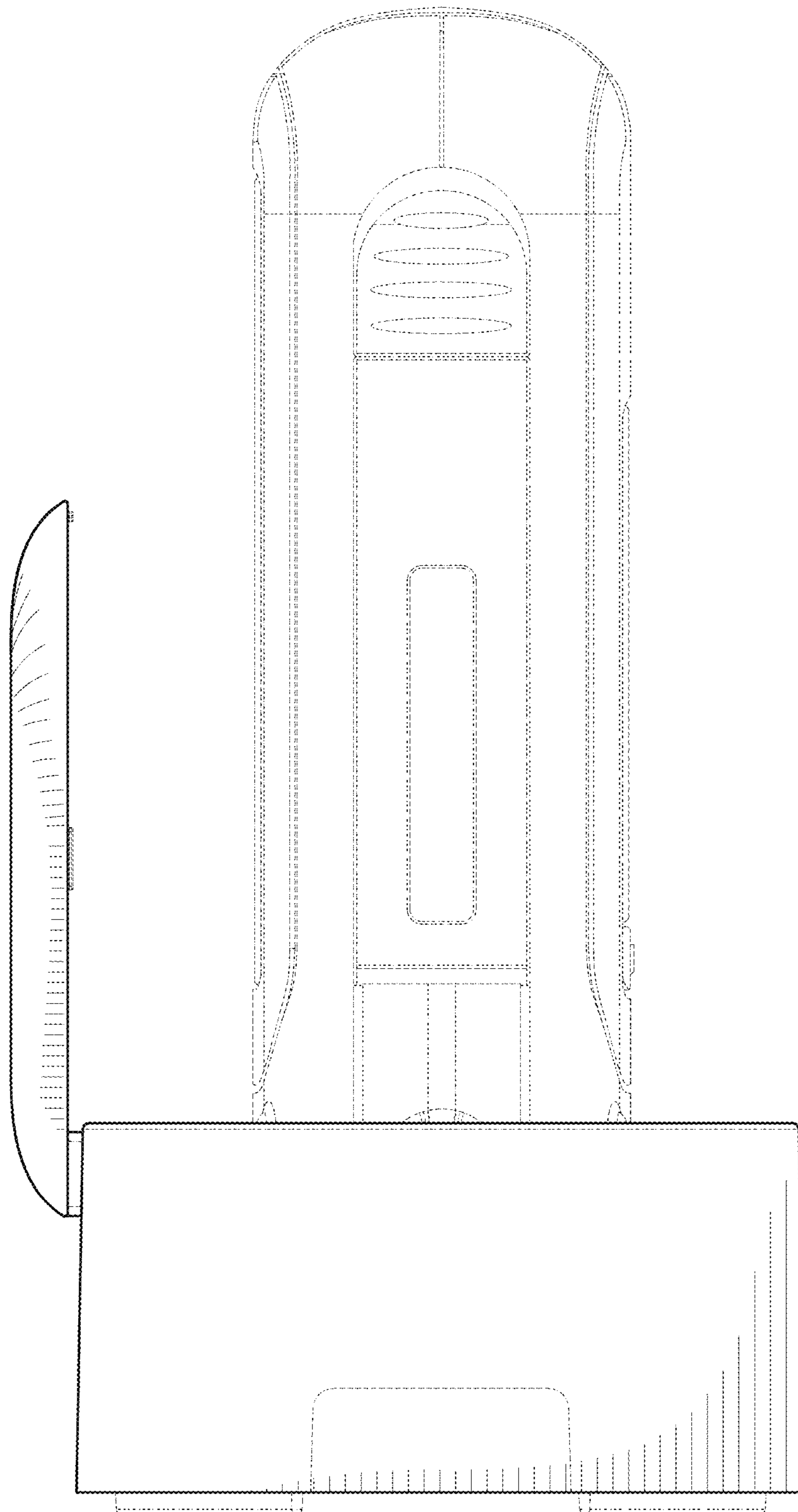


FIG. 18

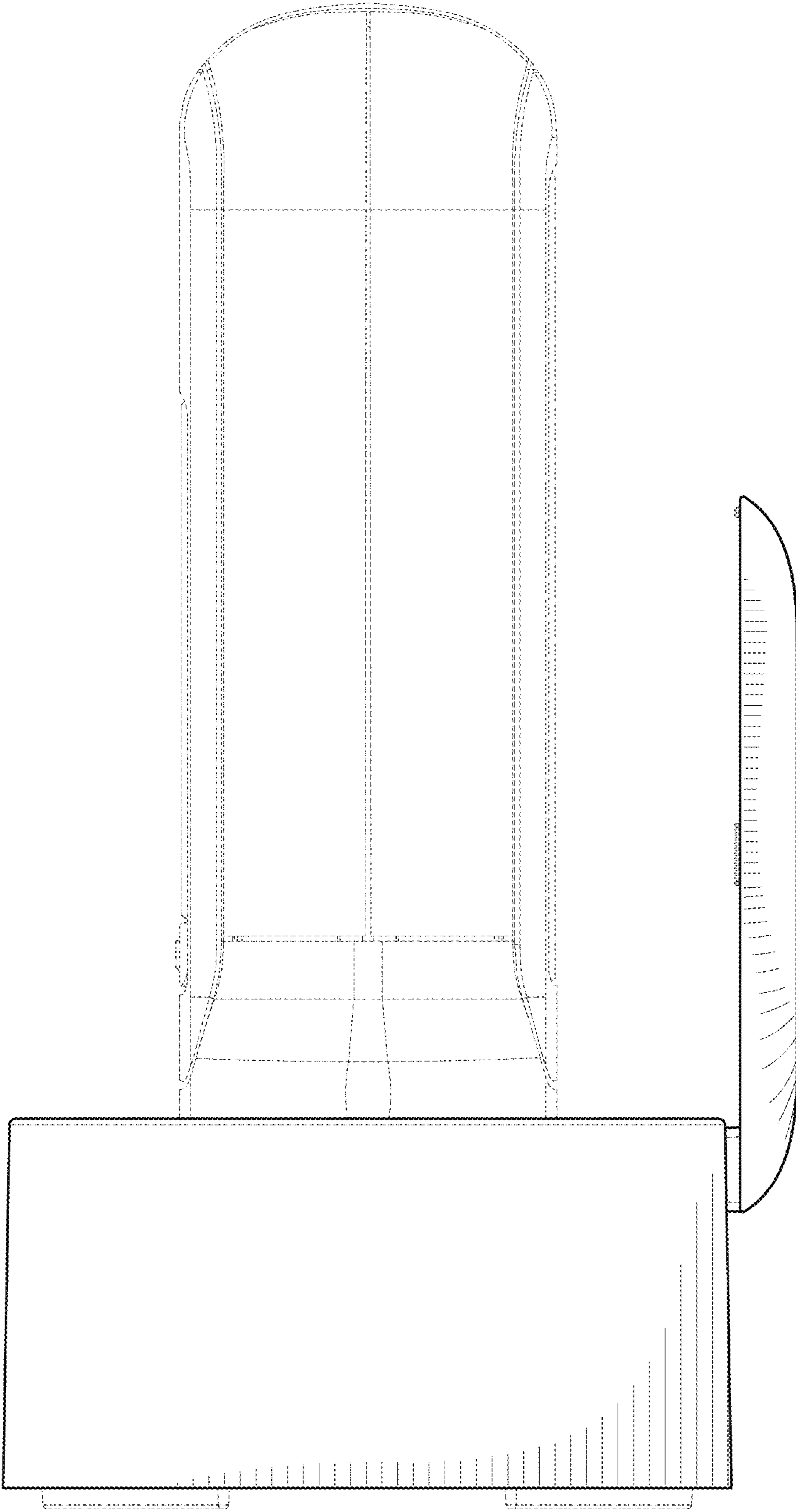


FIG. 19