



US00D776267S

(12) **United States Design Patent** (10) **Patent No.:** **US D776,267 S**
Dombrowski et al. (45) **Date of Patent:** **** Jan. 10, 2017**

(54) **LIQUID APPLICATOR BODY**
(71) Applicant: **3M INNOVATIVE PROPERTIES COMPANY**, St. Paul, MN (US)
(72) Inventors: **Alan R. Dombrowski**, Woodbury, MN (US); **Stephane Levesque**, Quebec (CA)
(73) Assignee: **3M INNOVATIVE PROPERTIES COMPANY**, St. Paul, MN (US)

D362,304 S 9/1995 Wilson
5,658,084 A 8/1997 Wirt
5,908,124 A 6/1999 Klauke
D425,617 S 5/2000 Snedden
6,068,148 A 5/2000 Weiler
6,516,947 B1 2/2003 Van Dyke
6,536,975 B1 3/2003 Tufts
6,846,459 B2 1/2005 Snedden
6,869,242 B2 3/2005 May
7,028,862 B2 4/2006 Poynter

(Continued)

(**) Term: **14 Years**
(21) Appl. No.: **29/507,147**
(22) Filed: **Oct. 24, 2014**
(51) **LOC (10) Cl.** **24-02**
(52) **U.S. Cl.**
USPC **D24/119**
(58) **Field of Classification Search**
USPC D24/114, 119, 127, 128, 130, 133, 147,
D24/184; 128/919; 604/2, 192, 195, 197,
604/263
See application file for complete search history.

FOREIGN PATENT DOCUMENTS

CA 2796699 5/2014

Primary Examiner — Garth Rademaker
Assistant Examiner — Samantha Q Lawrence

(57) **CLAIM**

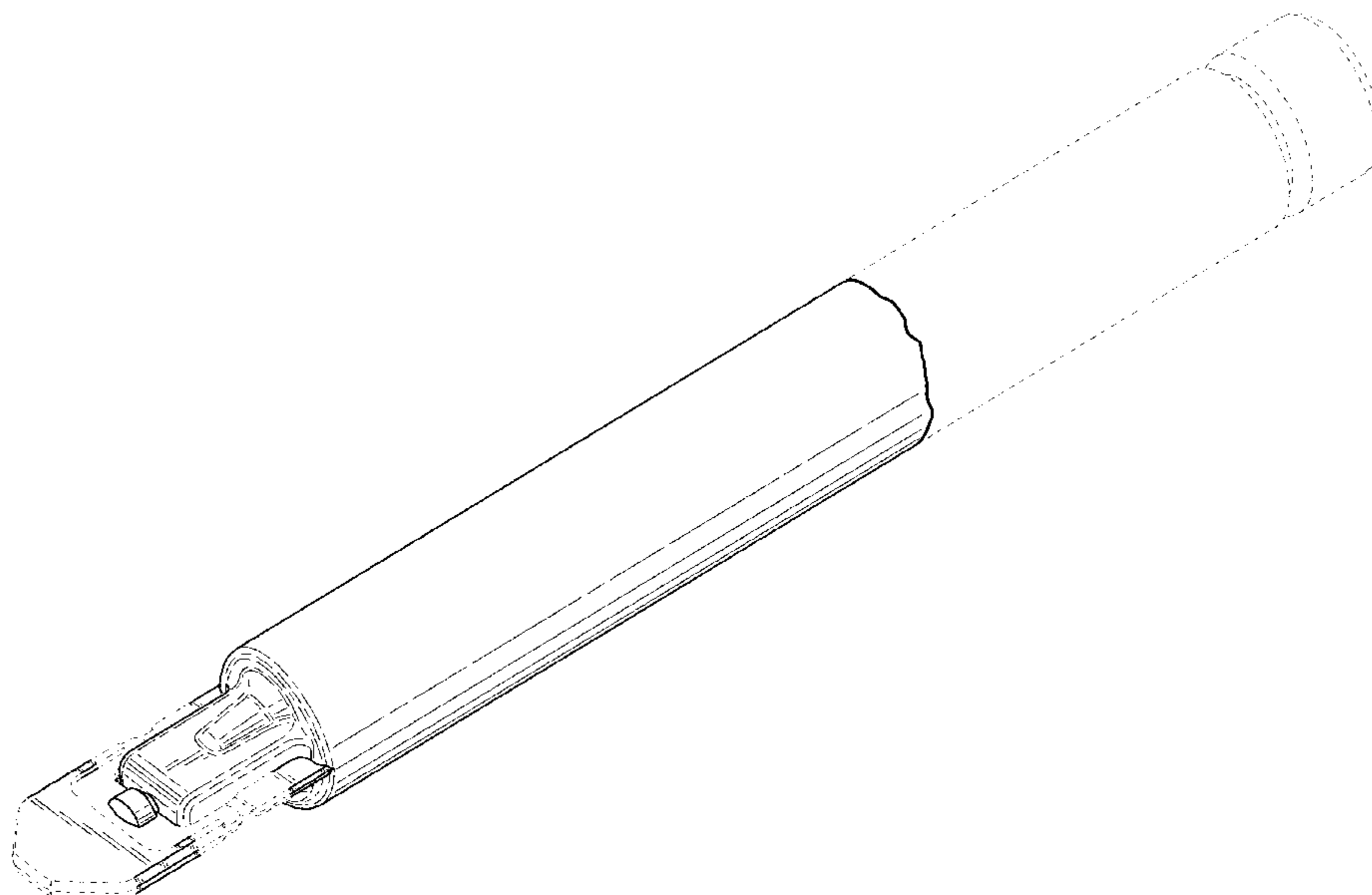
The ornamental design for a liquid applicator body, as shown and described.

DESCRIPTION

FIG. 1 is a front perspective view of a liquid applicator body, showing the new design.
FIG. 2 is a top plan view thereof, the bottom plan view being a mirror image of the top plan view;
FIG. 3 is a left side elevational view thereof, the right side elevational view being a mirror image of the left side elevational view;
FIG. 4 is a front elevational view thereof;
FIG. 5 is a rear elevational view thereof; and,
FIG. 6 is a front perspective view thereof showing the liquid applicator body with an absorbent member.
The broken lines shown in FIGS. 1-6 illustrate portions of the liquid applicator body that form no part of the claimed design. The broken lines shown on the lower left portion of FIG. 6 illustrate environment that forms no part of the claimed design.

(56) **References Cited**
U.S. PATENT DOCUMENTS
3,356,244 A 12/1967 Witchell
3,847,151 A 11/1974 D'Alessandro
3,917,120 A 11/1975 Larenz
D245,221 S 8/1977 Hoyt
4,248,227 A 2/1981 Thomas
D289,200 S 4/1987 Newell
4,671,763 A 6/1987 Weiler
4,979,630 A 12/1990 Rose
4,995,519 A 2/1991 Rose
5,229,061 A 7/1993 Van Dyke
D347,277 S 5/1994 Snedden
5,326,603 A 7/1994 Van Dyke
D358,466 S 5/1995 Harris

1 Claim, 3 Drawing Sheets



(56)

References Cited

U.S. PATENT DOCUMENTS

D532,295 S	11/2006	Stull		8,556,529 B2 *	10/2013	Law	A61M 35/006
7,182,536 B2	2/2007	Tufts						401/132
7,188,750 B2	3/2007	Vogel		8,783,451 B2 *	7/2014	Slokovic	A45D 34/04
D551,760 S	9/2007	Zahn						206/15.2
D565,193 S	3/2008	Price		D710,993 S *	8/2014	DeCoste, Jr.	D24/115
7,540,389 B2	6/2009	Fontana		8,840,837 B2 *	9/2014	Smith	C12Q 1/22
7,614,811 B2	11/2009	Kaufman						422/400
7,757,852 B2	7/2010	Fontana		D718,131 S *	11/2014	Brown	D9/447
7,866,514 B1	1/2011	Hansen		8,882,736 B2 *	11/2014	Oliver	A61J 1/067
7,866,907 B2 *	1/2011	Cable, Jr.					604/403
			A61M 35/003	8,911,771 B2 *	12/2014	Vanek	A61K 31/045
			401/132					424/443
7,946,779 B2	5/2011	Kaufman		2006/0108385 A1	5/2006	Zahn		
7,976,234 B2	7/2011	May		2011/0031157 A1	2/2011	Nakano		
8,083,425 B2	12/2011	Kaufman		2011/0142527 A1	6/2011	Kaufman		
8,105,306 B2	1/2012	Davis		2011/0248045 A1	10/2011	Harris		
8,186,897 B2	5/2012	Kaufman		2011/0315720 A1	12/2011	Marshall		
8,215,859 B2	7/2012	Kaufman		2012/0051829 A1	3/2012	Margoosian		
8,377,029 B2	2/2013	Nagao		2012/0230753 A1	9/2012	Kaufman		
				2013/0015204 A1	1/2013	Gol		
				2014/0126949 A1	5/2014	Kaufman		
				2014/0371694 A1	12/2014	Chiang		

* cited by examiner

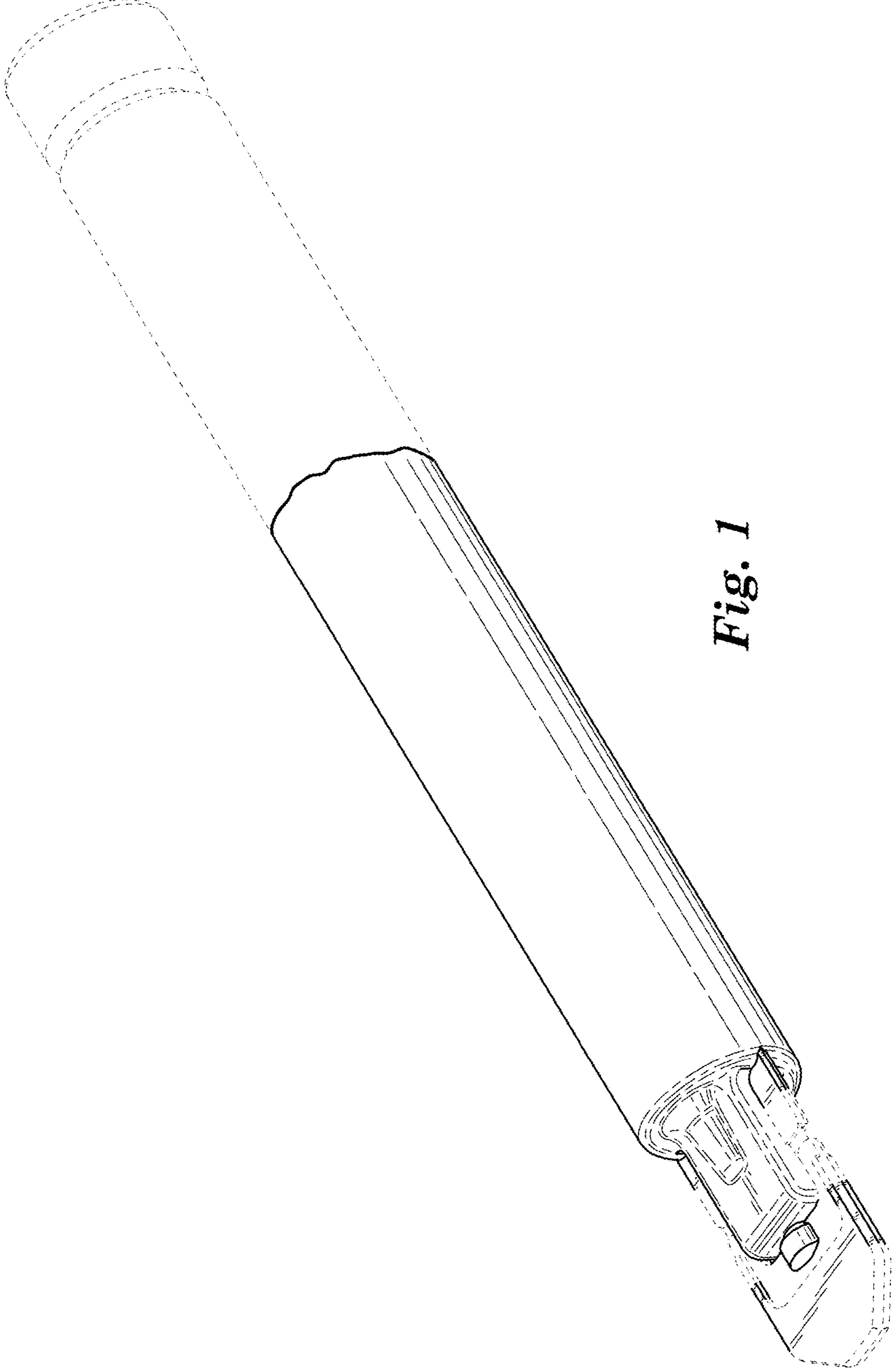


Fig. 1

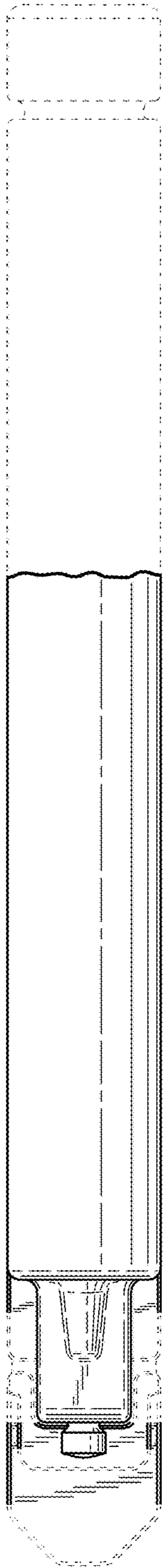


Fig. 2

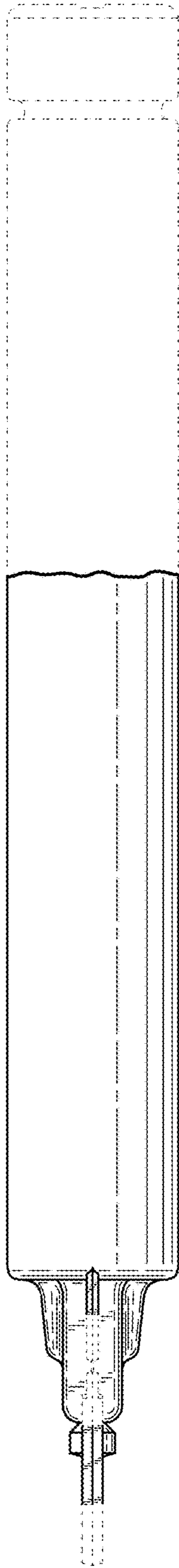


Fig. 3

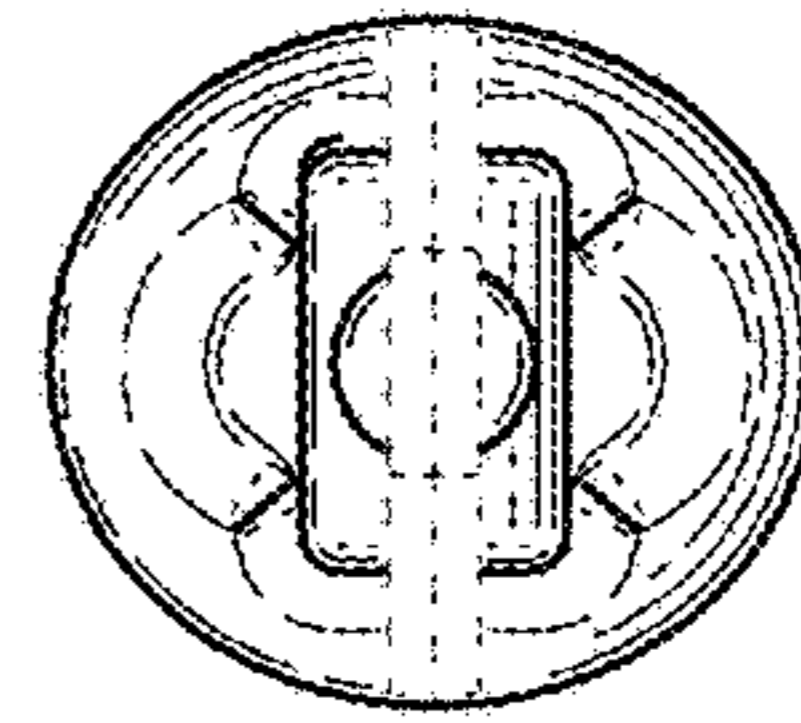


Fig. 4

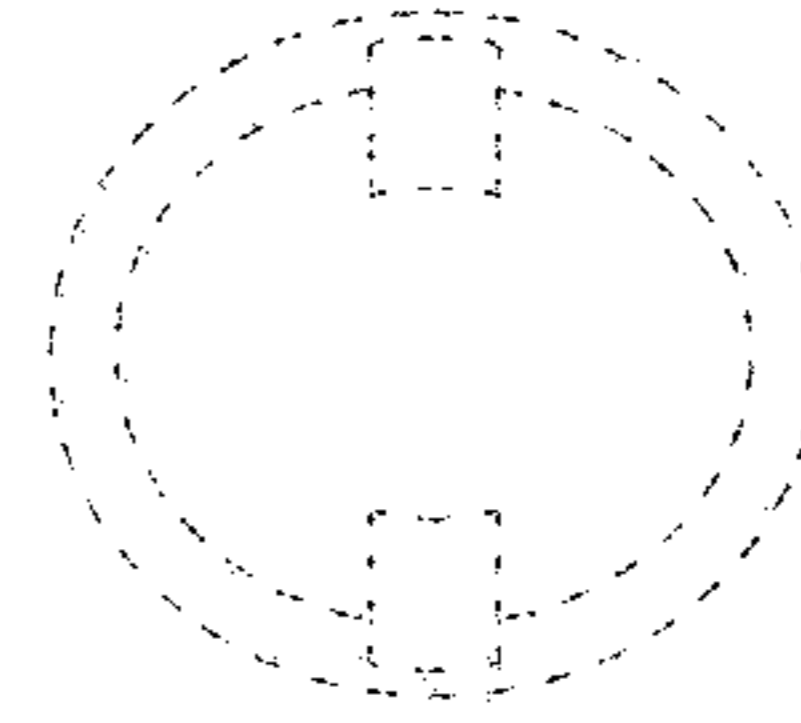


Fig. 5

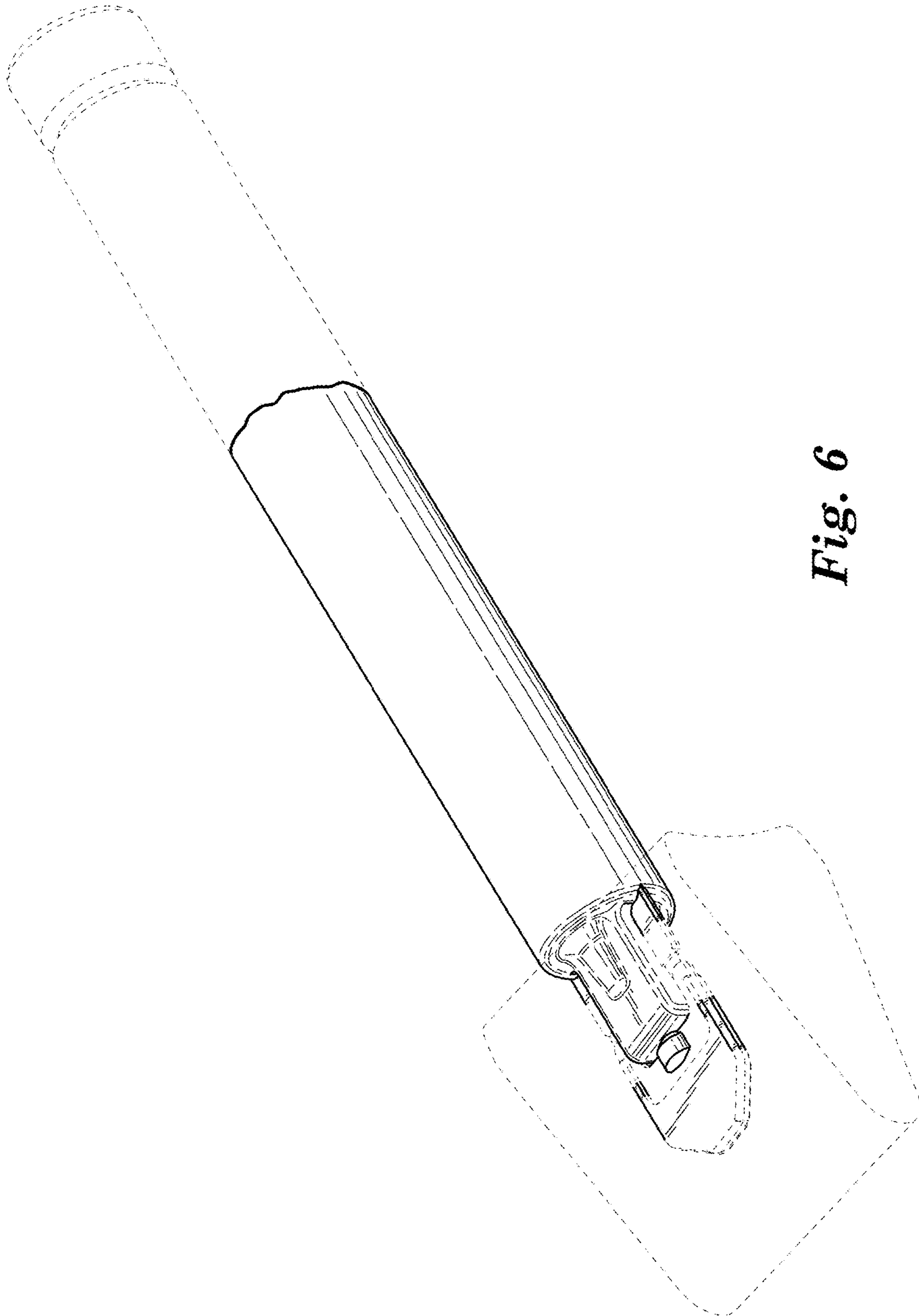


Fig. 6