



US00D776264S

(12) **United States Design Patent**  
**Tyce et al.**

(10) **Patent No.:** **US D776,264 S**  
(45) **Date of Patent:** **\*\* Jan. 10, 2017**

- (54) **MEDICAL INJECTOR**
- (71) Applicant: **Becton, Dickinson and Company**,  
Franklin Lakes, NJ (US)
- (72) Inventors: **Daniel Paul Charles Tyce**, Leamington  
Spa (GB); **Malcolm Stanley Boyd**,  
Wellesbourne (GB); **John David Cross**,  
Northampton (GB); **Stuart James**  
**King**, Launton (GB)
- (73) Assignee: **Becton, Dickinson and Company**,  
Franklin Lakes, NJ (US)

5,267,963 A	12/1993	Bachynsky
5,336,180 A	8/1994	Kriesel et al.
5,389,078 A	2/1995	Zalesky et al.
D359,120 S	6/1995	Sallee et al.
5,437,636 A	8/1995	Snoke et al.
5,582,593 A	12/1996	Hultman
D393,271 S	4/1998	Conner et al.
5,741,230 A	4/1998	Miller
5,814,020 A	9/1998	Gross
5,840,071 A	11/1998	Kriesel et al.
5,848,990 A	12/1998	Cirelli et al.
5,848,991 A	12/1998	Gross et al.
5,858,001 A	1/1999	Tsals et al.
D405,524 S	2/1999	Falk et al.
5,957,895 A	9/1999	Sage et al.

(Continued)

(\*\*) Term: **15 Years**

**FOREIGN PATENT DOCUMENTS**

- (21) Appl. No.: **29/534,656**
- (22) Filed: **Jul. 30, 2015**
- (51) **LOC (10) Cl.** ..... **24-02**
- (52) **U.S. Cl.**  
USPC ..... **D24/113**
- (58) **Field of Classification Search**  
USPC ..... D24/112-114, 108, 133, 130, 127, 186;  
606/181, 185; 604/264, 272, 187, 181,  
604/184, 227  
CPC ..... A61M 5/178; A61M 3/00; A61M 5/20;  
A61M 5/31; A61M 5/3146; A61M  
5/3129; A61M 5/3148; A61M 5/315  
See application file for complete search history.

WO 2011146166 A1 11/2011  
*Primary Examiner* — David Muller  
 (74) *Attorney, Agent, or Firm* — The Webb Law Firm

(57) **CLAIM**

The ornamental design for a medical injector, as shown and described.

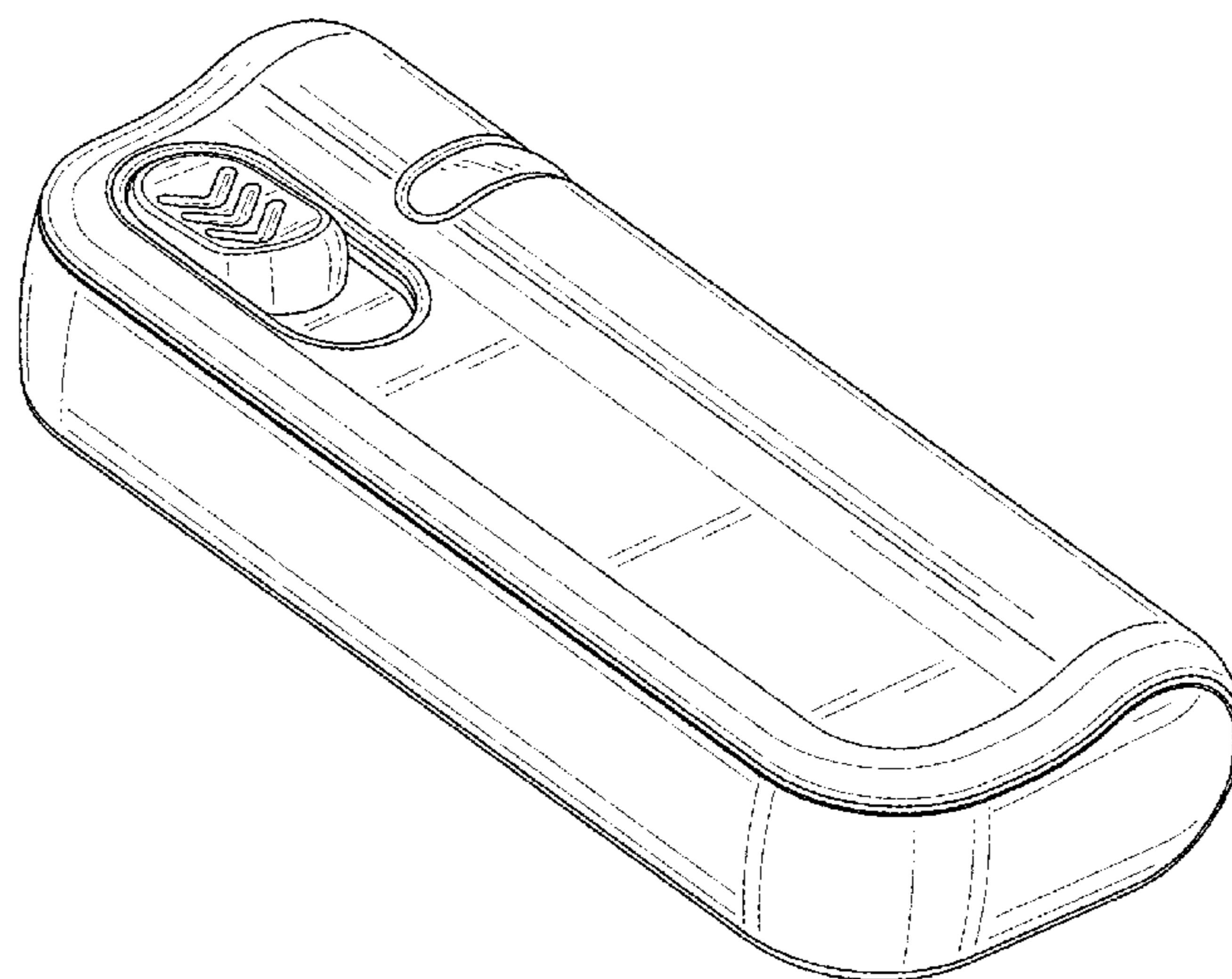
**DESCRIPTION**

FIG. 1 is a rear perspective view of a medical injector, in accordance with an embodiment of the present design;  
 FIG. 2 is a front perspective view thereof;  
 FIG. 3 is a top plan view thereof;  
 FIG. 4 is a bottom plan view thereof;  
 FIG. 5 is a right side elevation view thereof;  
 FIG. 6 is a left side elevation view thereof;  
 FIG. 7 is rear elevation view thereof; and,  
 FIG. 8 is a front elevation view thereof.  
 The broken line showing of parts of the drawings is included for the purpose of illustrating use and environment and forms no part of the claimed design.

(56) **References Cited**  
**U.S. PATENT DOCUMENTS**

4,487,603 A	12/1984	Harris
4,517,971 A	5/1985	Sorbonne
4,548,607 A	10/1985	Harris
D283,045 S	3/1986	Lynn
4,886,514 A	12/1989	Maget
4,902,278 A	2/1990	Maget et al.
4,938,354 A	7/1990	Hernandez

**1 Claim, 4 Drawing Sheets**



(56)

References Cited

U.S. PATENT DOCUMENTS

D454,194 S	3/2002	Bar-Or	8,128,597 B2	3/2012	Cross et al.	
D455,207 S	4/2002	Gross et al.	8,152,779 B2	4/2012	Cabiri	
6,451,040 B1	9/2002	Purcell	8,157,769 B2	4/2012	Cabiri	
6,500,150 B1	12/2002	Gross et al.	8,286,644 B2	10/2012	Bennett	
6,527,744 B1	3/2003	Kriesel et al.	8,303,615 B2	11/2012	Purcell	
6,629,949 B1	10/2003	Douglas	D674,479 S *	1/2013	Merchant .....	D24/108
6,641,566 B2	11/2003	Douglas et al.	8,348,898 B2	1/2013	Cabiri	
6,659,982 B2	12/2003	Douglas et al.	D676,955 S	2/2013	Orome	
6,699,218 B2	3/2004	Flaherty et al.	D681,195 S	4/2013	Skulley et al.	
6,808,506 B2	10/2004	Lastovich et al.	D684,686 S *	6/2013	Cronenberg .....	D24/108
D535,397 S	1/2007	Chen	D685,083 S *	6/2013	Schneider .....	D24/108
7,416,540 B2	8/2008	Edwards et al.	D687,141 S *	7/2013	Schneider .....	D24/108
D602,155 S	10/2009	Foley et al.	D687,536 S *	8/2013	Guarraia .....	D24/108
D602,586 S	10/2009	Foley et al.	D692,552 S	10/2013	Lovell et al.	
7,628,770 B2	12/2009	Ethelfeld	D693,455 S	11/2013	Alchas et al.	
7,637,891 B2	12/2009	Wall	D695,392 S *	12/2013	Tani .....	D24/113
7,658,724 B2	2/2010	Rubin et al.	D714,948 S *	10/2014	Vaccarella .....	D24/186
D612,042 S	3/2010	Noren	D720,070 S *	12/2014	Khalaj .....	D24/133
7,678,079 B2	3/2010	Shermer et al.	D732,411 S *	6/2015	Waler .....	D10/81
7,753,879 B2	7/2010	Merno	D741,995 S *	10/2015	Prasser .....	D24/113
7,931,621 B2	4/2011	Cross et al.	D745,661 S *	12/2015	Collins .....	D24/108
7,955,297 B2	6/2011	Radmer et al.	D752,763 S *	3/2016	Rondoni .....	D24/186
7,967,795 B1	6/2011	Cabiri	D755,372 S *	5/2016	Masumoto .....	D24/130
D641,076 S	7/2011	Grunstad et al.	2007/0005017 A1	1/2007	Alchas et al.	
7,981,085 B2	7/2011	Ethelfeld	2007/0287969 A1	12/2007	Rezai et al.	
8,128,596 B2	3/2012	Carter	2008/0215015 A1	9/2008	Cindrich et al.	
			2009/0221971 A1	9/2009	Mejlhede et al.	
			2010/0222743 A1	9/2010	Frederickson et al.	
			2010/0292648 A1	11/2010	Lastovich et al.	

\* cited by examiner

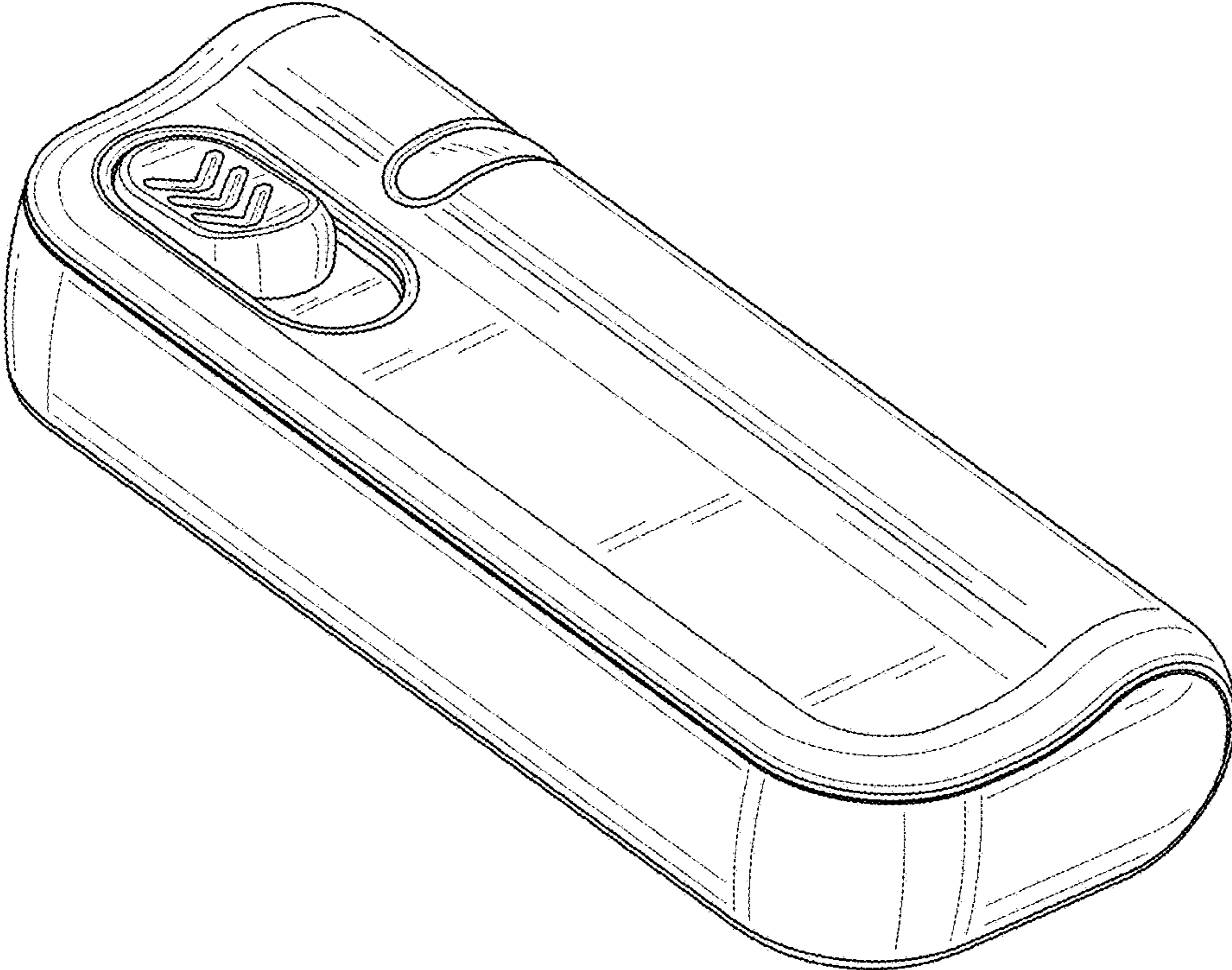


FIG. 1

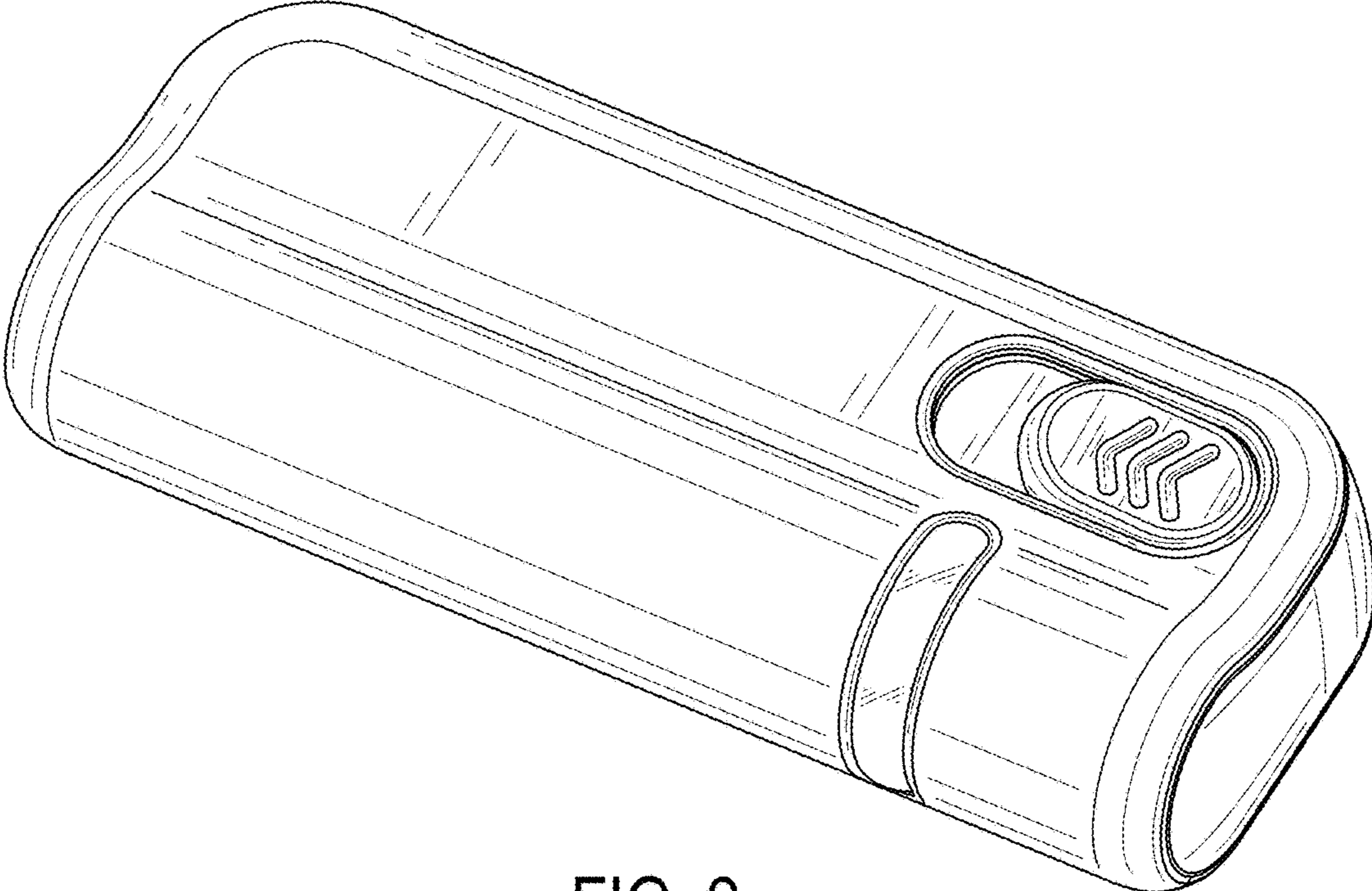


FIG. 2

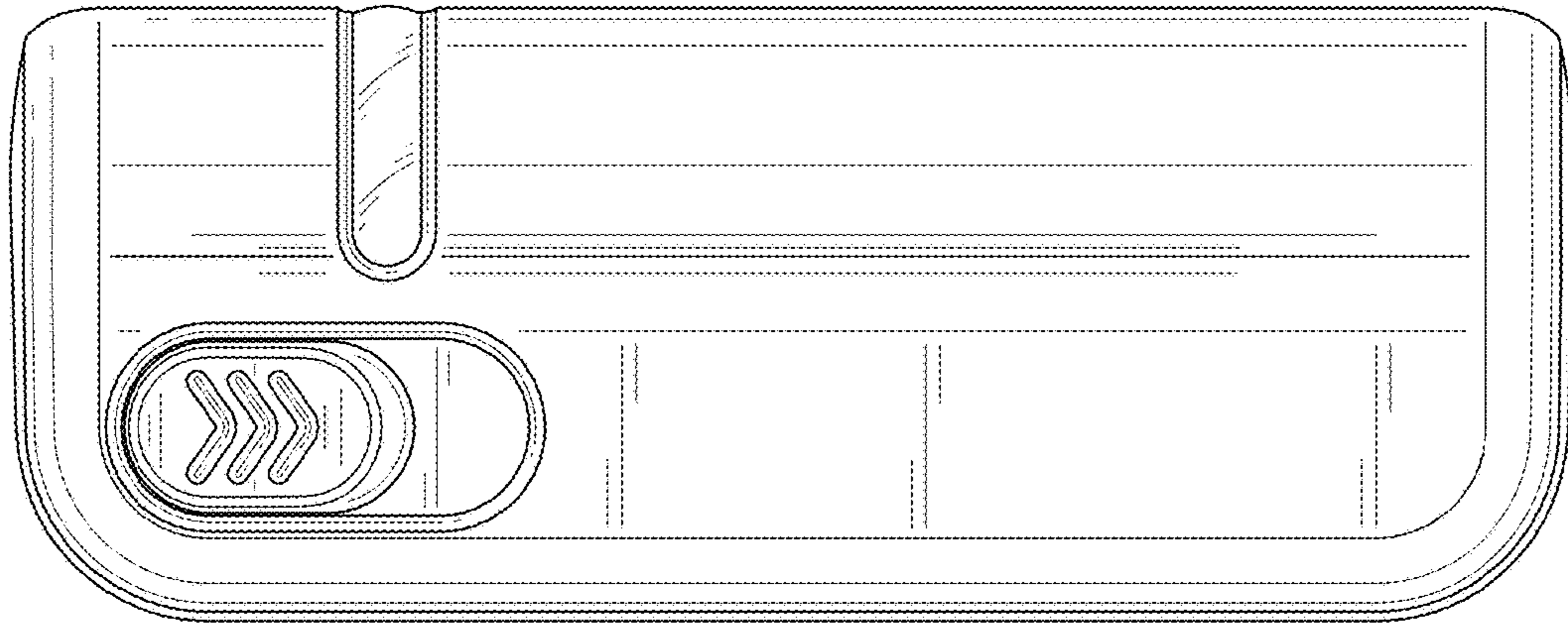


FIG. 3

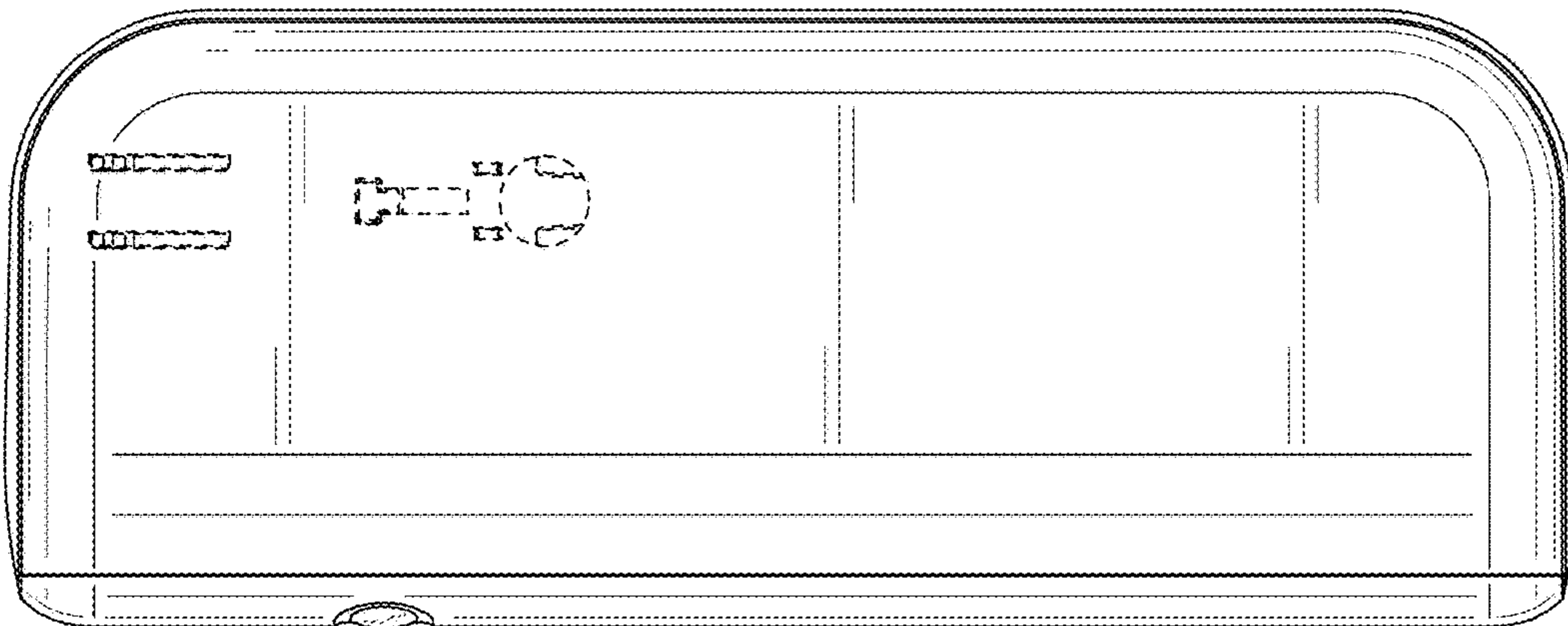


FIG. 4

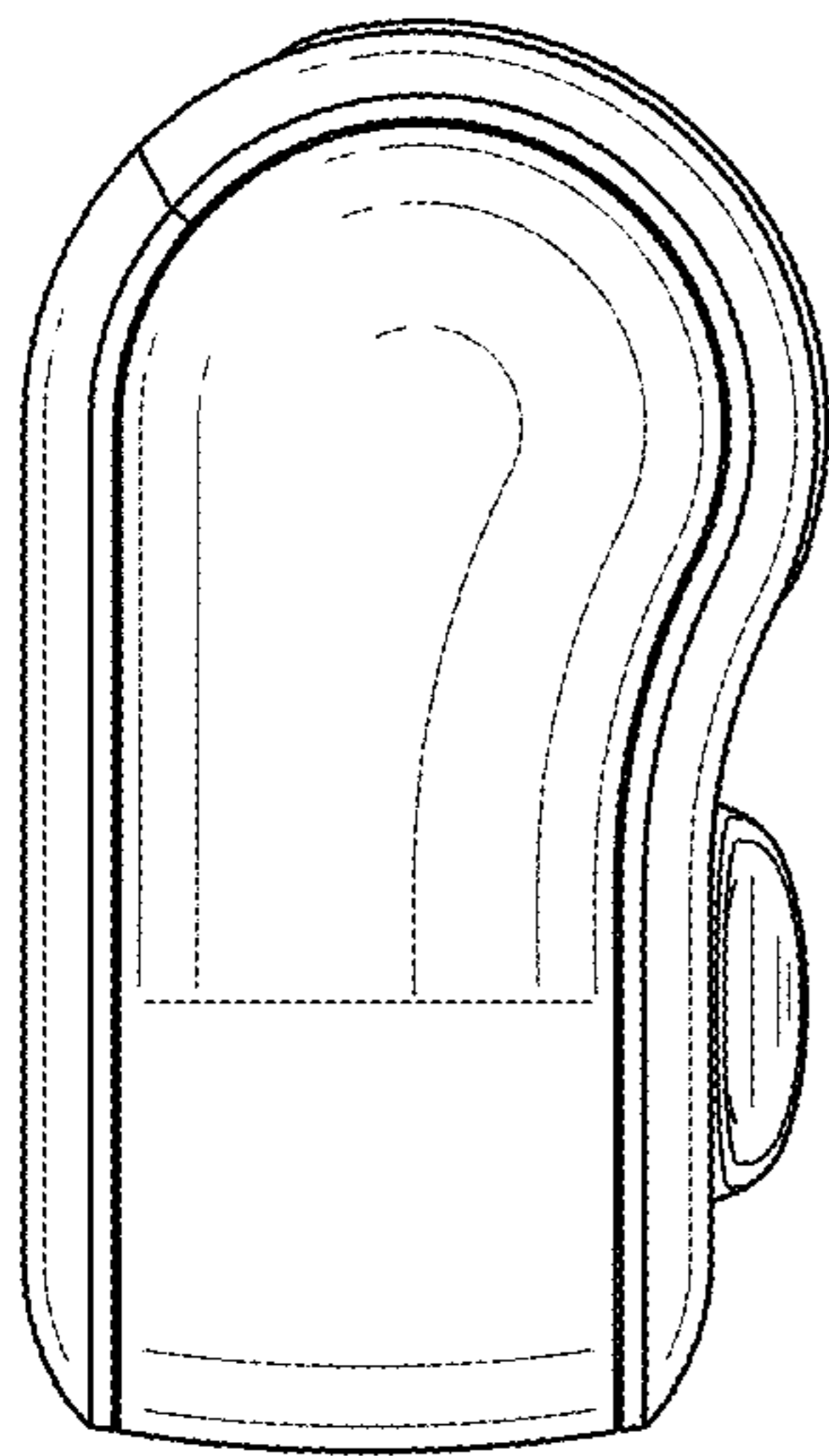


FIG. 5

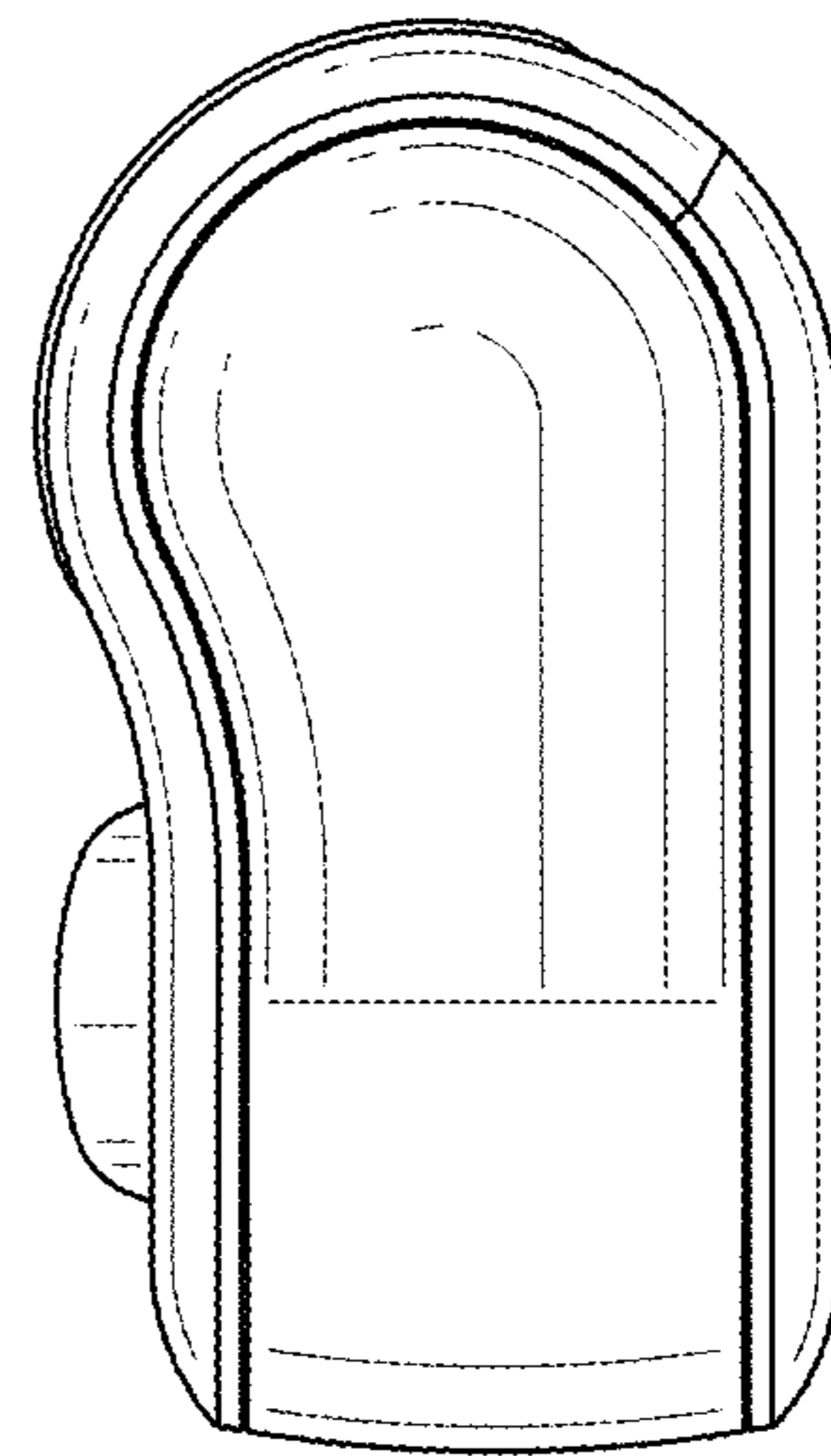


FIG. 6



FIG. 7

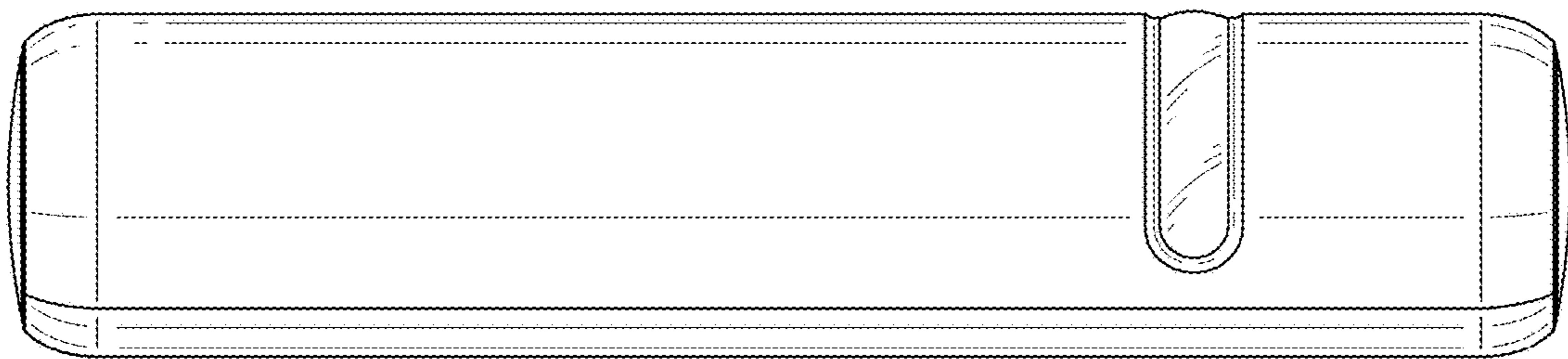


FIG. 8