



US00D776262S

(12) **United States Design Patent**  
**Tyce et al.**

(10) **Patent No.:** **US D776,262 S**  
(45) **Date of Patent:** **\*\* Jan. 10, 2017**

- (54) **MEDICAL INJECTOR**
- (71) Applicant: **Becton, Dickinson and Company**,  
Franklin Lakes, NJ (US)
- (72) Inventors: **Daniel Paul Charles Tyce**, Leamington  
Spa (GB); **Malcolm Stanley Boyd**,  
Wellesbourne (GB); **John David Cross**,  
Northampton (GB); **Stuart James**  
**King**, Launton (GB)
- (73) Assignee: **Becton, Dickinson and Company**,  
Franklin Lakes, NJ (US)

|             |         |                |
|-------------|---------|----------------|
| 5,267,963 A | 12/1993 | Bachynsky      |
| 5,336,180 A | 8/1994  | Kriesel et al. |
| 5,389,078 A | 2/1995  | Zalesky et al. |
| D359,120 S  | 6/1995  | Sallee et al.  |
| 5,437,636 A | 8/1995  | Snoke et al.   |
| 5,582,593 A | 12/1996 | Hultman        |
| D393,271 S  | 4/1998  | Conner et al.  |
| 5,741,230 A | 4/1998  | Miller         |
| 5,814,020 A | 9/1998  | Gross          |
| 5,840,071 A | 11/1998 | Kriesel et al. |
| 5,848,990 A | 12/1998 | Cirelli et al. |
| 5,848,991 A | 12/1998 | Gross et al.   |
| 5,858,001 A | 1/1999  | Tsals et al.   |
| D405,524 S  | 2/1999  | Falk et al.    |
| 5,957,895 A | 9/1999  | Sage et al.    |

(Continued)

(\*\*) Term: **15 Years**

**FOREIGN PATENT DOCUMENTS**

- (21) Appl. No.: **29/534,644**
- (22) Filed: **Jul. 30, 2015**
- (51) **LOC (10) Cl.** ..... **24-02**
- (52) **U.S. Cl.**  
USPC ..... **D24/113**
- (58) **Field of Classification Search**  
USPC ..... D24/112-114, 108, 133, 130, 127, 186;  
606/181, 185; 604/264, 272, 187, 181,  
604/184, 227  
CPC ..... A61M 5/178; A61M 3/00; A61M 5/20;  
A61M 5/31; A61M 5/3146; A61M  
5/3129; A61M 5/3148; A61M 5/315  
See application file for complete search history.

WO 2011146166 A1 11/2011  
*Primary Examiner* — David Muller  
 (74) *Attorney, Agent, or Firm* — The Webb Law Firm

(57) **CLAIM**

The ornamental design for a medical injector, as shown and described.

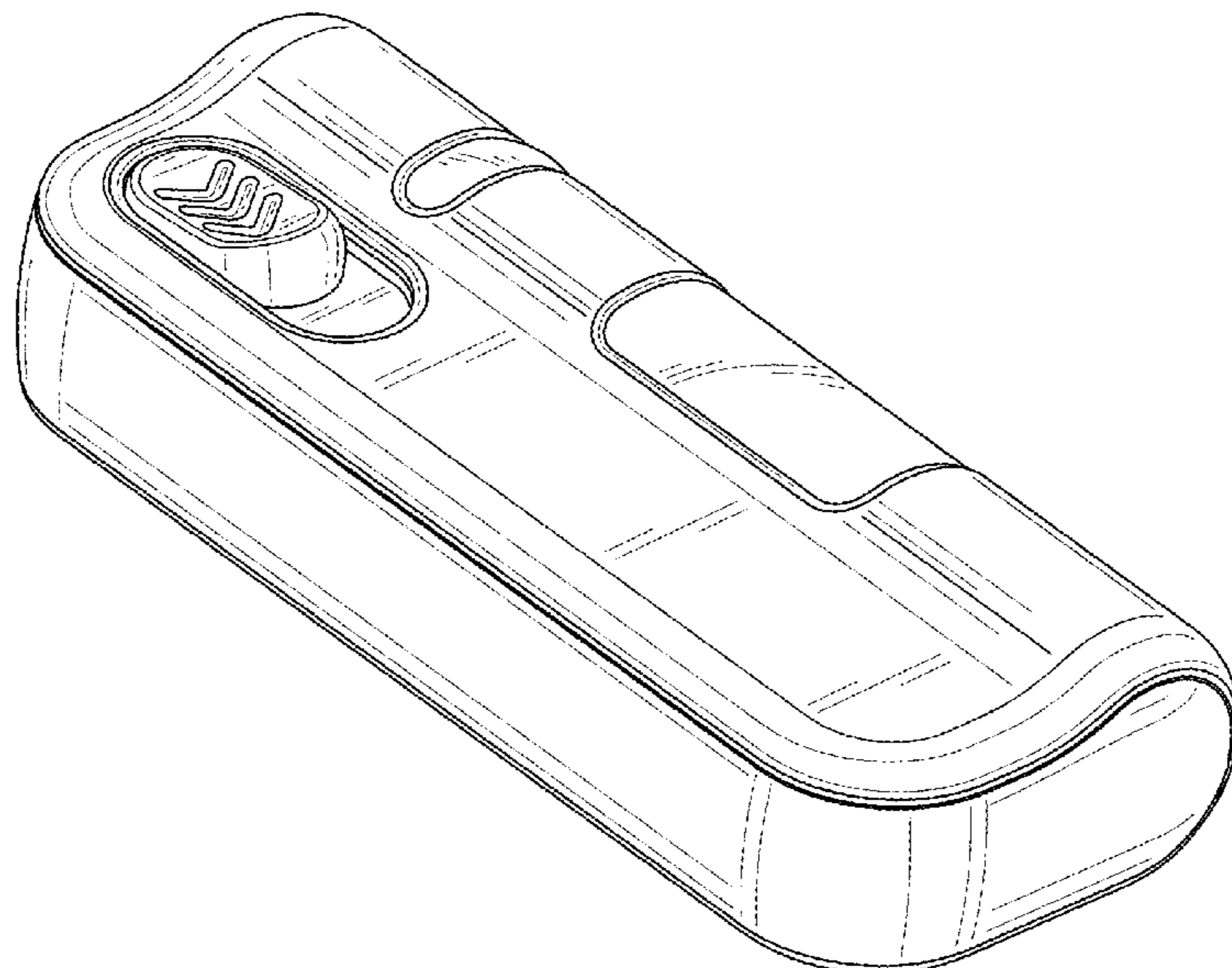
**DESCRIPTION**

FIG. 1 is a rear perspective view of a medical injector, in accordance with an embodiment of the present design;  
 FIG. 2 is a front perspective view thereof;  
 FIG. 3 is a top plan view thereof;  
 FIG. 4 is a bottom plan view thereof;  
 FIG. 5 is a right side elevation view thereof;  
 FIG. 6 is a left side elevation view thereof;  
 FIG. 7 is rear elevation view thereof; and,  
 FIG. 8 is a front elevation view thereof.  
 The broken line showing of parts of the drawings is included for the purpose of illustrating use and environment and forms no part of the claimed design.

(56) **References Cited**  
**U.S. PATENT DOCUMENTS**

|             |         |              |
|-------------|---------|--------------|
| 4,487,603 A | 12/1984 | Harris       |
| 4,517,971 A | 5/1985  | Sorbonne     |
| 4,548,607 A | 10/1985 | Harris       |
| D283,045 S  | 3/1986  | Lynn         |
| 4,886,514 A | 12/1989 | Maget        |
| 4,902,278 A | 2/1990  | Maget et al. |
| 4,938,354 A | 7/1990  | Hernandez    |

**1 Claim, 4 Drawing Sheets**



(56)

References Cited

U.S. PATENT DOCUMENTS

|              |         |                  |                 |         |                     |         |
|--------------|---------|------------------|-----------------|---------|---------------------|---------|
| D454,194 S   | 3/2002  | Bar-Or           | 8,128,597 B2    | 3/2012  | Cross et al.        |         |
| D455,207 S   | 4/2002  | Gross et al.     | 8,152,779 B2    | 4/2012  | Cabiri              |         |
| 6,451,040 B1 | 9/2002  | Purcell          | 8,157,769 B2    | 4/2012  | Cabiri              |         |
| 6,500,150 B1 | 12/2002 | Gross et al.     | 8,286,644 B2    | 10/2012 | Bennett             |         |
| 6,527,744 B1 | 3/2003  | Kriesel et al.   | 8,303,615 B2    | 11/2012 | Purcell             |         |
| 6,629,949 B1 | 10/2003 | Douglas          | D674,479 S *    | 1/2013  | Merchant .....      | D24/108 |
| 6,641,566 B2 | 11/2003 | Douglas et al.   | 8,348,898 B2    | 1/2013  | Cabiri              |         |
| 6,659,982 B2 | 12/2003 | Douglas et al.   | D676,955 S      | 2/2013  | Orome               |         |
| 6,699,218 B2 | 3/2004  | Flaherty et al.  | D681,195 S      | 4/2013  | Skulley et al.      |         |
| 6,808,506 B2 | 10/2004 | Lastovich et al. | D684,686 S *    | 6/2013  | Cronenberg .....    | D24/108 |
| D535,397 S   | 1/2007  | Chen             | D685,083 S *    | 6/2013  | Schneider .....     | D24/108 |
| 7,416,540 B2 | 8/2008  | Edwards et al.   | D687,141 S *    | 7/2013  | Schneider .....     | D24/108 |
| D602,155 S   | 10/2009 | Foley et al.     | D687,536 S *    | 8/2013  | Guarraia .....      | D24/108 |
| D602,586 S   | 10/2009 | Foley et al.     | D692,552 S      | 10/2013 | Lovell et al.       |         |
| 7,628,770 B2 | 12/2009 | Ethelfeld        | D693,455 S      | 11/2013 | Alchas et al.       |         |
| 7,637,891 B2 | 12/2009 | Wall             | D695,392 S *    | 12/2013 | Tani .....          | D24/113 |
| 7,658,724 B2 | 2/2010  | Rubin et al.     | D714,948 S *    | 10/2014 | Vaccarella .....    | D24/186 |
| D612,042 S   | 3/2010  | Noren            | D720,070 S *    | 12/2014 | Khalaj .....        | D24/133 |
| 7,678,079 B2 | 3/2010  | Shermer et al.   | D732,411 S *    | 6/2015  | Waler .....         | D10/81  |
| 7,753,879 B2 | 7/2010  | Mernoe           | D741,995 S *    | 10/2015 | Prasser .....       | D24/113 |
| 7,931,621 B2 | 4/2011  | Cross et al.     | D745,661 S *    | 12/2015 | Collins .....       | D24/108 |
| 7,955,297 B2 | 6/2011  | Radmer et al.    | D752,763 S *    | 3/2016  | Rondoni .....       | D24/186 |
| 7,967,795 B1 | 6/2011  | Cabiri           | D755,372 S *    | 5/2016  | Masumoto .....      | D24/130 |
| D641,076 S   | 7/2011  | Grunstad et al.  | 2007/0005017 A1 | 1/2007  | Alchas et al.       |         |
| 7,981,085 B2 | 7/2011  | Ethelfeld        | 2007/0287969 A1 | 12/2007 | Rezai et al.        |         |
| 8,128,596 B2 | 3/2012  | Carter           | 2008/0215015 A1 | 9/2008  | Cindrich et al.     |         |
|              |         |                  | 2009/0221971 A1 | 9/2009  | Mejlhede et al.     |         |
|              |         |                  | 2010/0222743 A1 | 9/2010  | Frederickson et al. |         |
|              |         |                  | 2010/0292648 A1 | 11/2010 | Lastovich et al.    |         |

\* cited by examiner

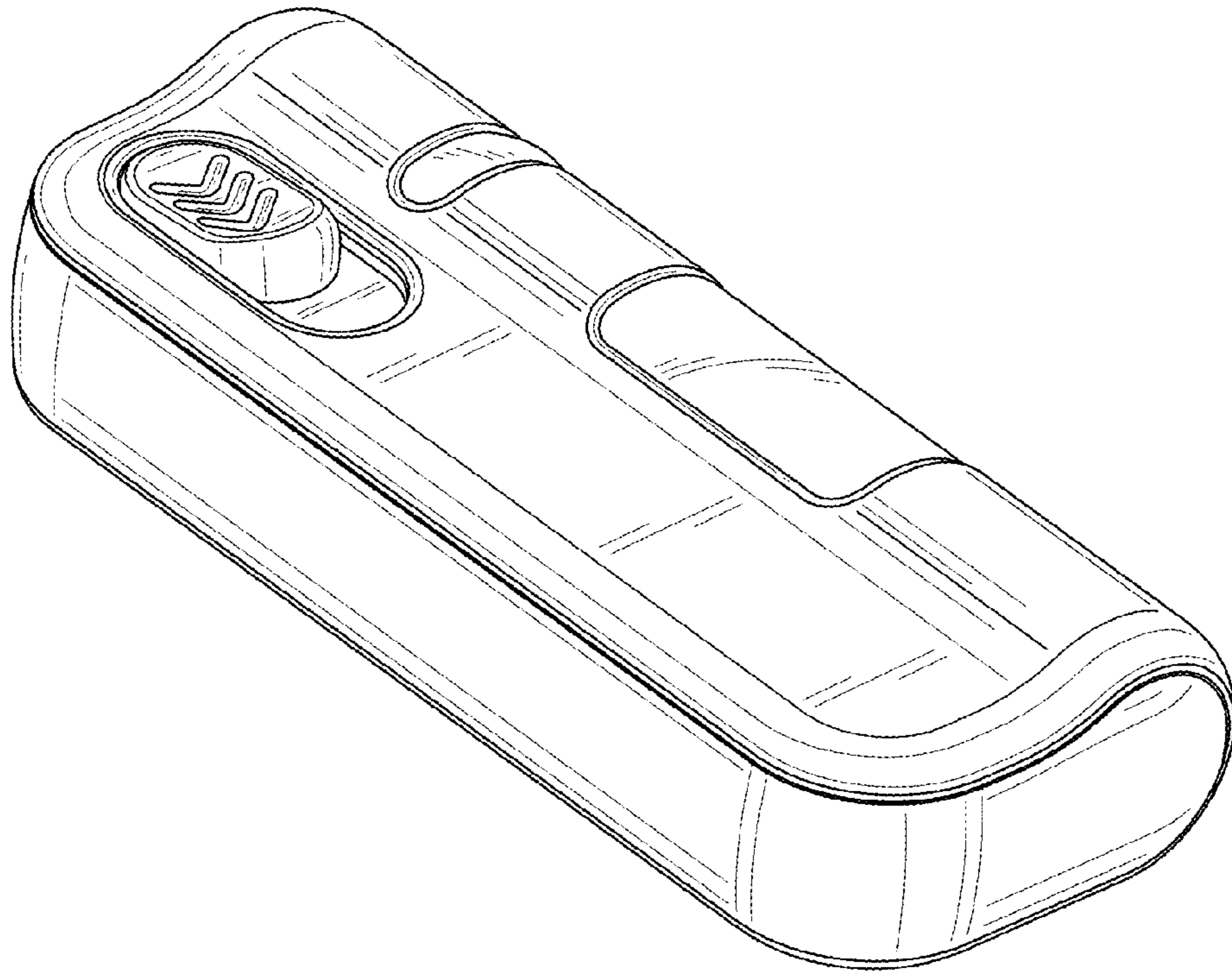


FIG. 1

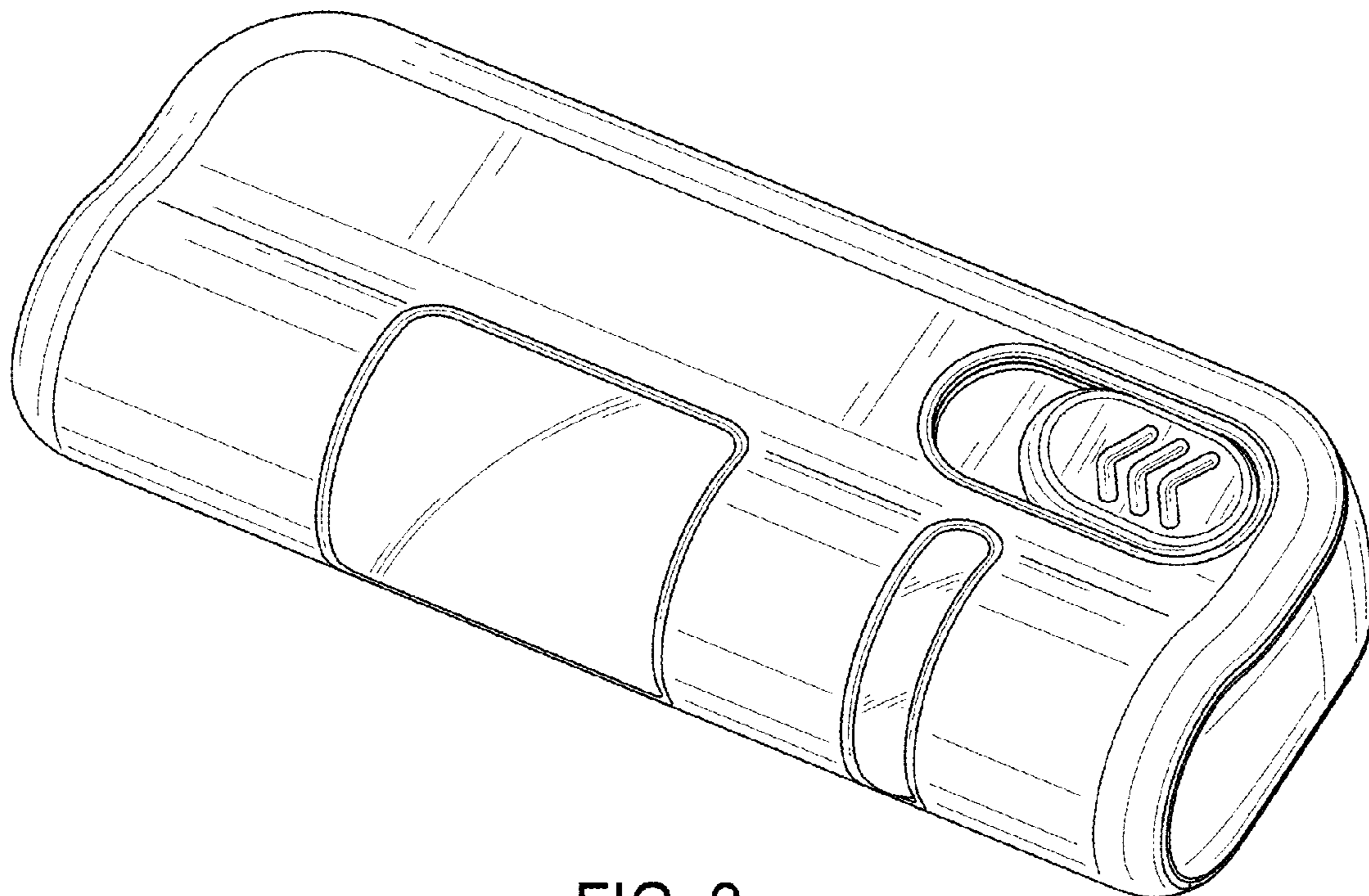


FIG. 2

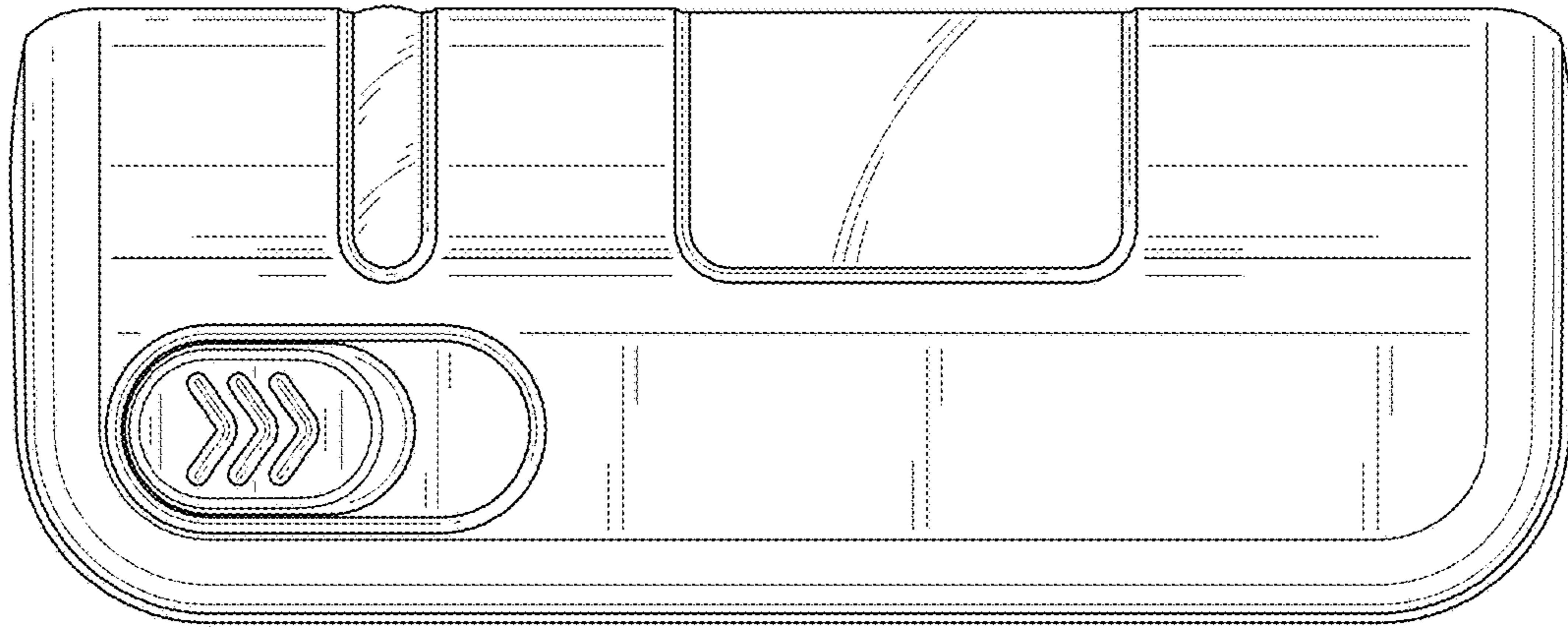


FIG. 3

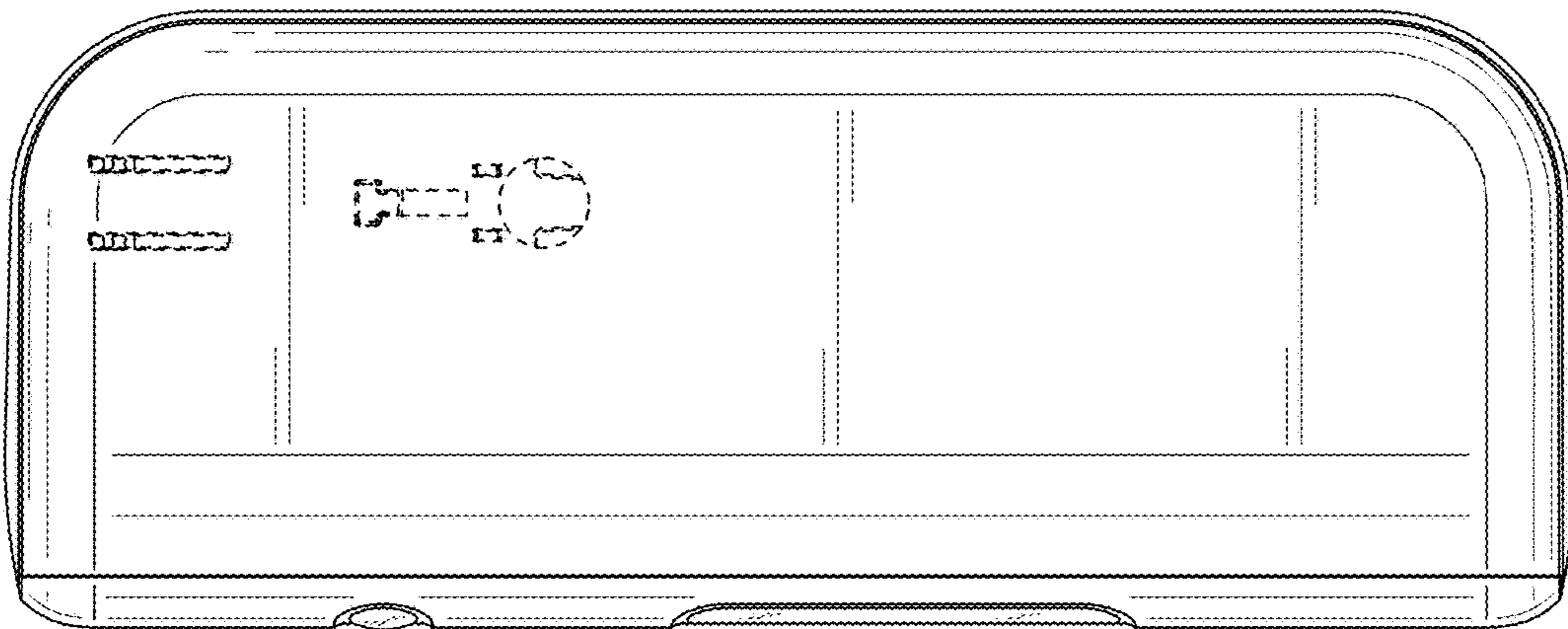


FIG. 4

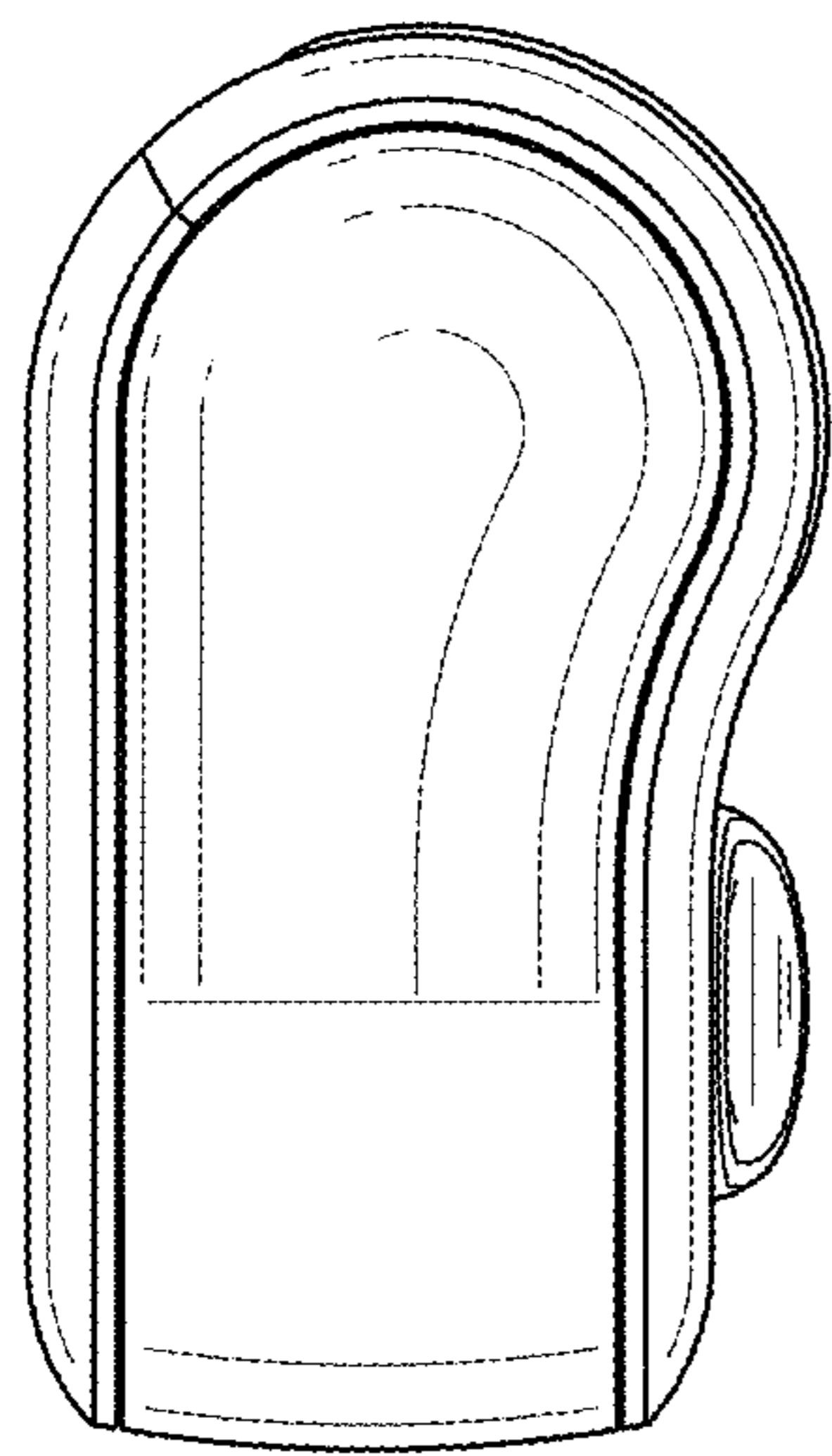


FIG. 5

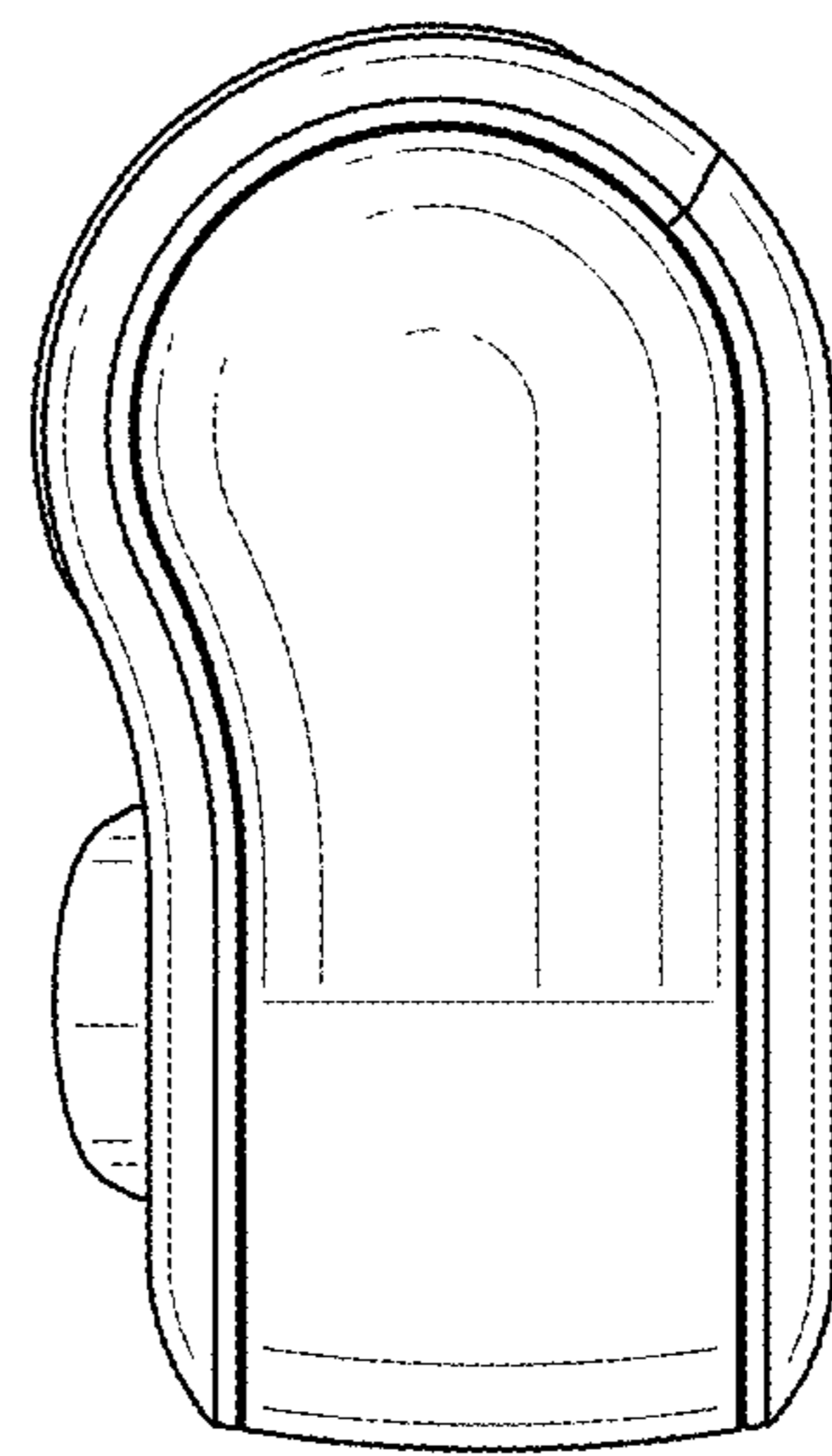


FIG. 6



FIG. 7

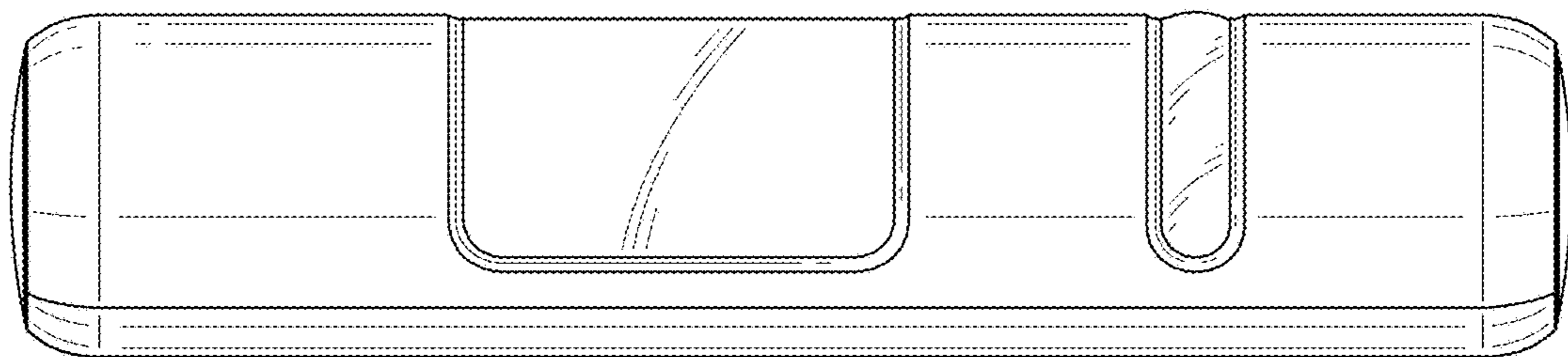


FIG. 8