



US00D776261S

(12) **United States Design Patent** (10) **Patent No.:** **US D776,261 S**
Jones et al. (45) **Date of Patent:** **** Jan. 10, 2017**

(54) **INJECTOR**
(71) Applicant: **Pfizer Limited**, Kent (GB)
(72) Inventors: **Dawn Jones**, Sawbridgeworth (GB);
David Pearce, Lilley (GB); **Simon Wilson**, Kedington (GB)
(73) Assignee: **Pfizer Limited** (GB)
(**) Term: **14 Years**
(21) Appl. No.: **29/468,090**
(22) Filed: **Sep. 26, 2013**

(30) **Foreign Application Priority Data**

Mar. 28, 2013 (EM) 002211219-0001
Mar. 28, 2013 (EM) 002211219-0002
Mar. 28, 2013 (EM) 002211219-0003
Mar. 28, 2013 (EM) 002211219-0004
Mar. 28, 2013 (EM) 002211219-0005
Mar. 28, 2013 (EM) 002211219-0006

(51) **LOC (10) Cl.** **24-02**
(52) **U.S. Cl.**
USPC **D24/113**

(58) **Field of Classification Search**
USPC D24/112-114, 133, 186, 104, 127-131;
606/181, 185; 604/264, 272, 115, 232,
604/187, 158, 164.08, 192, 263, 163, 181,
604/184, 198, 227; 600/101, 139, 143;
128/200.24, 207.14, 207.15
CPC A61M 5/2033; A61M 2005/206
See application file for complete search history.

(56) **References Cited**

U.S. PATENT DOCUMENTS

D287,877 S * 1/1987 Holewinski et al. D24/114
D401,324 S * 11/1998 Hjertman et al. D24/114
D439,985 S * 4/2001 Sanner D24/216

D462,760 S * 9/2002 Ahlgrim et al. D24/114
D479,603 S * 9/2003 Tyce D24/114
D479,747 S * 9/2003 Bainton D24/114
D540,465 S * 4/2007 Bainton D24/114
D555,609 S * 11/2007 Galbraith D24/114
7,695,454 B2 * 4/2010 Barron et al. 604/207
D619,702 S * 7/2010 Galbraith D24/114
D624,238 S * 9/2010 Turner D27/101
D657,867 S * 4/2012 Effenberger D24/114
D676,957 S * 2/2013 Schneider et al. D24/113
D688,790 S * 8/2013 Guarraia et al. D24/113
D688,791 S * 8/2013 Guarraia et al. D24/113
D690,806 S * 10/2013 Nakayama et al. D24/130
D696,771 S * 12/2013 Schneider et al. D24/113
D696,773 S * 12/2013 Schneider et al. D24/113
D703,314 S * 4/2014 Schneider et al. D24/113
D707,351 S * 6/2014 Kunze D24/112
D714,932 S * 10/2014 Hall et al. D24/112

(Continued)

Primary Examiner — David Muller
Assistant Examiner — Nathan Johnston
(74) *Attorney, Agent, or Firm* — Saidman DesignLaw Group, LLC

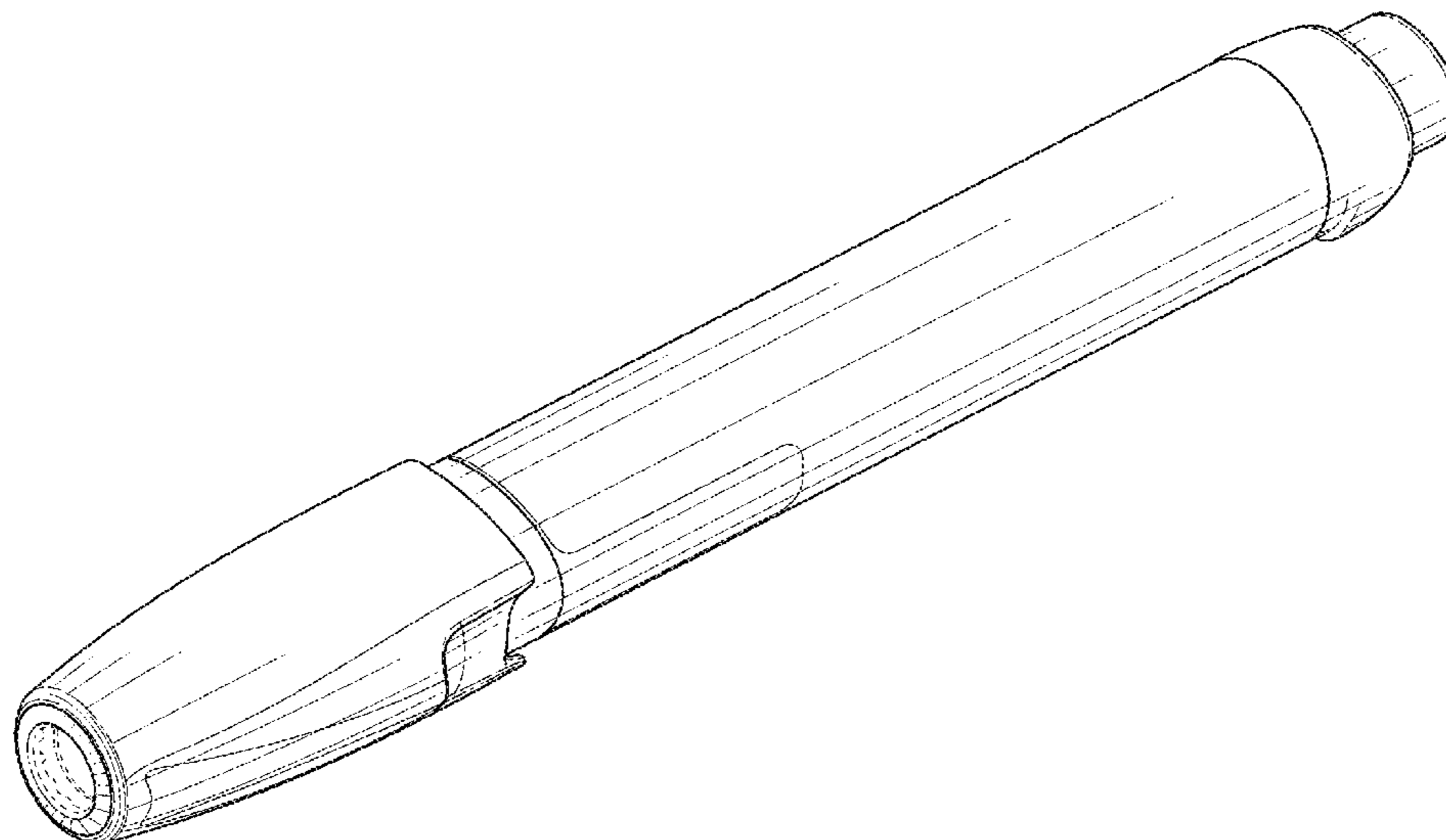
(57) **CLAIM**

The ornamental design for an injector, as shown and described.

DESCRIPTION

FIG. 1 is a perspective view of an injector showing our new design;
FIG. 2 is a front elevation view thereof;
FIG. 3 is a rear elevation view thereof;
FIG. 4 is a top plan view thereof;
FIG. 5 is a bottom plan view thereof;
FIG. 6 is a left side elevation view thereof; and,
FIG. 7 is a right side elevation view thereof.
The broken lines illustrate structure or features which form no part of the claimed design.
The drawings include surface shading that represents contour and not surface ornamentation.

1 Claim, 3 Drawing Sheets



(56)

References Cited

U.S. PATENT DOCUMENTS

D717,941 S *	11/2014	Mach et al.	D24/113
2012/0283696 A1 *	11/2012	Cronenberg et al.	604/506
2014/0243753 A1 *	8/2014	Bostrom	604/198
2014/0336589 A1 *	11/2014	Sund et al.	604/198
2014/0364812 A1 *	12/2014	Lumme et al.	604/198

* cited by examiner

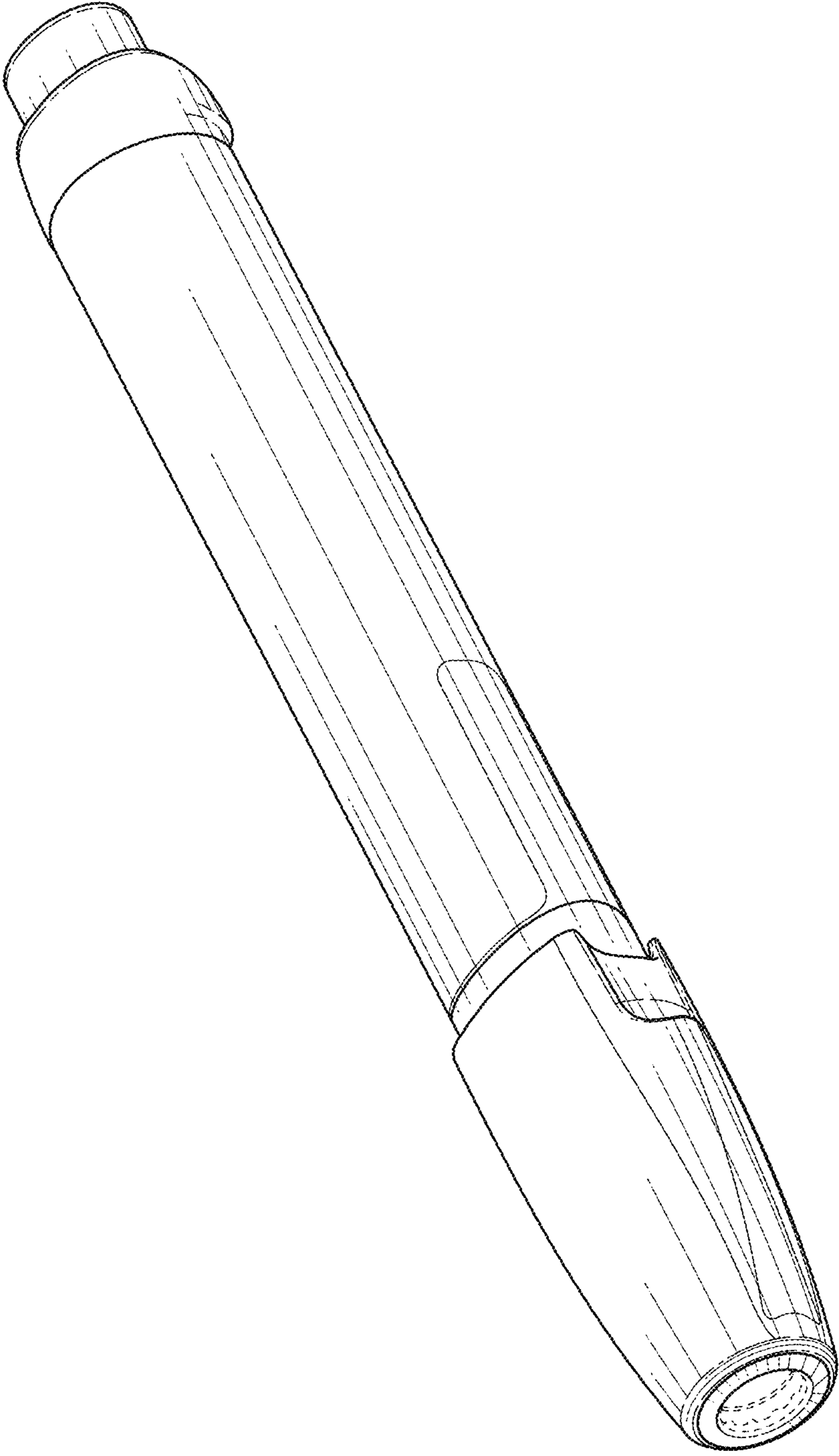


FIG. 1

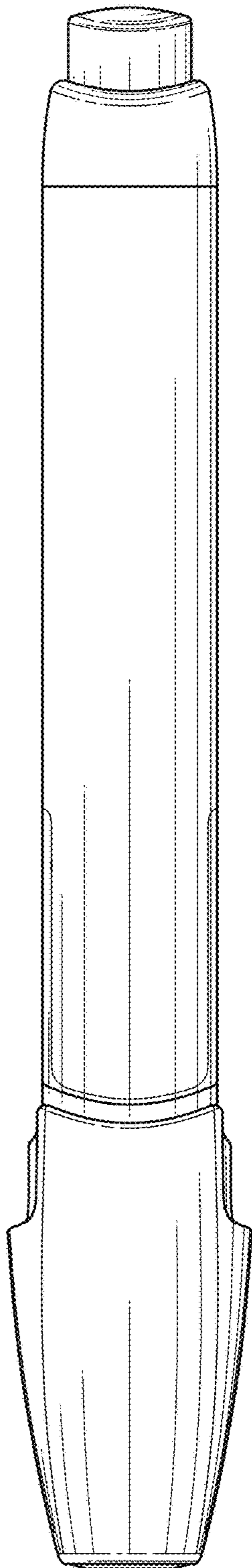


FIG. 2

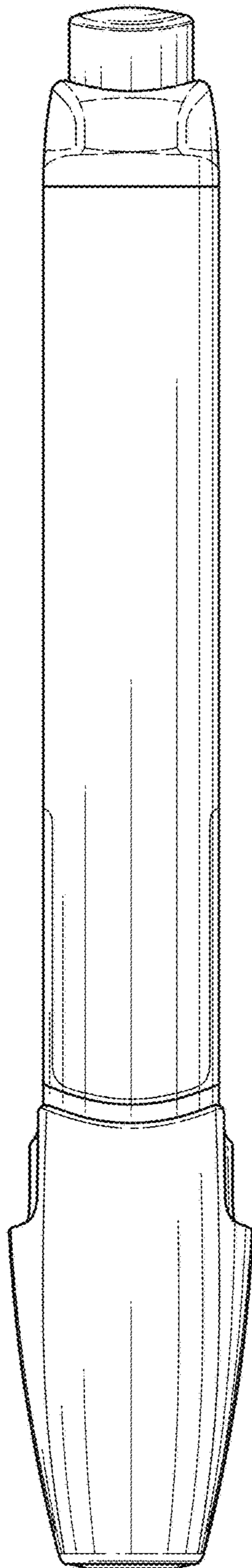


FIG. 3

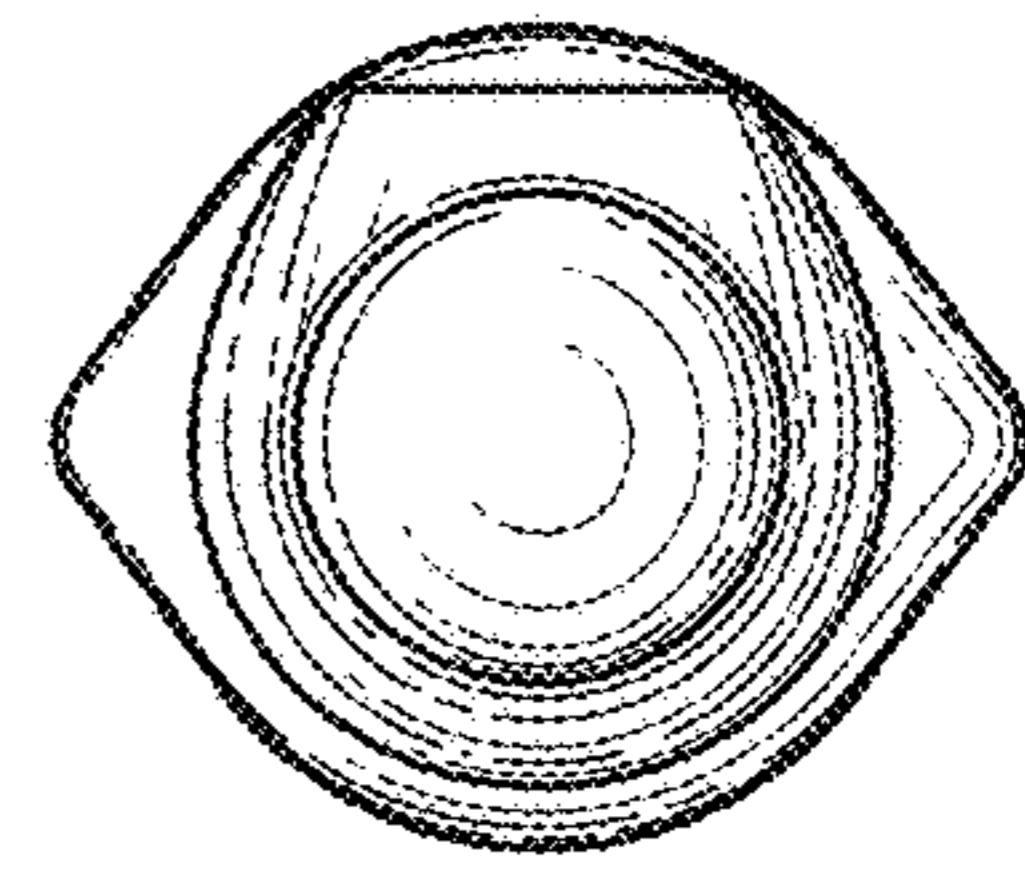


FIG. 4

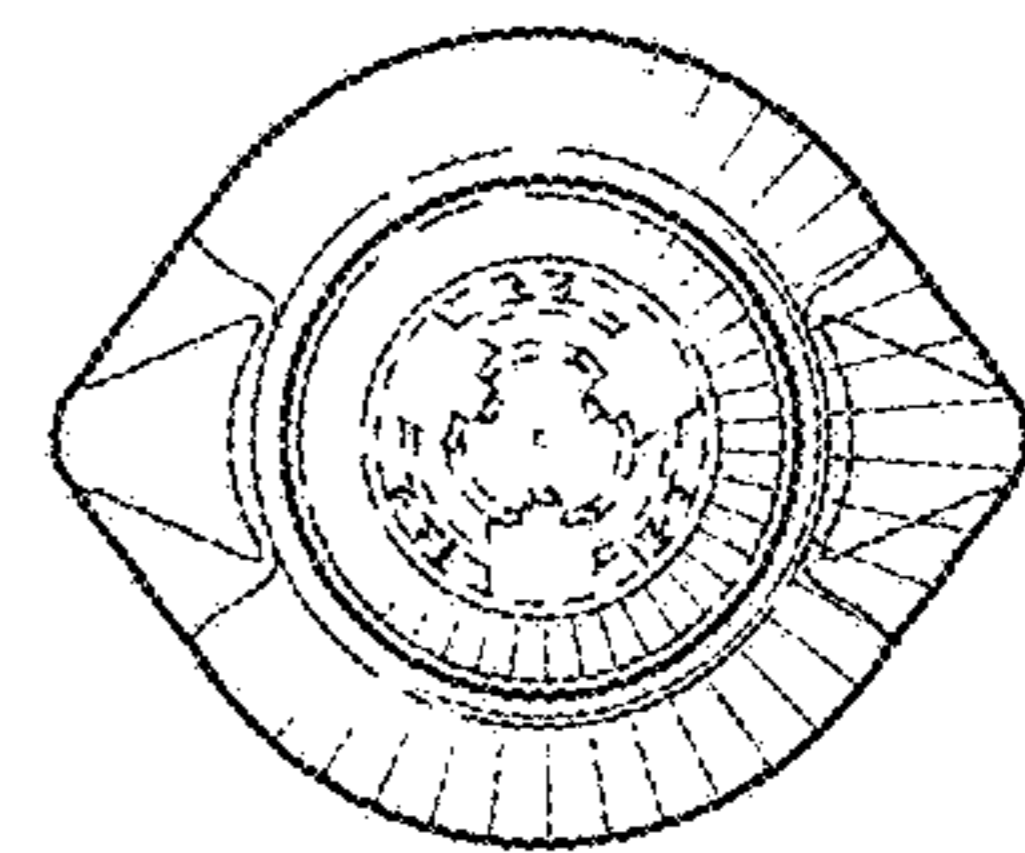


FIG. 5

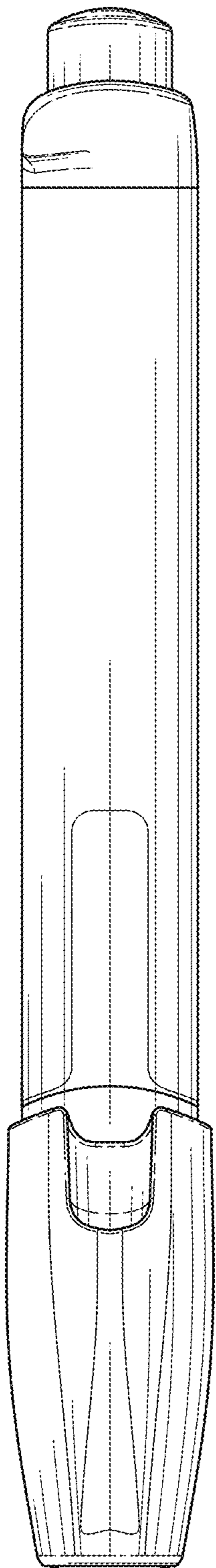


FIG. 6

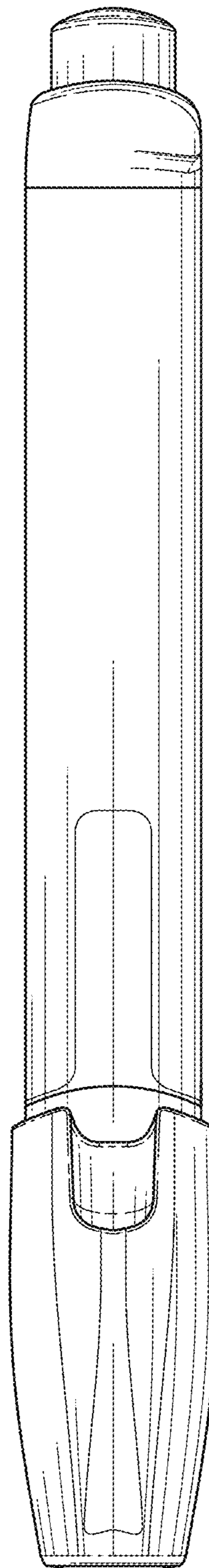


FIG. 7