



US00D776256S

(12) **United States Design Patent**  
**Formica et al.**

(10) **Patent No.:** **US D776,256 S**

(45) **Date of Patent:** **\*\* Jan. 10, 2017**

(54) **POSITIVE AIRWAY PRESSURE DELIVERY  
CONSOLE**

A61M 2205/502; A61M 2205/52; A61M  
2205/42; A62B 9/003; B29L 2031/753  
See application file for complete search history.

(71) Applicant: **ResMed Limited**, Bella Vista, New  
South Wales (AU)

(56) **References Cited**

(72) Inventors: **Justin John Formica**, Sydney (AU);  
**Jose Ignacio Romagnoli**, Sydney (AU);  
**Jessica Lea Dunn**, Sydney (AU);  
**Mark Bertinetti**, Sydney (AU); **Henri  
Spaile**, Sydney (AU); **Justin Peter  
Wagemakers**, Sydney (AU); **Mark  
Armstrong**, Sydney (AU)

U.S. PATENT DOCUMENTS

(73) Assignee: **ResMed Limited**, Bella Vista (AU)

(\*\*) Term: **14 Years**

(21) Appl. No.: **29/515,894**

(22) Filed: **Jan. 28, 2015**

**Related U.S. Application Data**

(62) Division of application No. 29/456,477, filed on May  
31, 2013, now Pat. No. Des. 738,489.

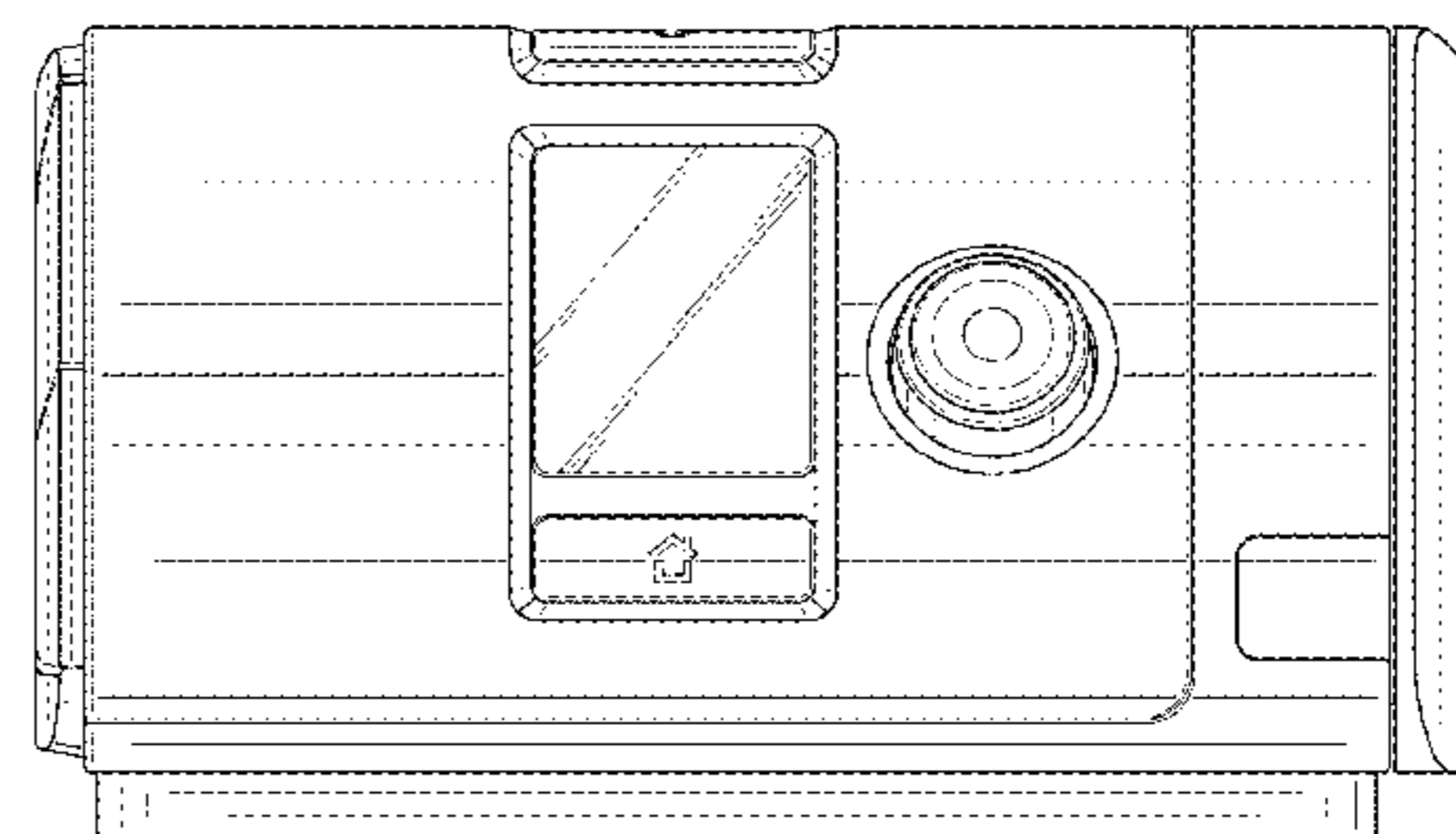
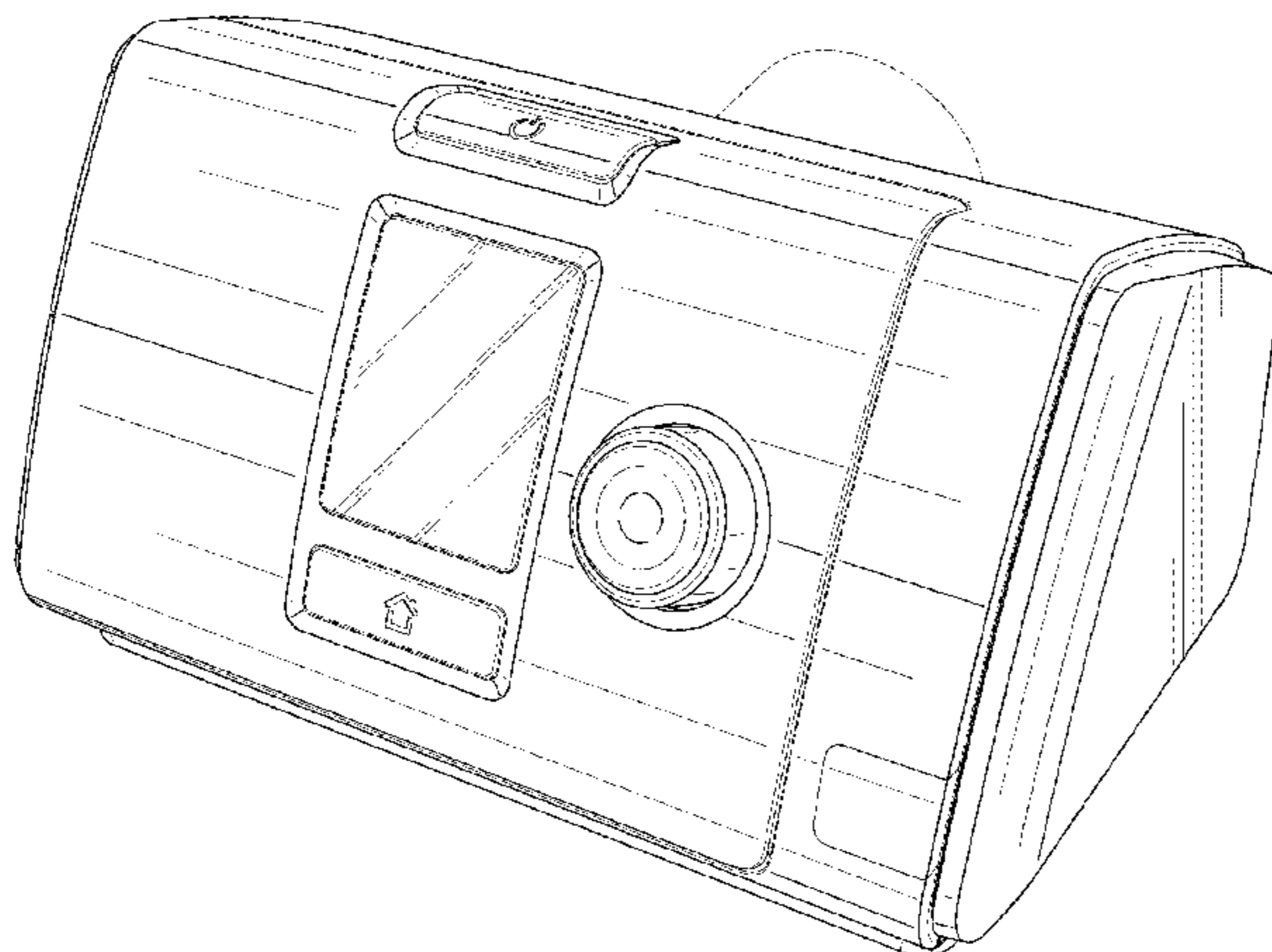
(51) **LOC (10) Cl.** ..... **29-02**

(52) **U.S. Cl.**  
USPC ..... **D24/110**

(58) **Field of Classification Search**

USPC ... D24/110, 164; D23/356, 358; 128/200.16,  
128/200.18, 200.23, 200.24, 200.22,  
128/202.27, 204.14, 204.18, 204.23,  
128/203.16, 203.17, 203.27  
CPC ..... B01D 24/00; B01D 53/22; B01D 53/30;  
A61M 16/00; A61M 16/16; A61M  
2205/14; A61M 2205/50;

2,073,335 A	3/1937	Karl	
2,516,864 A	8/1950	Gilmore	
2,524,522 A	10/1950	Gilmore	
2,954,802 A	10/1960	Duff	
3,163,707 A	12/1964	Darling	
D217,550 S	5/1970	Campbell	
D280,765 S	9/1985	Alvino	
D302,040 S	7/1989	Lambert	
D360,027 S	7/1995	Psaros	
D378,128 S *	2/1997	Rozek .....	D24/110
D421,298 S	2/2000	Kenyon et al.	
D436,401 S	1/2001	Remes et al.	
D439,326 S	3/2001	Hecker	
D464,724 S *	10/2002	Lynch .....	D24/110
D467,335 S *	12/2002	Lithgow .....	D24/110
D473,941 S	4/2003	Cise	
D476,077 S *	6/2003	Lithgow .....	D24/110
D476,731 S	7/2003	Cise	
D486,909 S	2/2004	Cise	
6,722,904 B2	4/2004	Linhart	
D493,520 S	7/2004	Bertinetti et al.	
D493,884 S	8/2004	Virr et al.	
D497,203 S	10/2004	Lithgow et al.	
D500,847 S *	1/2005	Manke .....	D23/356
D504,945 S *	5/2005	Van Brunt .....	D24/110
D544,598 S	6/2007	Lithgow et al.	
7,226,302 B2	6/2007	Walter	
7,237,770 B2	7/2007	Lipscombe et al.	
D550,349 S	9/2007	Lithgow et al.	
D560,795 S	1/2008	Lithgow et al.	
D561,881 S *	2/2008	Huang .....	D23/356
D561,890 S	2/2008	Lithgow et al.	
D561,891 S	2/2008	Lithgow et al.	
D570,473 S	6/2008	Hamaguchi et al.	
D572,355 S *	7/2008	Gao .....	D23/356
D578,204 S	10/2008	Lithgow et al.	
D580,060 S	11/2008	Adams	
D585,131 S	1/2009	Trevor-Wilson et al.	
D585,540 S	1/2009	Lithgow et al.	
D590,494 S	4/2009	Lithgow et al.	
D592,301 S *	5/2009	Cork .....	D24/110
D594,102 S *	6/2009	Israel .....	D23/356
D597,186 S *	7/2009	Campbell .....	D23/356
D602,585 S	10/2009	Blackwell et al.	
D604,830 S	11/2009	Lithgow et al.	



(56)

References Cited

U.S. PATENT DOCUMENTS

D606,655 S \* 12/2009 Wilkinson ..... D24/164  
 D607,107 S \* 12/2009 McCombs ..... D24/164  
 D609,318 S \* 2/2010 Lam ..... D23/356  
 D610,250 S \* 2/2010 Neuner ..... D24/110  
 D611,593 S 3/2010 Lithgow et al.  
 D612,480 S 3/2010 Cork et al.  
 D614,286 S 4/2010 Lithgow et al.  
 D620,102 S \* 7/2010 Klien ..... D24/110  
 D621,031 S 8/2010 Lithgow et al.  
 D627,044 S 11/2010 Virr et al.  
 D628,288 S 11/2010 Row et al.  
 D629,891 S 12/2010 Virr et al.  
 D629,892 S 12/2010 Hill et al.  
 D635,244 S 3/2011 Virr et al.  
 D635,245 S 3/2011 Virr et al.  
 D635,654 S 4/2011 Virr et al.  
 D638,536 S 5/2011 Row et al.  
 D638,537 S 5/2011 Virr et al.  
 D638,933 S 5/2011 Hill et al.  
 D643,114 S 8/2011 Virr et al.  
 D644,731 S 9/2011 Fangrow, Jr.  
 D650,479 S 12/2011 Row et al.  
 D652,916 S 1/2012 Row et al.  
 D652,917 S 1/2012 Hill et al.  
 8,100,127 B2 1/2012 Worley  
 D655,813 S 3/2012 Row et al.  
 D658,283 S 4/2012 Burz et al.  
 D659,235 S 5/2012 Bertinetti et al.  
 D671,209 S 11/2012 Row et al.  
 D675,730 S \* 2/2013 Lithgow ..... D24/110  
 8,375,945 B2 \* 2/2013 Kepler ..... A61M 16/0051  
 128/202.27  
 D677,789 S 3/2013 Row et al.  
 D680,636 S \* 4/2013 Ching ..... D23/356  
 D682,406 S \* 5/2013 Yeom ..... D23/356  
 D685,896 S \* 7/2013 Niedermann ..... D23/356  
 D693,005 S \* 11/2013 Nawata ..... D24/164  
 D696,393 S \* 12/2013 Lu ..... D24/110  
 8,631,789 B2 \* 1/2014 Virr ..... A61M 16/0816  
 128/200.24  
 D699,356 S \* 2/2014 Patil ..... D24/164  
 D702,353 S \* 4/2014 Fujimoto ..... D24/164  
 D703,311 S \* 4/2014 Daly ..... D24/110  
 D707,334 S 6/2014 Hernandez  
 D707,338 S \* 6/2014 Ediger ..... D23/356  
 D708,316 S 7/2014 Bertinetti et al.  
 D710,989 S 8/2014 Bertinetti et al.  
 D716,419 S 10/2014 Hernandez  
 D716,452 S \* 10/2014 Hutchison ..... D24/164  
 D719,248 S \* 12/2014 Smith, Jr. .... D23/356  
 8,905,031 B2 12/2014 Barlow  
 D729,936 S \* 5/2015 Reback ..... D24/164  
 D735,865 S \* 8/2015 Nishimura ..... D24/164  
 D736,371 S 8/2015 Row  
 D738,488 S \* 9/2015 Formica ..... D24/110  
 D738,489 S \* 9/2015 Formica ..... D24/110  
 D741,477 S 10/2015 Rogers  
 D742,508 S 11/2015 Row  
 D743,556 S \* 11/2015 Bath ..... D24/164  
 D744,108 S \* 11/2015 Verma ..... D24/164  
 2006/0106345 A1 5/2006 Flaker et al.  
 2007/0169776 A1 7/2007 Kepler et al.  
 2007/0277828 A1 12/2007 Ho  
 2009/0025724 A1 1/2009 Herron, Jr.  
 2009/0123886 A1 5/2009 Vaska  
 2009/0223514 A1 9/2009 Smith et al.  
 2010/0116272 A1 5/2010 Row et al.  
 2010/0307502 A1 12/2010 Rummery  
 2011/0017212 A1 1/2011 Kenyon et al.  
 2011/0023874 A1 2/2011 Bath  
 2011/0100363 A1 5/2011 Barclay et al.  
 2011/0155132 A1 6/2011 Virr et al.  
 2011/0180068 A1 7/2011 Kenyon et al.  
 2012/0227738 A1 9/2012 Virr  
 2012/0285454 A1 11/2012 Nibu et al.

2012/0304994 A1\* 12/2012 Kwok ..... A61M 16/0066  
 128/204.21  
 2013/0008440 A1 1/2013 Maurer et al.  
 2013/0011823 A1 1/2013 Hassanein et al.  
 2013/0206140 A1 8/2013 Kepler et al.  
 2013/0239961 A1 9/2013 Ross et al.  
 2013/0263854 A1 10/2013 Taylor et al.  
 2013/0280055 A1 10/2013 Daly et al.  
 2014/0130802 A1 5/2014 Virr et al.  
 2014/0202460 A1 7/2014 Bath et al.  
 2014/0216459 A1 8/2014 Vos et al.  
 2014/0246025 A1 9/2014 Cragg et al.  
 2015/0283350 A1 10/2015 Miller  
 2015/0306326 A1 10/2015 Graham  
 2015/0306332 A1 10/2015 Bafle  
 2015/0335851 A1\* 11/2015 Cullen ..... A61M 16/0066  
 128/204.25  
 2015/0359989 A1\* 12/2015 Potharaju ..... A61M 16/1075  
 128/203.27

FOREIGN PATENT DOCUMENTS

EM 001312953-0001 3/2012  
 EM 001312953-0002 3/2012  
 EM 001312953-0003 3/2012  
 EM 001312953-0004 3/2012  
 EM 001312953-0005 3/2012  
 EP 2 703 034 A2 8/2013  
 WO WO 2011/056080 A1 5/2011  
 WO WO 2012/160477 A1 11/2012

OTHER PUBLICATIONS

Office Action mailed Jan. 20, 2016 in U.S. Appl. No. 29/515,282 (7 pages).  
 U.S. Appl. No. 61/838,971, filed Jun. 2013, Huby et al.  
 U.S. Appl. No. 61/987,245, filed May 2014, Foote et al.  
 U.S. Appl. No. 29/456,458, filed May 2013, Formica et al.  
 U.S. Appl. No. 29/482,519, filed Feb. 2014, Bath et al.  
 U.S. Appl. No. 29/502,152, filed Sep. 2014, Bertinetti et al.  
 U.S. Appl. No. 29/482,541, filed Feb. 2014, Verma et al.  
 U.S. Appl. No. 29/485,313, filed Mar. 2014, Formica et al.  
 U.S. Appl. No. 29/492,344, filed May 2014, Bertinetti et al.  
 Office Action mailed Nov. 7, 2014 in Design U.S. Appl. No. 29/482,519 (5 pages).  
 ResMed S9™ Series, No Other Sleep Therapy System Delivers, 2010 (12 pages).  
 Philips Respironics, System One Sleep Therapy System, May 2012 (2 pages).  
 Fisher & Paykel Healthcare, Icon Brochure, 2010 (2 pages).  
 Fisher & Paykel Healthcare, Icon User Manual, Jan. 2010 (214 pages).  
 Office Action mailed Dec. 3, 2014 in U.S. Appl. No. 29/456,458 (7 pages).  
 U.S. Appl. No. 29/456,477, filed May 2013, Formica et al.  
 U.S. Office Action dated Jul. 5, 2016 issued in U.S. Appl. No. 29/502,152, citing U.S. Pat. No. D. 695,388, U.S. Pat. No. D. 708,316, US 2014/0202460, US 2014/0216459, U.S. Pat. No. D. 710,989, US 2015/0273167, US 2015/02277733, and U.S. Pat. No. D. 759,234.

\* cited by examiner

Primary Examiner — Wan Laymon  
 Assistant Examiner — Mark Booker  
 (74) Attorney, Agent, or Firm — Nixon & Vanderhye P.C.

(57)

CLAIM

The ornamental design for a positive airway pressure delivery console, as shown and described.

DESCRIPTION

FIG. 1 is a front perspective view of a positive airway pressure delivery console showing an embodiment according to our new ornamental design;

FIG. 2 is front view thereof;  
FIG. 3 is a rear view thereof;  
FIG. 4 is a top view thereof;  
FIG. 5 is a bottom view thereof;  
FIG. 6 is a right side view thereof;  
FIG. 7 is a left side view thereof;  
FIG. 8 is another front perspective view thereof;  
FIG. 9 is a front perspective view of a positive airway pressure delivery console showing an embodiment according to our new ornamental design;  
FIG. 10 is front view thereof;

FIG. 11 is a rear view thereof;  
FIG. 12 is a top view thereof;  
FIG. 13 is a bottom view thereof;  
FIG. 14 is a right side view thereof;  
FIG. 15 is a left side view thereof; and,  
FIG. 16 is another front perspective view thereof.  
The broken lines represent environment or structure and do not form a portion of the claimed design.  
One or more views (e.g., the bottom view) may be omitted and therefore does not form a part of the claimed design.

**1 Claim, 10 Drawing Sheets**

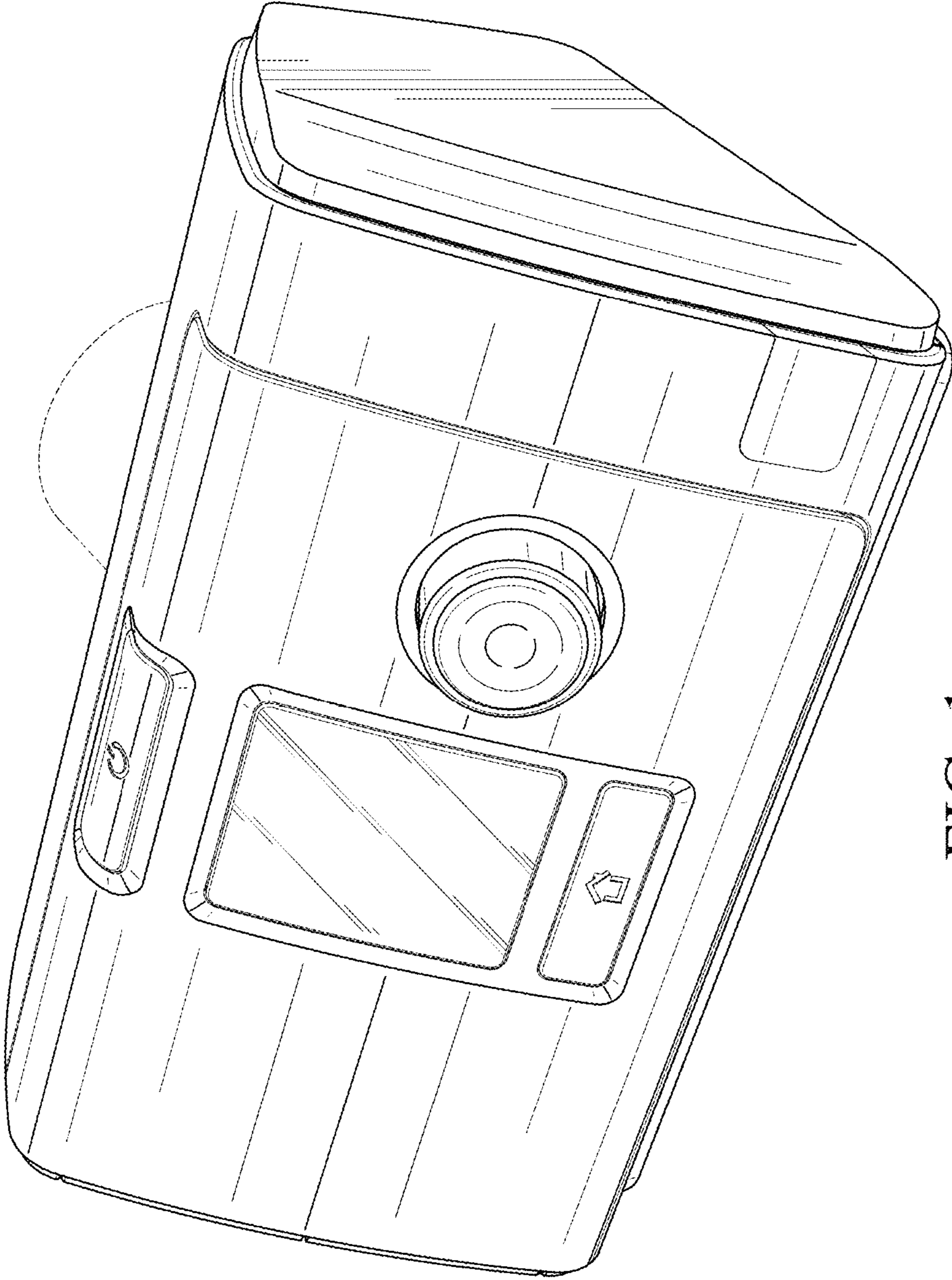


FIG. 1

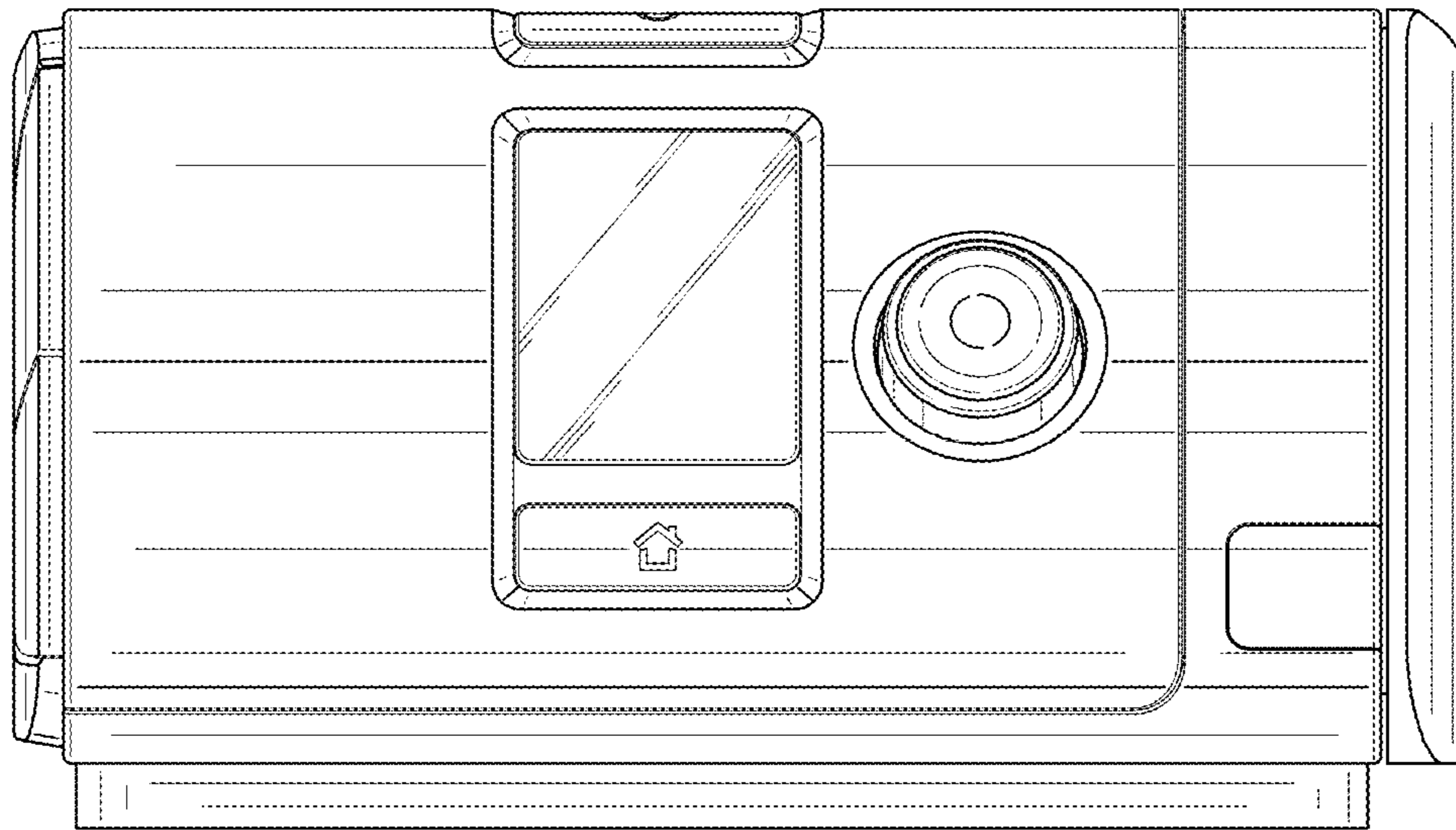


FIG. 2

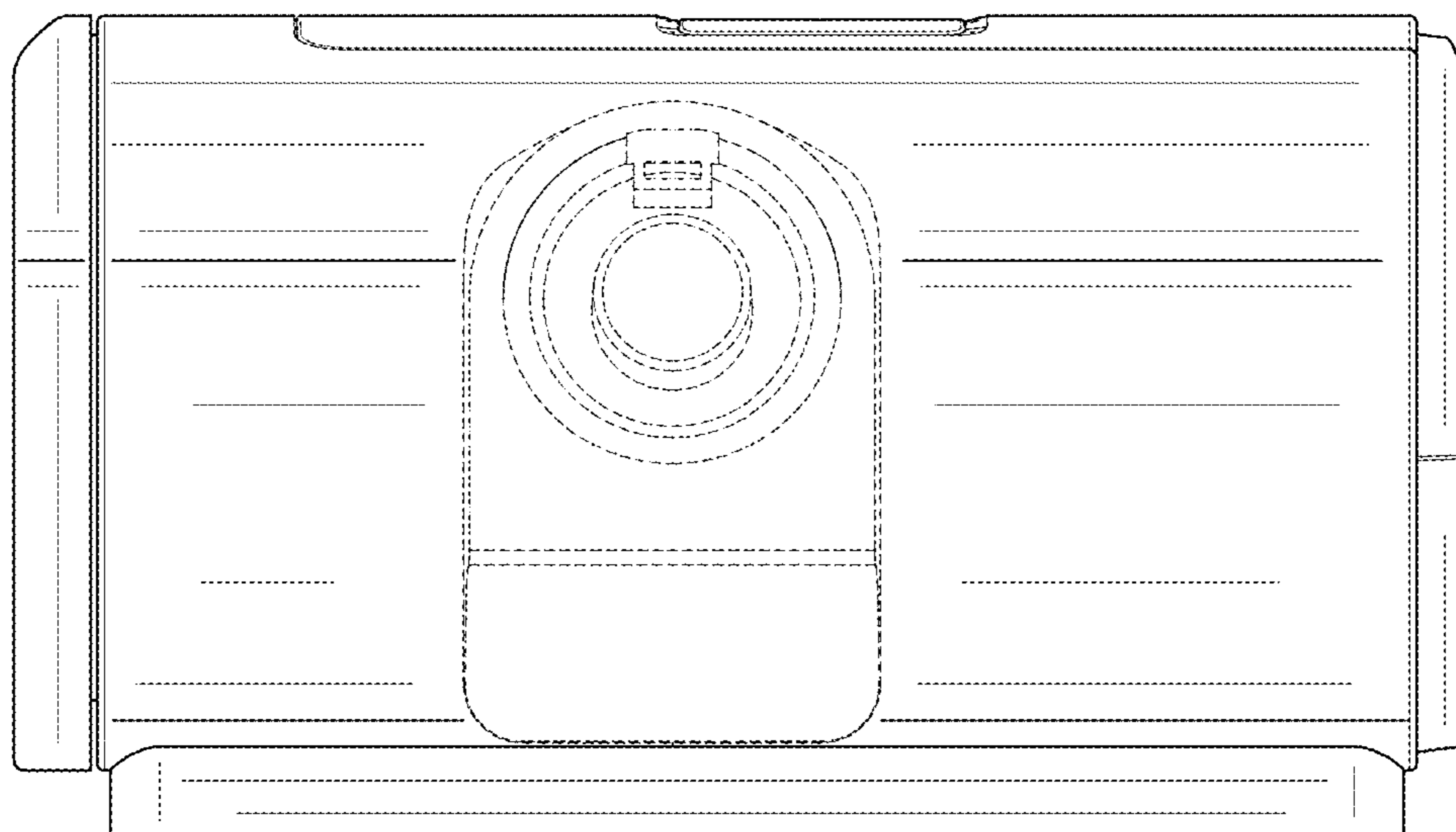


FIG. 3

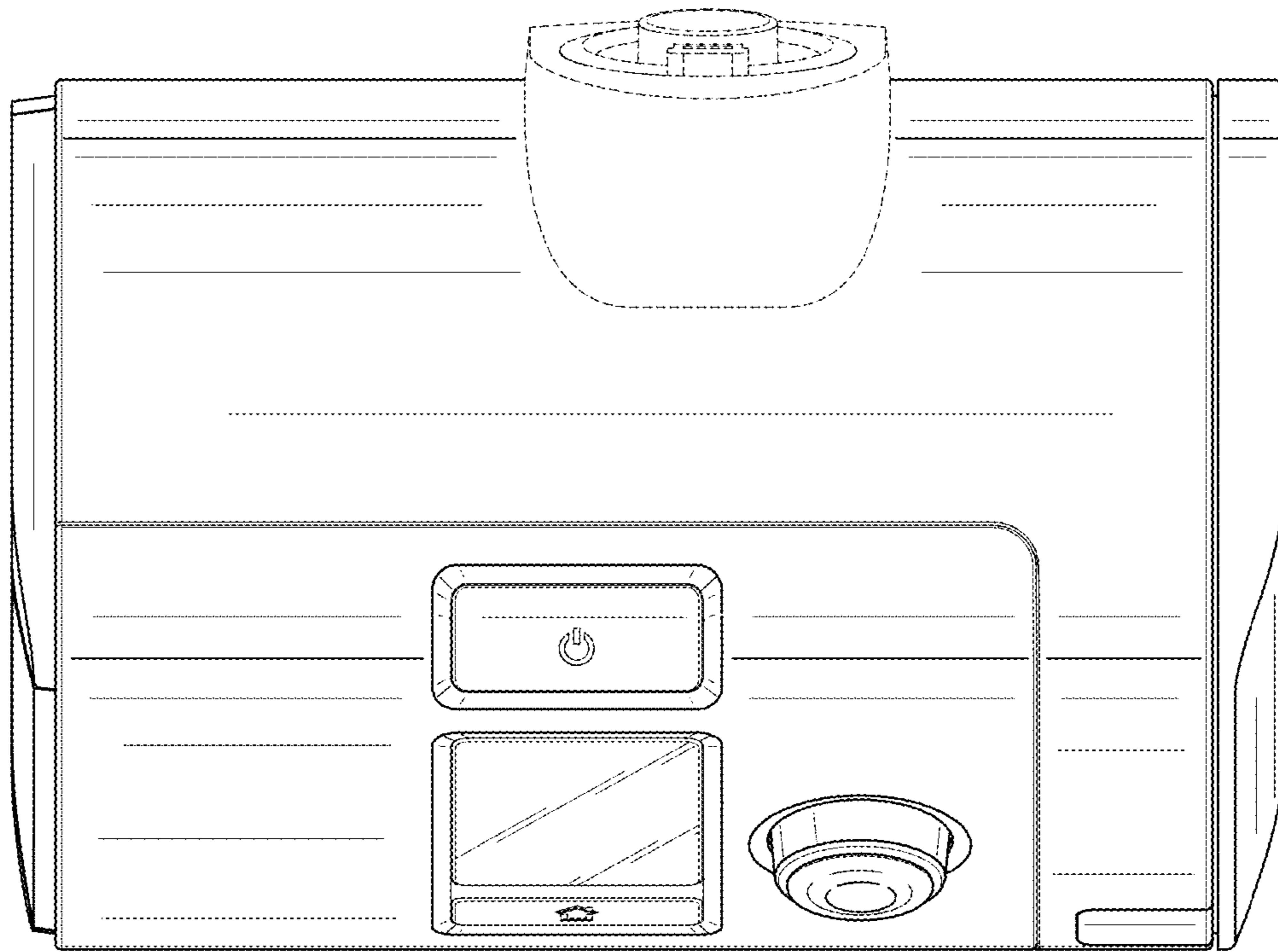


FIG. 4

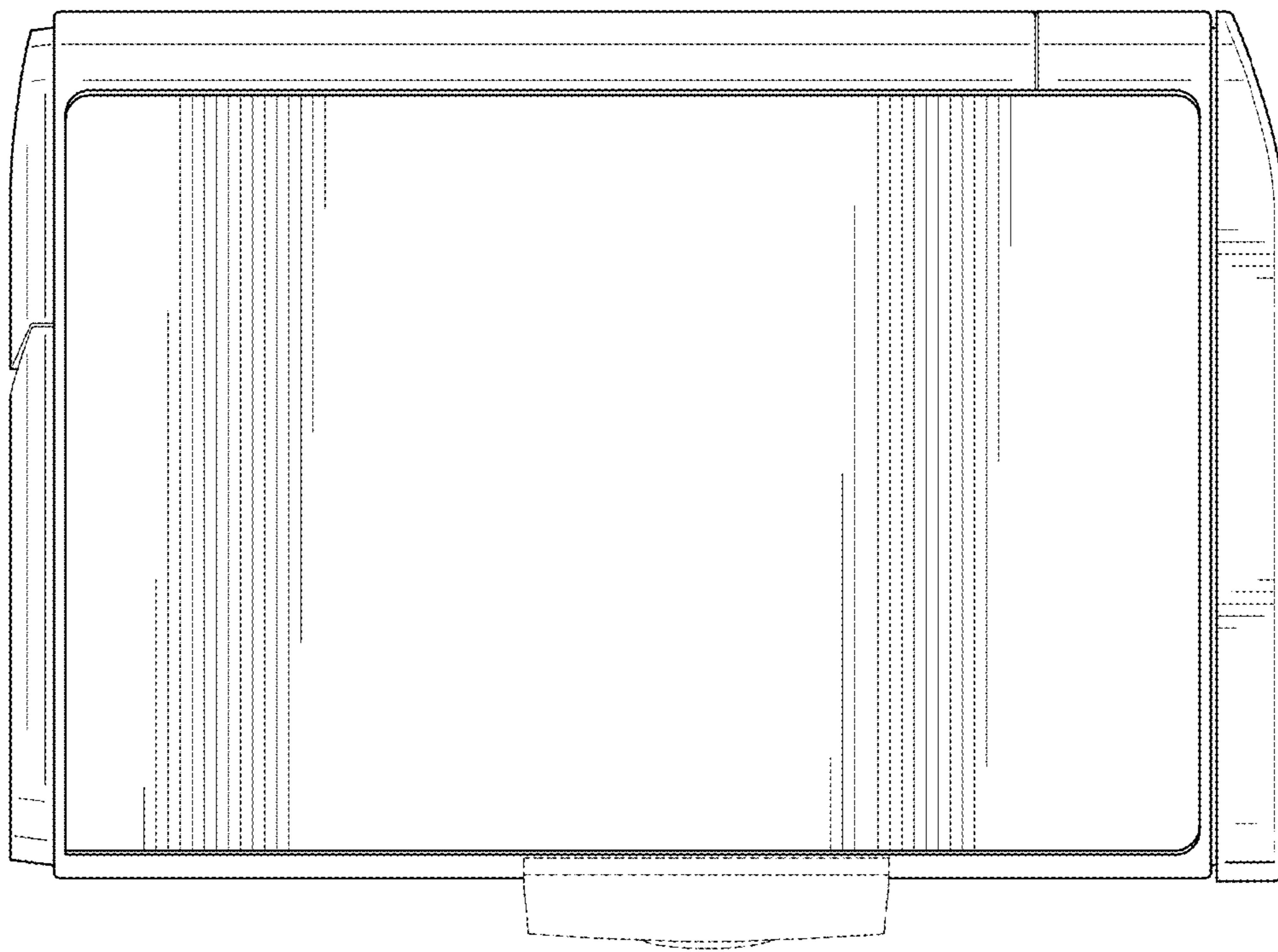


FIG. 5

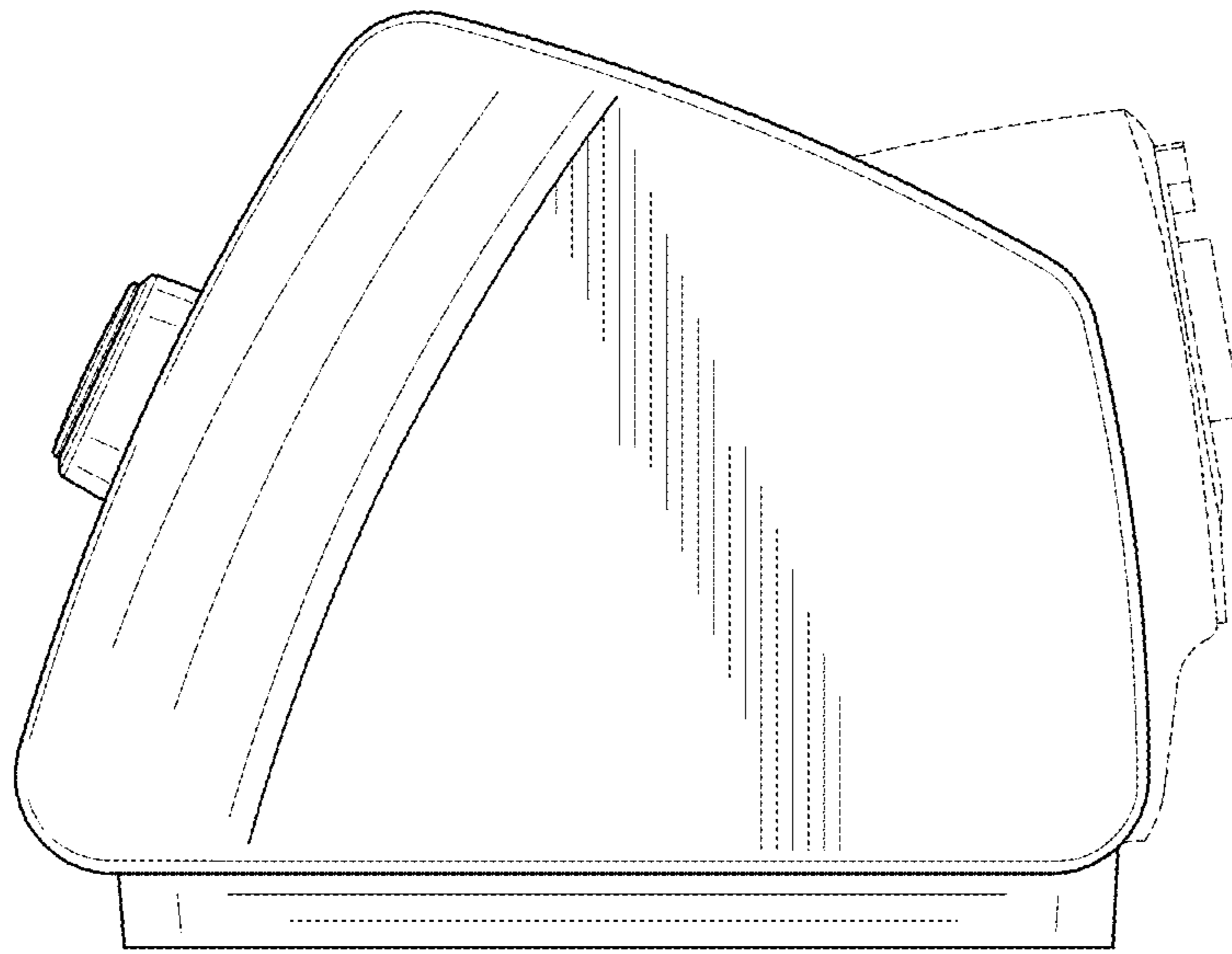


FIG. 6

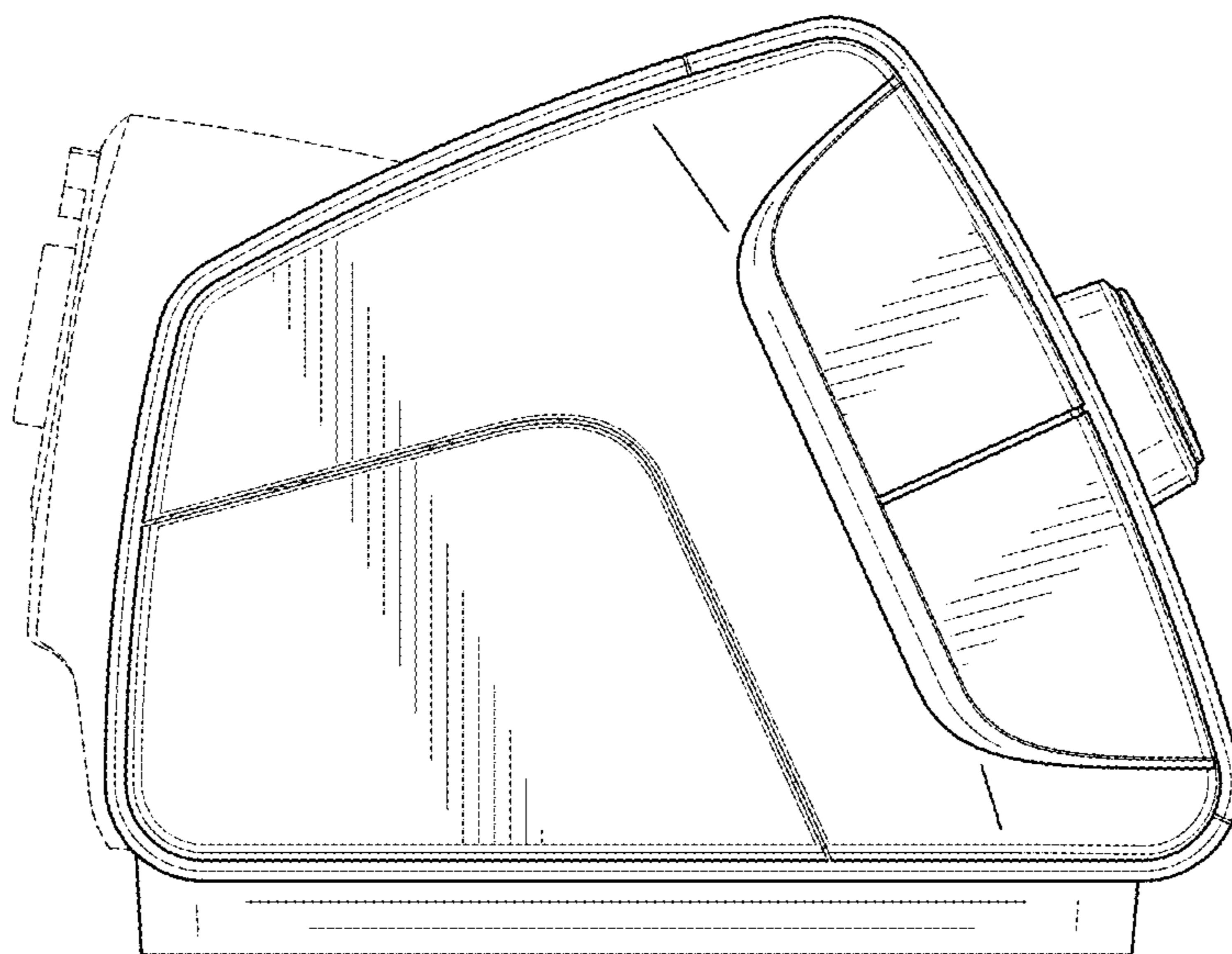


FIG. 7

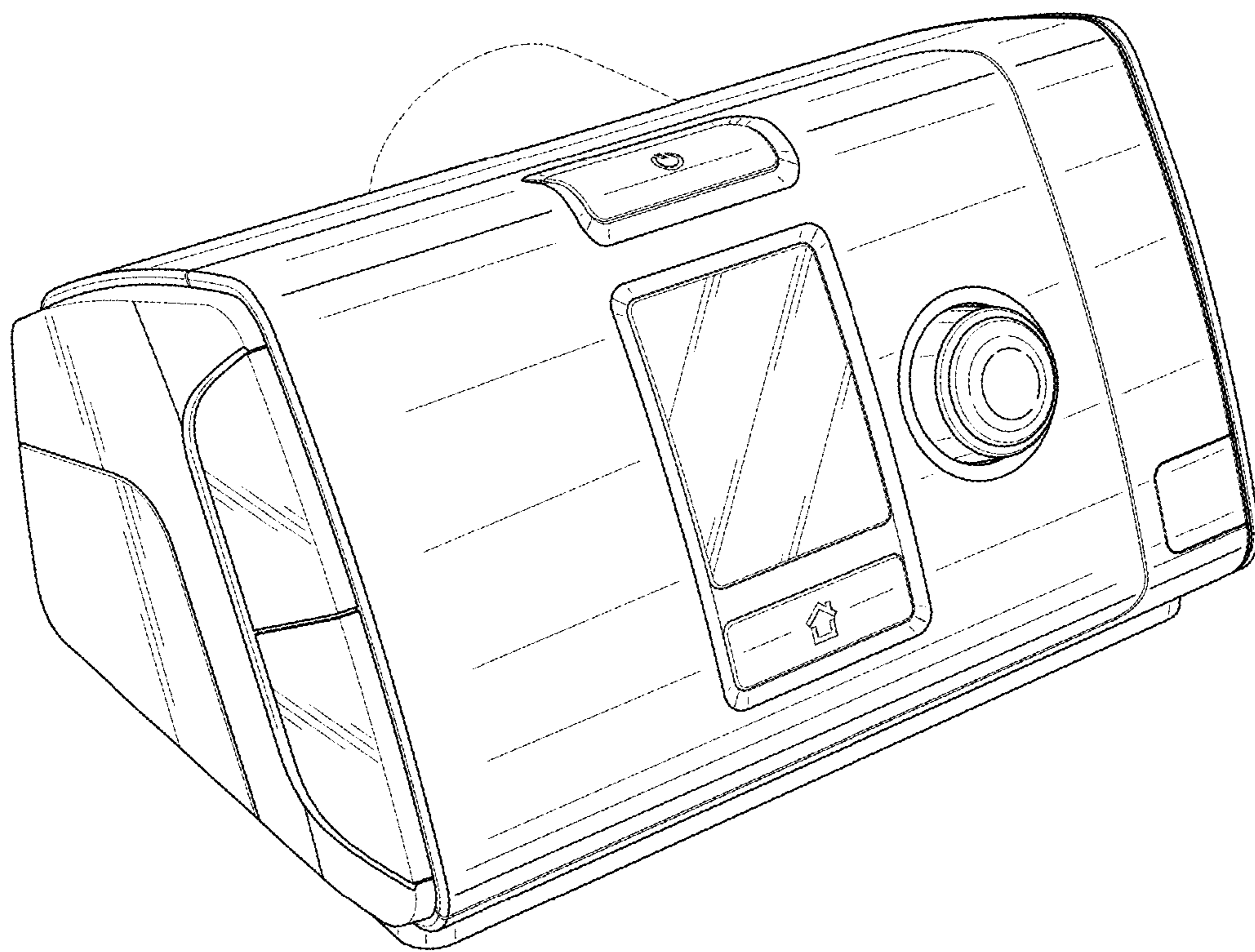


FIG. 8



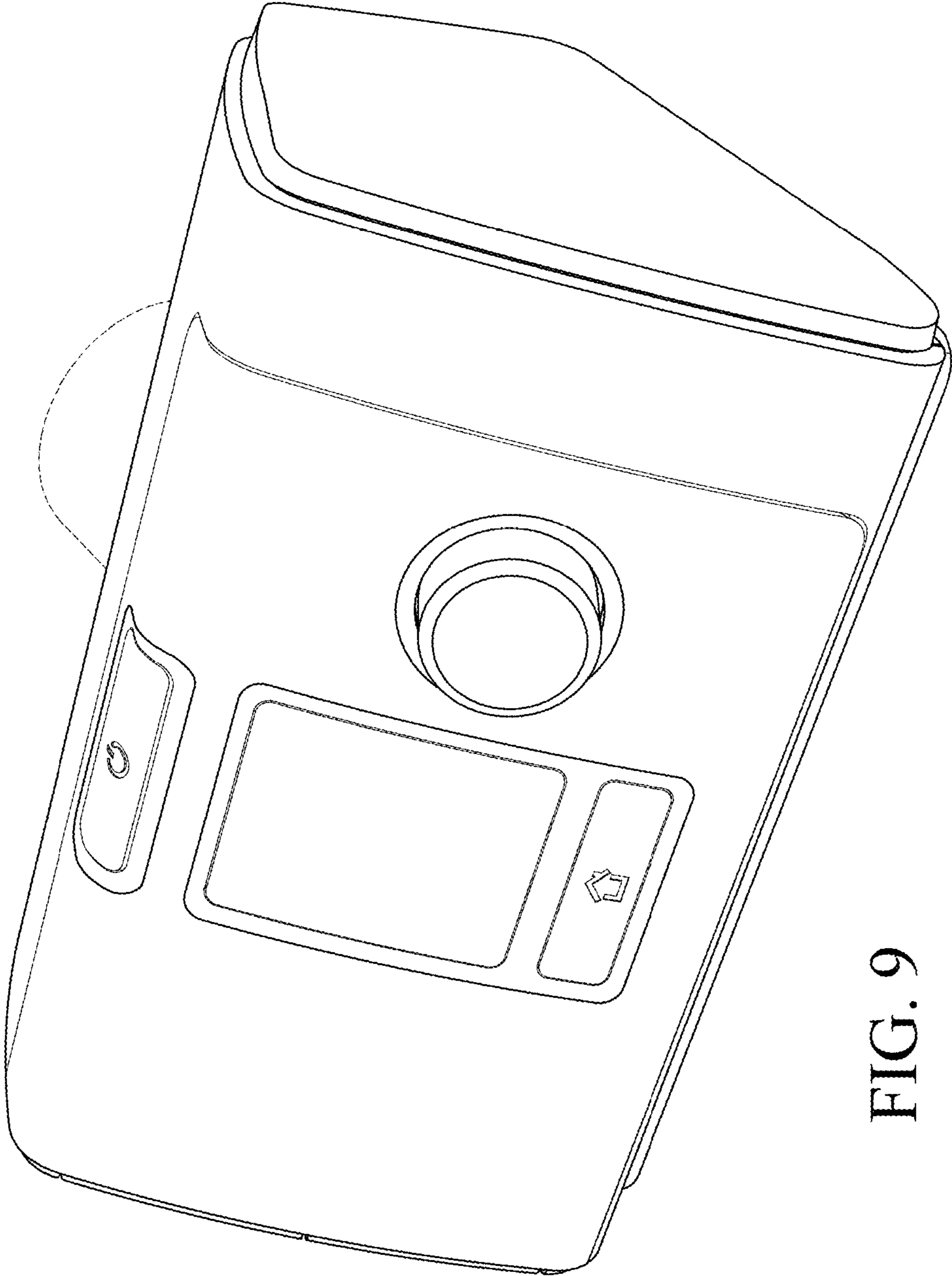


FIG. 9

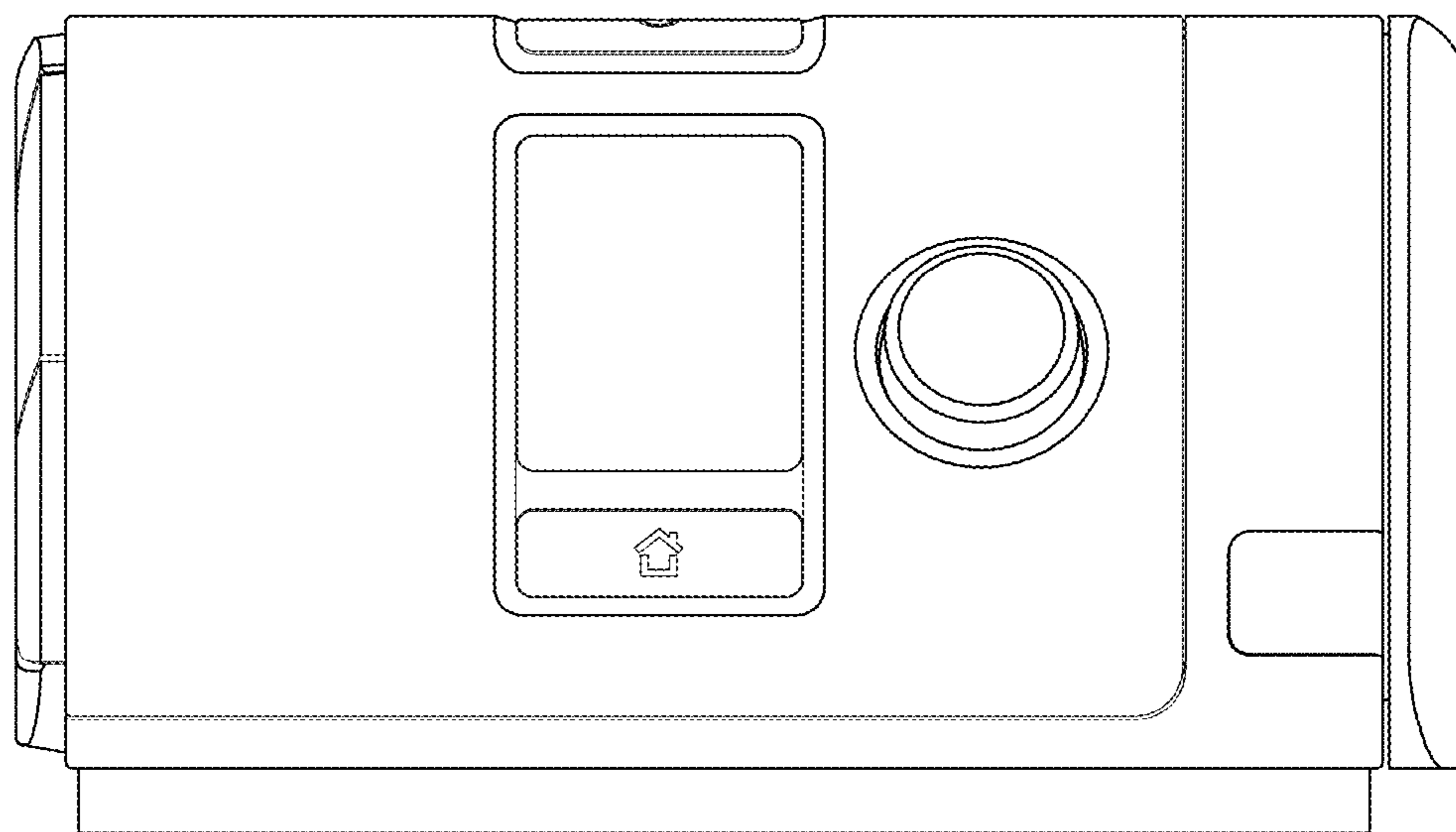


FIG. 10

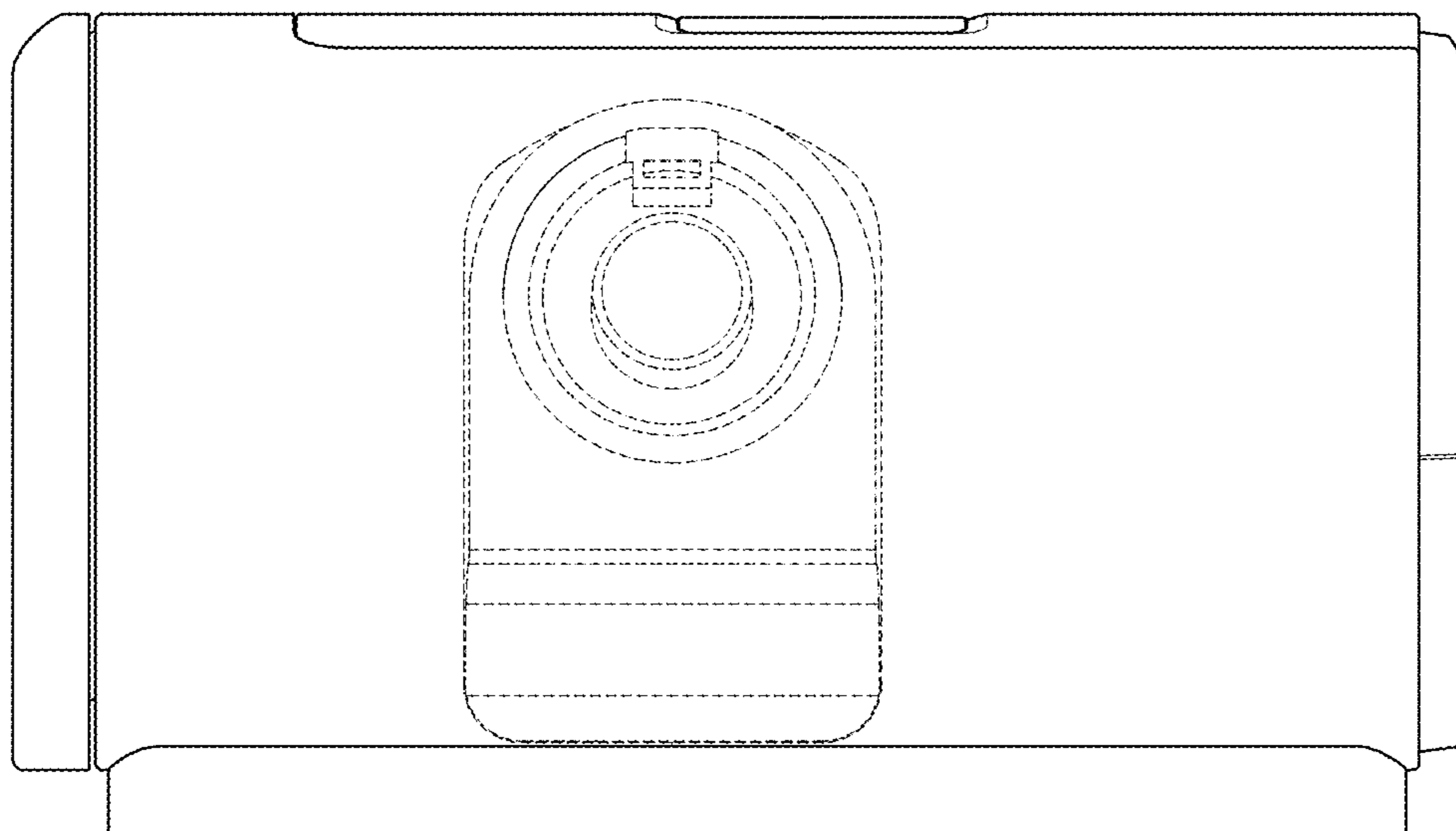


FIG. 11

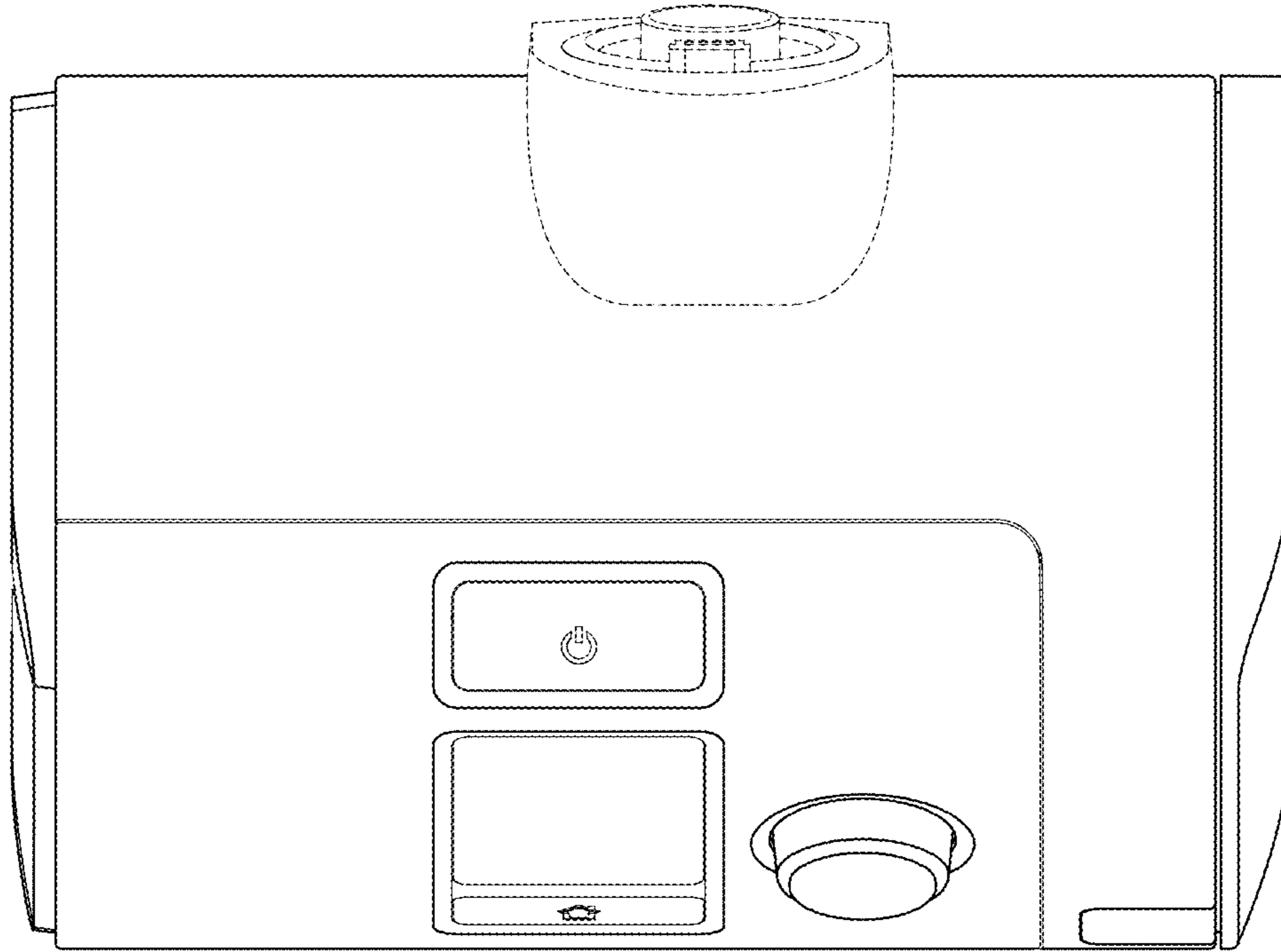


FIG. 12

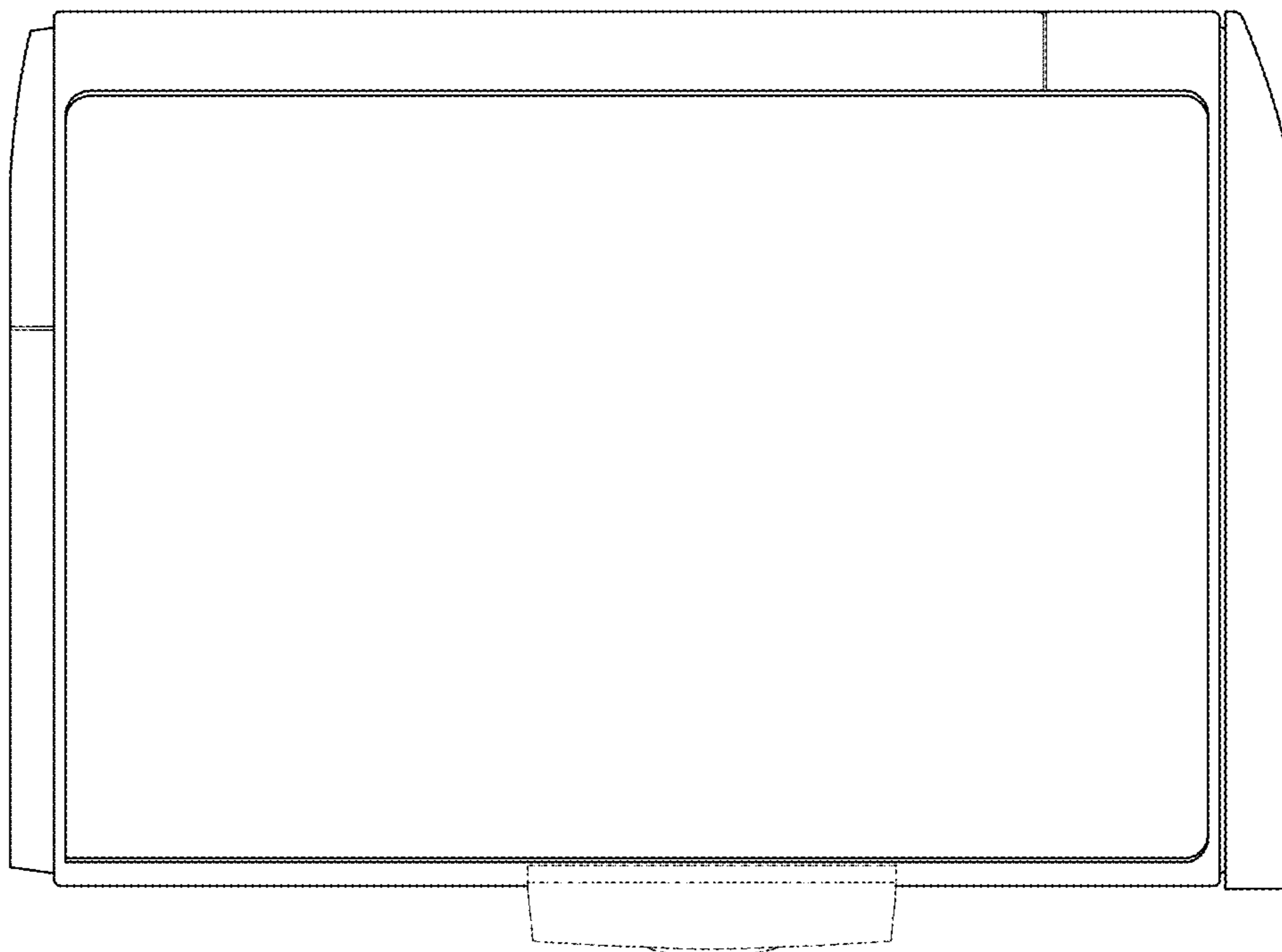


FIG. 13

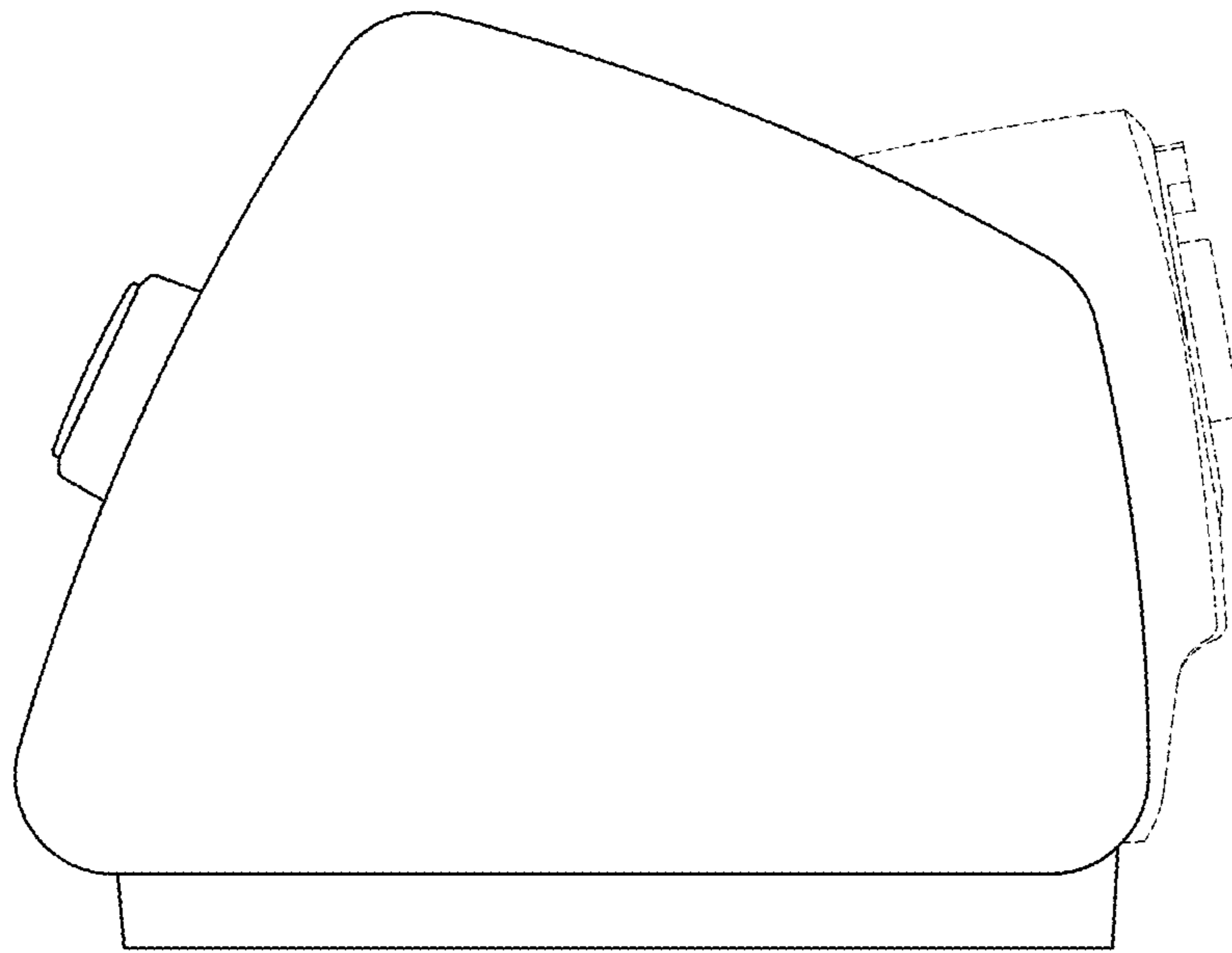


FIG. 14

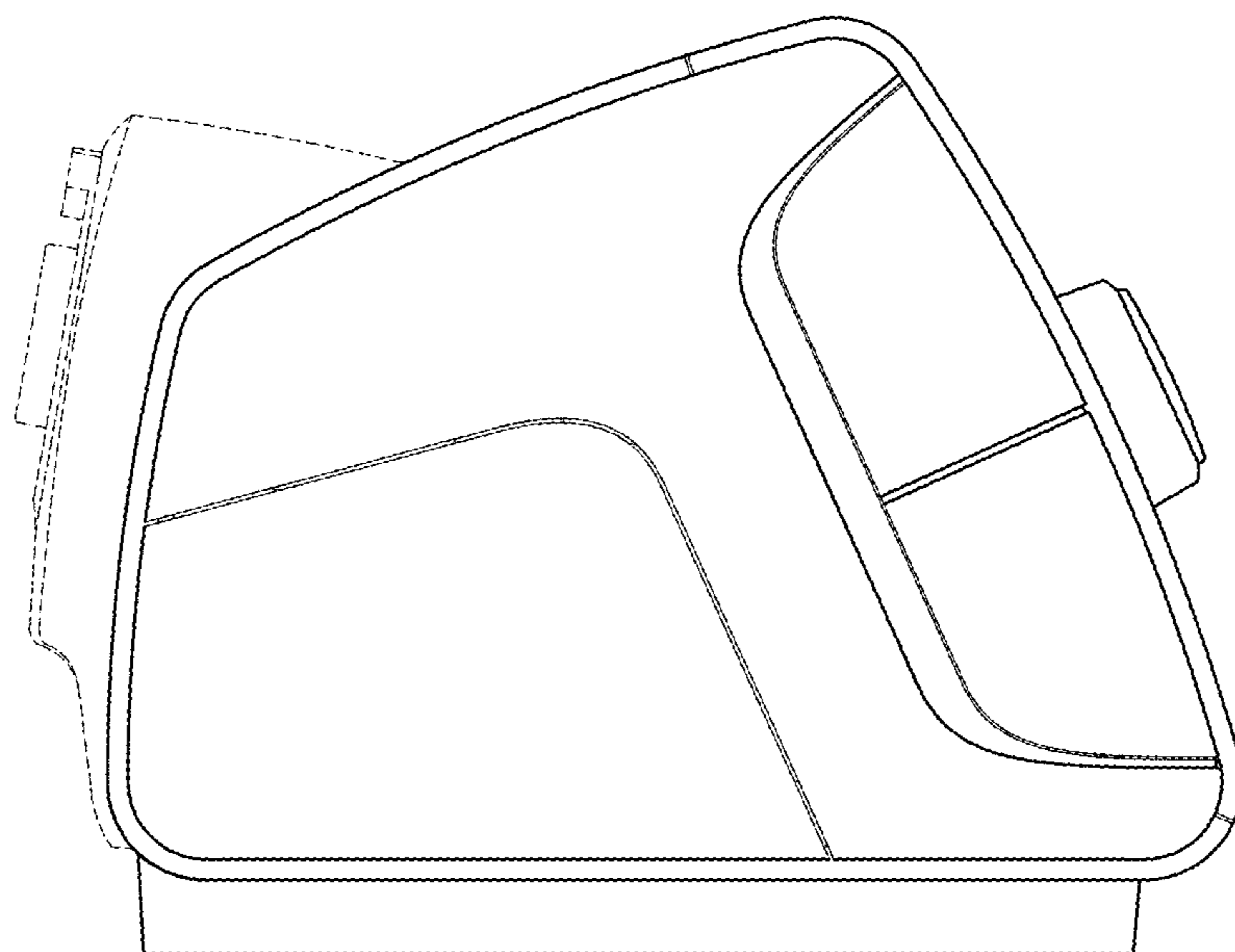


FIG. 15

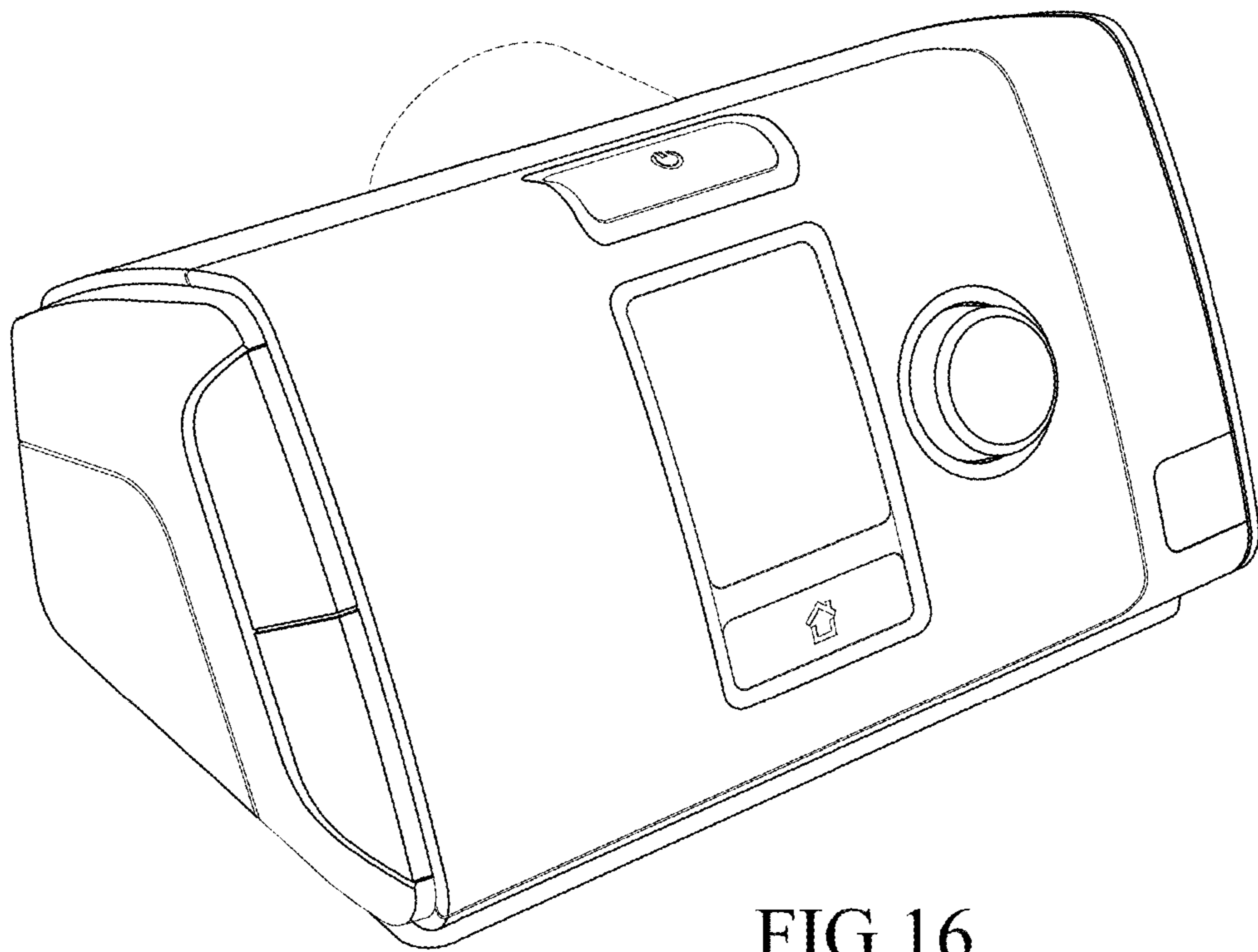


FIG.16