



US00D776252S

(12) **United States Design Patent** (10) **Patent No.:** **US D776,252 S**
Hoke et al. (45) **Date of Patent:** **** Jan. 10, 2017**

(54) **NASAL IRRIGATION DEVICE**

(56) **References Cited**

(71) Applicant: **RHINOSYSTEMS, INC.**, Cleveland, OH (US)

(72) Inventors: **Martin R Hoke**, Lakewood, OH (US); **Robert D Schilling**, Olmsted Township, OH (US); **John R Nottingham**, Bratenahl, OH (US); **John W Spirk**, Gates Mills, OH (US); **Patrick W Brown**, Auburn, OH (US); **Jeffrey S Taggart**, Cleveland Heights, OH (US)

U.S. PATENT DOCUMENTS

1,248,891	A *	12/1917	Nichols	604/19
1,856,811	A *	5/1932	Inaki	604/38
2,470,297	A *	5/1949	Fields	128/203.15
D594,968	S *	6/2009	Sebban	D24/108
D623,287	S *	9/2010	Hoke et al.	D24/108
7,959,597	B2 *	6/2011	Baker et al.	604/28
2008/0221507	A1 *	9/2008	Hoke et al.	604/28
2010/0152653	A1 *	6/2010	Hoke et al.	604/94.01
2012/0280002	A1 *	11/2012	Huang	222/562
2012/0330239	A1 *	12/2012	Hoke et al.	604/151

(73) Assignee: **RhinoSystems, Inc.**, Cleveland, OH (US)

* cited by examiner

(**) Term: **14 Years**

Primary Examiner — Deanna L Pratt

Assistant Examiner — Lilyana Bekic

(21) Appl. No.: **29/491,742**

(74) *Attorney, Agent, or Firm* — Fay Sharpe LLP

(22) Filed: **May 23, 2014**

(57) **CLAIM**

The ornamental design for a nasal irrigation device, as shown and described.

Related U.S. Application Data

(63) Continuation-in-part of application No. 13/551,274, filed on Jul. 17, 2012.

(51) **LOC (10) Cl.** **24-01**

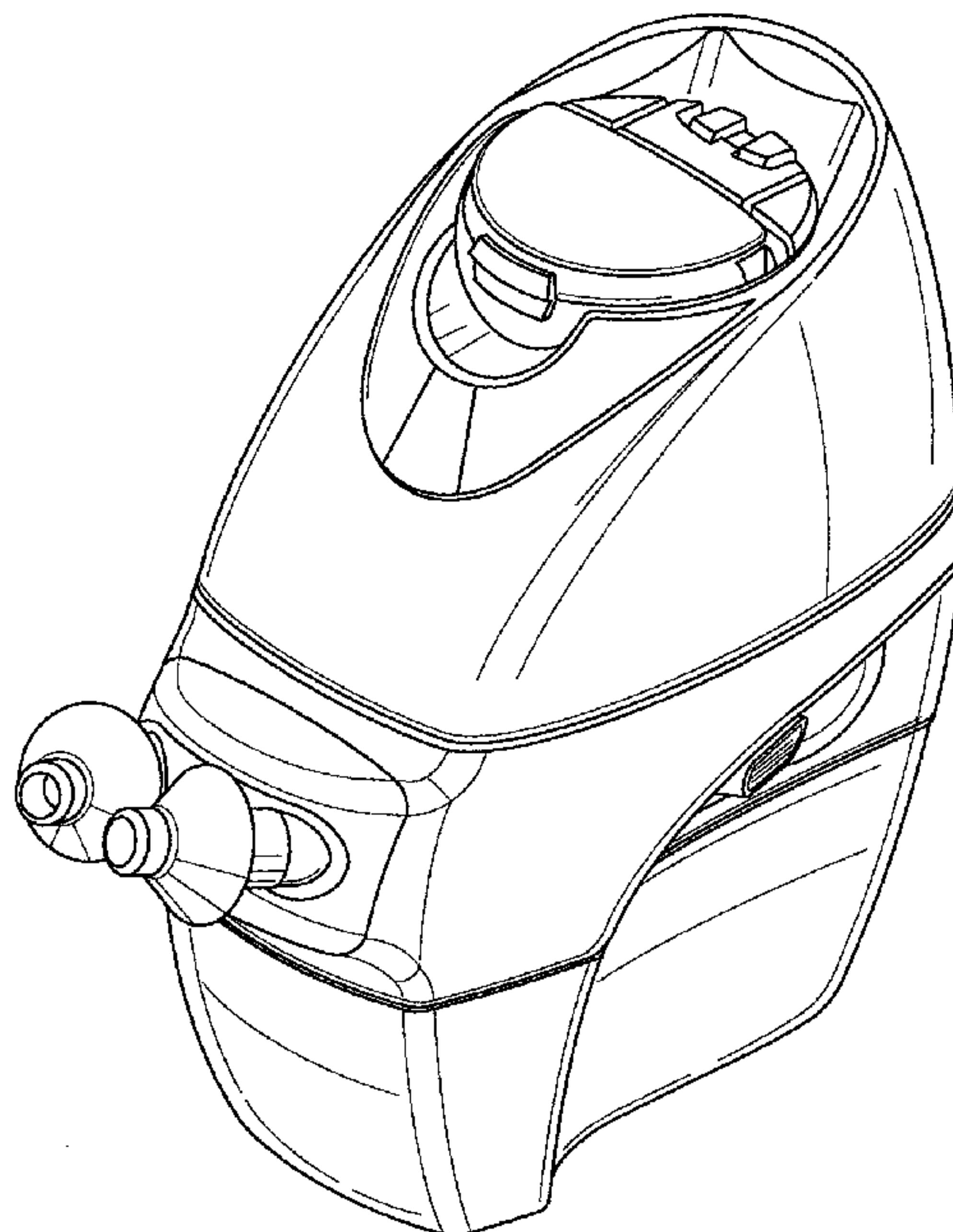
(52) **U.S. Cl.**
USPC **D24/108**

(58) **Field of Classification Search**
USPC D24/107, 108, 110, 110.5, 111, 127
CPC . B05B 11/043; A61B 2017/246; A61H 35/04;
A61M 15/00; A61M 15/08; A61M
3/0279; A61M 3/0262; A61M 2210/0618
See application file for complete search history.

DESCRIPTION

FIG. 1 is a perspective view of a nasal irrigation device;
FIG. 2 is a first side plan view thereof;
FIG. 3 is a front plan view thereof;
FIG. 4 is the other side plan view thereof;
FIG. 5 is a rear plan view thereof;
FIG. 6 is a top end view thereof;
FIG. 7 is a bottom end view thereof; and,
FIG. 8 is another perspective view thereof.

1 Claim, 5 Drawing Sheets



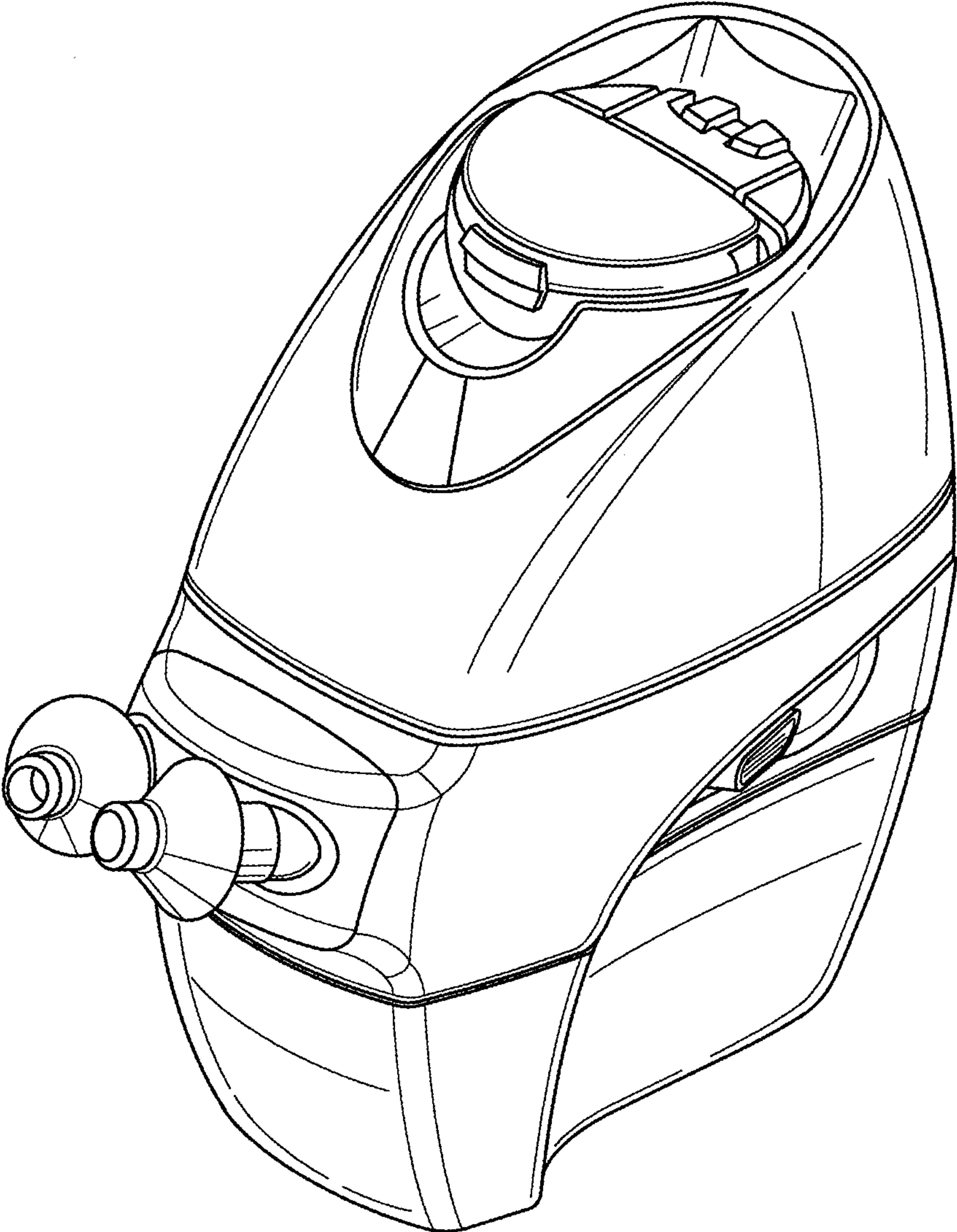


FIG. 1

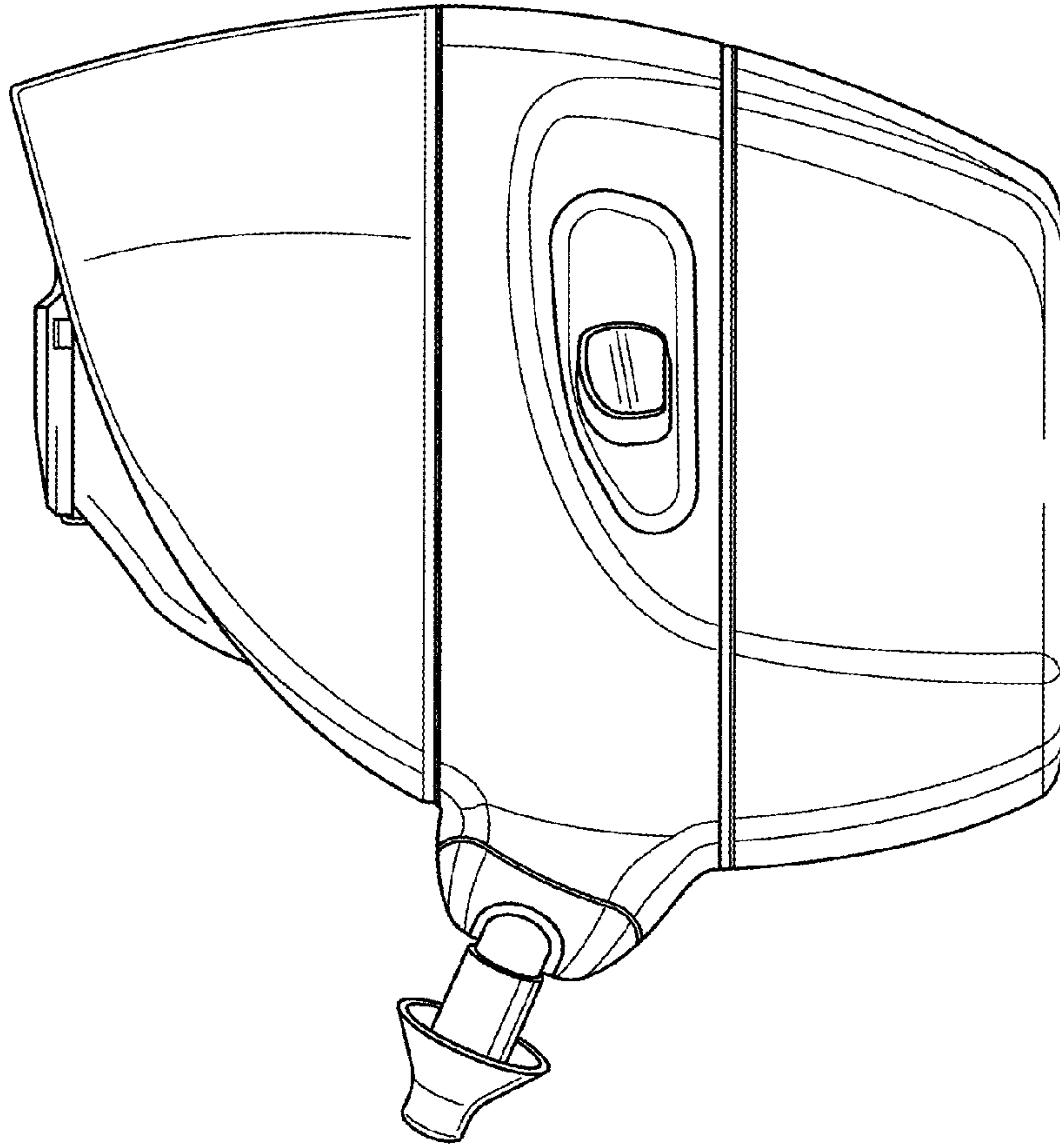


FIG. 2

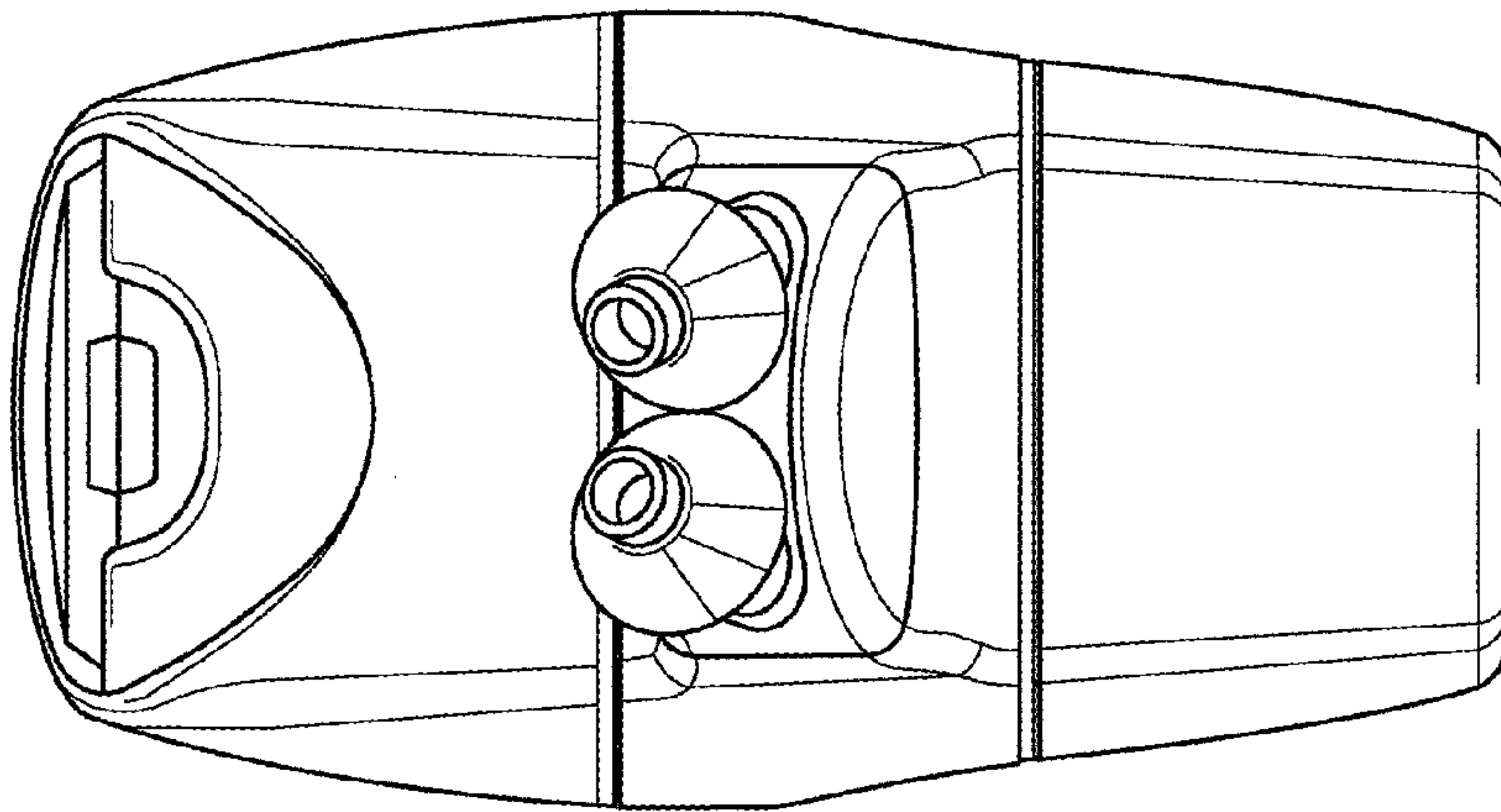


FIG. 3

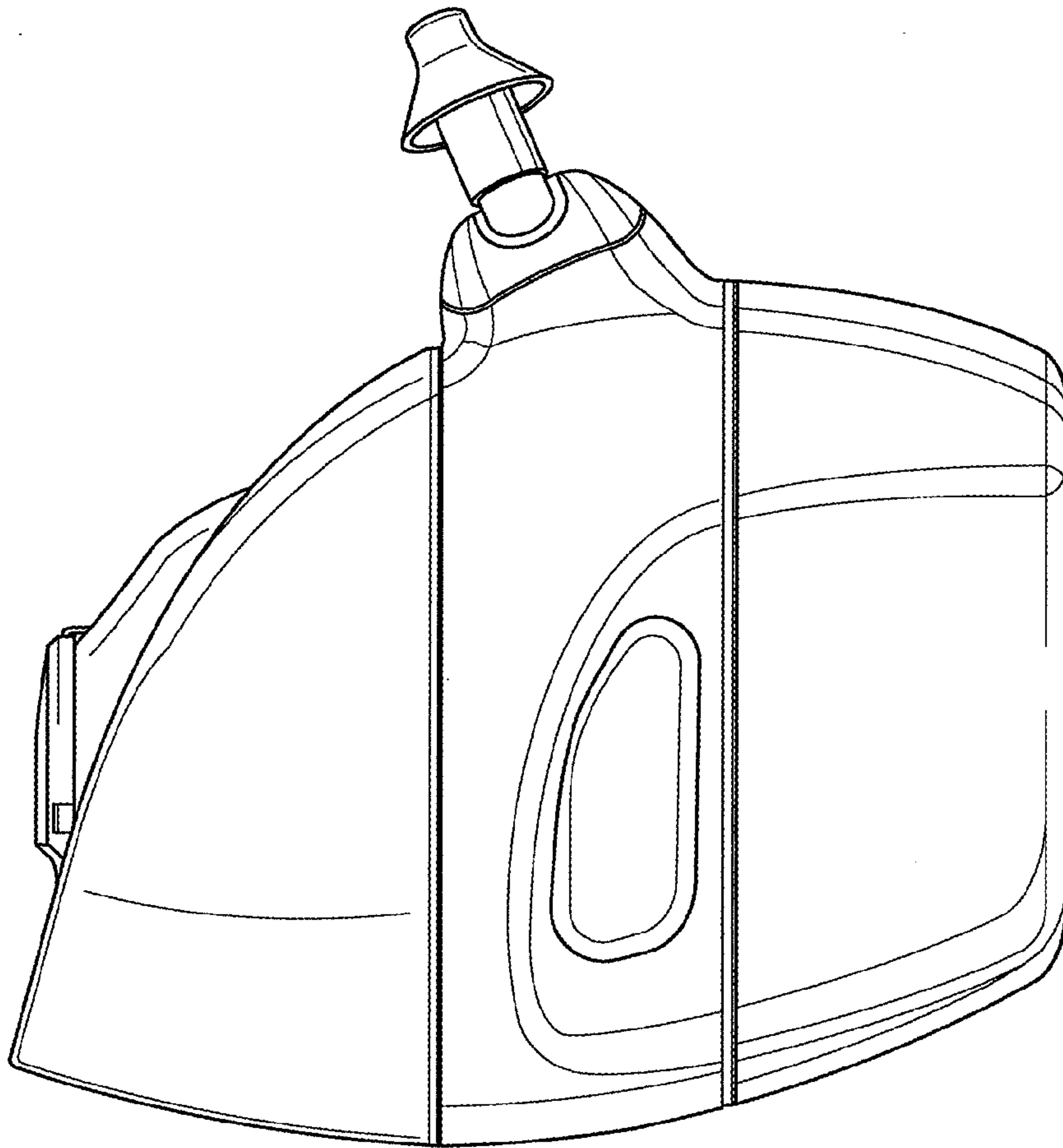


FIG. 4

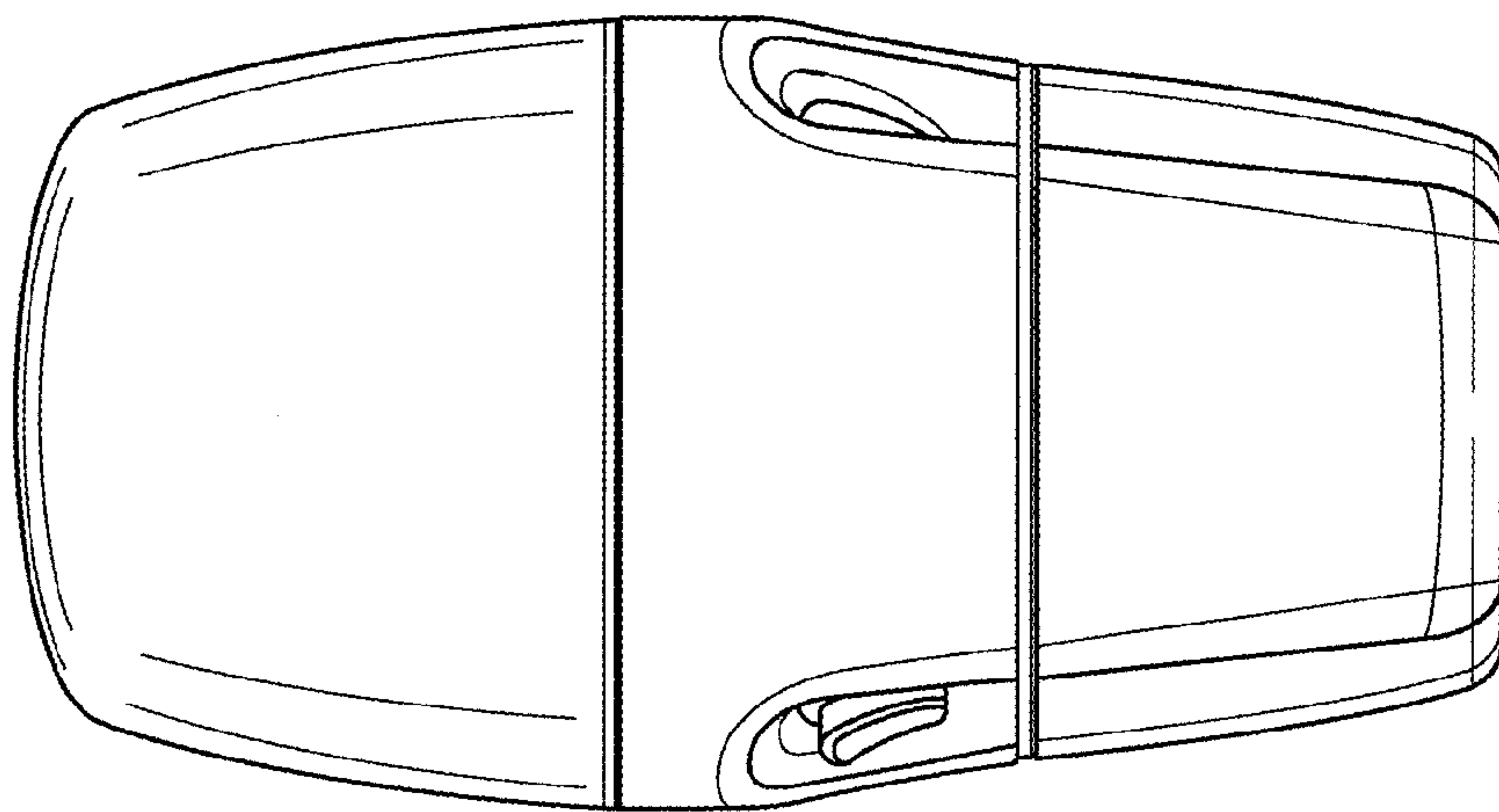


FIG. 5

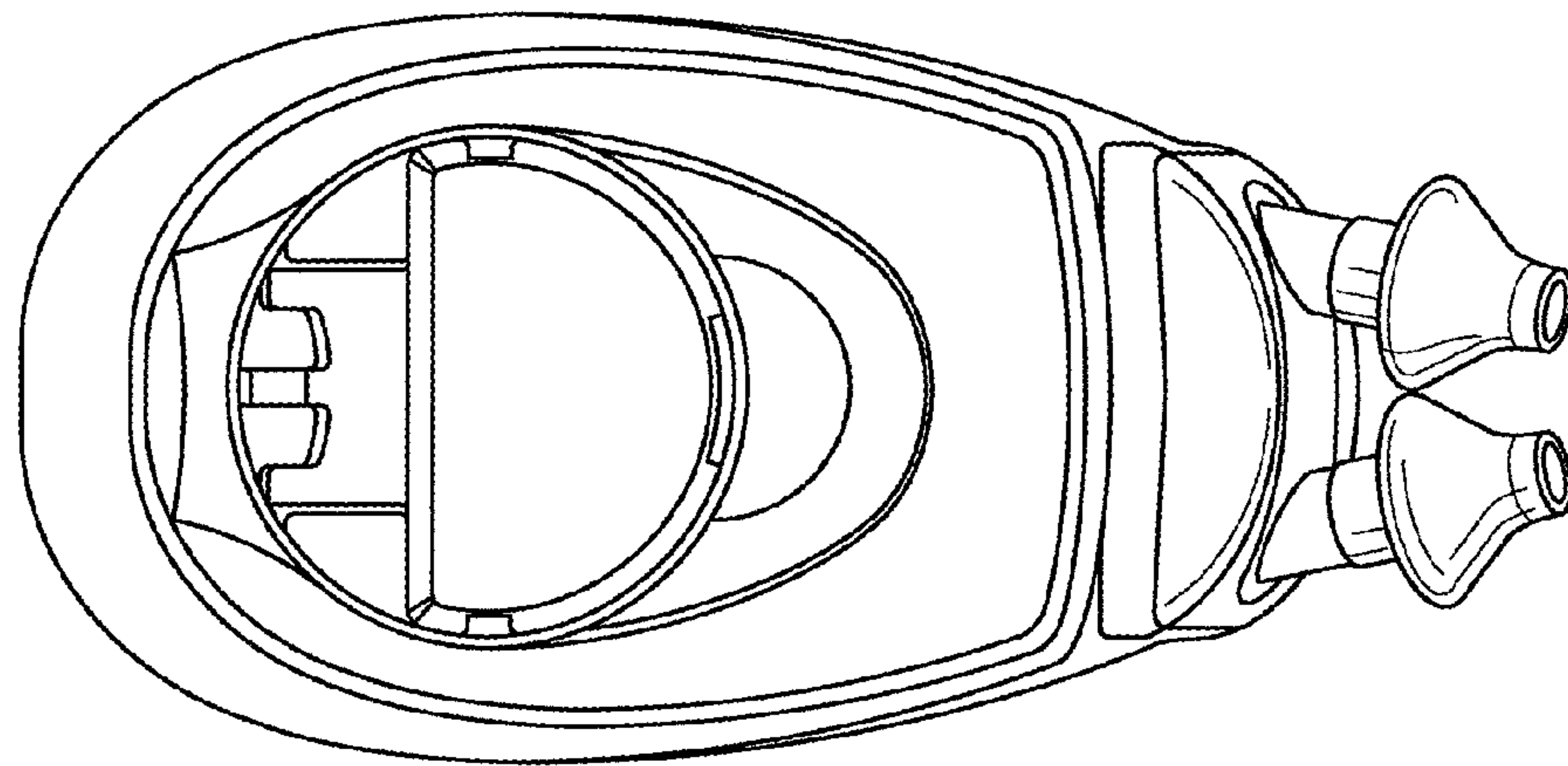


FIG. 6

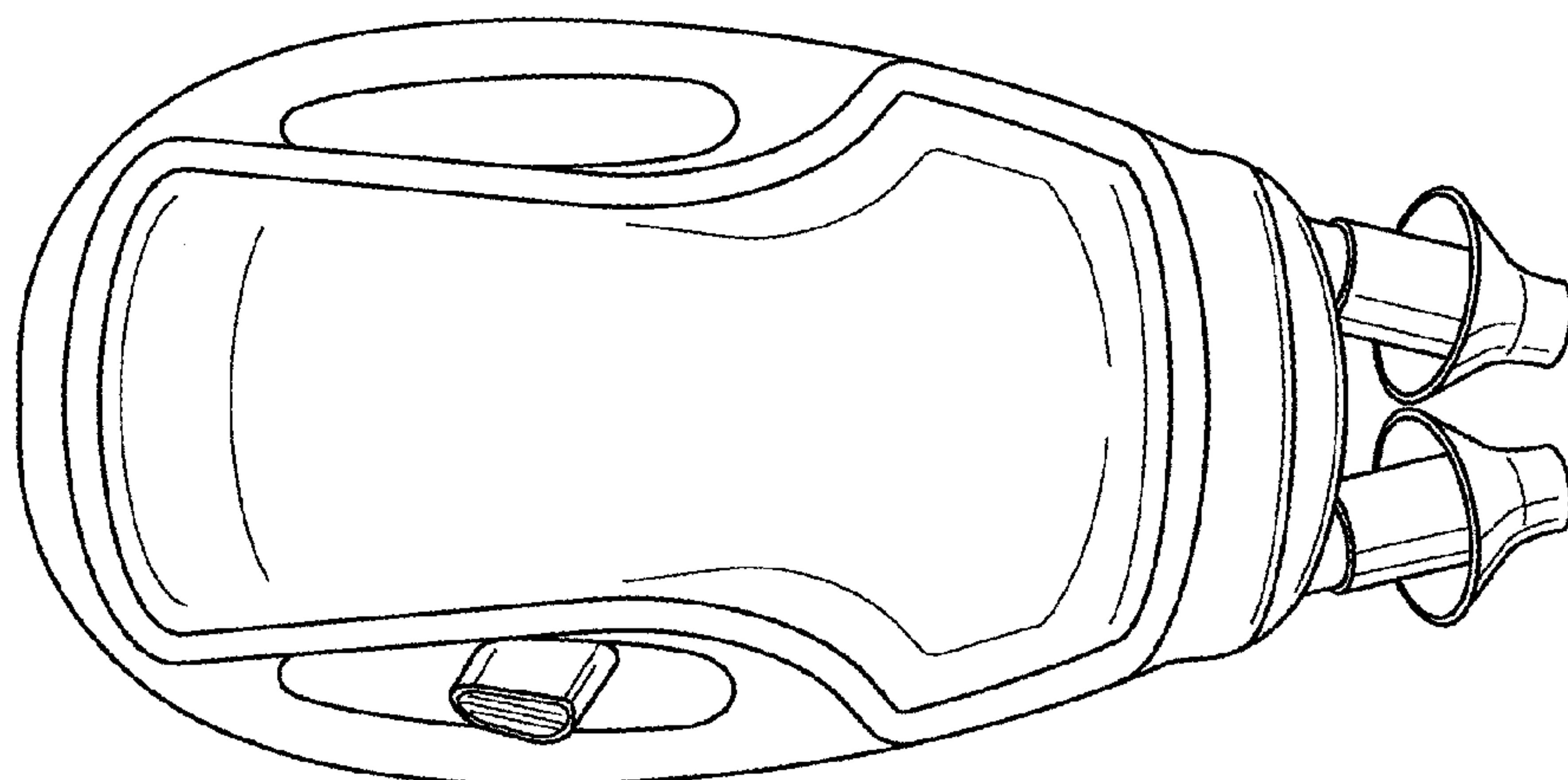


FIG. 7

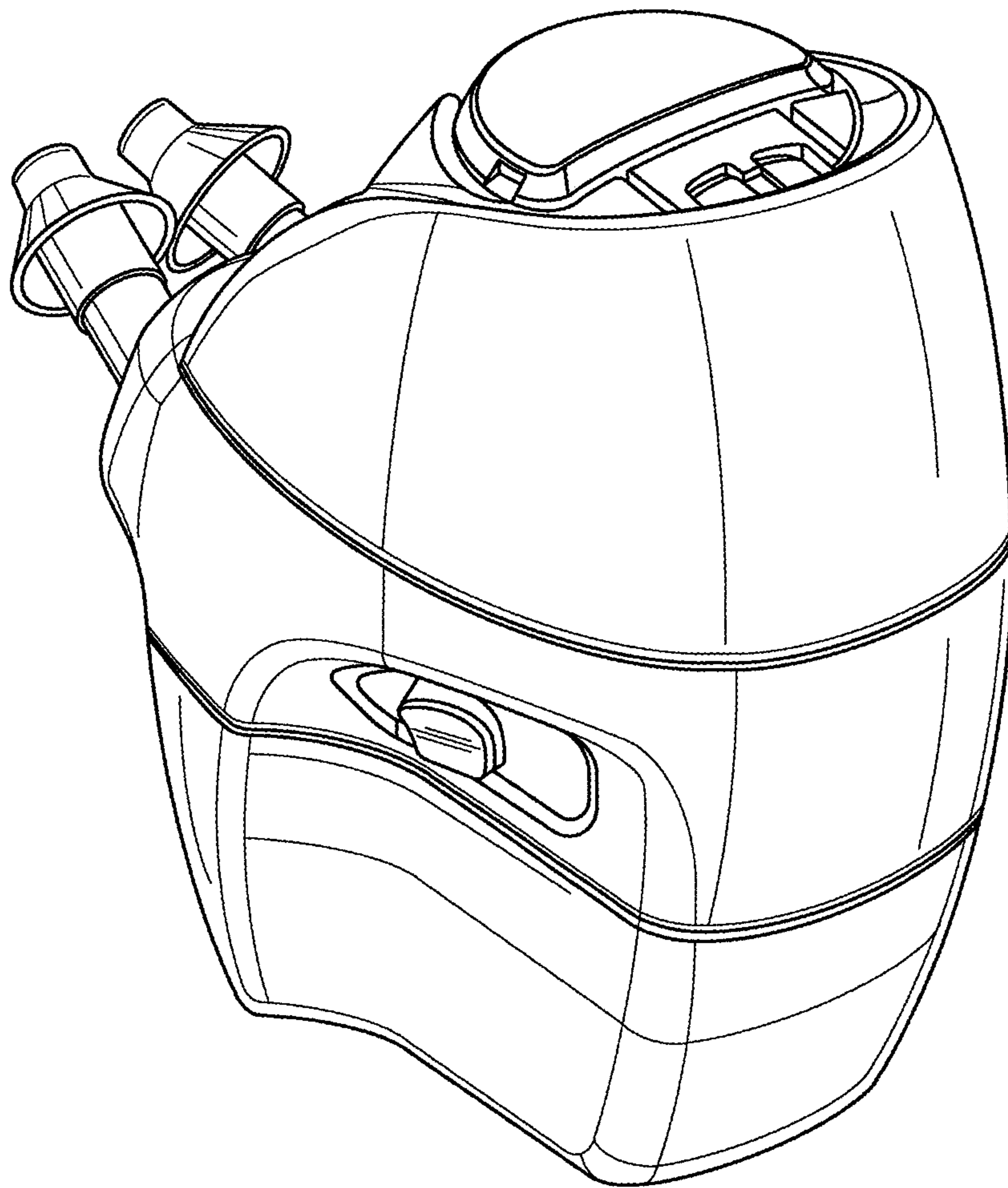


FIG. 8