



US00D776246S

(12) **United States Design Patent**
Licini

(10) **Patent No.:** **US D776,246 S**

(45) **Date of Patent:** **** Jan. 10, 2017**

(54) **DRAIN COVER FOR SHOWER RECEPTOR**

(71) Applicant: **Kohler Co.**, Kohler, WI (US)

(72) Inventor: **Frederic Licini**, L'Etang la Ville (FR)

(73) Assignee: **KOHLER CO.**, Kohler, WI (US)

(**) Term: **15 Years**

(21) Appl. No.: **29/527,952**

(22) Filed: **May 22, 2015**

(51) **LOC (10) Cl.** **23-01**

(52) **U.S. Cl.**
USPC **D23/261**

(58) **Field of Classification Search**

USPC D23/269, 259-261, 267-268, 273, 275,
D23/283, 303-305, 307; D25/119-125,
D25/136, 138, 164

CPC E04D 13/08; E04D 2013/0833; E04D
2013/082; E04D 2013/0866; E04D
2013/086; E03F 5/04; E03F 5/0408; E03F
1/003; E03C 1/264; E01C 11/223; E01C
11/227; A47J 47/20; A47K 1/14

See application file for complete search history.

(56) **References Cited**

U.S. PATENT DOCUMENTS

D249,005 S * 8/1978 Dezura D23/304
D266,131 S * 9/1982 Kelley D23/307
D532,877 S * 11/2006 Hisey D23/304
D563,528 S * 3/2008 Diamond D23/261
D587,346 S * 2/2009 Diamond D23/261

(Continued)

OTHER PUBLICATIONS

Stainless Steel Floor Drain: Ali Express website:<https://www.aliexpress.com/item/Wholesale-And-Retail-Creative-Design-Stainless-Steel-Floor-Drain-Bath-Square-Drainer-30-11cm/32672189014.html?spm=2114.40010308.4.96.VXNIIy> Found Aug. 16, 2016.*

(Continued)

Primary Examiner — Eric Goodman

Assistant Examiner — Amy Wierenga

(74) *Attorney, Agent, or Firm* — Foley & Lardner LLP

(57) **CLAIM**

I claim the ornamental design for a drain cover for shower receptor, as shown and described.

DESCRIPTION

FIG. 1 is a top, front, right perspective view of a first embodiment of the claimed design;

FIG. 2 is top plan view thereof;

FIG. 3 is a left elevation view thereof;

FIG. 4 is a right elevation view thereof;

FIG. 5 is a rear elevation view thereof;

FIG. 6 is a front elevation view thereof;

FIG. 7 is a top, front, right perspective view of a second embodiment of the claimed design.

FIG. 8 is top plan view thereof;

FIG. 9 is a left elevation view thereof;

FIG. 10 is a right elevation view thereof;

FIG. 11 is a rear elevation view thereof;

FIG. 12 is a front elevation view thereof;

FIG. 13 is a top, front, right perspective view of a third embodiment of the claimed design;

FIG. 14 is top plan view thereof;

FIG. 15 is a left elevation view thereof;

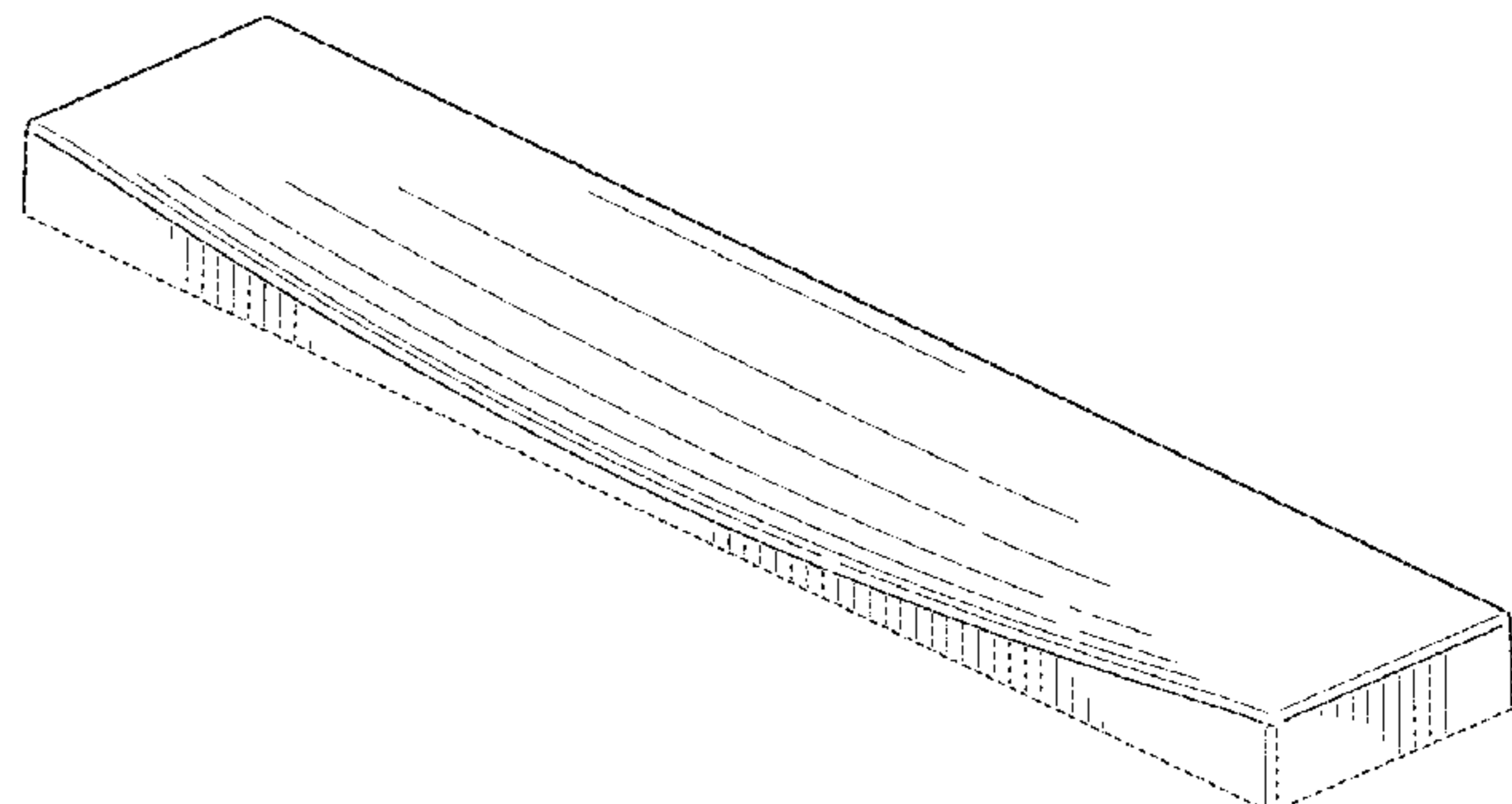
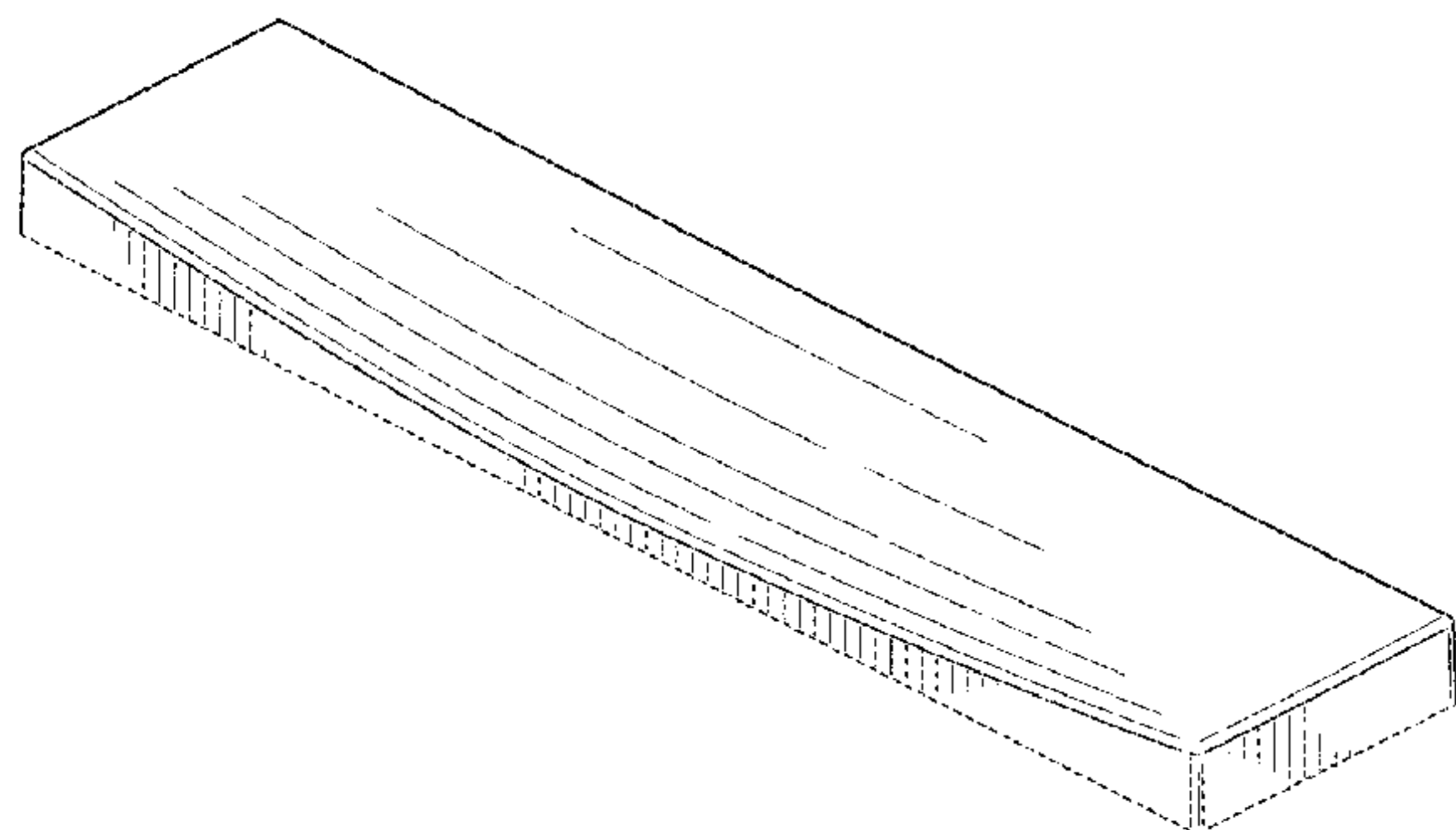
FIG. 16 is a right elevation view thereof;

FIG. 17 is a rear elevation view thereof; and,

FIG. 18 is a front elevation view thereof.

The ornamental design which is claimed is shown in solid lines in the drawings. The broken lines shown in the drawings depict portions of the article that form no part of the claim. Broken lines formed by equal length dashes show unclaimed subject matter. Broken lines formed of unequal length dashes (i.e., dash-dot) define bounds of the claimed design. Broken away symbols having a jagged element show that no particular length of the portion is claimed.

1 Claim, 8 Drawing Sheets



(56)

References Cited

U.S. PATENT DOCUMENTS

D644,339 S *	8/2011	Sutton	D25/121
8,239,974 B2 *	8/2012	Erlebach	E03F 5/04
			4/286
D672,850 S *	12/2012	Adams	D23/304
D687,524 S *	8/2013	Heiser	D23/261
D689,992 S *	9/2013	Vessels	D23/261
D693,911 S *	11/2013	Adams	D23/304
D694,863 S *	12/2013	Brodey	D23/261
D708,304 S *	7/2014	Brodey	D23/261
D722,139 S *	2/2015	Bernoti	D23/260
D758,556 S *	6/2016	Licini	D23/304

OTHER PUBLICATIONS

Kohler Bellwether® Aluminum drain cover; Kohler website: <http://www.us.kohler.com/us/Bellwether-aluminum-drain-cover-for-60-x-34-shower-base/productDetail/shower-bases/996245.htm> Found Aug. 16, 2016.*

* cited by examiner

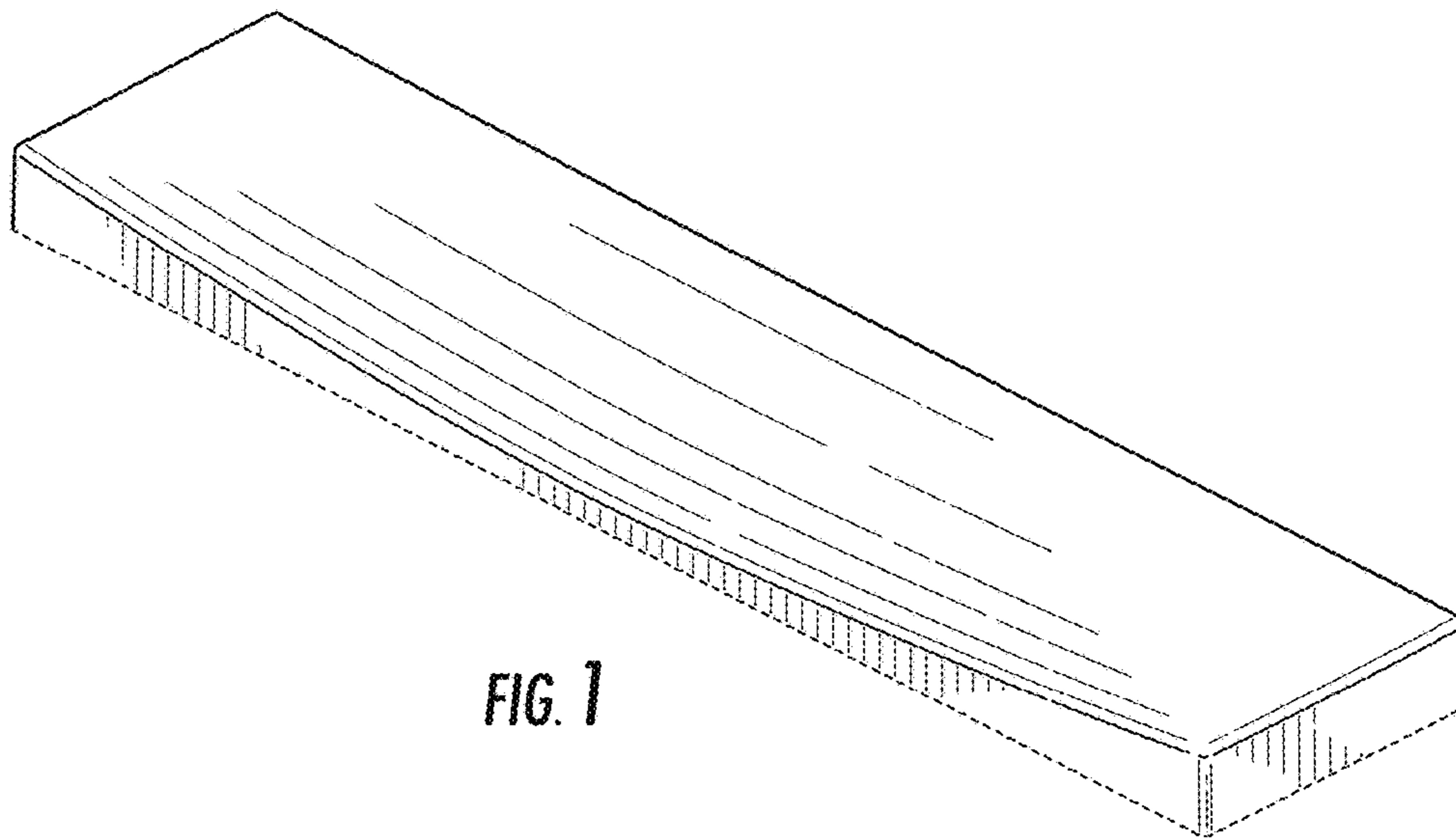


FIG. 1

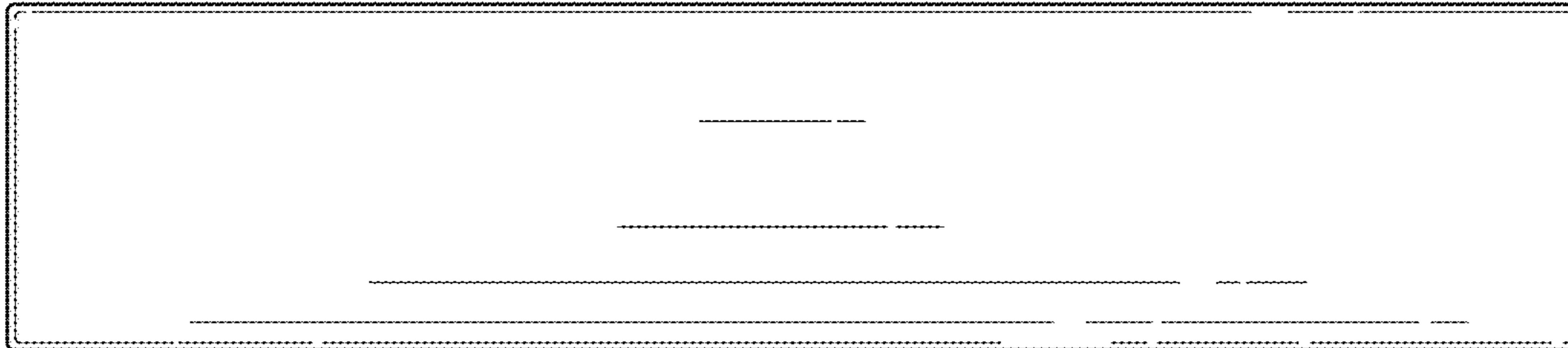


FIG. 2

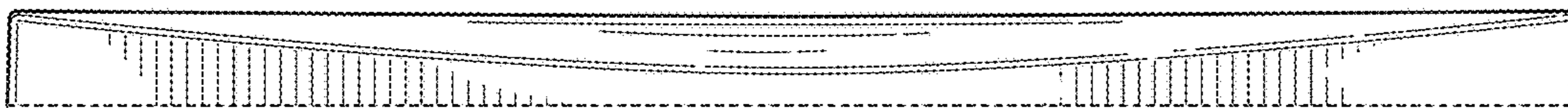


FIG. 3



FIG. 4

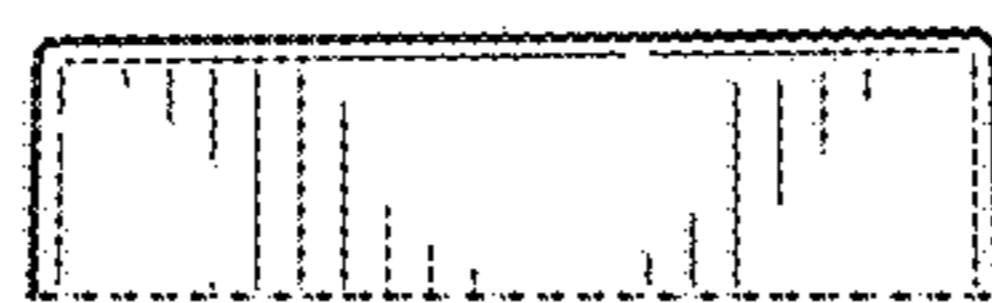


FIG. 5

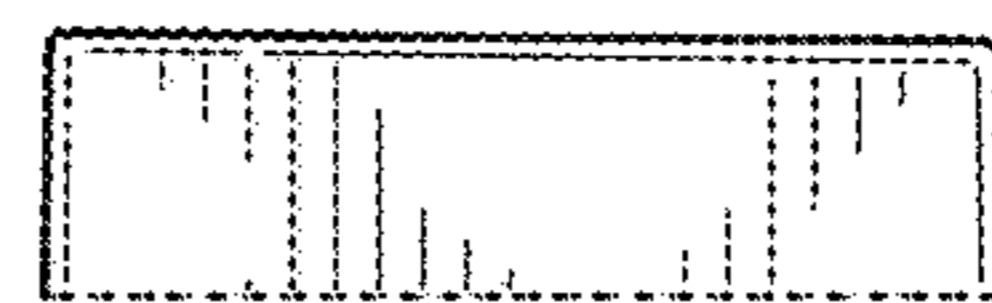


FIG. 6

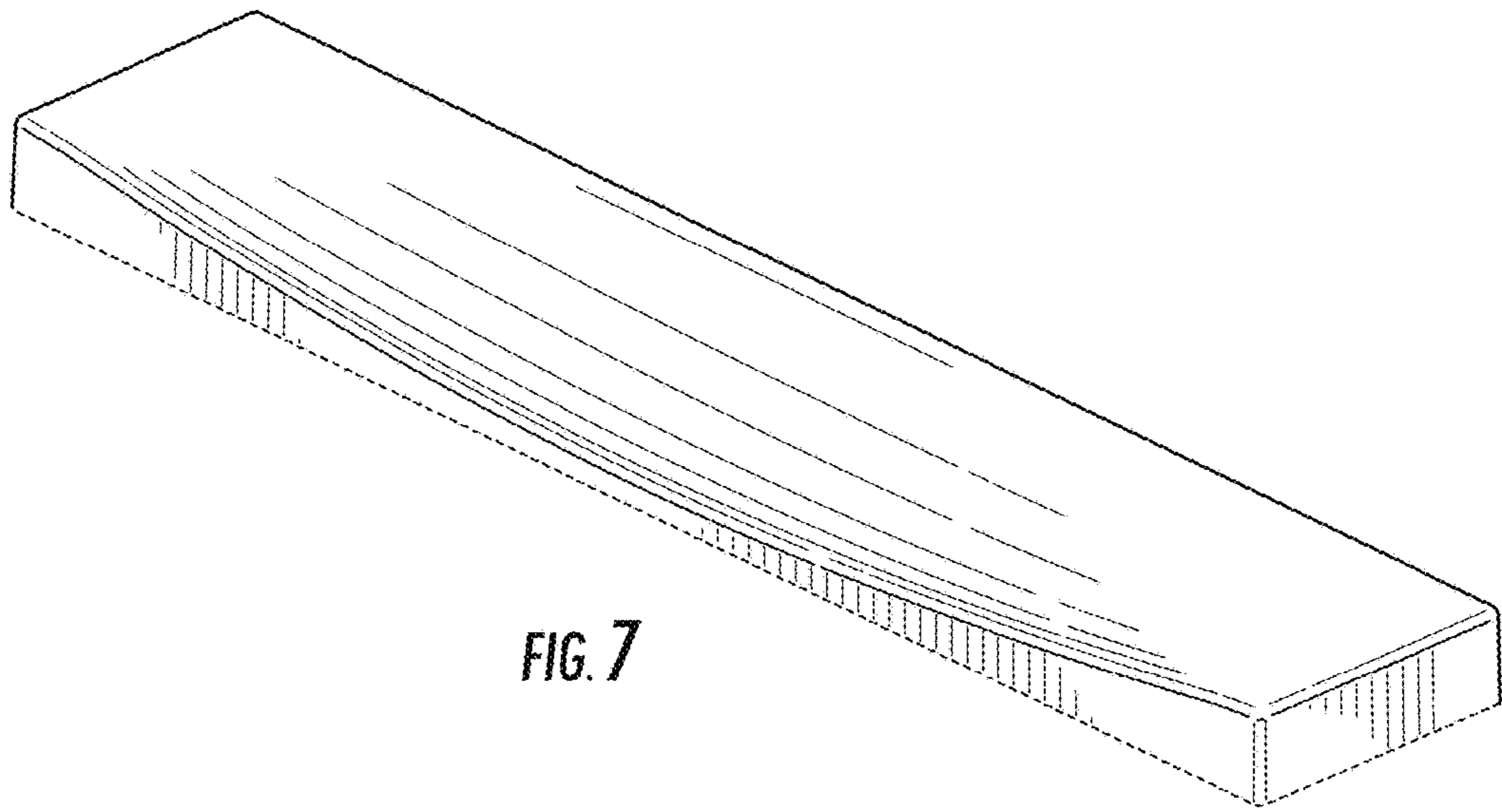


FIG. 7

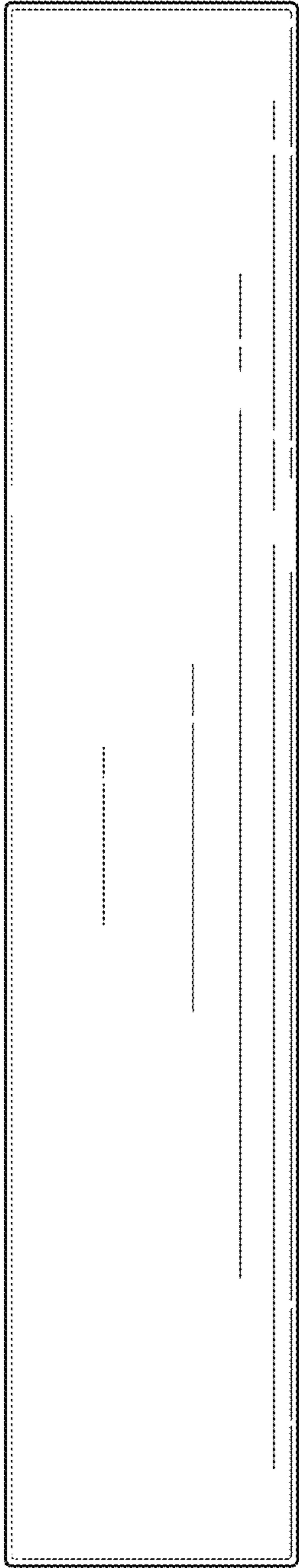


FIG. 8

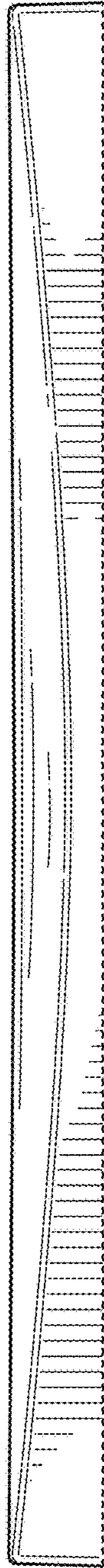


FIG. 9

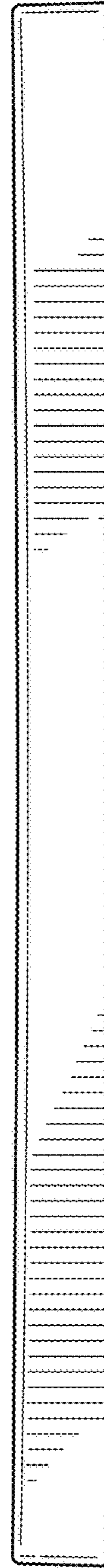


FIG. 10

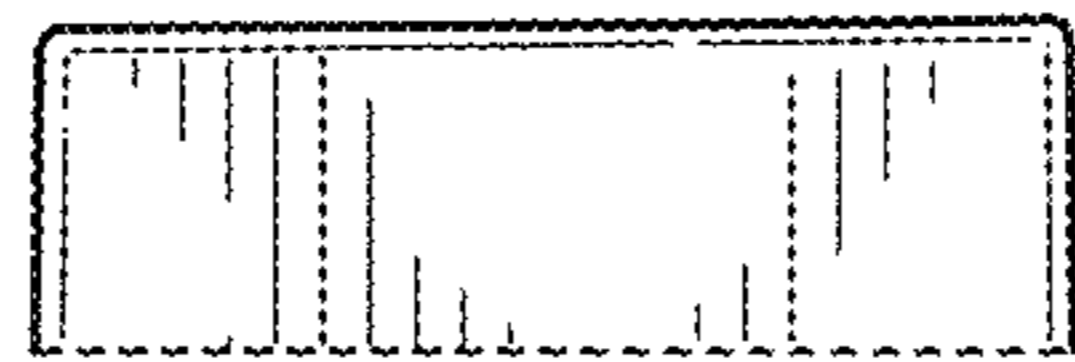


FIG. 11

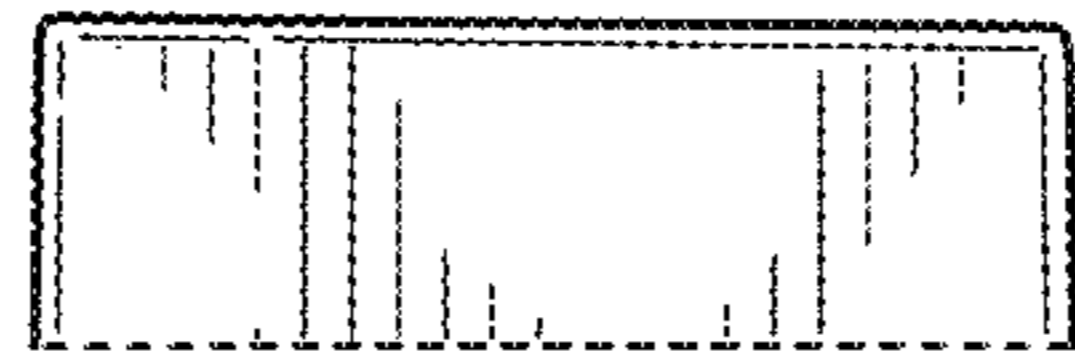


FIG. 12

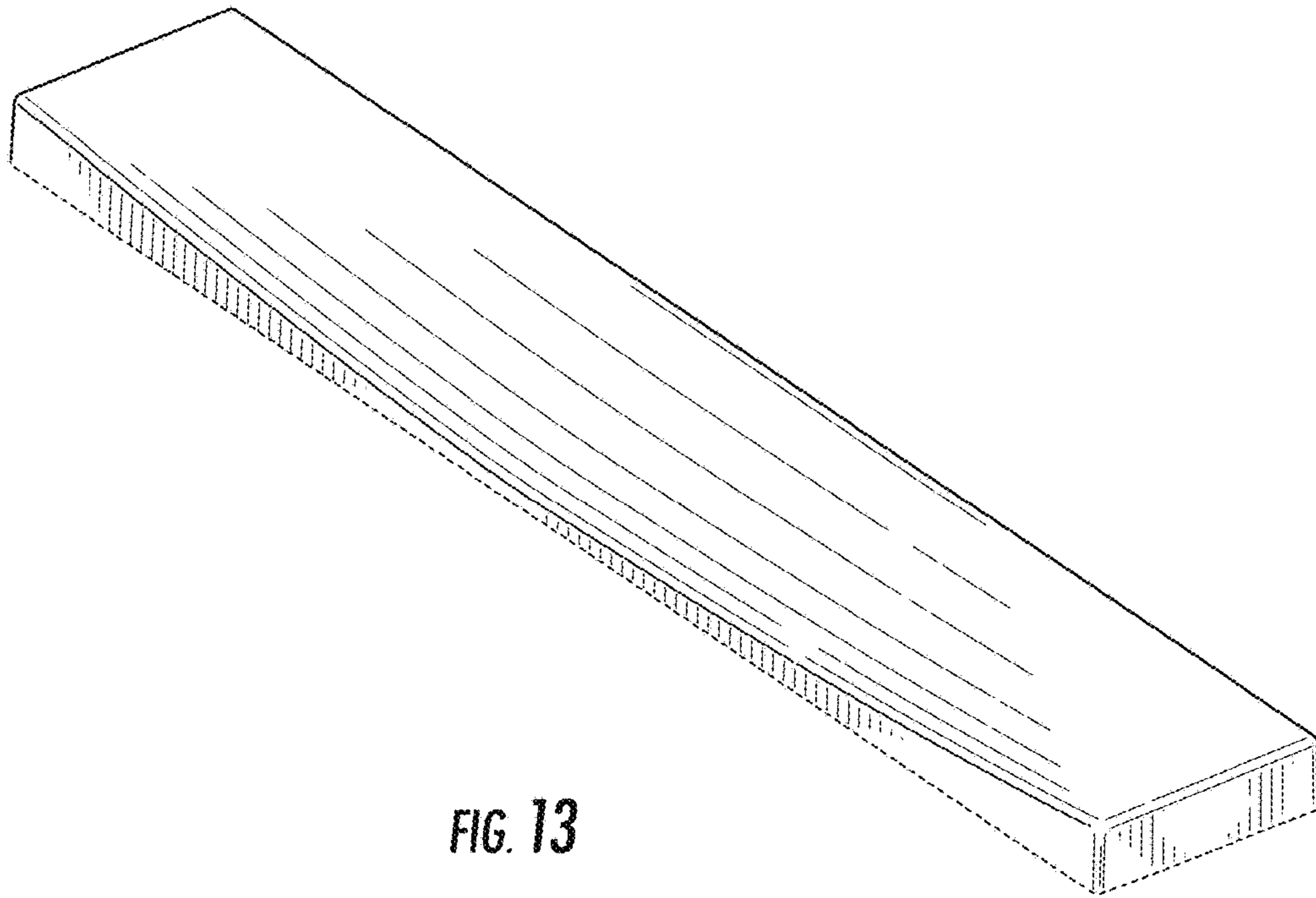


FIG. 13

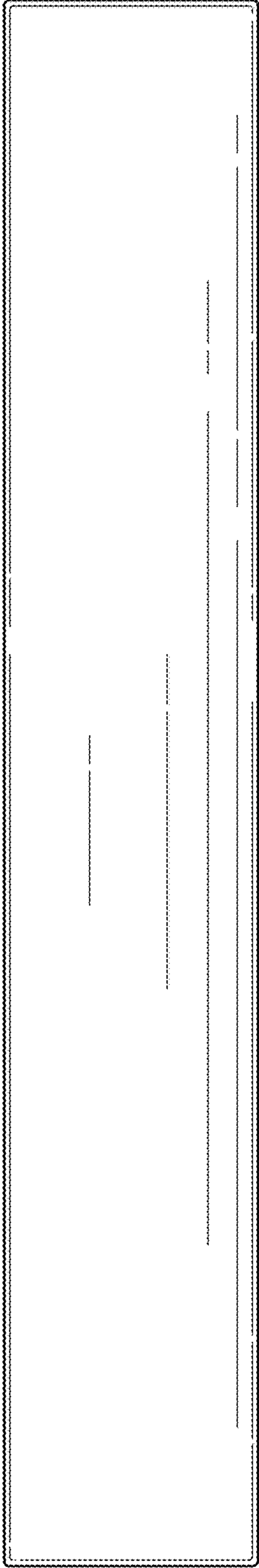


FIG. 14

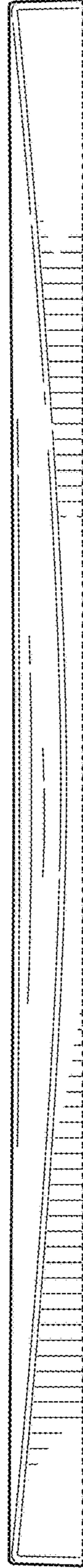


FIG. 15

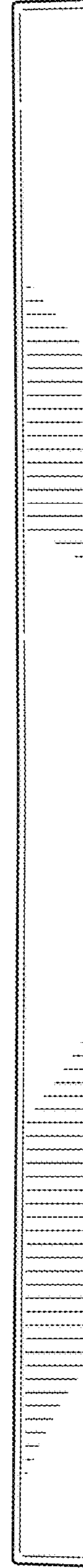


FIG. 16

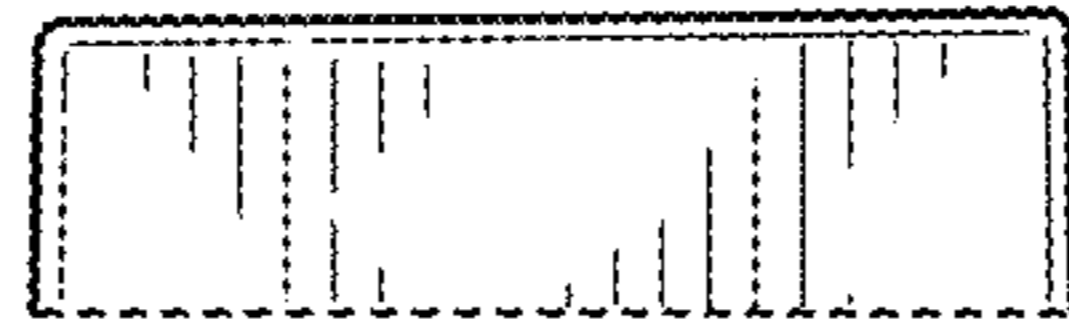


FIG. 17

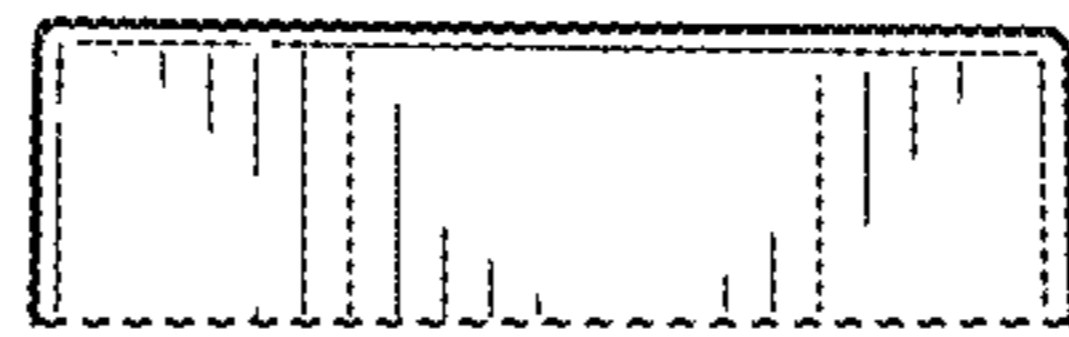


FIG. 18