



US00D776245S

(12) **United States Design Patent**
Yu

(10) **Patent No.:** **US D776,245 S**

(45) **Date of Patent:** **** Jan. 10, 2017**

(54) **TUBE FITTING**

(71) Applicant: **BITSPower INTERNATIONAL CO., LTD.**, Changhua County (TW)

(72) Inventor: **Vincent Yu**, Changhua (TW)

(73) Assignee: **BITSPower INTERNATIONAL CO., LTD.**, Changhua County (TW)

(**) Term: **14 Years**

(21) Appl. No.: **29/517,678**

(22) Filed: **Feb. 16, 2015**

(51) **LOC (10) Cl.** **23-01**

(52) **U.S. Cl.**
USPC **D23/259**

(58) **Field of Classification Search**
USPC . D23/259-263, 266, 268; D24/129; D8/382, D8/387; D13/155
CPC E03C 1/26; E03C 1/28; E03C 1/262; E03C 1/284; E03F 5/04; A61B 5/00; A61M 25/09016; F16L 19/028; F16L 19/041; F16L 21/08; F16L 37/252; F16L 41/007; F16B 7/0426; F16B 11/00; F16B 11/008
See application file for complete search history.

(56) **References Cited**

U.S. PATENT DOCUMENTS

D347,467 S * 5/1994 Medvick D23/262
D402,354 S * 12/1998 Strong D23/259

D435,090 S * 12/2000 Stout, Jr. D23/269
D539,117 S * 3/2007 Sealey D8/349
D703,794 S * 4/2014 Luke D23/262
D710,977 S * 8/2014 Chen D23/259
D713,512 S * 9/2014 Luke D23/262
D713,944 S * 9/2014 Luke D23/262
D718,121 S * 11/2014 Yu D8/382
D724,699 S * 3/2015 Wyne D23/259
D737,410 S * 8/2015 Wyne D23/259
D752,720 S * 3/2016 Wyne D23/259
D762,825 S * 8/2016 Walker D23/259

* cited by examiner

Primary Examiner — Eric Goodman

Assistant Examiner — Amy Wierenga

(74) *Attorney, Agent, or Firm* — Guice Patents PLLC

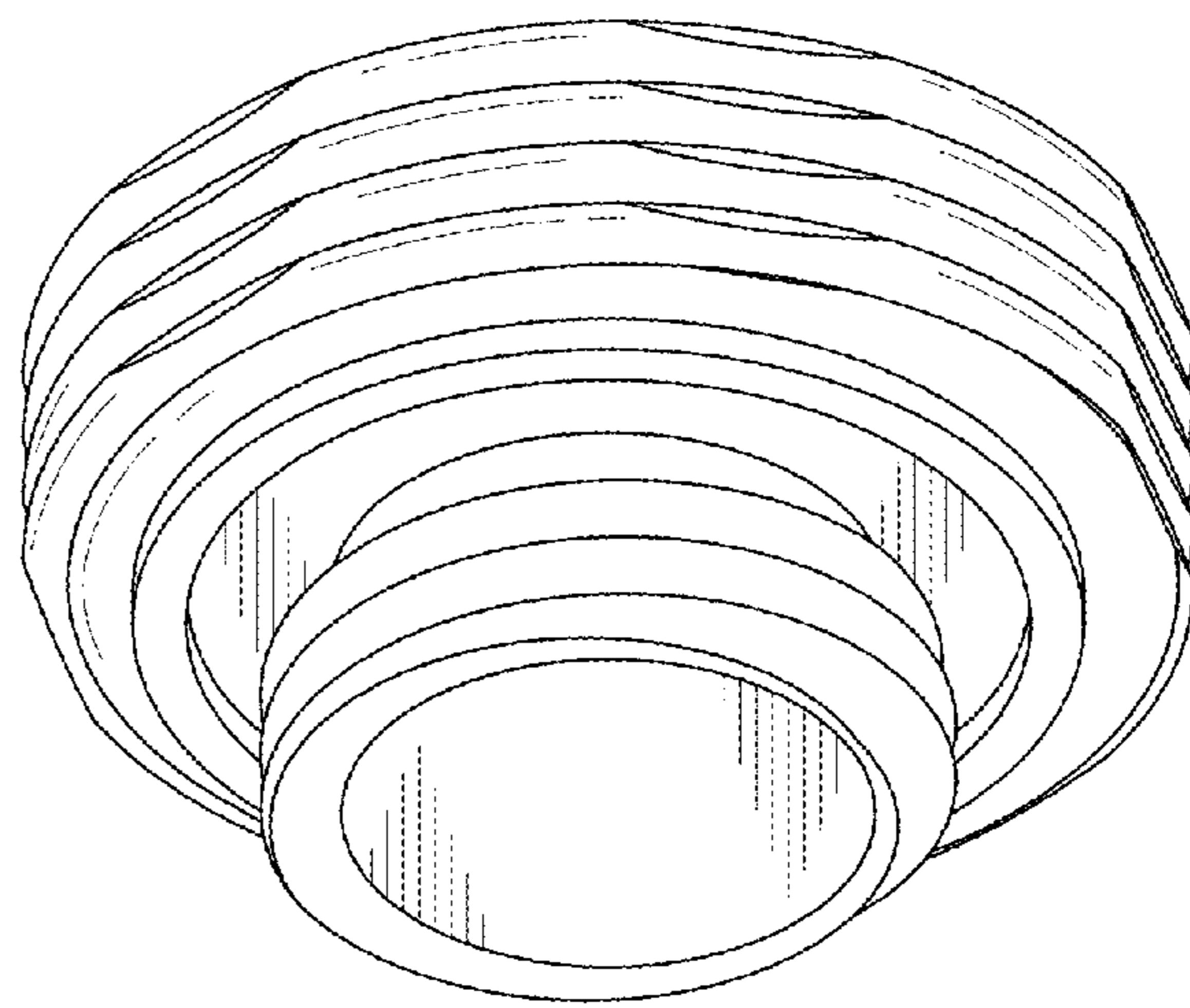
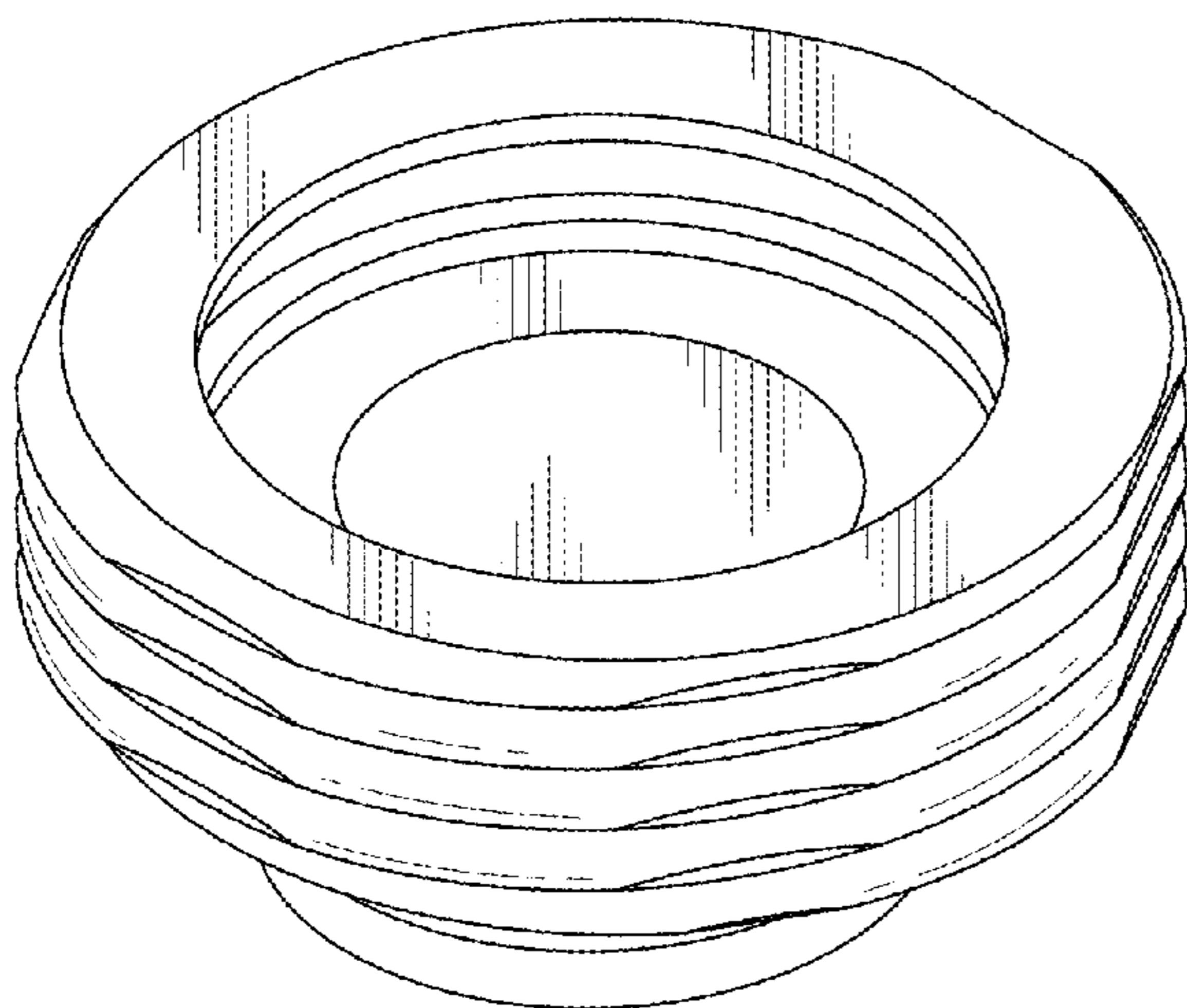
(57) **CLAIM**

The ornamental design for a tube fitting, as shown and described.

DESCRIPTION

FIG. 1 is a top side perspective view of a tube fitting illustrating my new design;
FIG. 2 is a front elevational view thereof;
FIG. 3 is a rear elevational view thereof;
FIG. 4 is a left side view thereof;
FIG. 5 is a right side view thereof;
FIG. 6 is a top plan view thereof;
FIG. 7 is a bottom plan view thereof;
FIG. 8 is a bottom side perspective view thereof; and,
FIG. 9 is a cross-sectional view thereof, taken along the line 9-9 shown in FIG. 6.

1 Claim, 6 Drawing Sheets



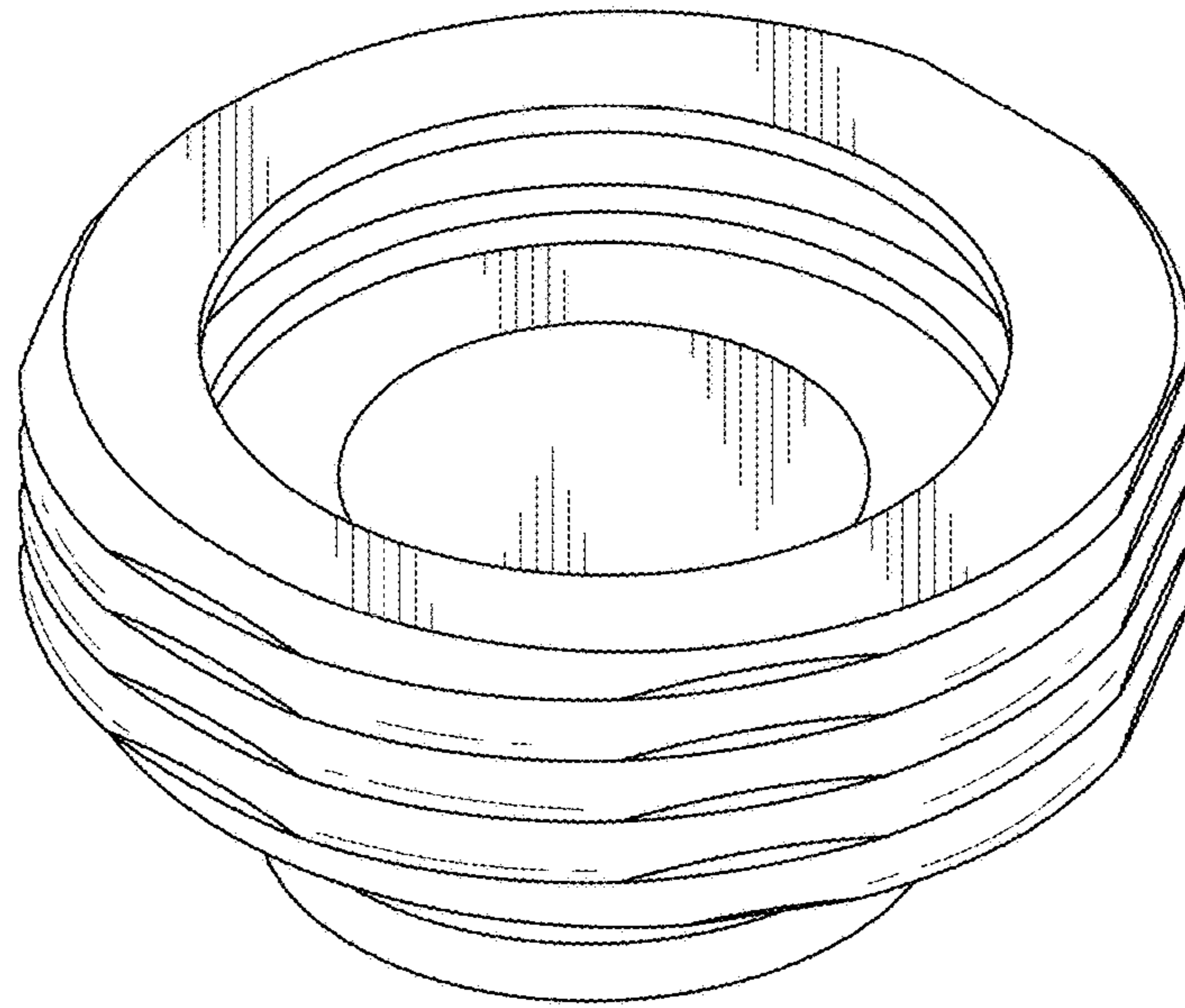


FIG.1

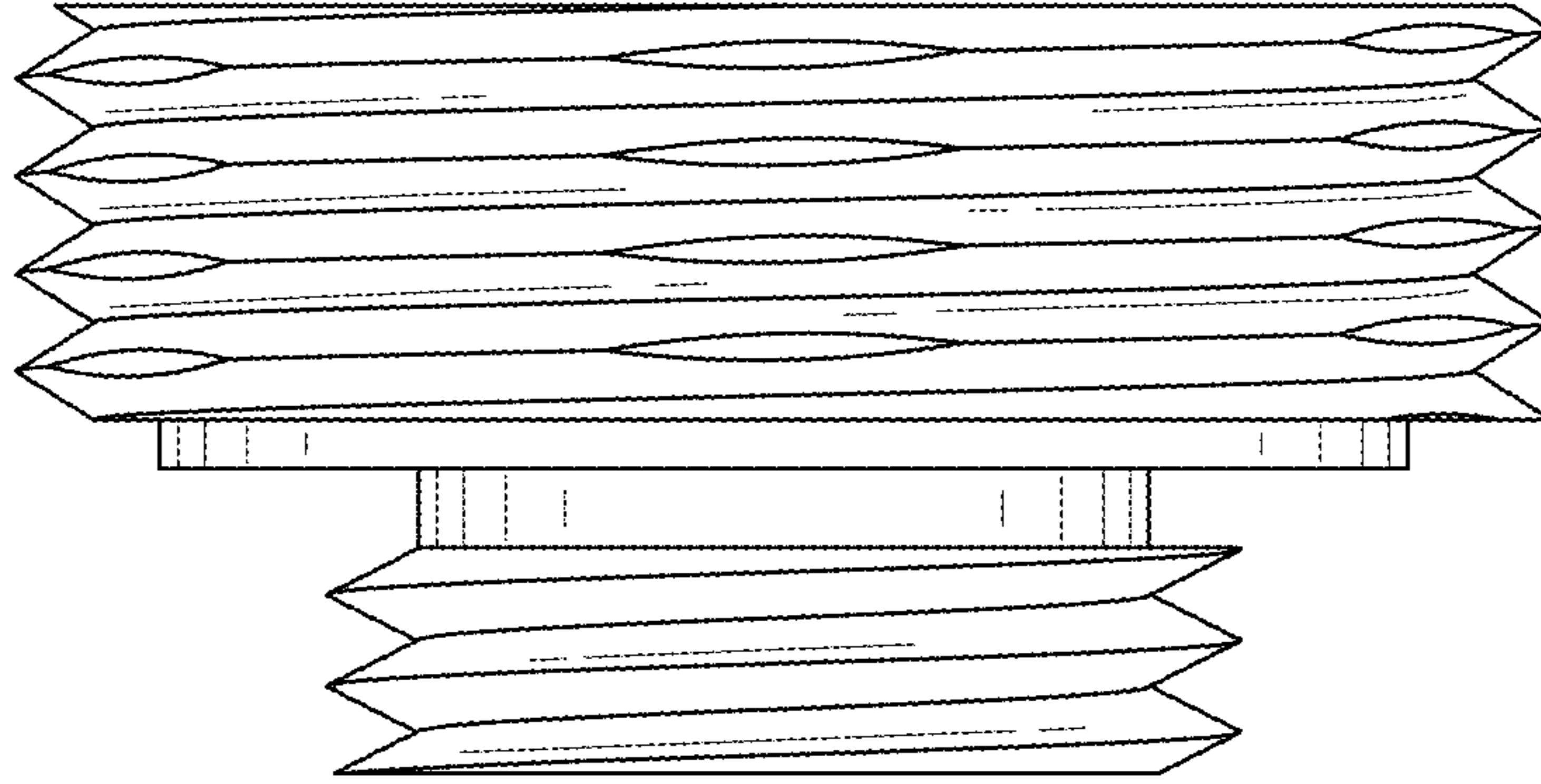


FIG. 2

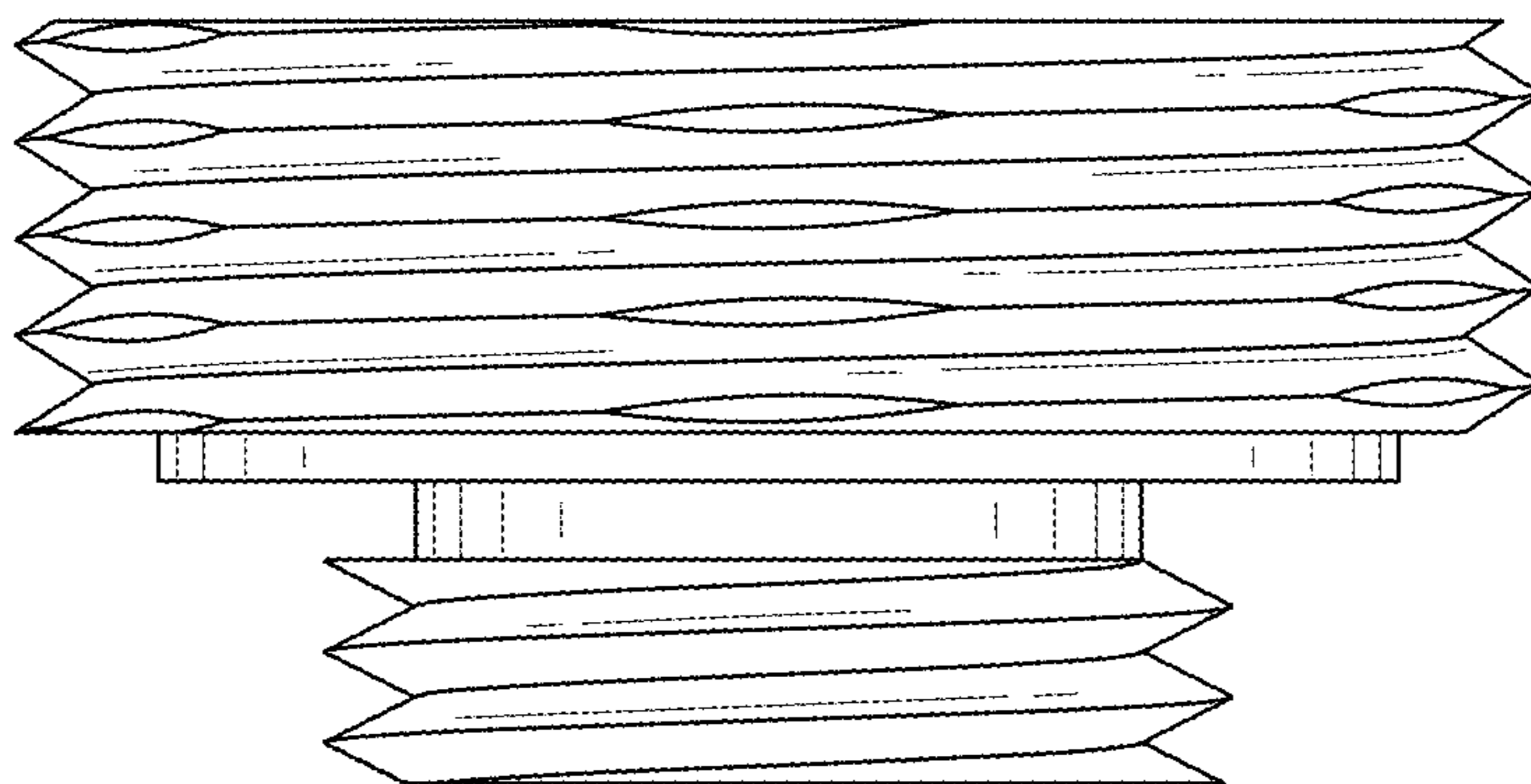


FIG. 3

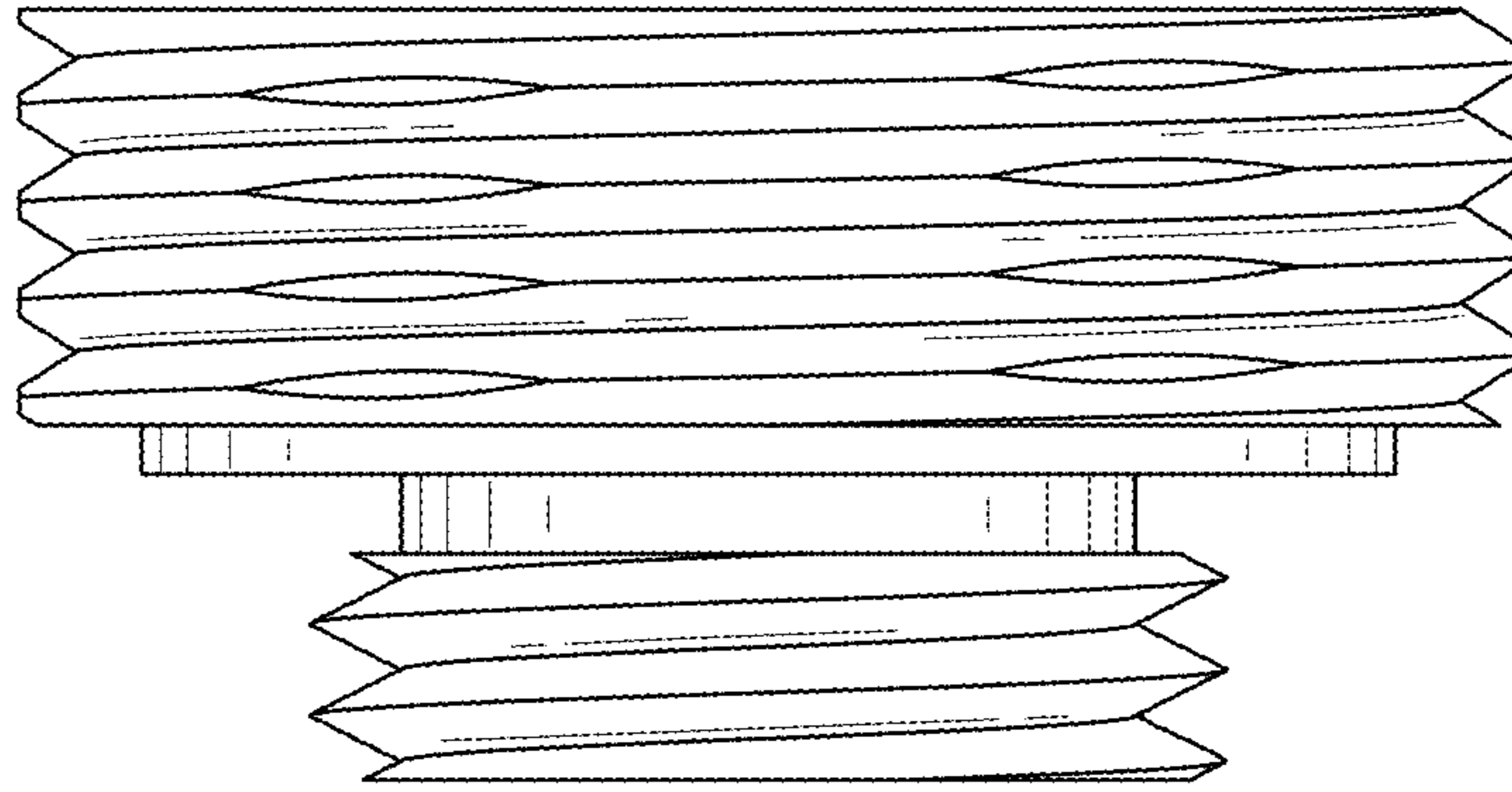


FIG. 4

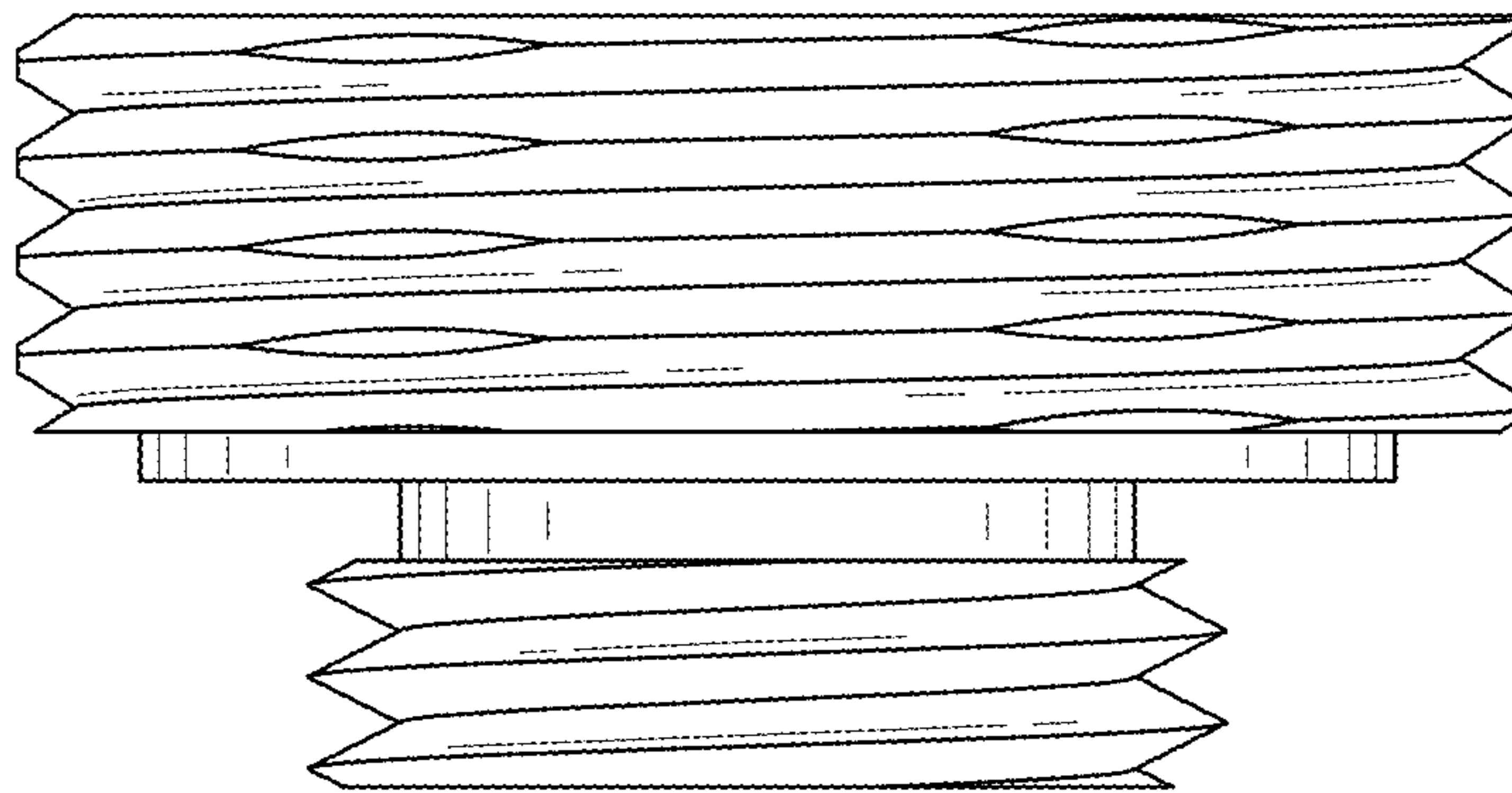


FIG. 5

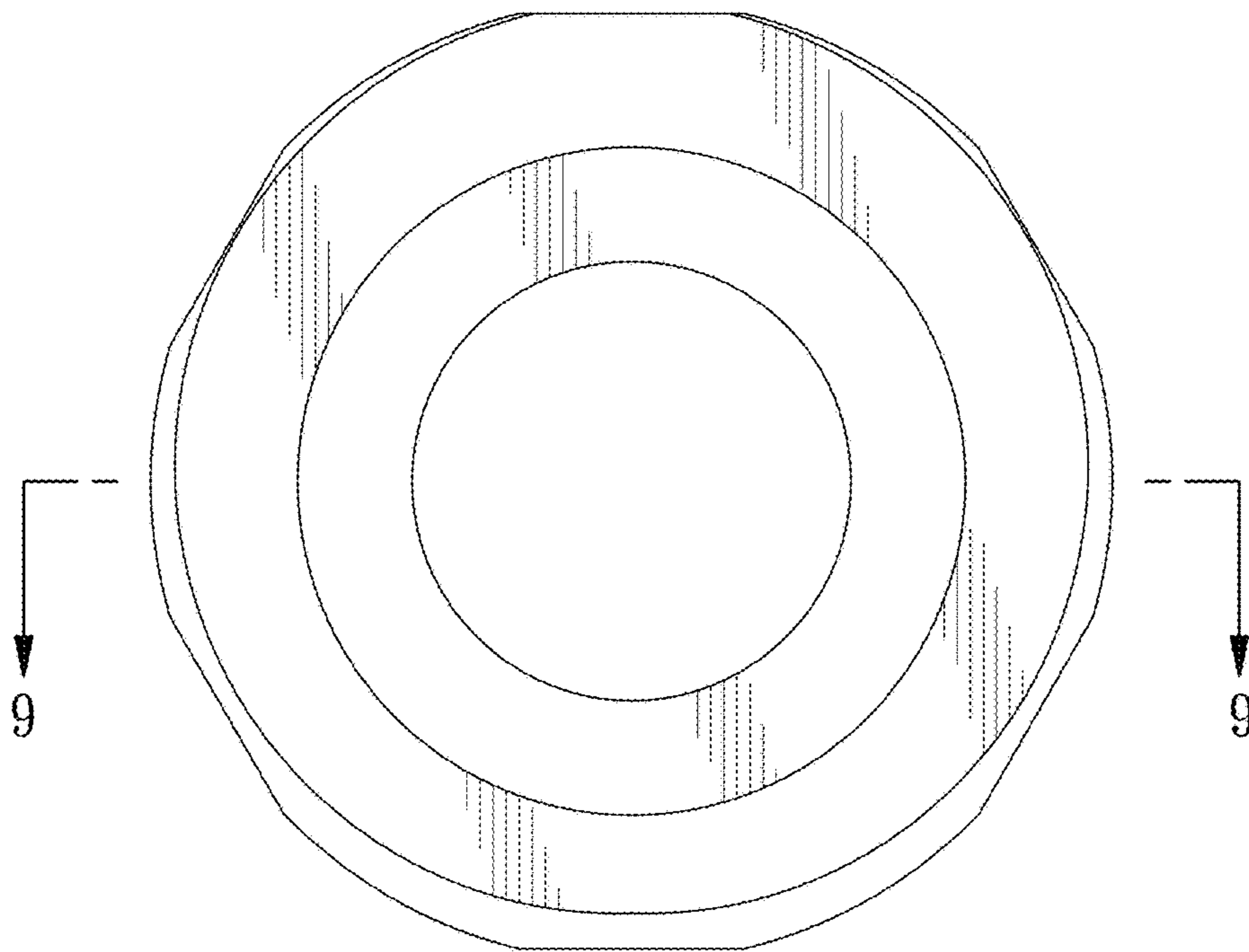


FIG. 6

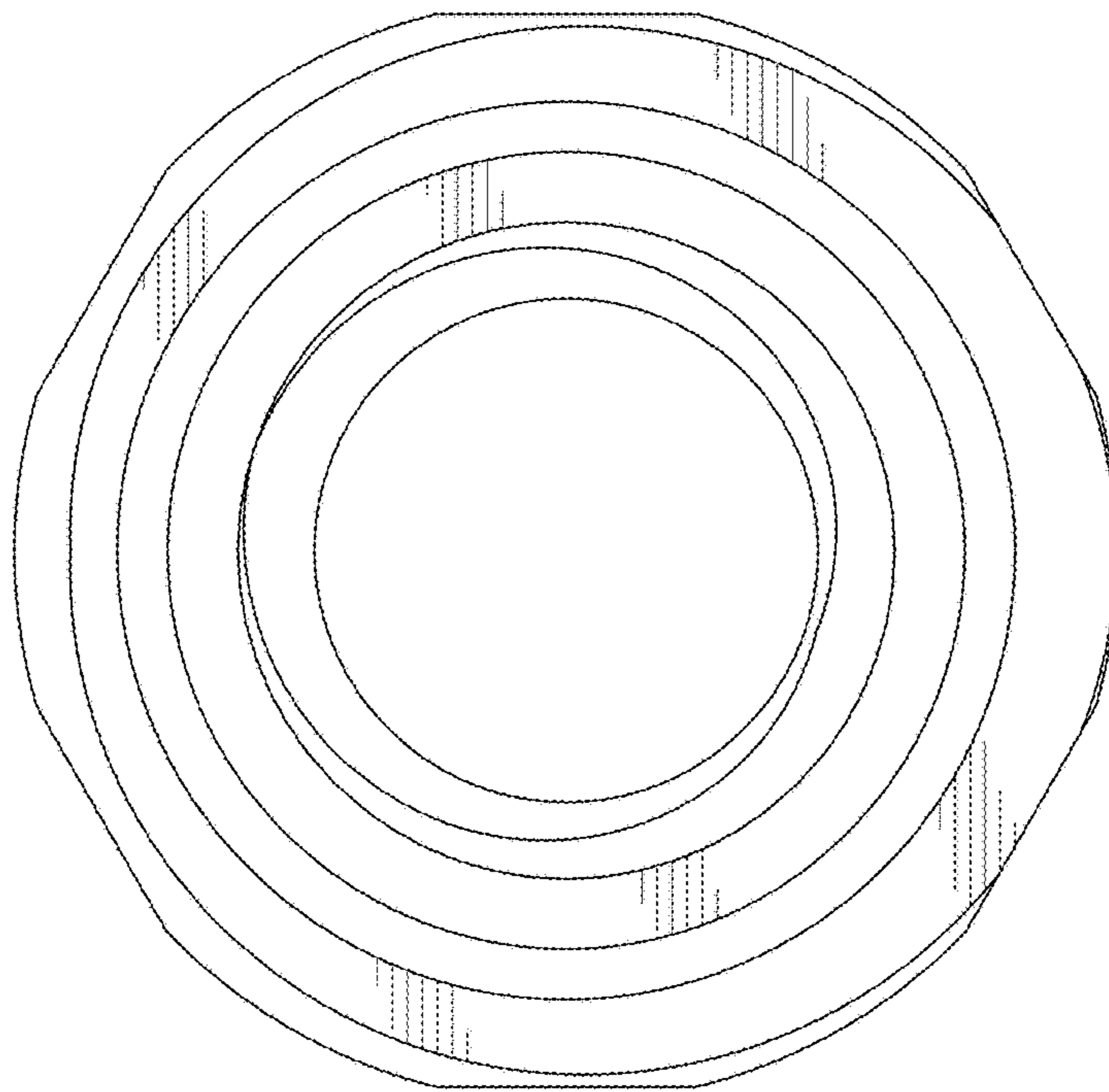


FIG. 7

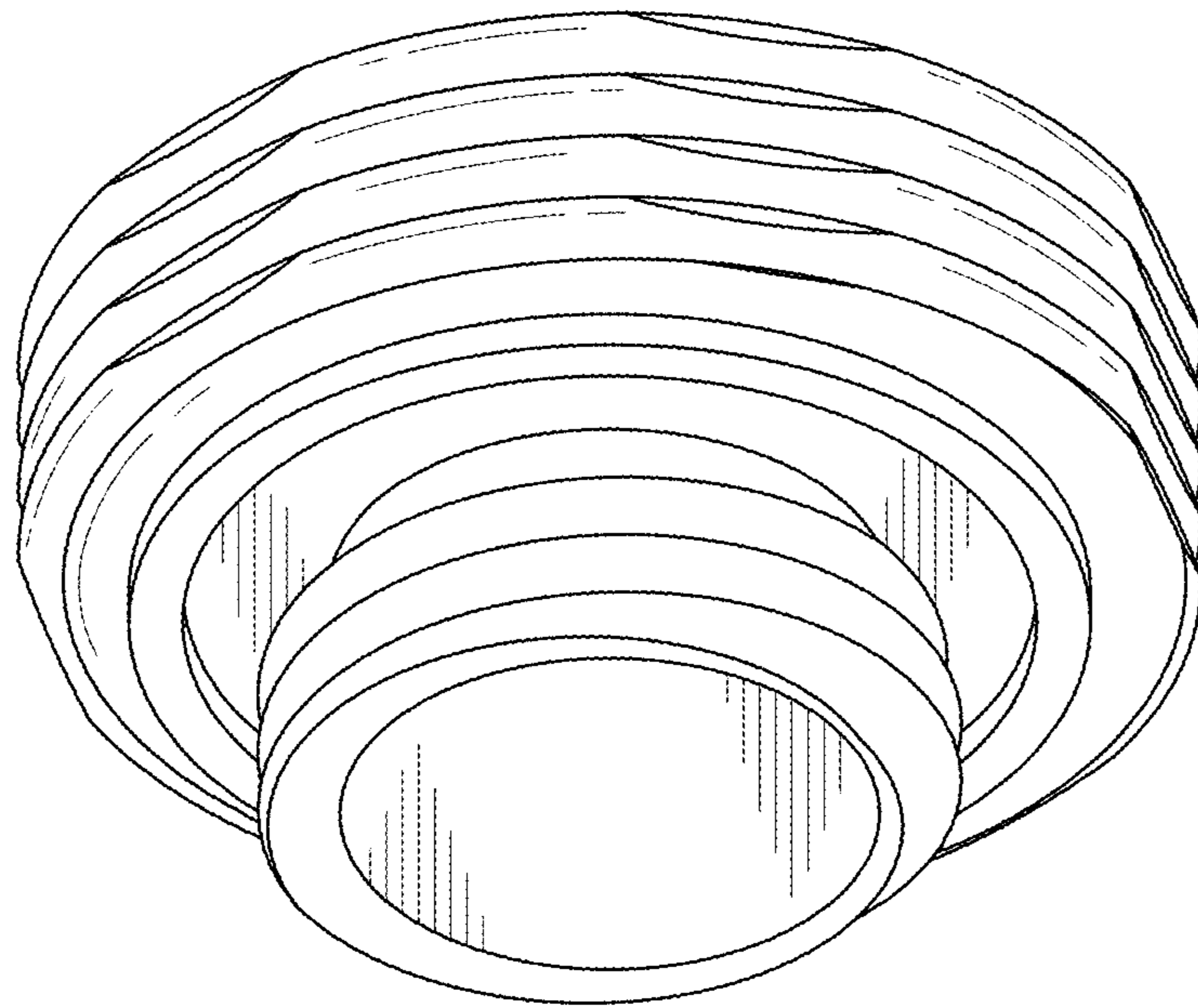


FIG.8

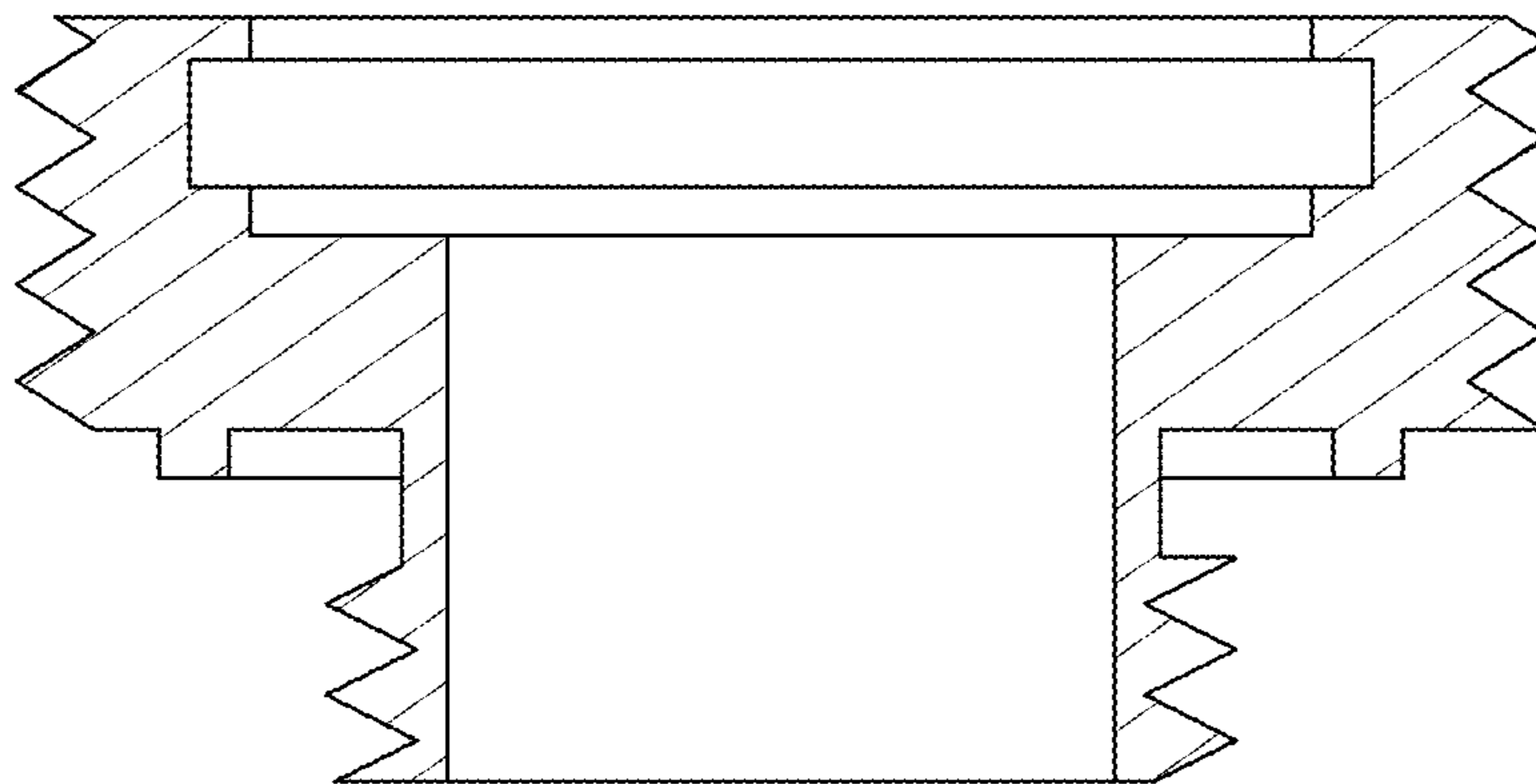


FIG.9