



US00D776244S

(12) **United States Design Patent**
Krombein

(10) **Patent No.:** **US D776,244 S**

(45) **Date of Patent:** **** Jan. 10, 2017**

(54) **POOL RETURN FITTING HOUSING**

(71) Applicant: **Todd Krombein**, Phoenix, AZ (US)

(72) Inventor: **Todd Krombein**, Phoenix, AZ (US)

(**) Term: **14 Years**

(21) Appl. No.: **29/513,124**

(22) Filed: **Dec. 26, 2014**

(51) **LOC (10) Cl.** **23-01**

(52) **U.S. Cl.**

USPC **D23/259**

(58) **Field of Classification Search**

USPC D23/259–263, 266–269, 233, 249; 251/215,
D23/216; 285/369, 372, 373, 417,
285/133.11, 133.3, 133.21, 133.4, 133.5,
285/133.6; D8/350, 353, 397
CPC F16L 11/00; F16L 37/252; F16L 41/007;
E03C 1/26; E03C 1/262; E03C
1/28; E03F 5/04; A61B 5/00; A61M
25/09016

See application file for complete search history.

(56) **References Cited**

U.S. PATENT DOCUMENTS

392,731	A *	11/1888	Howes	E01B 11/36 238/260
D59,942	S *	12/1921	Tulloch	D23/263
D182,305	S *	3/1958	Russell	D8/353
3,197,242	A *	7/1965	Milette	F16L 37/10 277/623
D202,043	S *	8/1965	Cox	D8/353
3,221,790	A *	12/1965	Poupitch	F16B 39/34 411/301
D219,907	S *	2/1971	Breed	D8/397
D228,061	S *	8/1973	Kartarik	D8/350
4,438,991	A *	3/1984	Lundgren	F16C 35/042 384/537
D284,687	S *	7/1986	Doman	D23/249
D287,491	S *	12/1986	Brown	D14/151
D300,238	S *	3/1989	Kohler, Jr.	D23/249

(Continued)

Primary Examiner — Sandra Snapp

(74) *Attorney, Agent, or Firm* — Knobbe, Martens, Olson & Bear, LLP

(57) **CLAIM**

The ornamental design for the pool return fitting housing, as shown and described.

DESCRIPTION

FIG. 1 is a front perspective view of a first embodiment of the pool return fitting housing.

FIG. 2 is a rear perspective view of the pool return fitting housing in FIG. 1.

FIG. 3 is a front view of the pool return fitting housing in FIG. 1.

FIG. 4 is a rear view of the pool return fitting housing in FIG. 1.

FIG. 5 is a top view of the pool return fitting housing in FIG. 1. The bottom view is a mirror image of the top view.

FIG. 6 is a left side view of the pool return fitting housing in FIG. 1. The right side view is a mirror image of the left side view.

FIG. 7 is a front perspective view of a second embodiment of the pool return fitting housing.

FIG. 8 is a rear perspective view of the pool return fitting housing in FIG. 7.

FIG. 9 is a front view of the pool return fitting housing in FIG. 7.

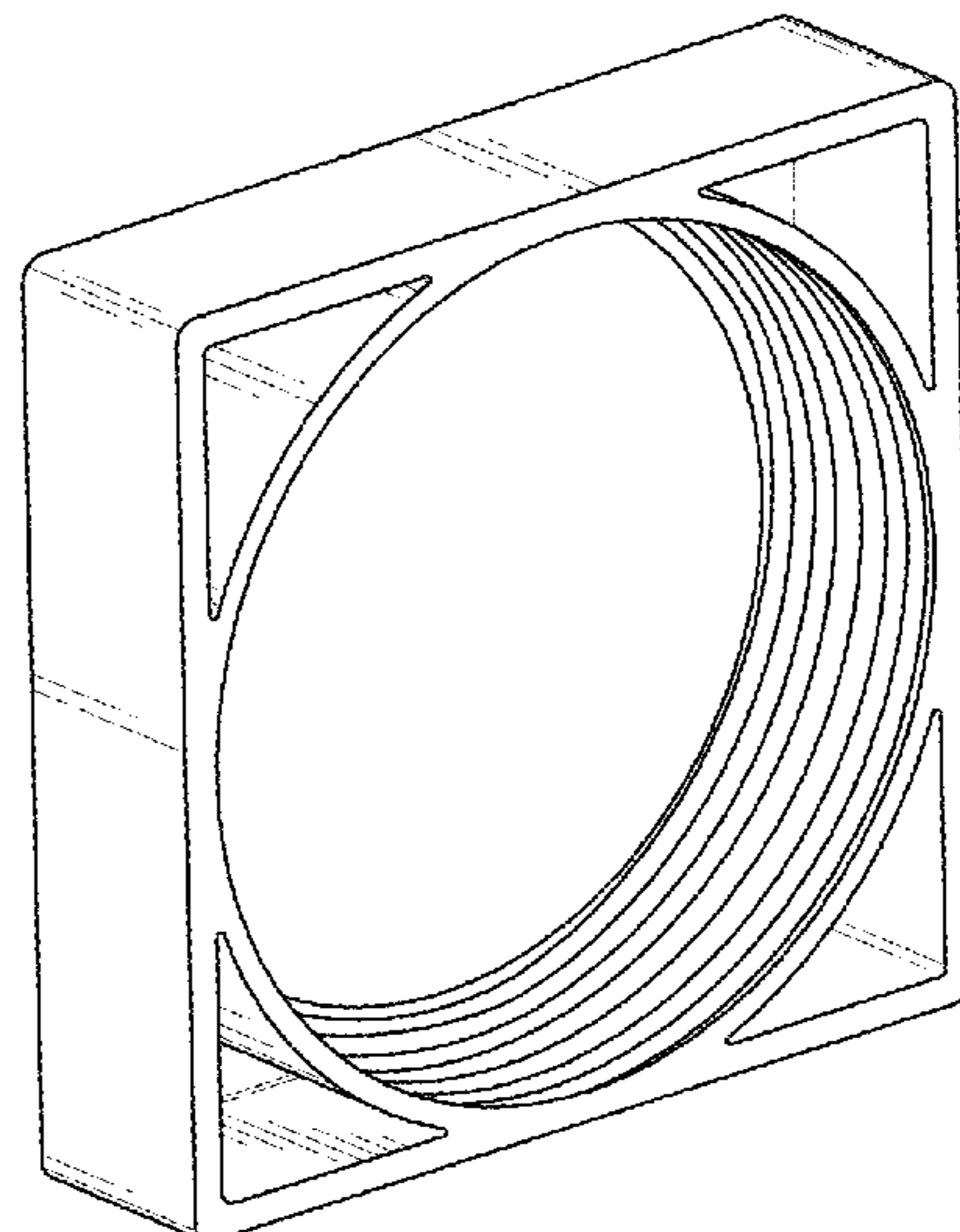
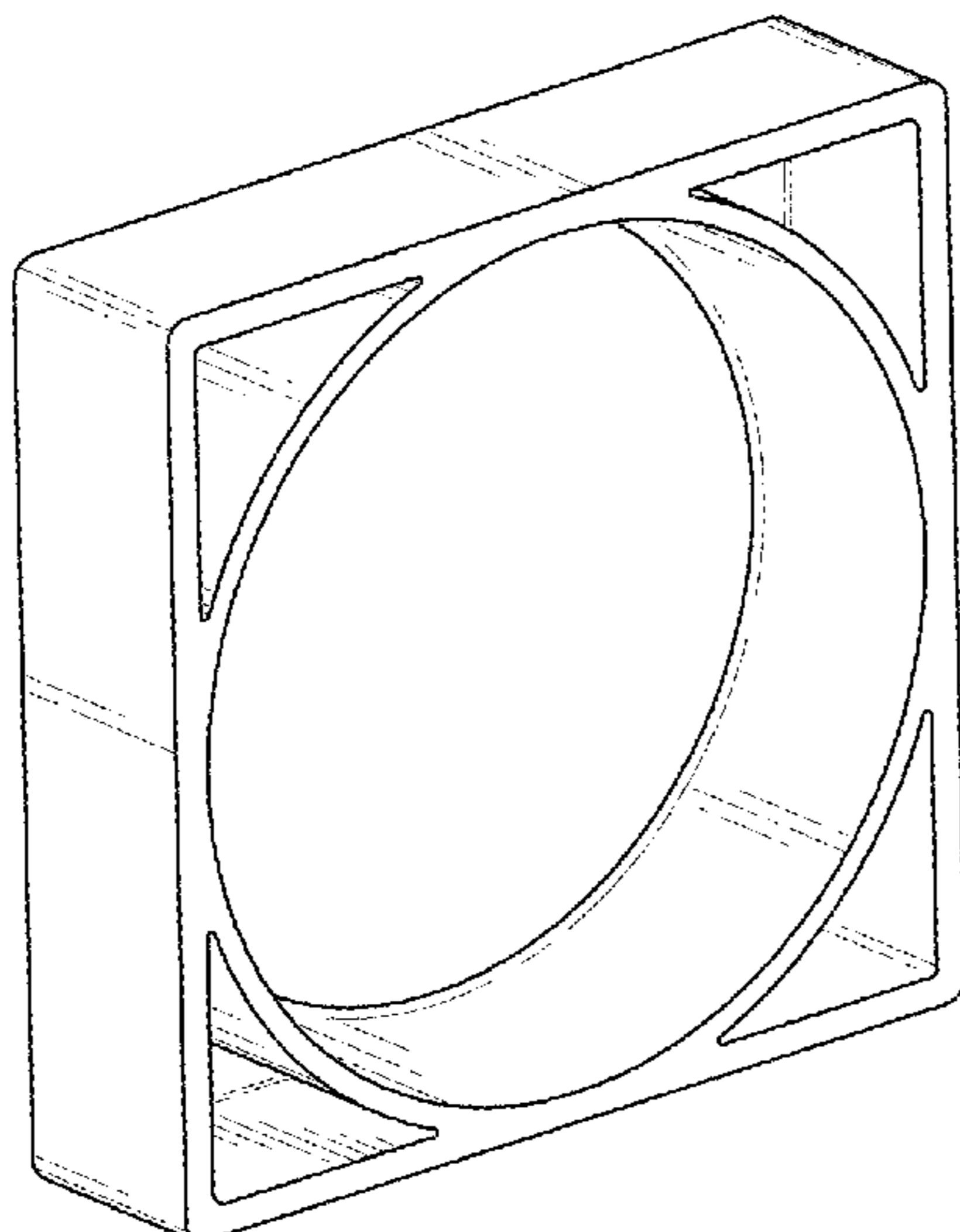
FIG. 10 is a rear view of the pool return fitting housing in FIG. 7.

FIG. 11 is a top view of the pool return fitting housing in FIG. 7. The bottom view is a mirror image of the top view; and,

FIG. 12 is a left side view of the pool return fitting housing in FIG. 7. The right side view is a mirror image of the left side view.

The broken lines are for illustrative purposes only and form no part of the claimed design.

1 Claim, 4 Drawing Sheets



(56)

References Cited

U.S. PATENT DOCUMENTS

D303,566 S * 9/1989 Kohler, Jr. D23/249
4,874,192 A * 10/1989 Key F16L 21/04
285/337
D340,718 S * 10/1993 Leger D14/224
D358,469 S * 5/1995 Mongeon D23/262
D367,002 S * 2/1996 Grey D8/397
D371,138 S * 6/1996 Waskiewicz 384/428
D442,197 S * 5/2001 Willet D15/143
D488,270 S * 4/2004 Biere D32/25
D511,805 S * 11/2005 Otero D23/249
D532,684 S * 11/2006 Barnes D8/397
D551,960 S * 10/2007 Shinjo D8/397
D568,445 S * 5/2008 Tsai D23/249
D601,666 S * 10/2009 Tsai D23/249
D606,185 S * 12/2009 Wefler D23/366
D609,782 S * 2/2010 Whatley D23/249
D674,019 S * 1/2013 Kostick D19/69
D697,385 S * 1/2014 Roberts, III D8/301
8,757,667 B2 * 6/2014 Marquis-Martin E03F 5/106
137/577.5
D718,136 S * 11/2014 Harrity D9/499
D729,355 S * 5/2015 Kieper D23/262
D737,406 S * 8/2015 Waggoner D23/233
D749,705 S * 2/2016 Krombein D23/259
D759,980 S * 6/2016 Toth D6/300
2007/0216162 A1 * 9/2007 Ennin F16L 23/0286
285/406

* cited by examiner

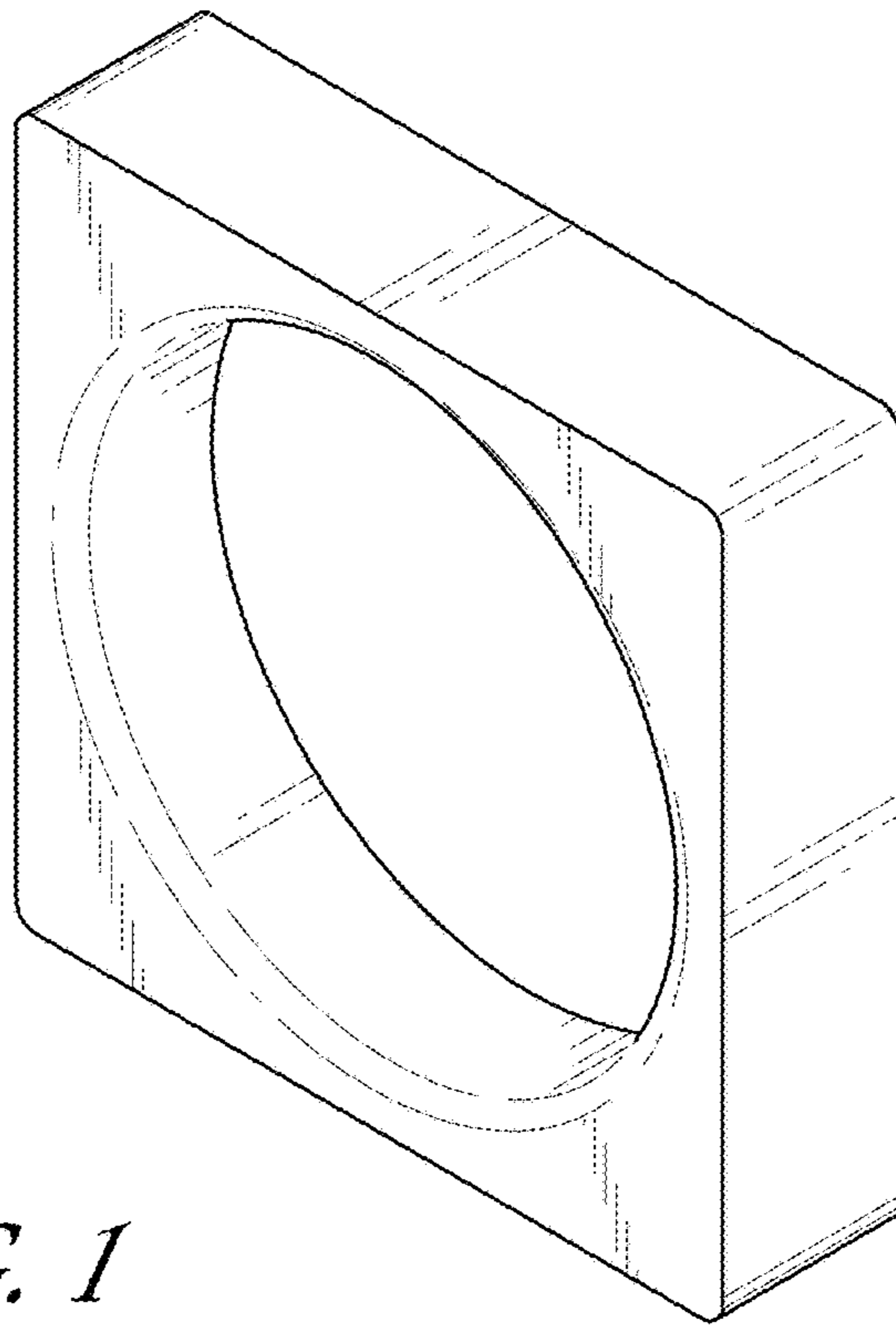


FIG. 1

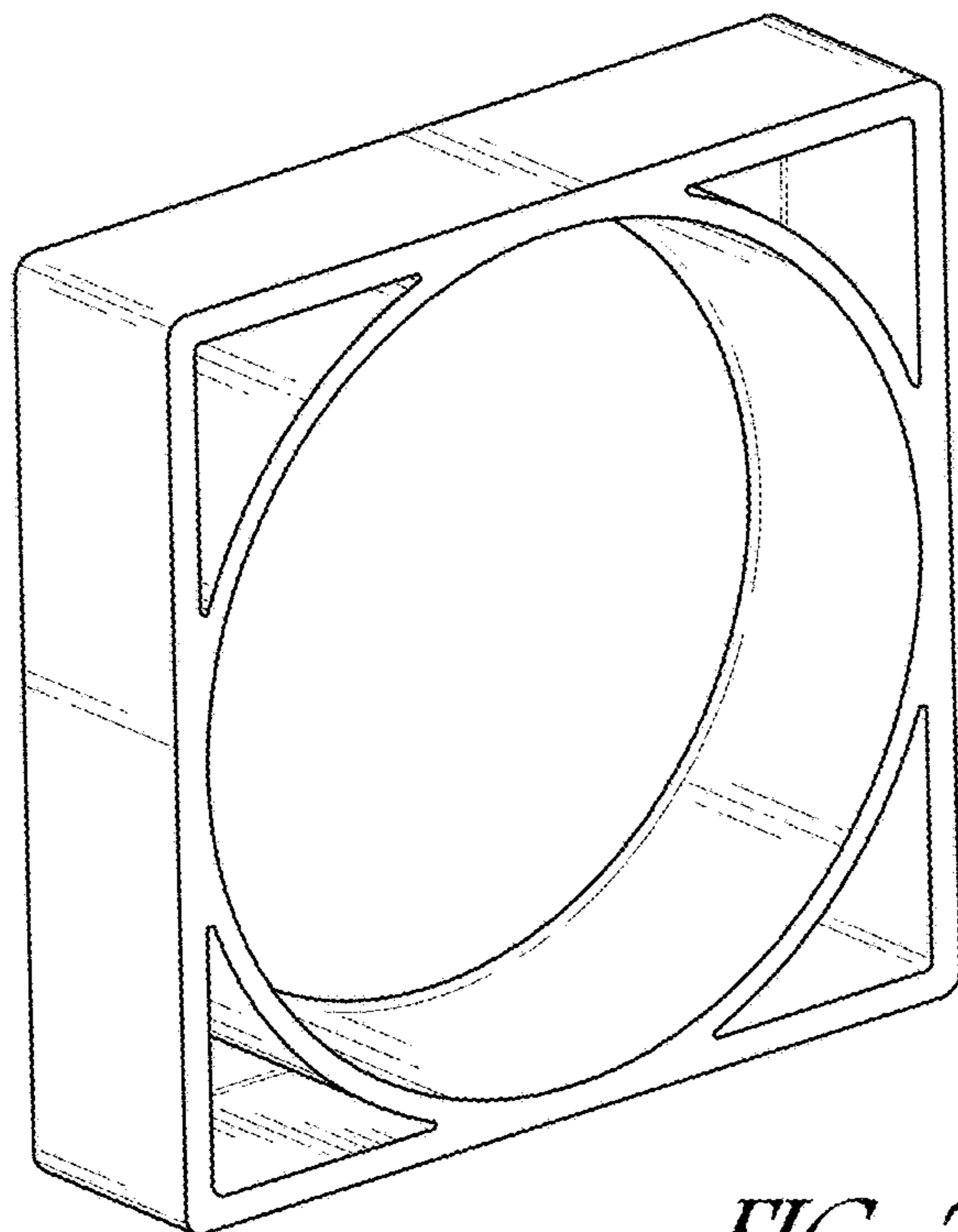


FIG. 2

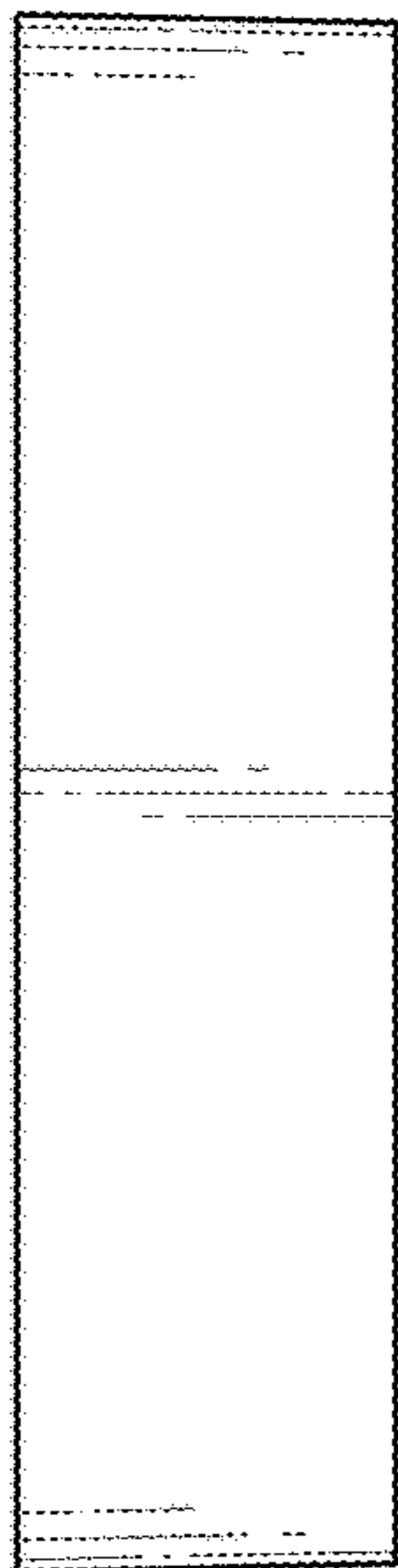


FIG. 5

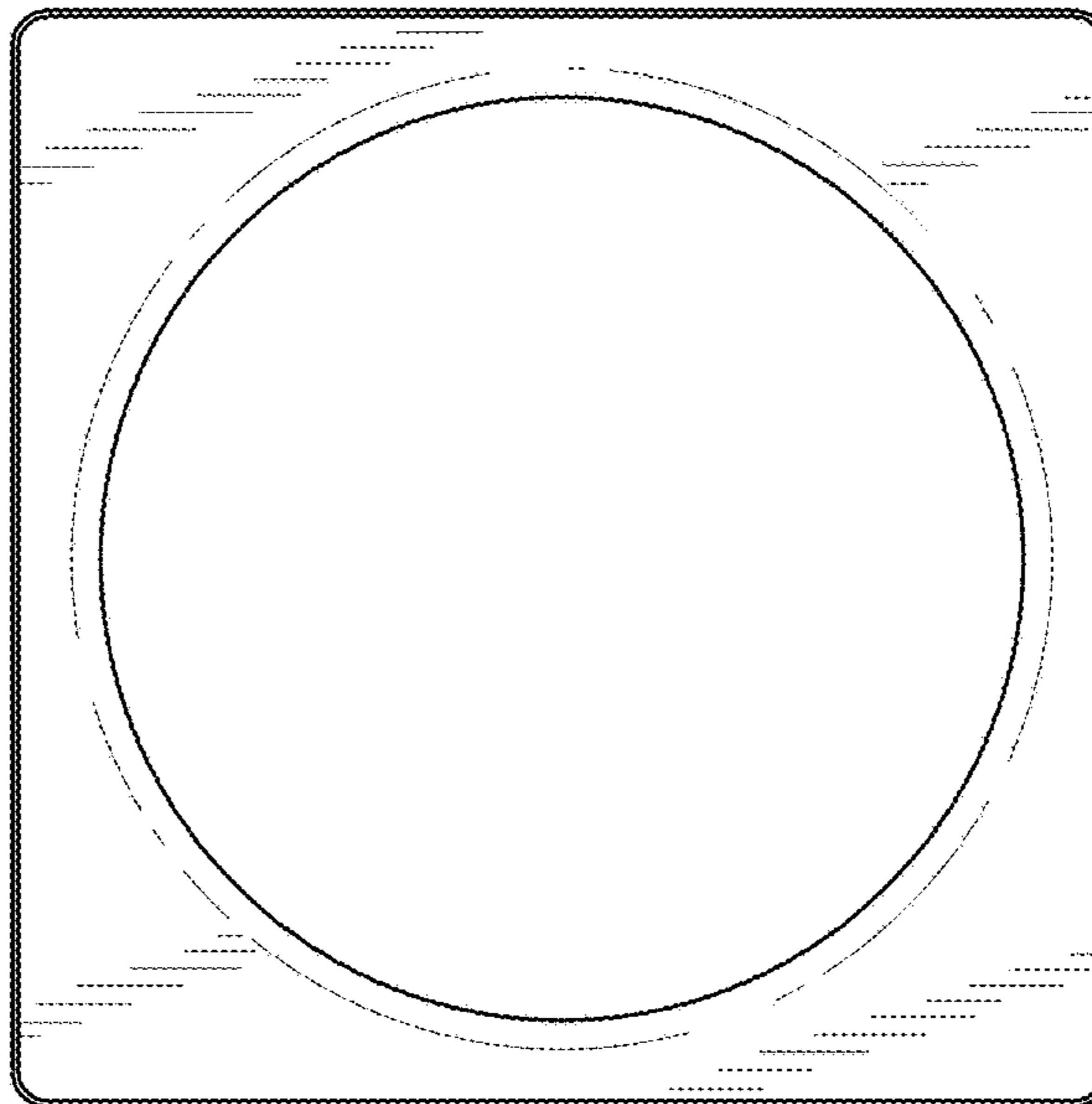


FIG. 3

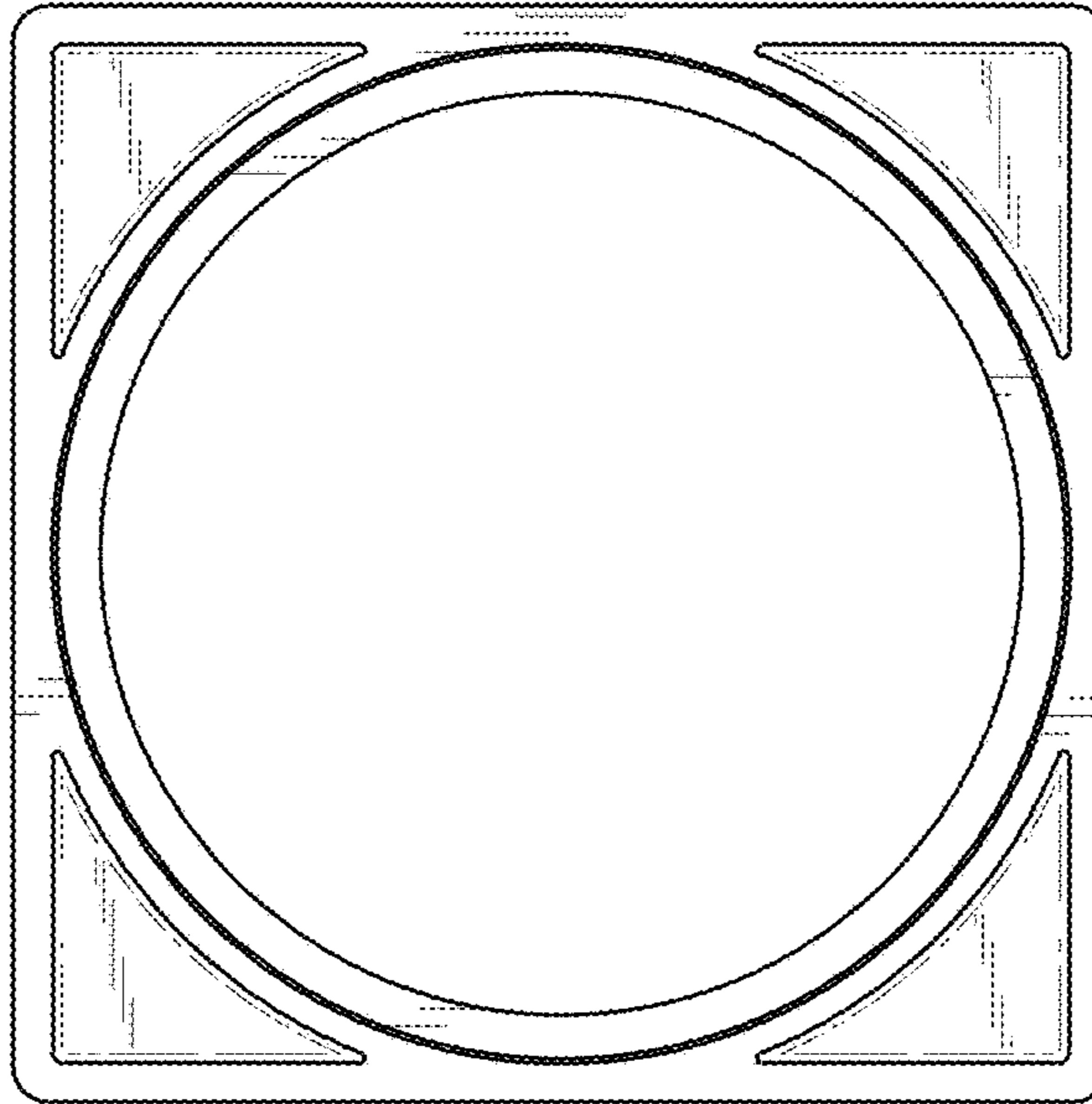


FIG. 4

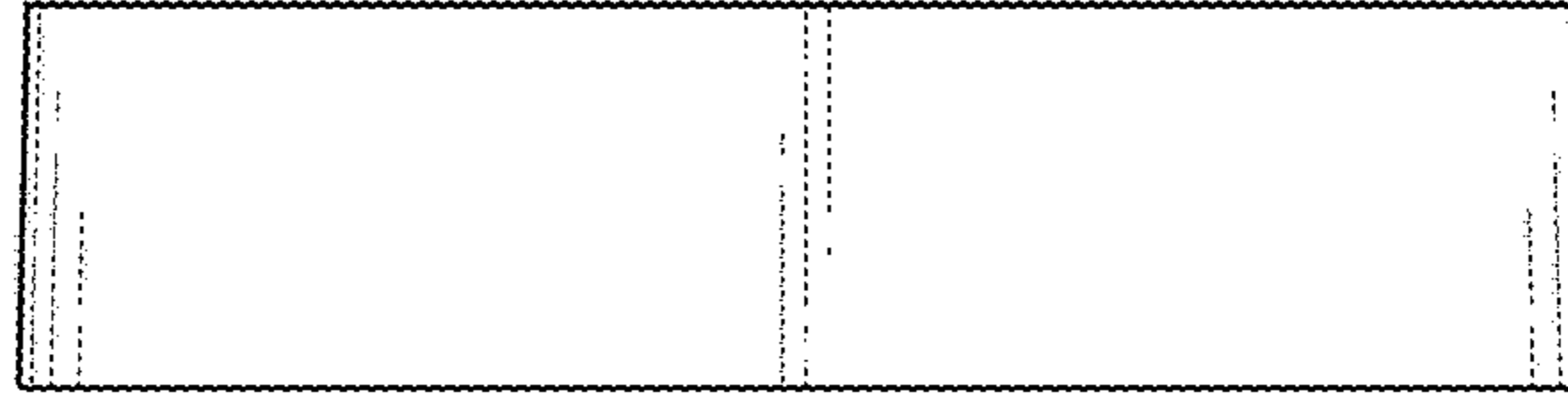


FIG. 6

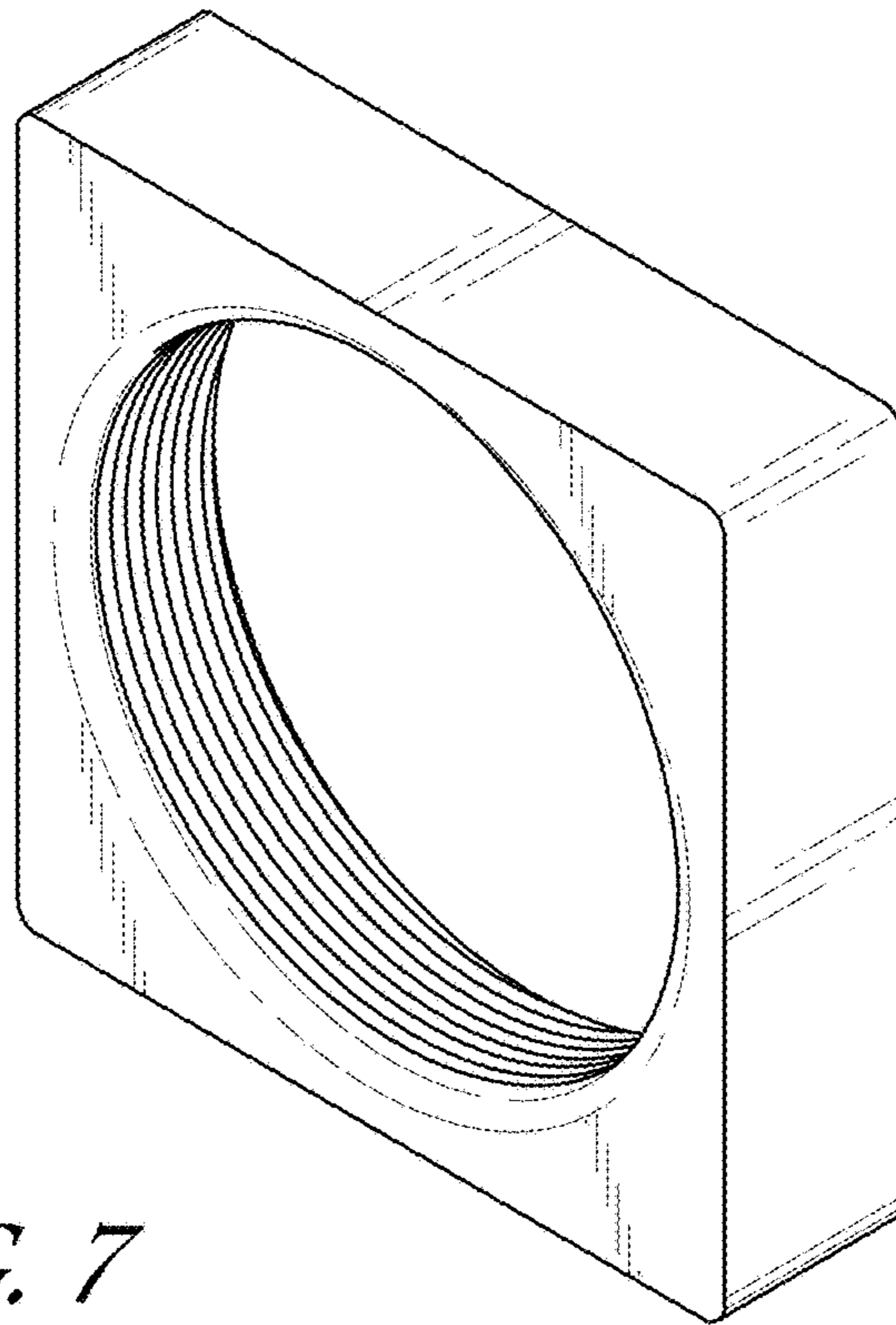


FIG. 7

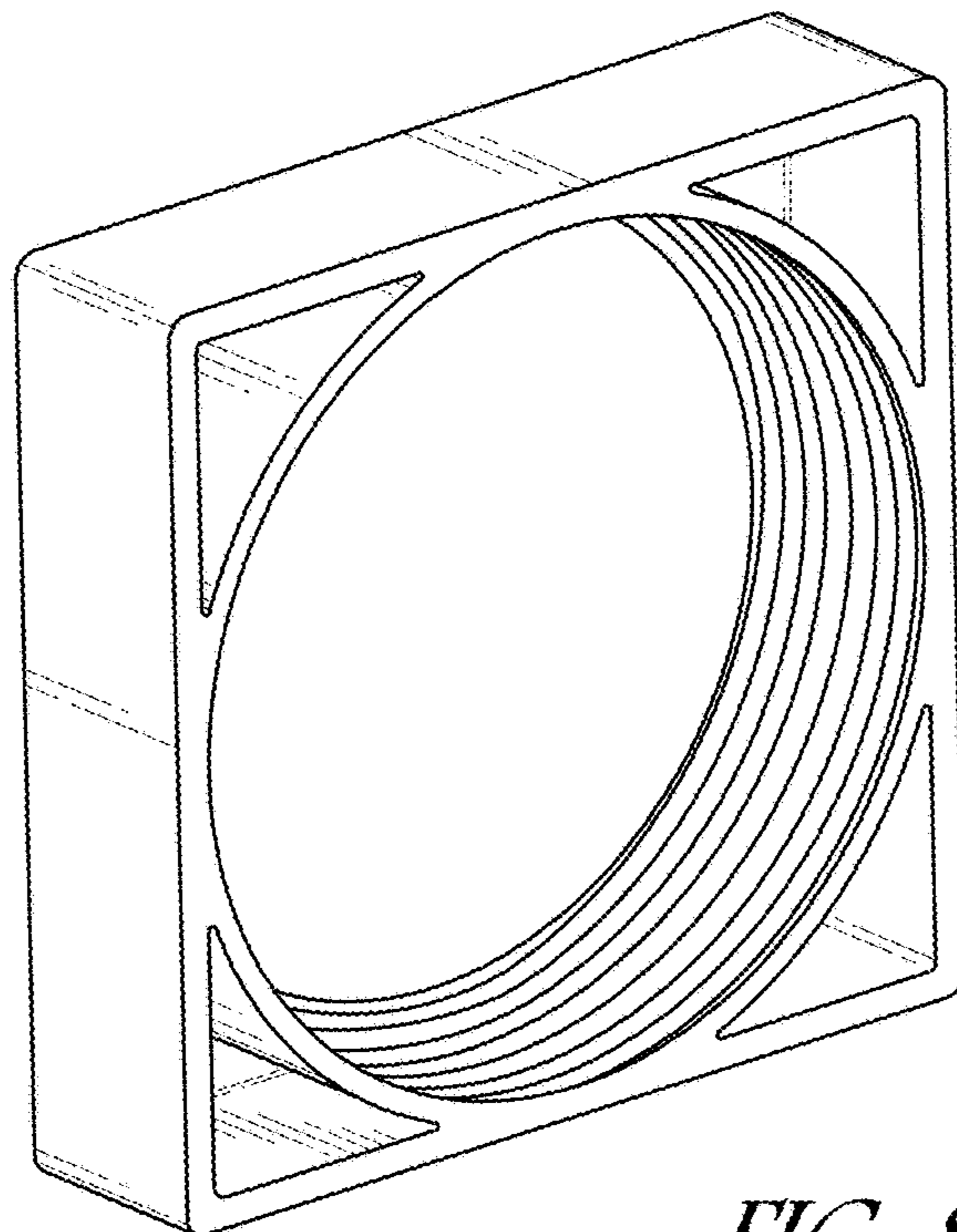


FIG. 8

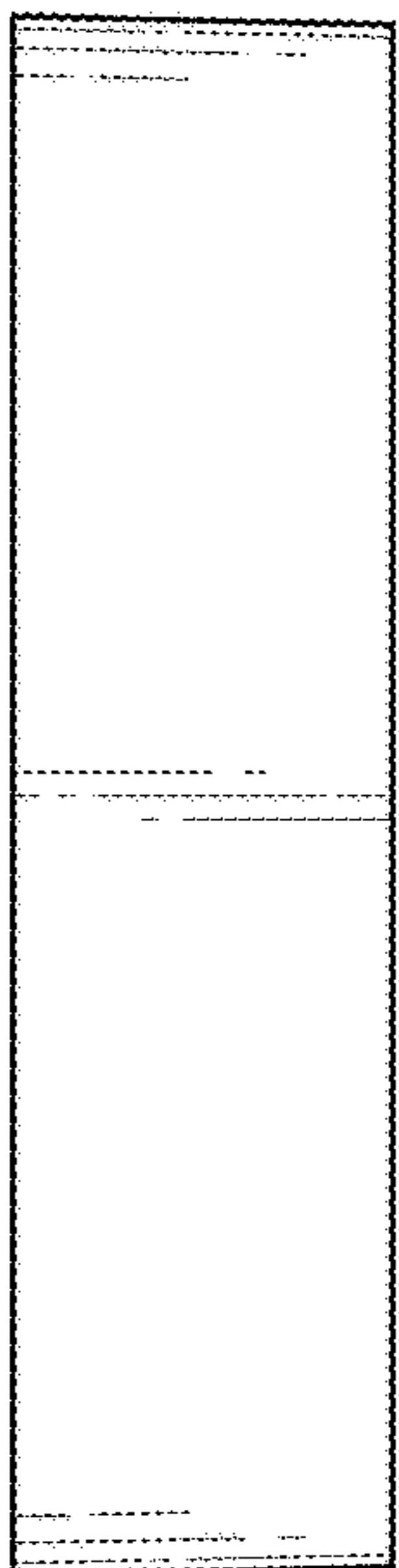


FIG. 11

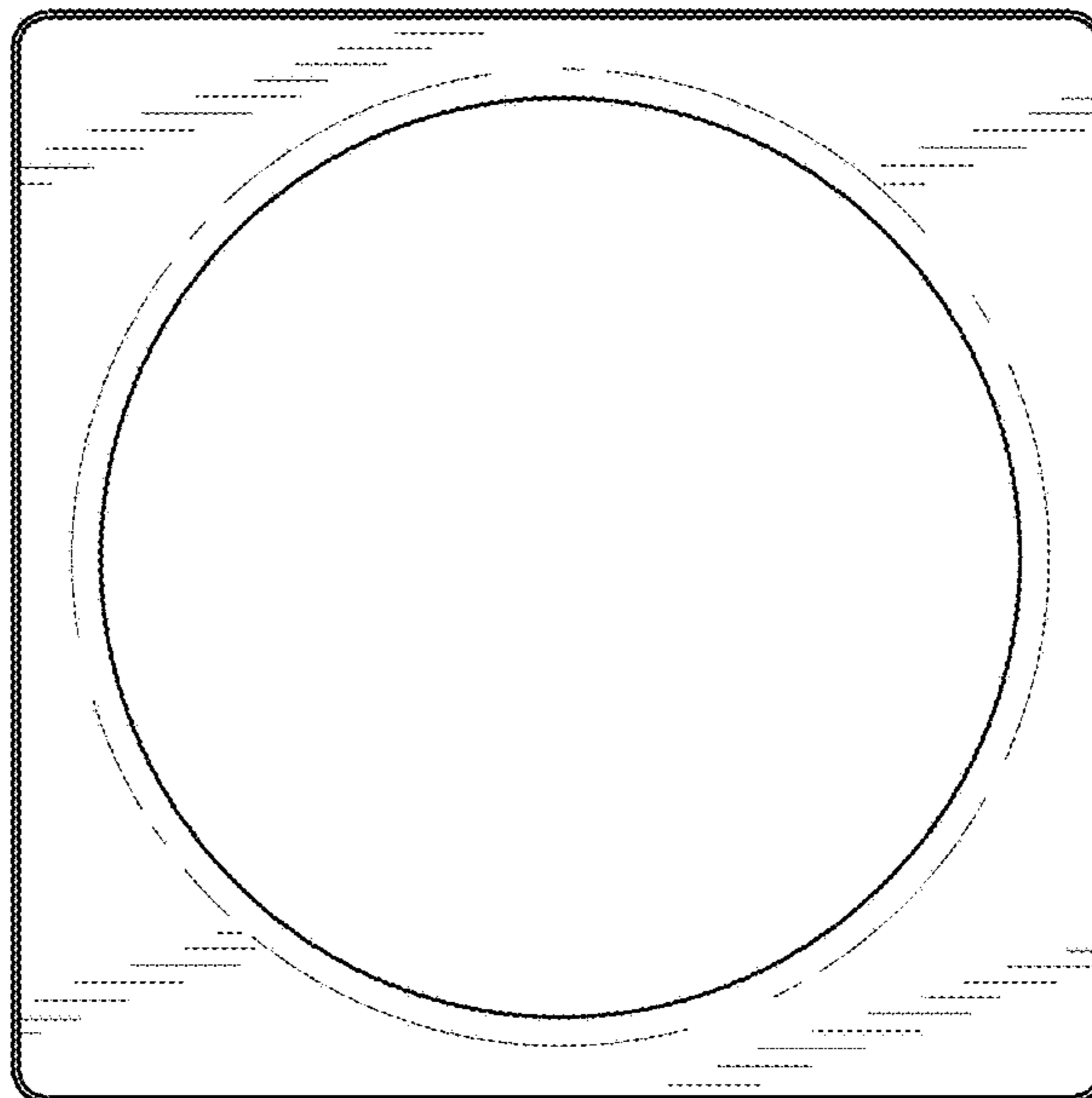


FIG. 9

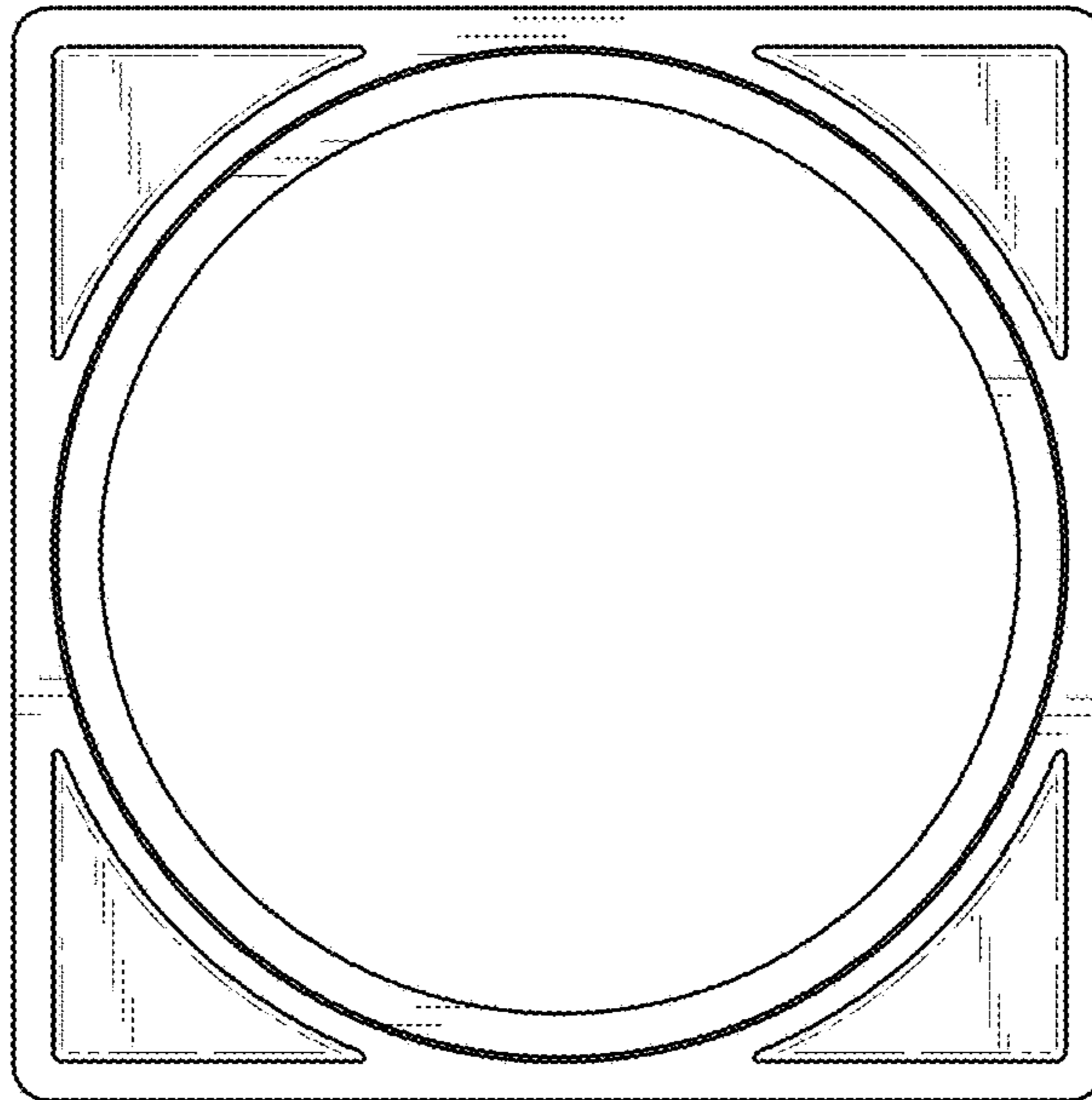


FIG. 10

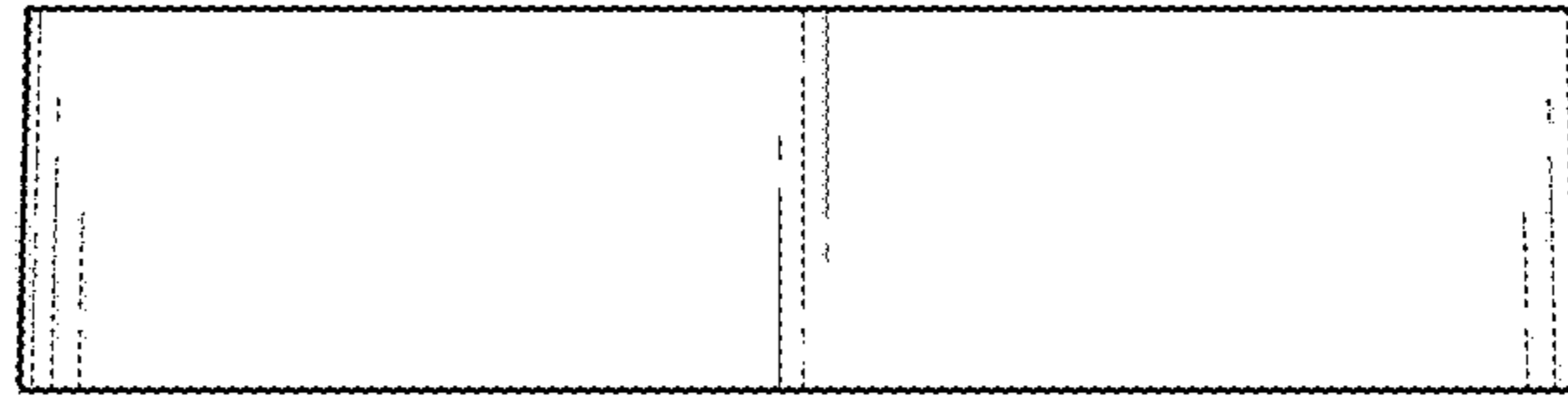


FIG. 12