



US00D776243S

(12) **United States Design Patent**
Park

(10) **Patent No.:** **US D776,243 S**

(45) **Date of Patent:** **** Jan. 10, 2017**

(54) **BALL VALVE**
(71) Applicant: **Jae yeon Park**, Busan (KR)
(72) Inventor: **Jae yeon Park**, Busan (KR)
(**) Term: **15 Years**
(21) Appl. No.: **29/529,888**
(22) Filed: **Jun. 11, 2015**

7,044,148 B2 * 5/2006 Berger F16K 35/06
137/15.08
D522,618 S * 6/2006 Matsushita D23/233
D588,232 S * 3/2009 Giacomini D23/233
D723,660 S * 3/2015 Hatta D23/233
8,997,536 B2 * 4/2015 Fuller F16K 35/10
137/385
D757,217 S * 5/2016 Park D23/236
2014/0021394 A1 * 1/2014 Street F16K 27/067
251/315.01

* cited by examiner

(30) **Foreign Application Priority Data**
Apr. 10, 2015 (KR) 30-2015-0018456
(51) **LOC (10) Cl.** **23-01**
(52) **U.S. Cl.**
USPC **D23/245**
(58) **Field of Classification Search**
USPC ... D23/233-269; 137/398, 545, 54, 549, 62,
137/385, 505.42, 505.12, 318, 315.18,
137/533.11, 539, 652.22, 625.21;
251/315.01, 315.16, 356, 148, 214
CPC F16K 15/183; F16K 1/14
See application file for complete search history.

Primary Examiner — Cynthia Ramirez
Assistant Examiner — Gino Colan
(74) *Attorney, Agent, or Firm* — Park & Associates IP
Law, P.C.

(57) **CLAIM**
The ornamental design for a ball valve, as shown and
described.

(56) **References Cited**
U.S. PATENT DOCUMENTS
4,023,773 A * 5/1977 Wise F16K 5/0605
251/148
5,785,074 A * 7/1998 Kieper F16K 5/0605
137/312
6,260,819 B1 * 7/2001 Ovsepyan F16K 35/06
251/95

DESCRIPTION
FIG. 1 is a perspective view of a ball valve in accordance
with the new design;
FIG. 2 is a front view thereof;
FIG. 3 is a rear view thereof;
FIG. 4 is a left side view thereof;
FIG. 5 is a right side view thereof;
FIG. 6 is a top plan view thereof;
FIG. 7 is a bottom plan view thereof; and,
FIG. 8 is a bottom perspective view thereof.
The broken lines shown in the figures are included for the
purpose of illustrating portions of the ball valve and form no
part of the claimed design.

1 Claim, 7 Drawing Sheets

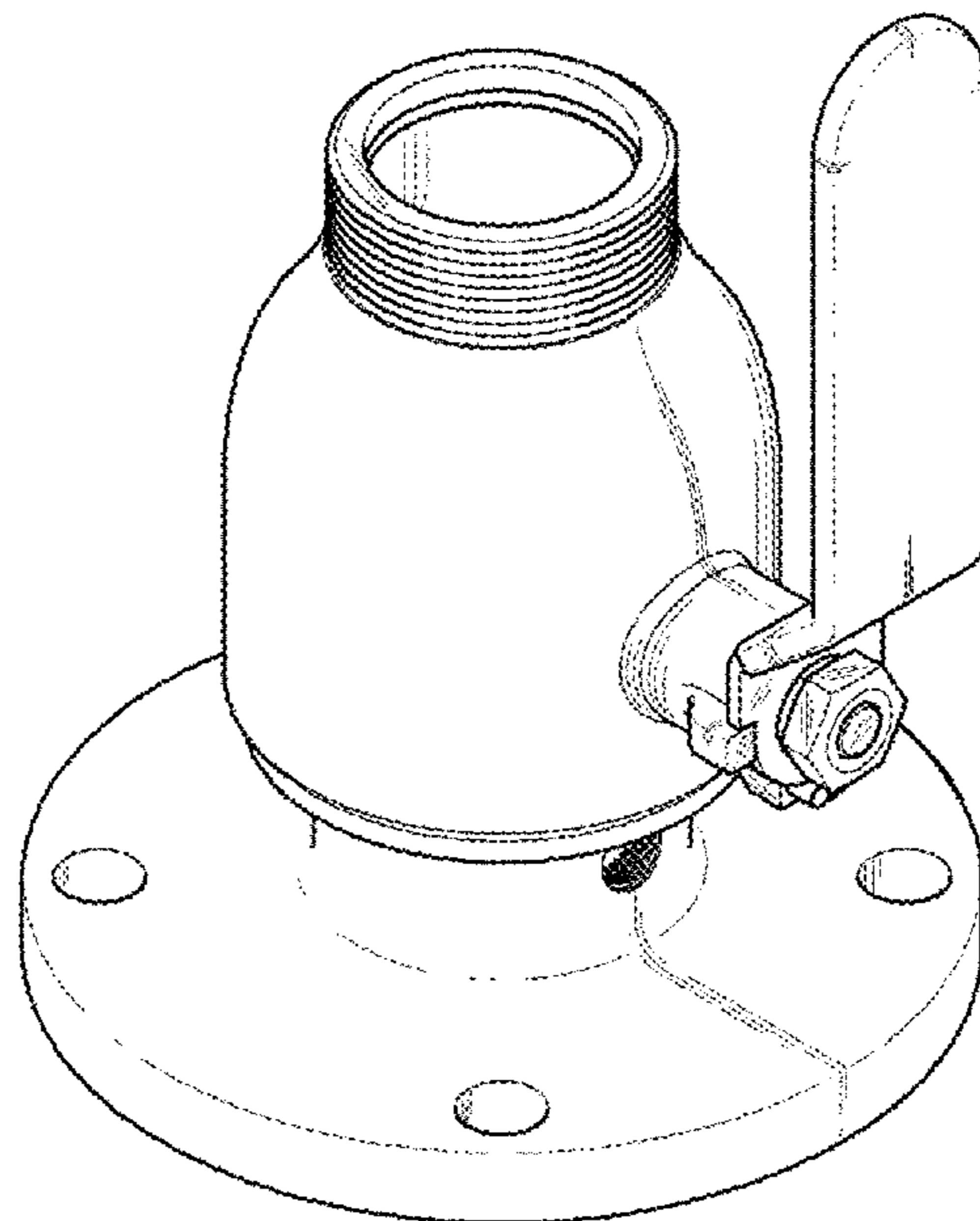


FIG. 1

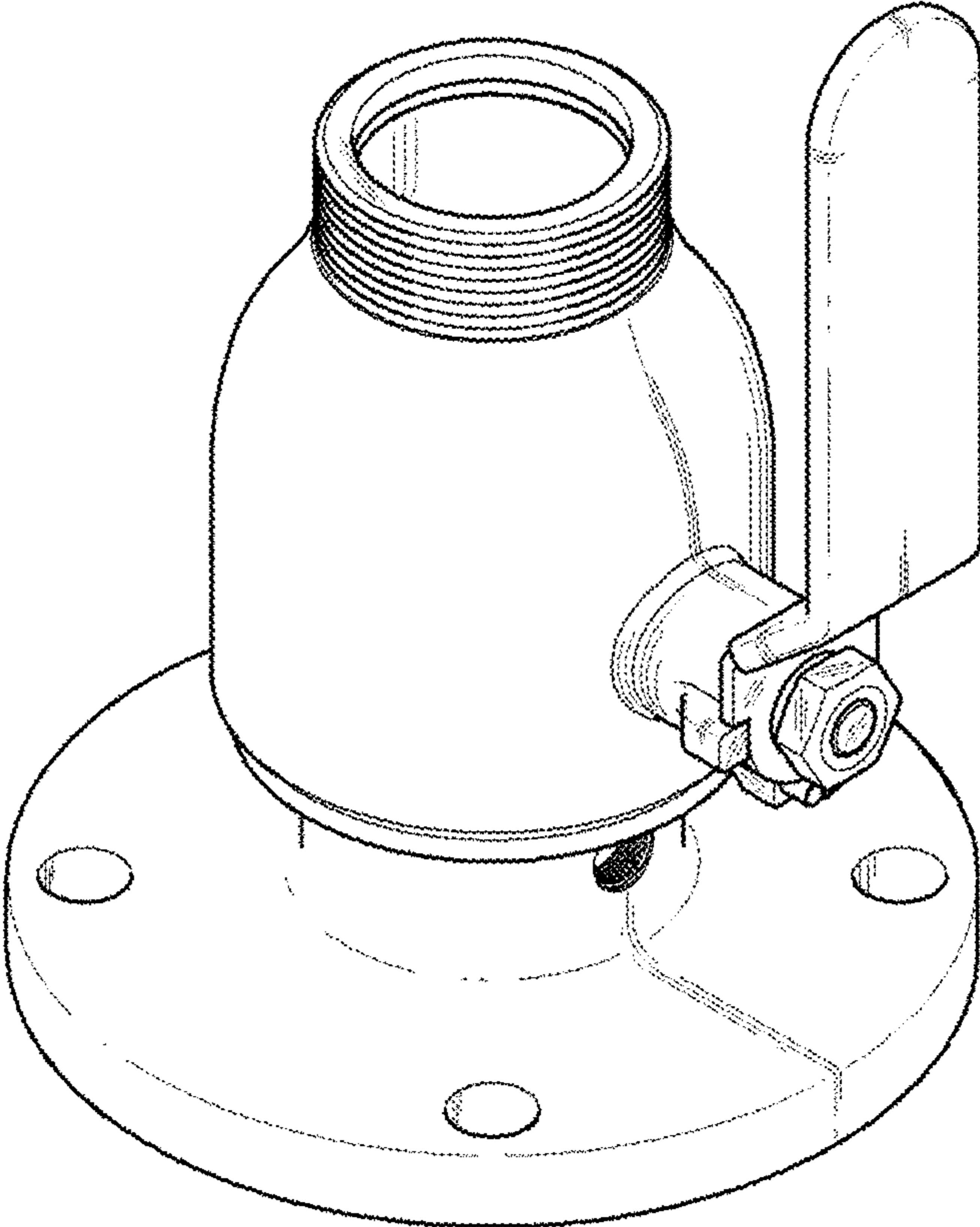


FIG. 2

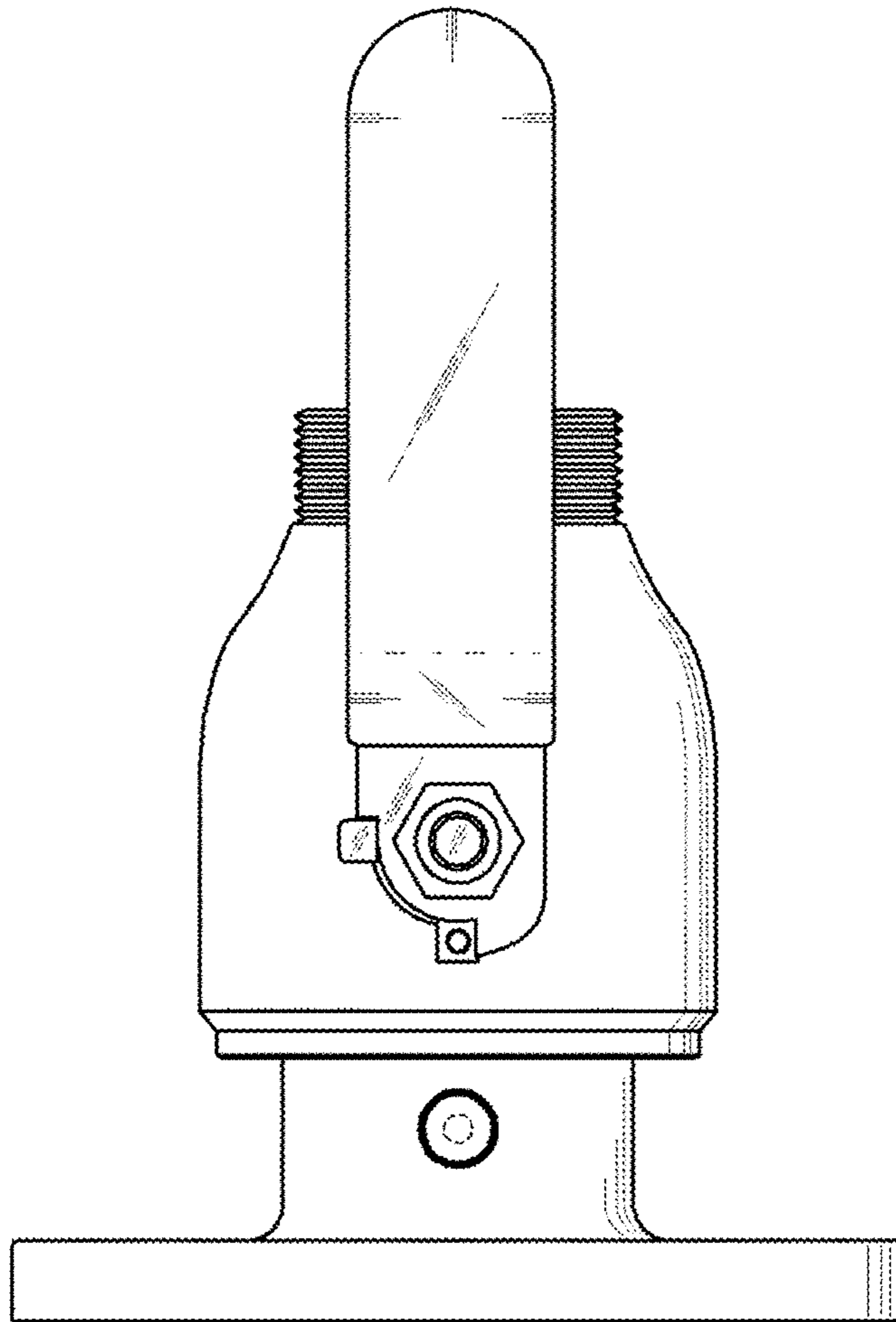


FIG. 3

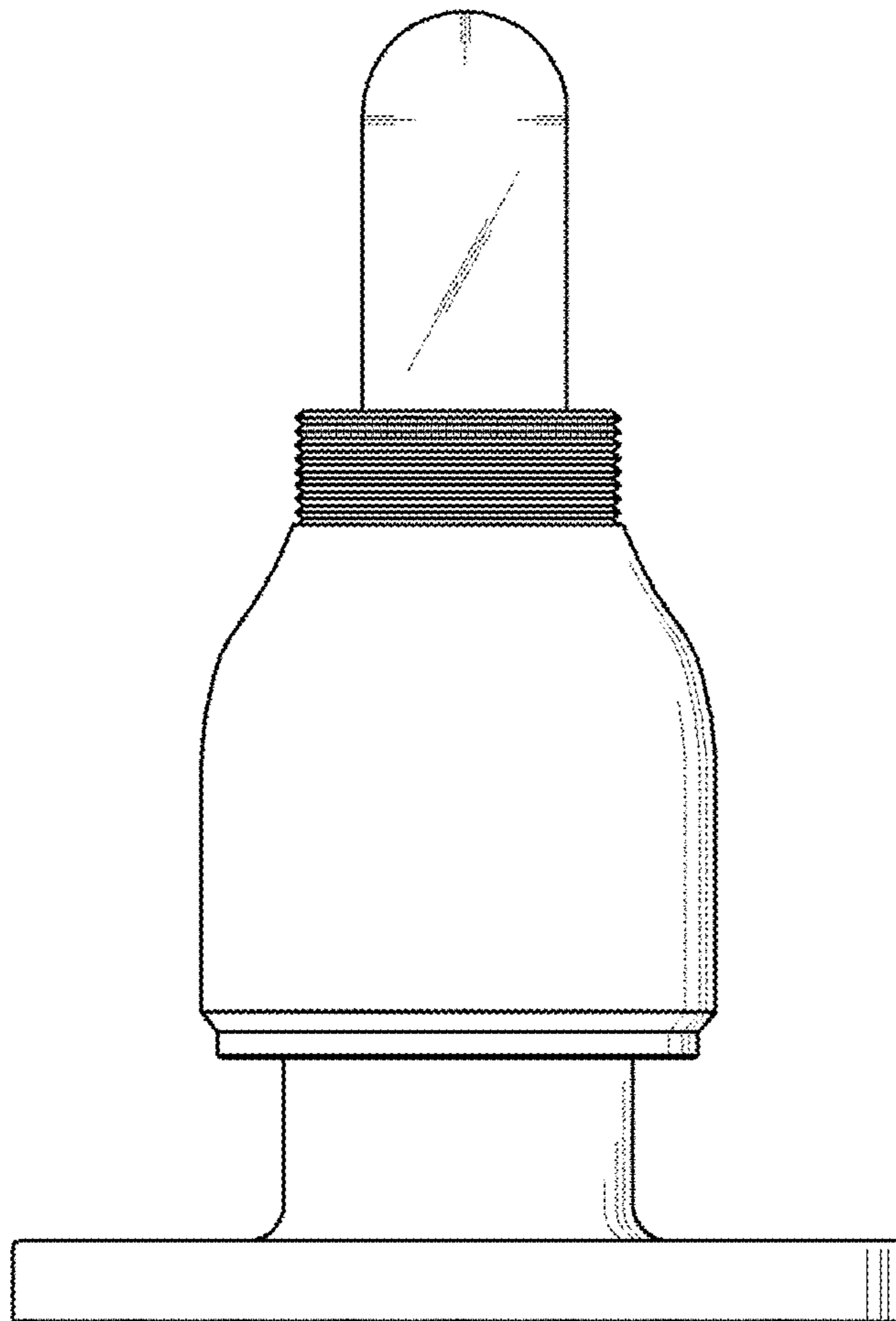


FIG. 4

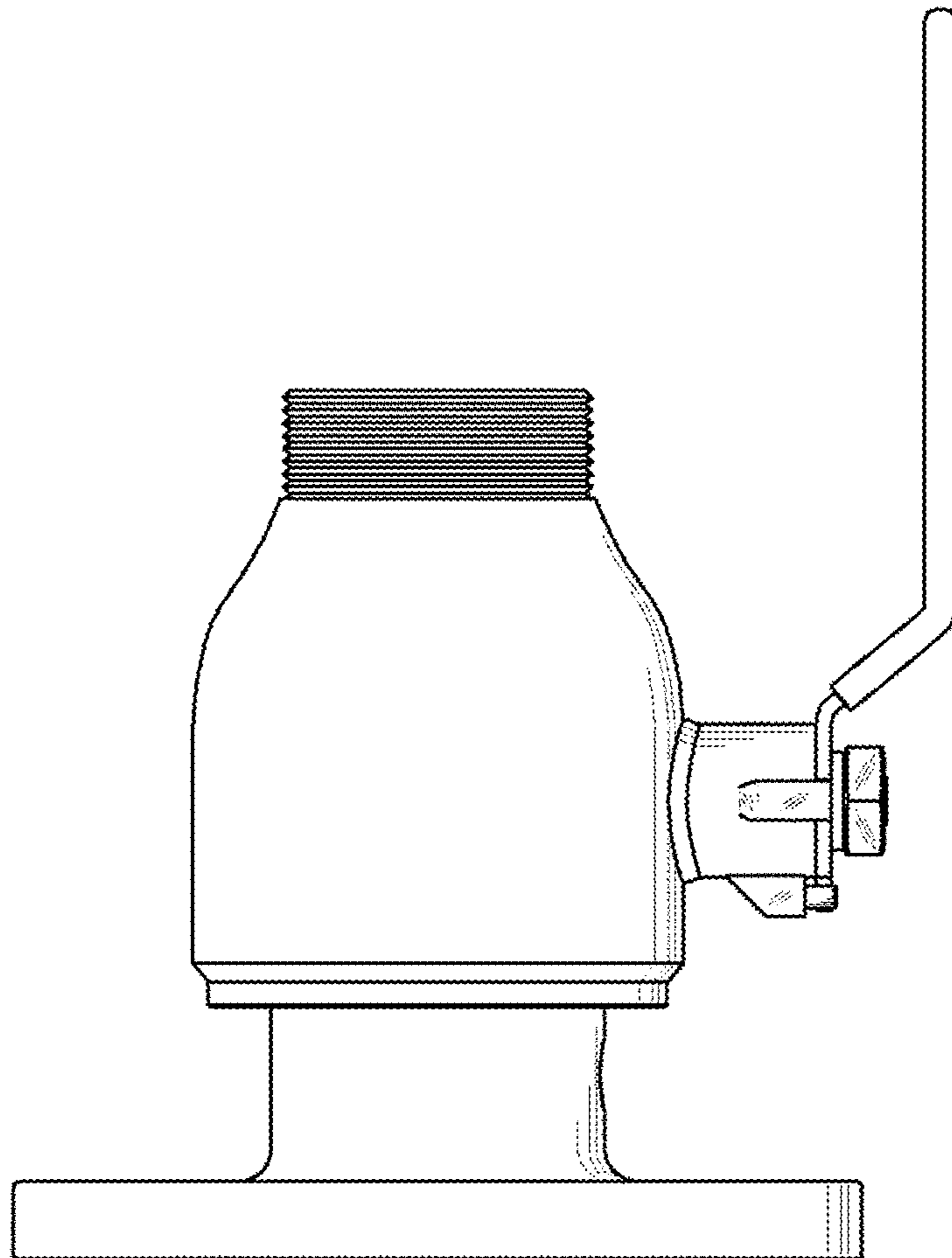


FIG. 5

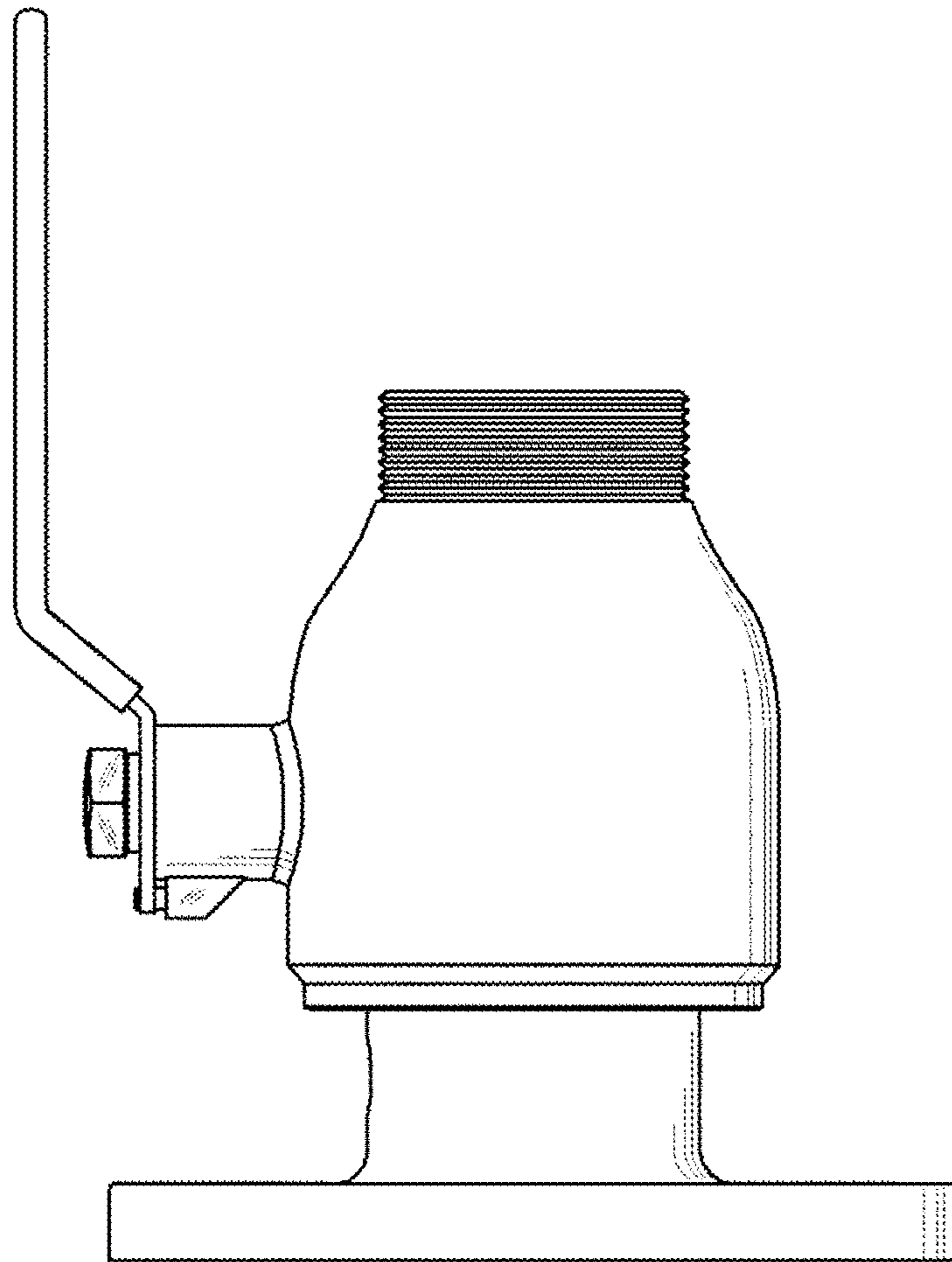


FIG. 6

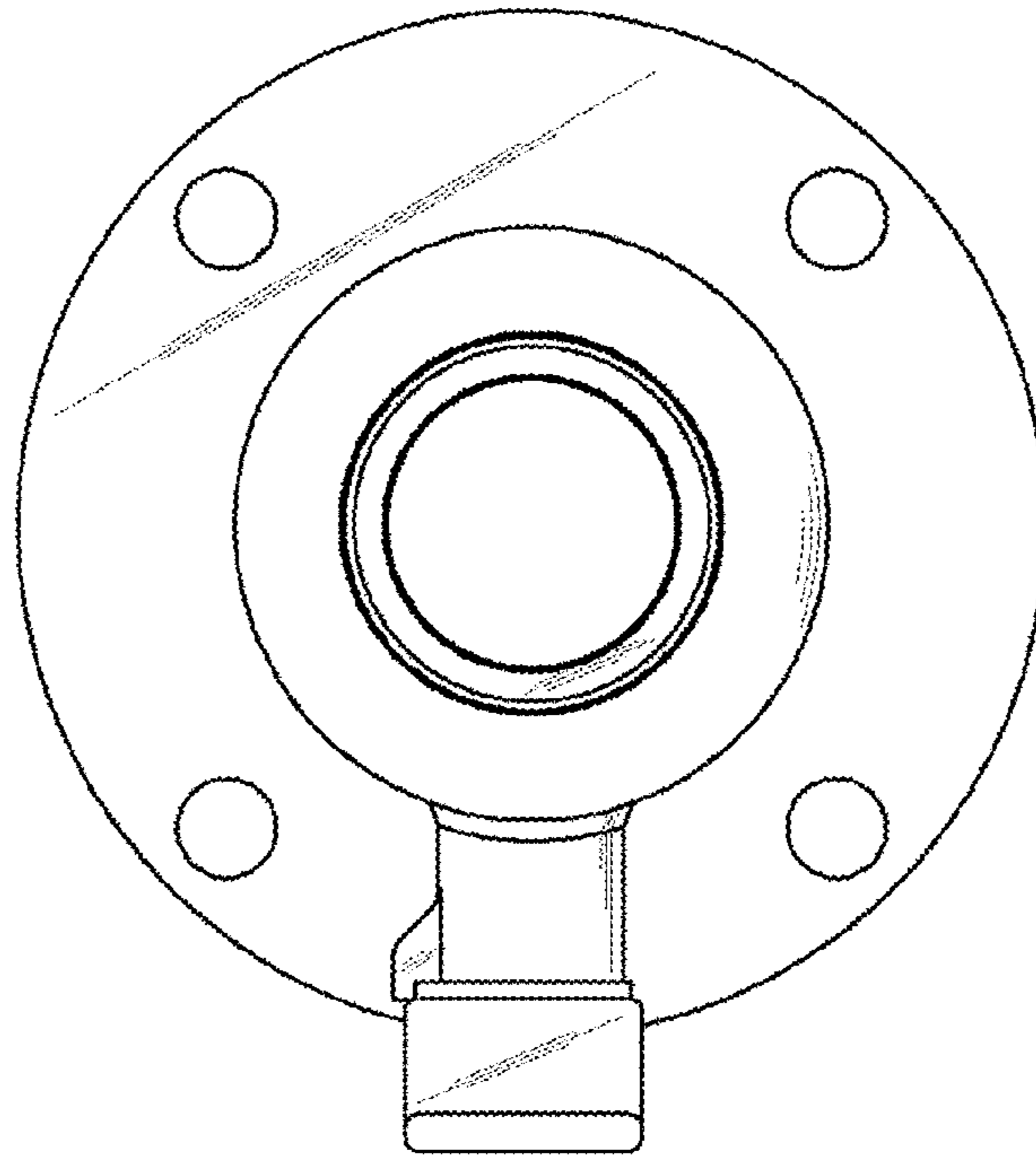


FIG. 7

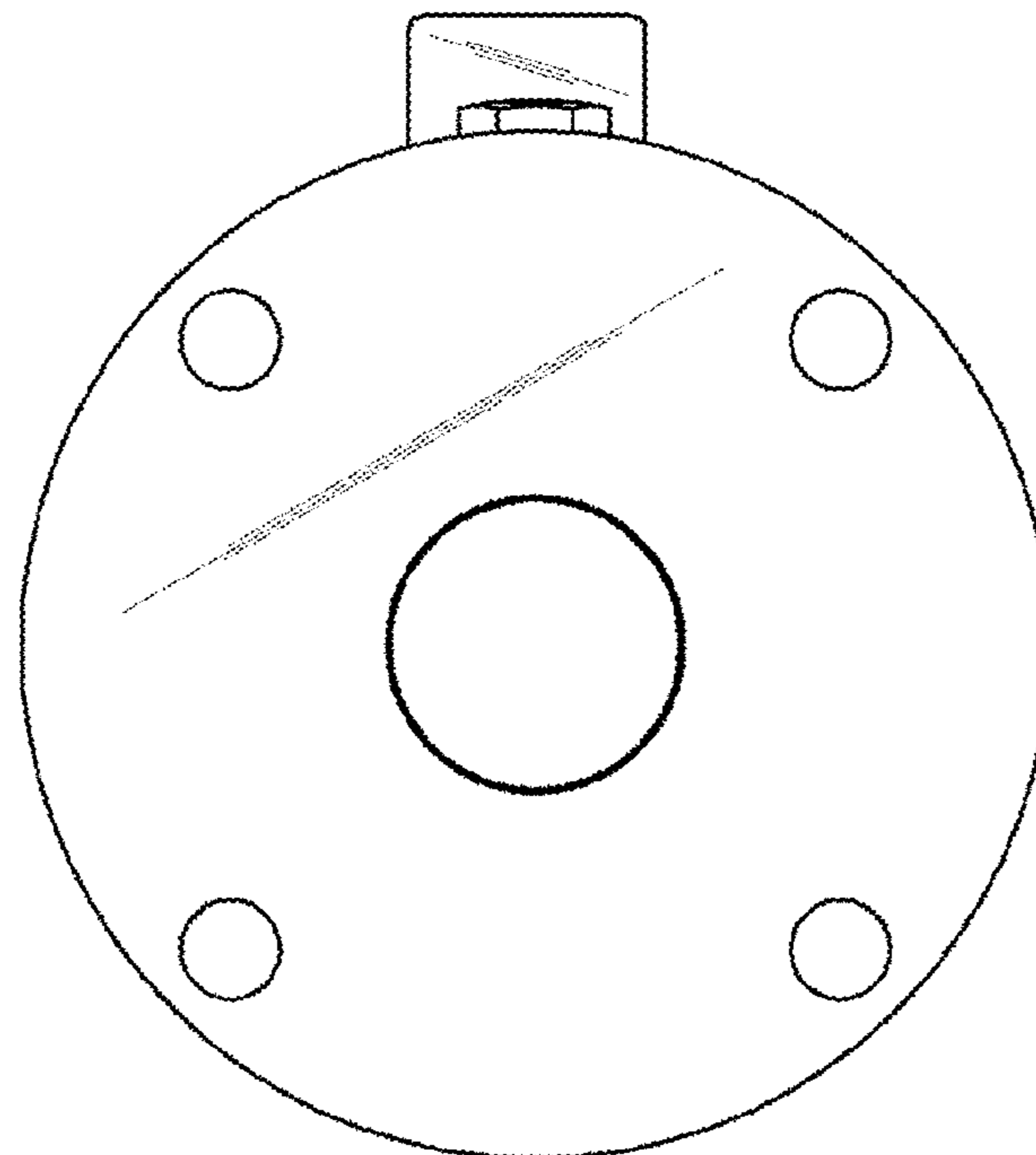


FIG. 8

