



US00D776242S

(12) **United States Design Patent**
Blum

(10) **Patent No.:** **US D776,242 S**

(45) **Date of Patent:** **** Jan. 10, 2017**

(54) **FAUCET STREAM STRAIGHTENER**

(71) Applicant: **Neoperl GmbH**, Mullheim (DE)

(72) Inventor: **Gerhard Blum**, Gutach (DE)

(73) Assignee: **Neoperl GmbH**, Müllheim (DE)

(**) Term: **15 Years**

(21) Appl. No.: **29/554,913**

(22) Filed: **Feb. 17, 2016**

Related U.S. Application Data

(60) Continuation-in-part of application No. 29/528,349, filed on May 28, 2015, now Pat. No. Des. 753,792, which is a division of application No. 29/465,029, filed on Aug. 23, 2013, now Pat. No. Des. 733,255.

(30) **Foreign Application Priority Data**

Mar. 8, 2013 (WO) 725018001

(51) **LOC (10) Cl.** **23-01**

(52) **U.S. Cl.**
USPC **D23/213**

(58) **Field of Classification Search**
USPC D23/213, 249; 239/428.5, 437;
261/DIG. 22; 366/276, 364-5
CPC E03C 1/084
See application file for complete search history.

(56) **References Cited**

U.S. PATENT DOCUMENTS

D536,417 S	2/2007	Buttgen
D537,916 S	3/2007	Buttgen
D577,416 S	9/2008	Buttgen
D641,836 S	7/2011	Grether
D641,839 S	7/2011	Grether
D642,662 S	8/2011	Grether
D682,987 S	5/2013	Blum
D684,240 S	6/2013	Stein
D690,796 S	10/2013	Blum
D690,797 S	10/2013	Blum
D697,174 S	1/2014	Blum
D697,175 S	1/2014	Grether
D699,816 S	2/2014	Blum
D700,282 S	2/2014	Blum
D709,593 S	7/2014	Blum

Primary Examiner — Robin V Webster

(74) *Attorney, Agent, or Firm* — Volpe and Koenig, P.C.

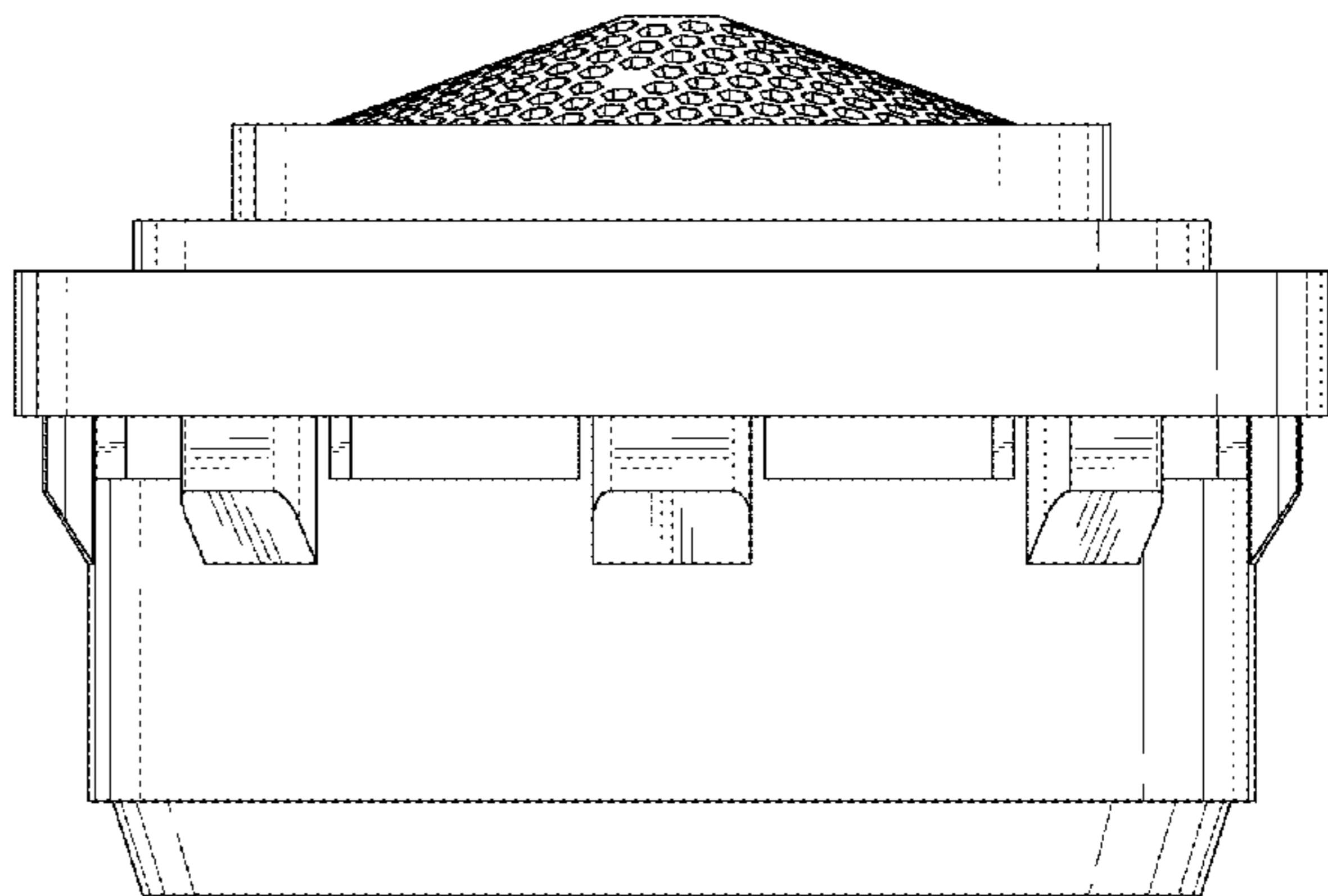
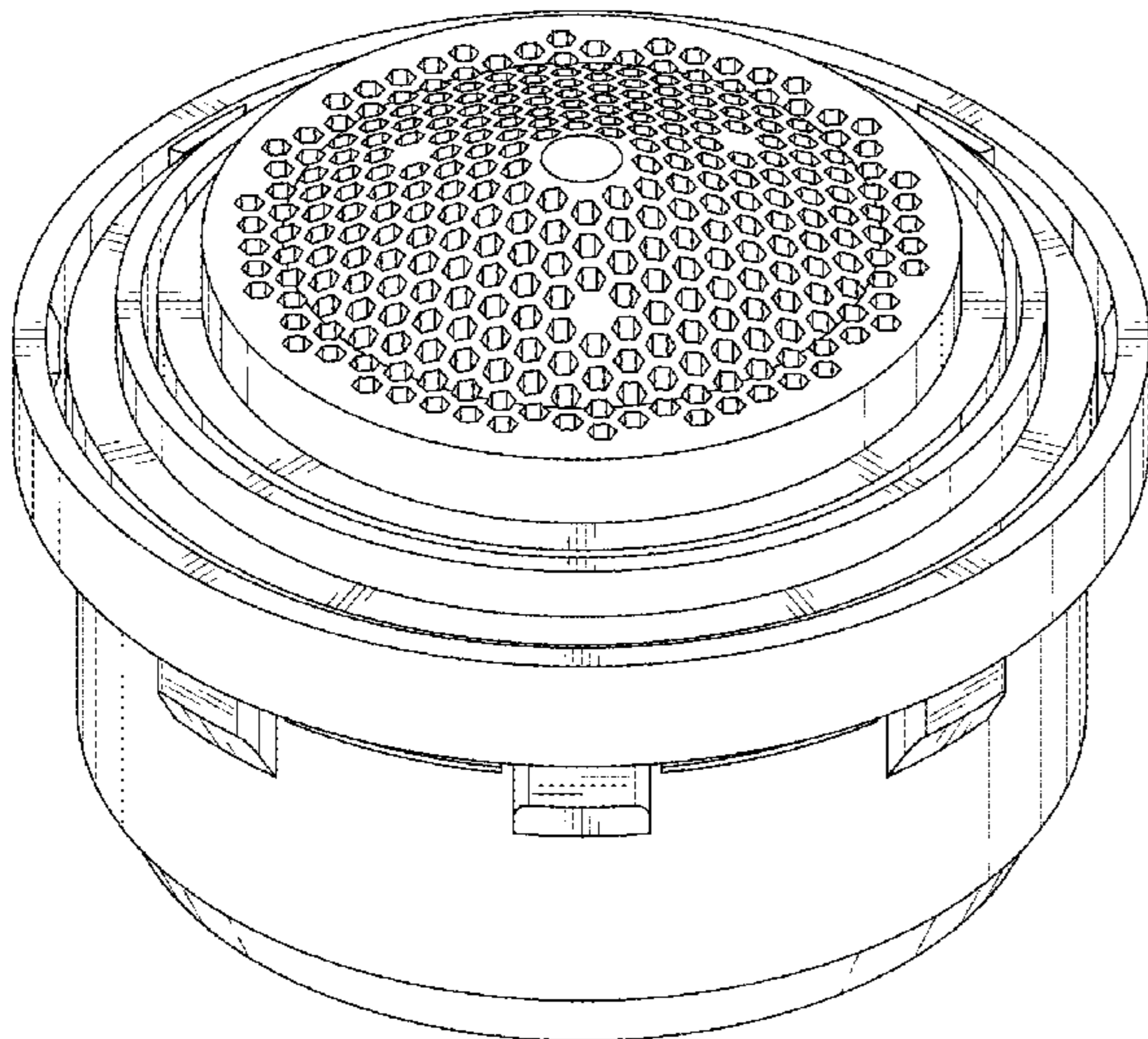
(57) **CLAIM**

The ornamental design of a faucet stream straightener, as shown and described.

DESCRIPTION

FIG. 1 is a top plan view of a faucet stream straightener in accordance with my design;
FIG. 2 is a top, front perspective view thereof;
FIG. 3 is a bottom view thereof;
FIG. 4 is a bottom, rear perspective view thereof;
FIG. 5 is a left side elevational view thereof;
FIG. 6 is a rear elevational view thereof;
FIG. 7 is a right side elevational view thereof; and,
FIG. 8 is a front elevational view thereof.

1 Claim, 8 Drawing Sheets



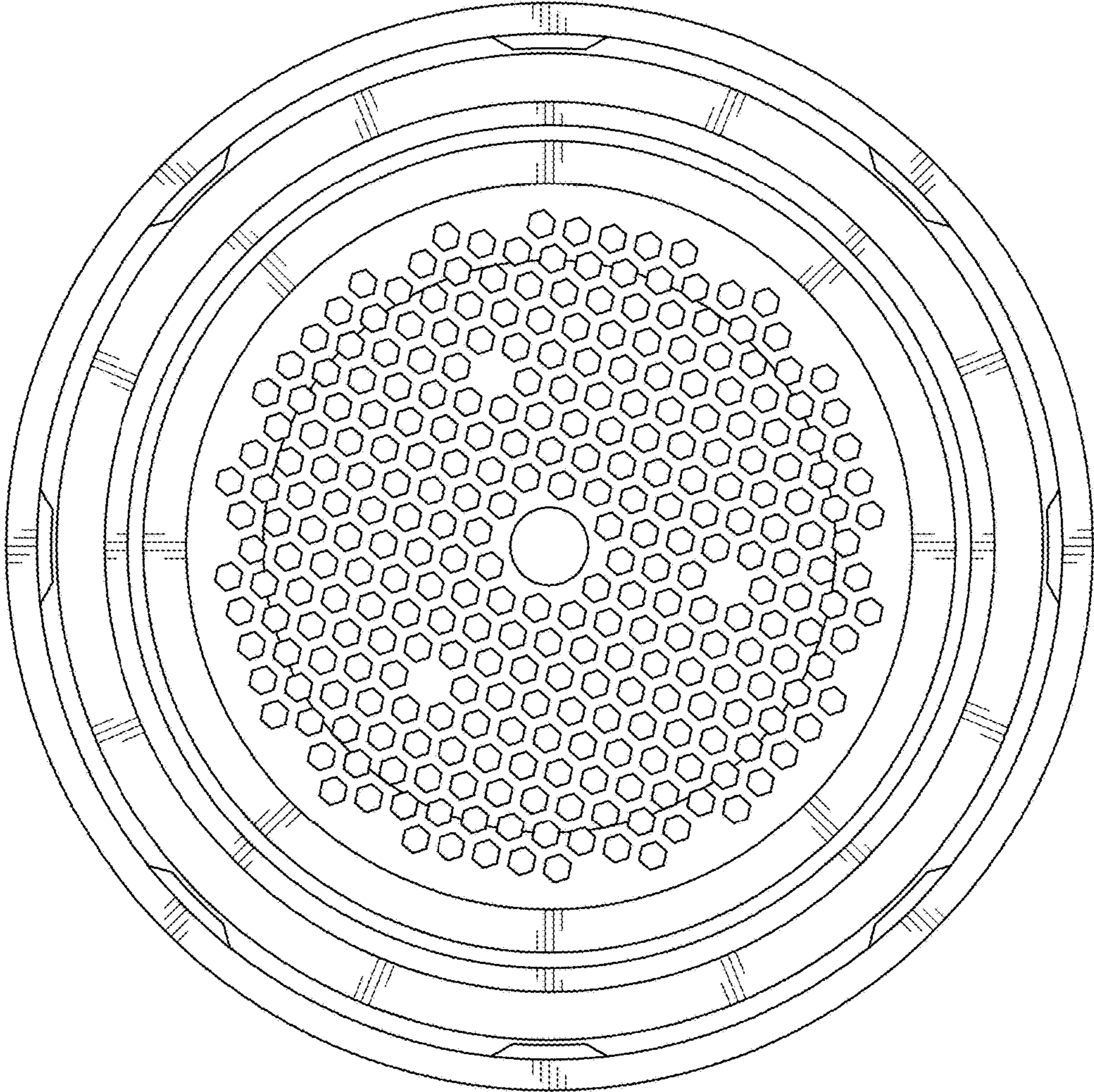


Fig. 1

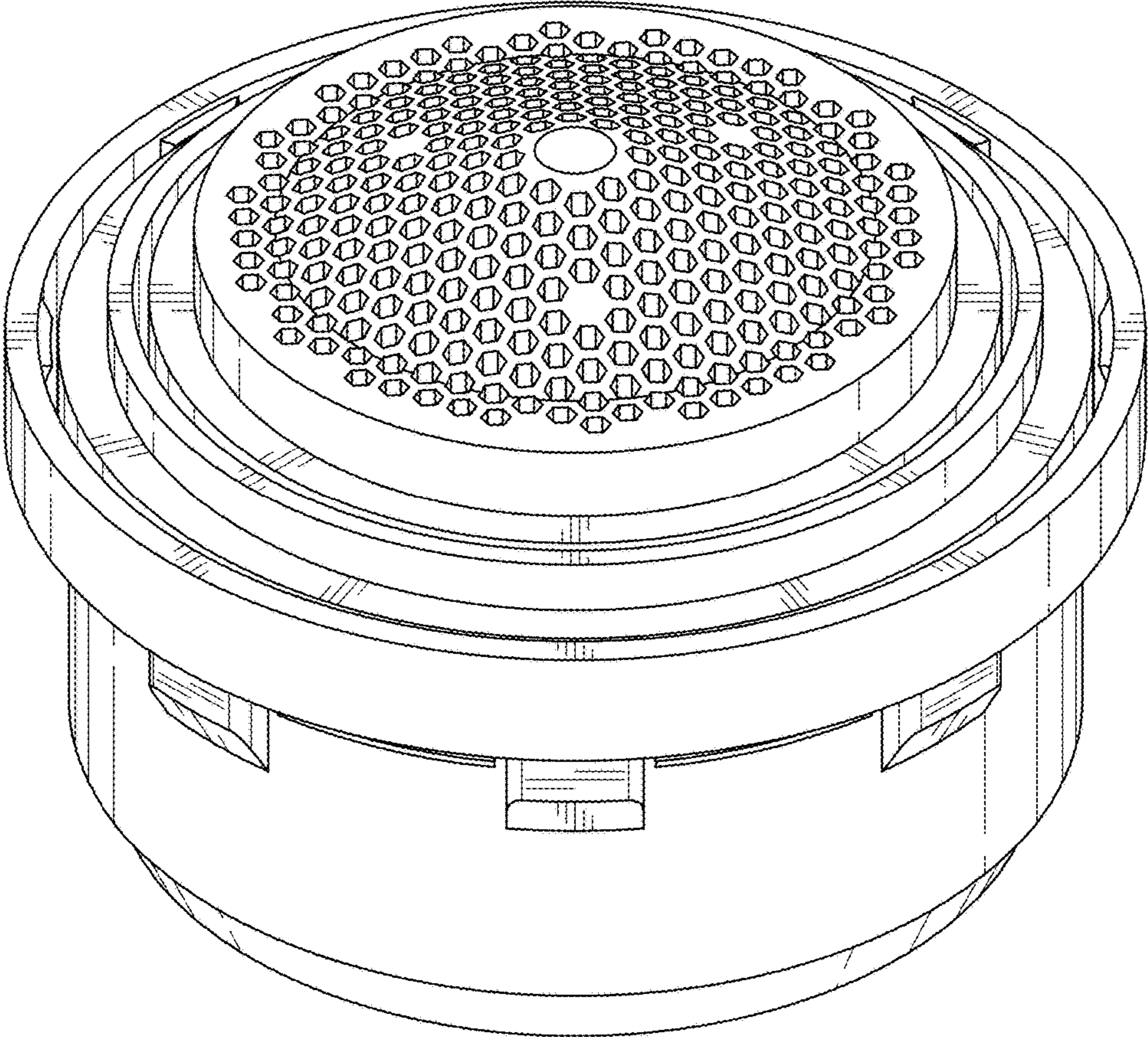


Fig. 2

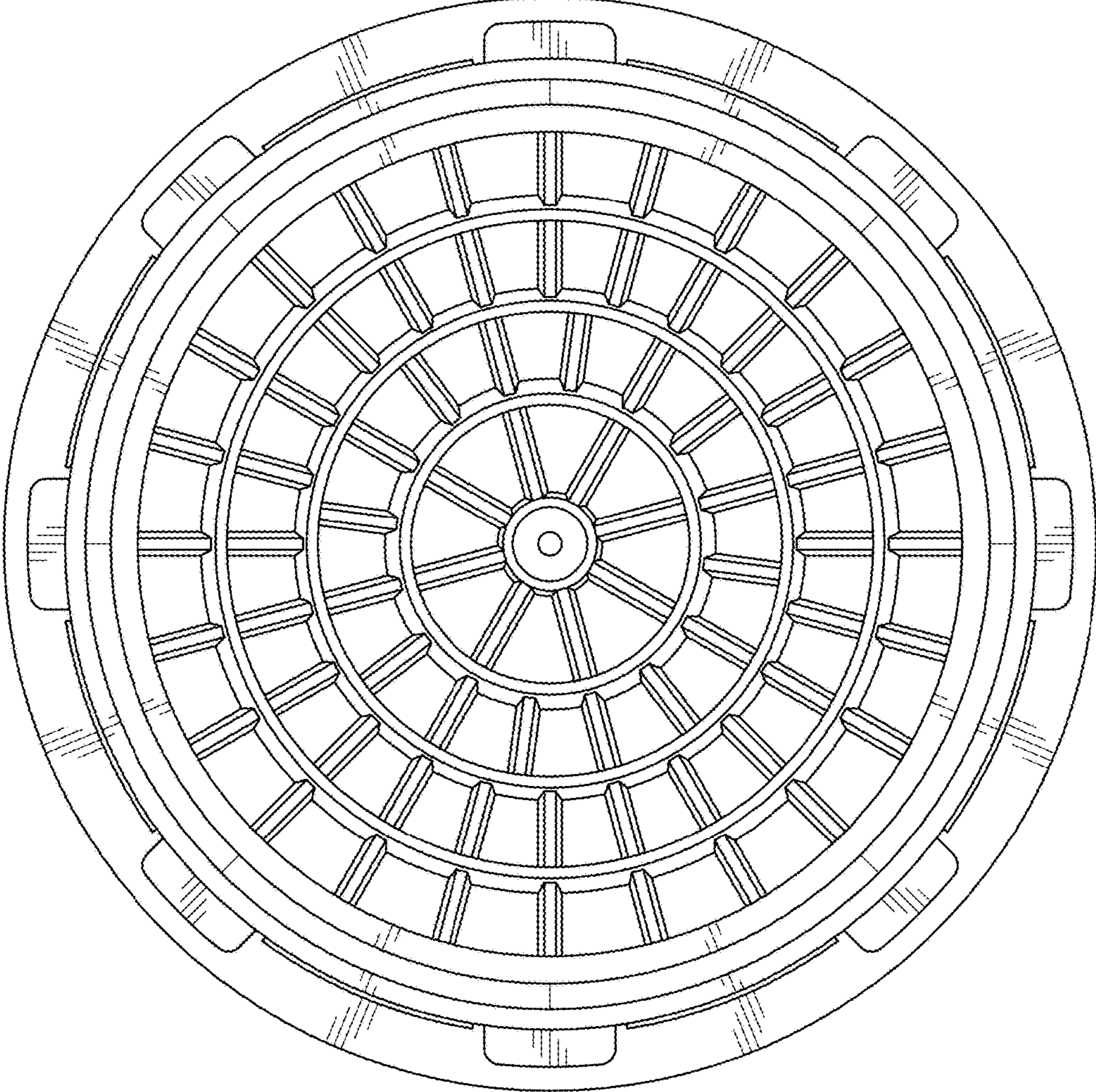


Fig. 3

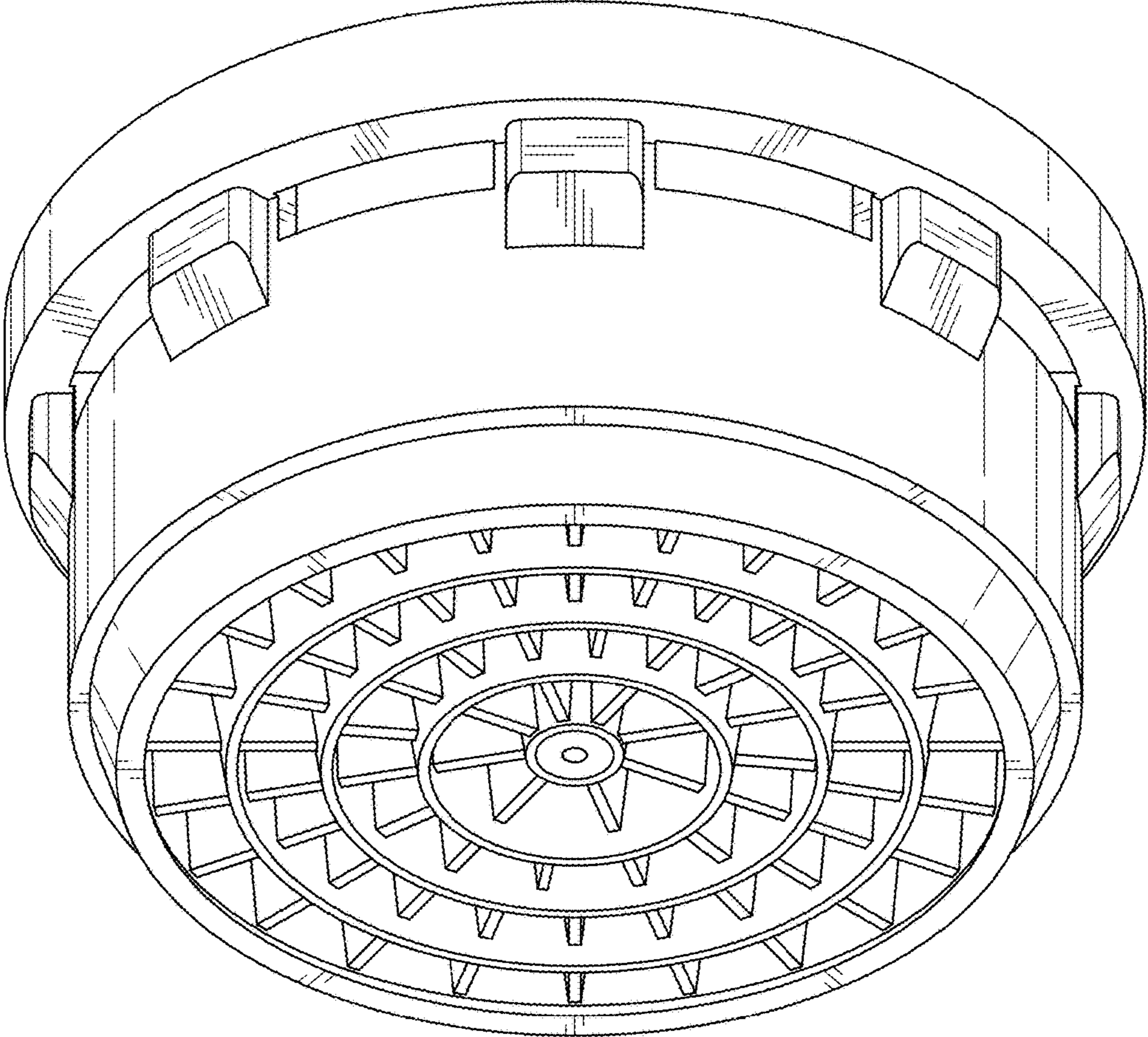


Fig. 4

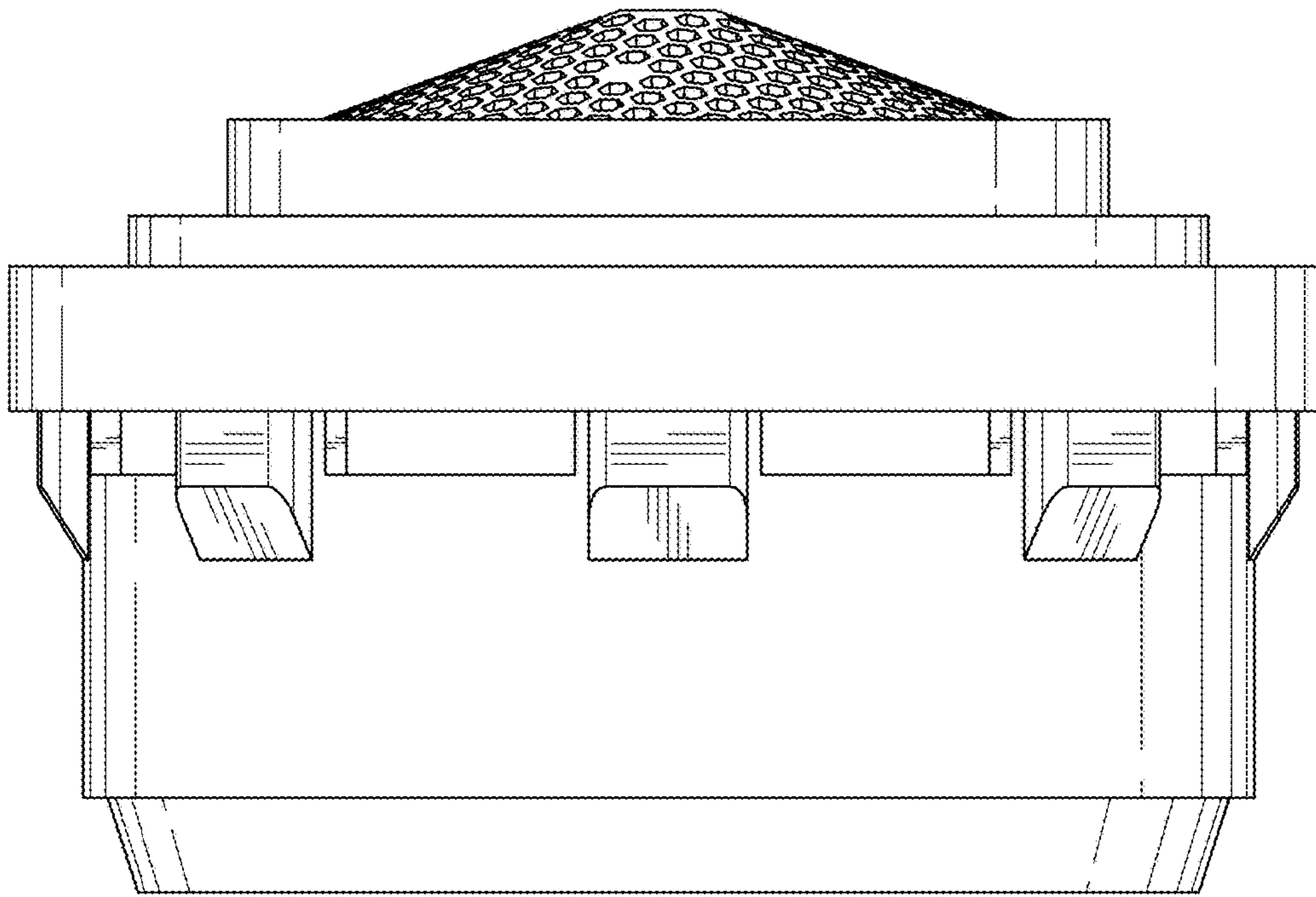


Fig. 5

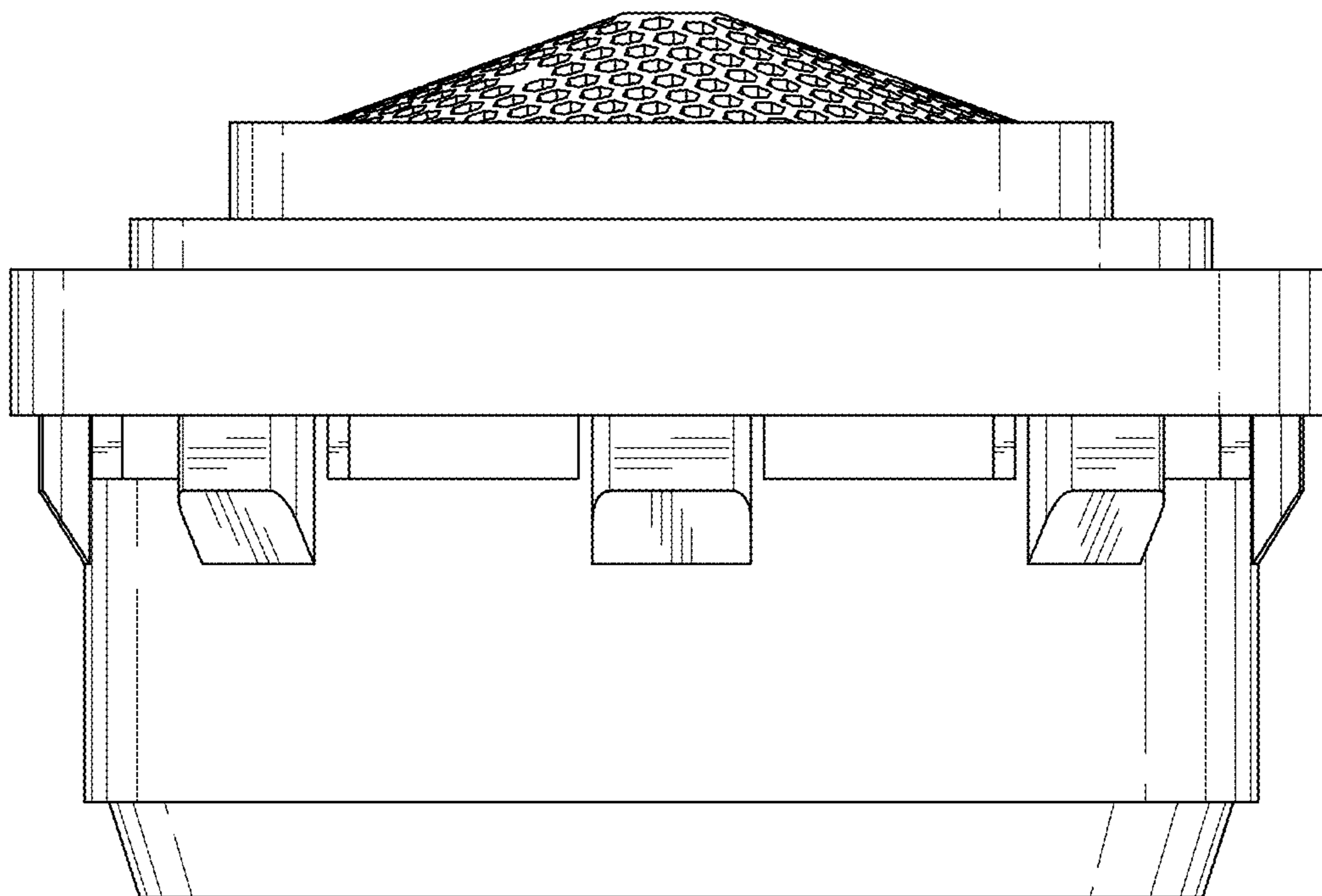


Fig. 6

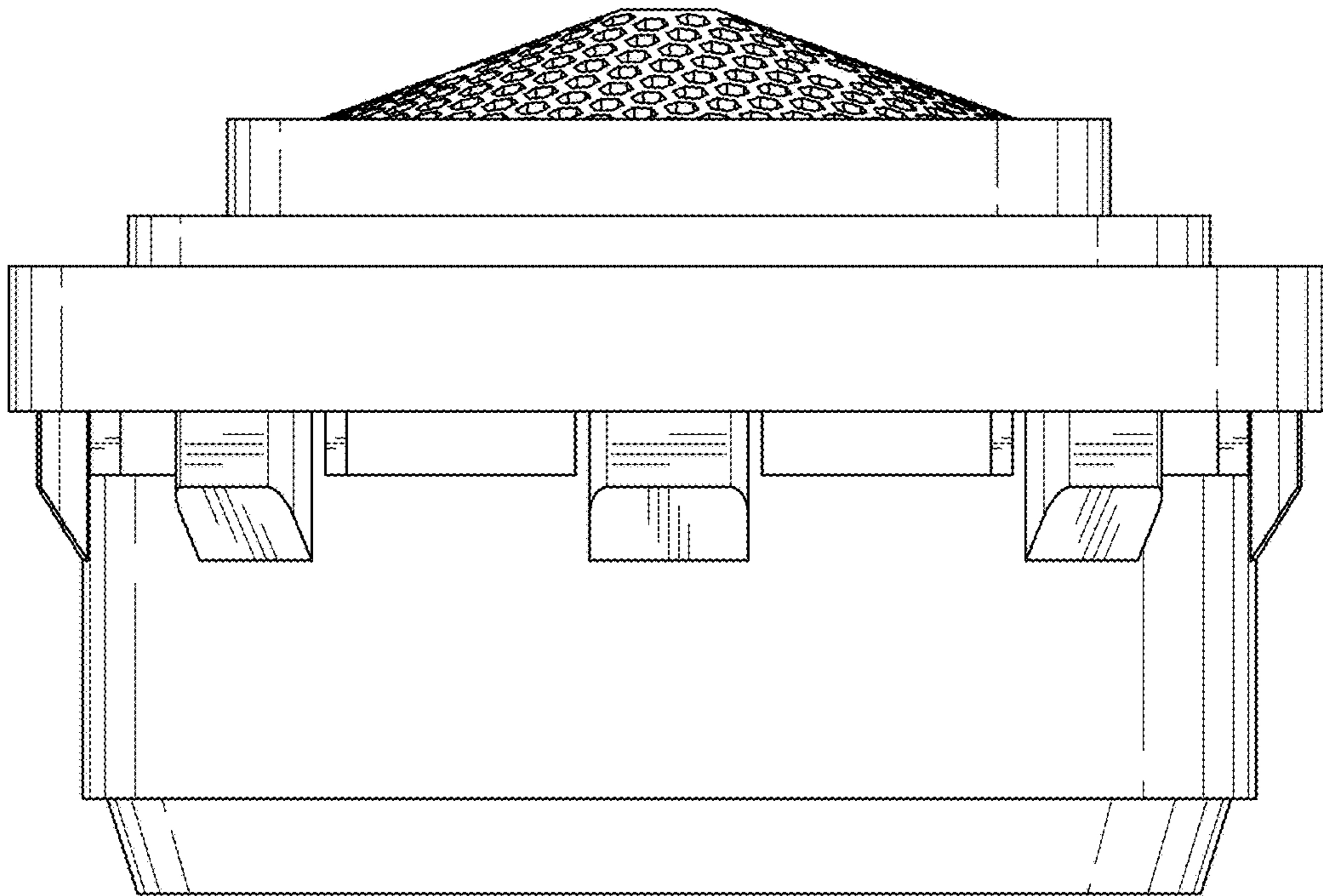


Fig. 7

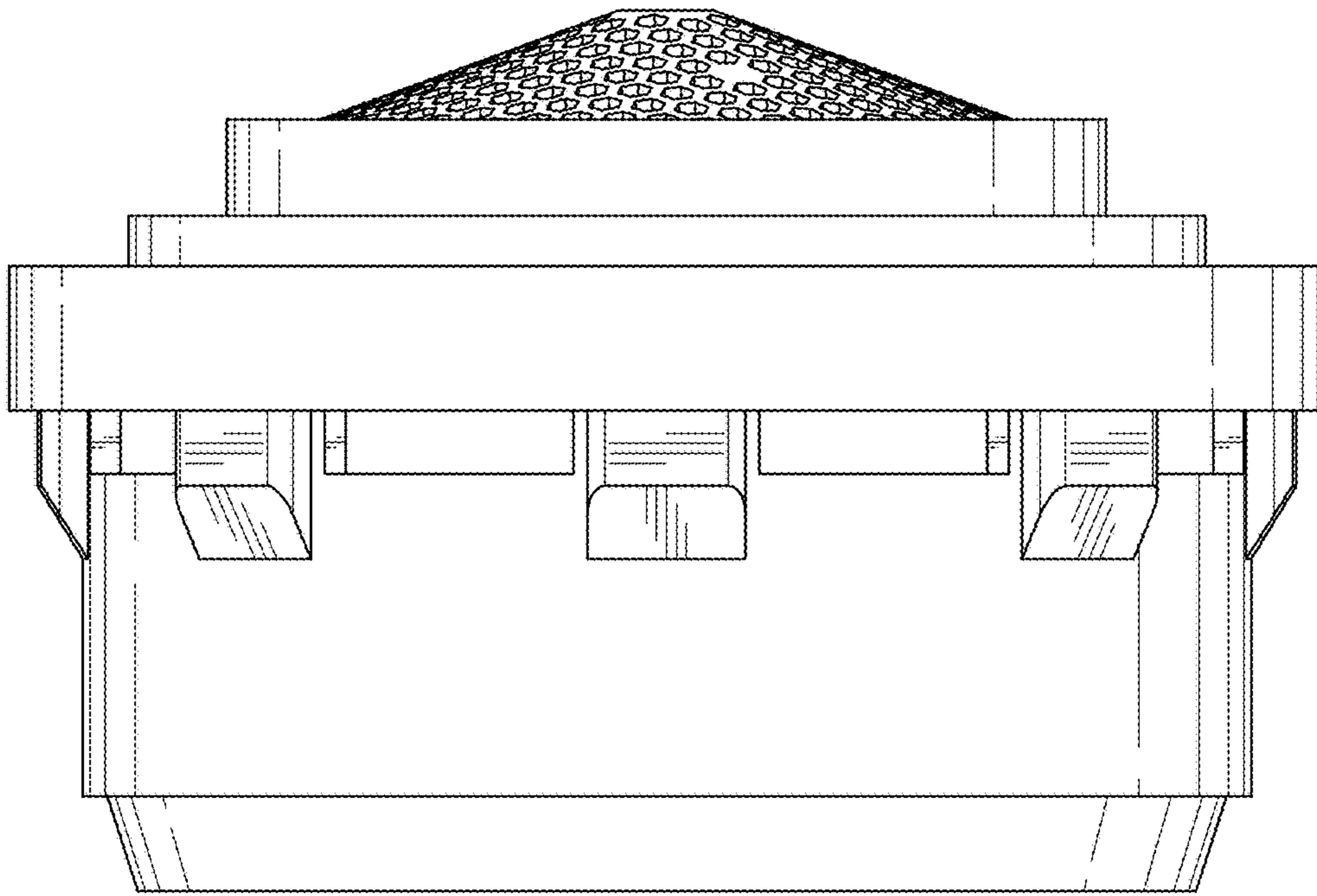


Fig. 8