



US00D776241S

(12) **United States Design Patent**
Wu et al.

(10) **Patent No.:** **US D776,241 S**

(45) **Date of Patent:** **** Jan. 10, 2017**

(54) **CONCEALED AERATOR**

D728,739 S * 5/2015 Blum D23/213
D733,255 S * 6/2015 Blum D23/213
D745,641 S * 12/2015 Blum D23/213

(71) Applicants: **XIAMEN SOLEX HIGH-TECH INDUSTRIES CO., LTD.**, Xiamen, Fujian (CN); **Huasong Zhou**, Xiamen, Fujian (CN)

* cited by examiner

Primary Examiner — Robin V Webster

(72) Inventors: **Shilong Wu**, Fujian (CN); **Guosong Zhao**, Fujian (CN); **Wenxing Chen**, Fujian (CN)

(74) *Attorney, Agent, or Firm* — Rabin & Berdo, P.C.

(73) Assignees: **XIAMEN SOLEX HIGH-TECH INDUSTRIES CO., LTD.**, Xiamen (CN); **Huasong Zhou**, Xiamen (CN)

(57) **CLAIM**

The ornamental design for a concealed aerator, as shown.

(**) Term: **15 Years**

DESCRIPTION

(21) Appl. No.: **29/544,986**

(22) Filed: **Nov. 9, 2015**

(51) **LOC (10) Cl.** **23-01**

(52) **U.S. Cl.**
USPC **D23/213**

(58) **Field of Classification Search**
USPC D23/213, 249; 239/428.5
CPC E03C 1/08; E03C 1/084
See application file for complete search history.

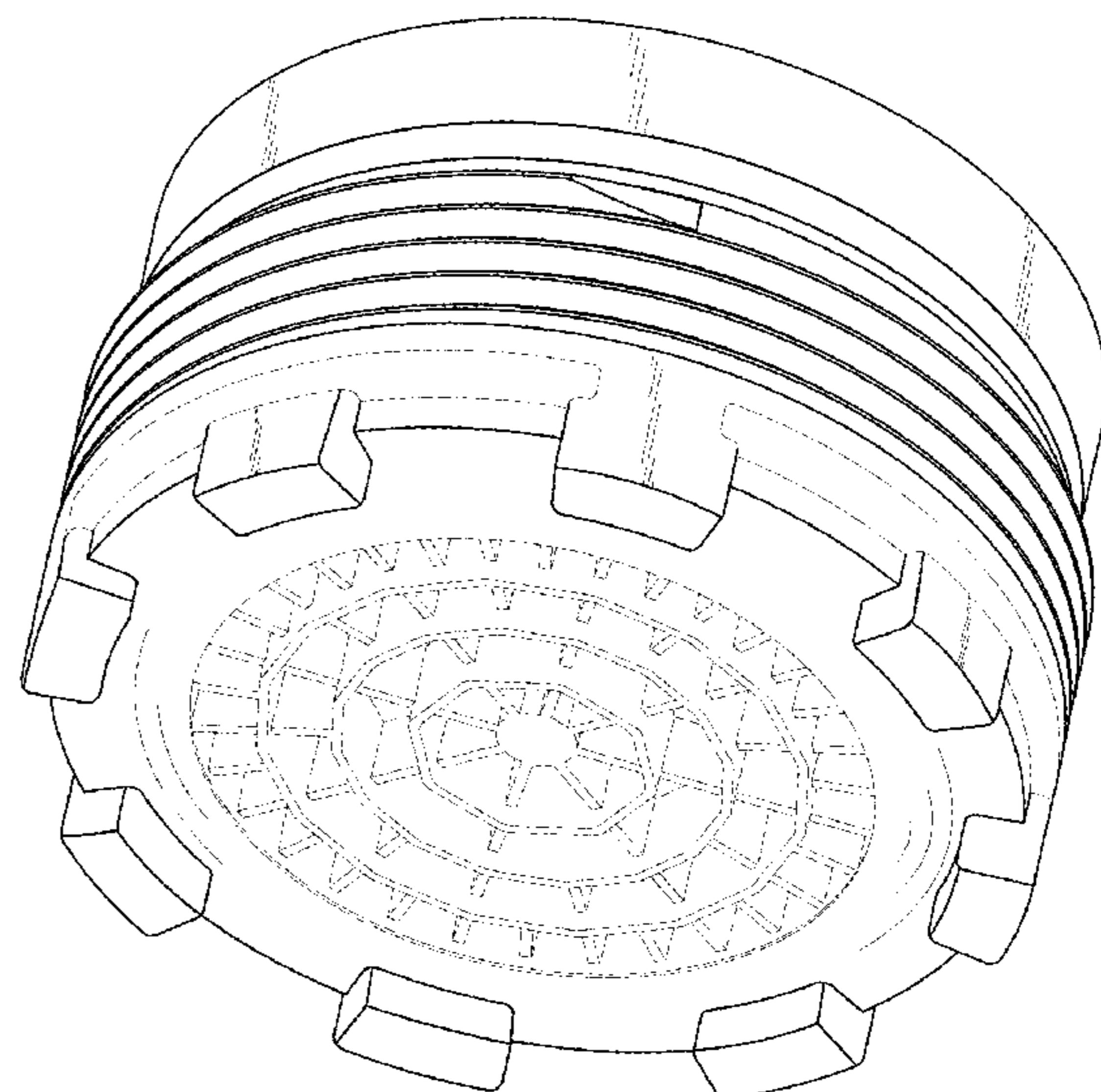
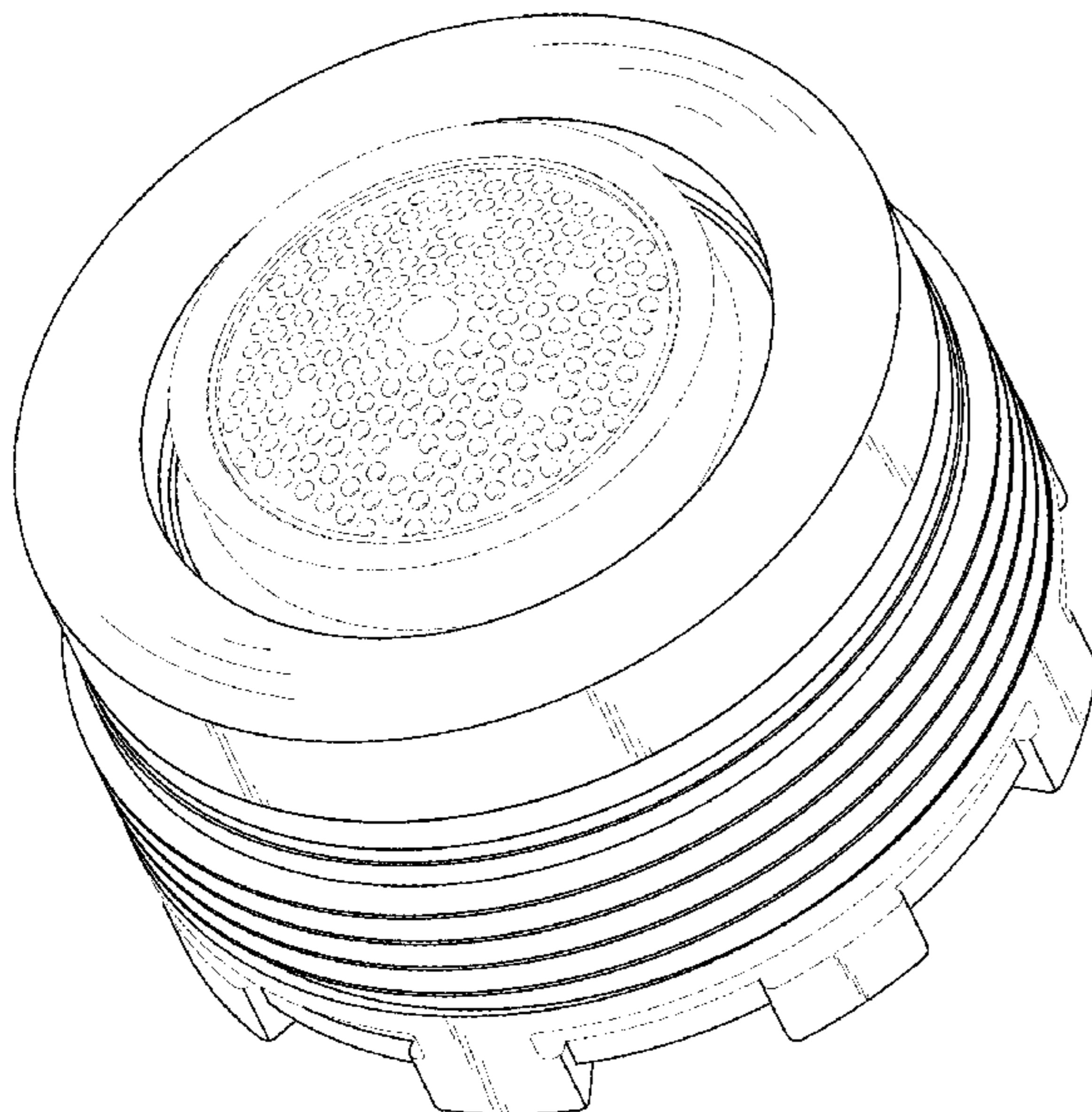
FIG. 1. is a front view of a concealed aerator showing my new design thereof;
FIG. 2. is a rear side view thereof;
FIG. 3. is a left side view thereof;
FIG. 4. is a right side view thereof;
FIG. 5. is a top plan view thereof,
FIG. 6. is a bottom plan view thereof;
FIG. 7. is a front-top perspective view thereof; and,
FIG. 8. is a left-bottom perspective view thereof.
The broken line showing of environment in all Figures is for illustrative purposes only and forms no part of the claimed design.

(56) **References Cited**

U.S. PATENT DOCUMENTS

8,919,680 B2 * 12/2014 Grether E03C 1/084
239/428.5
D728,738 S * 5/2015 Birmelin D23/213

1 Claim, 8 Drawing Sheets



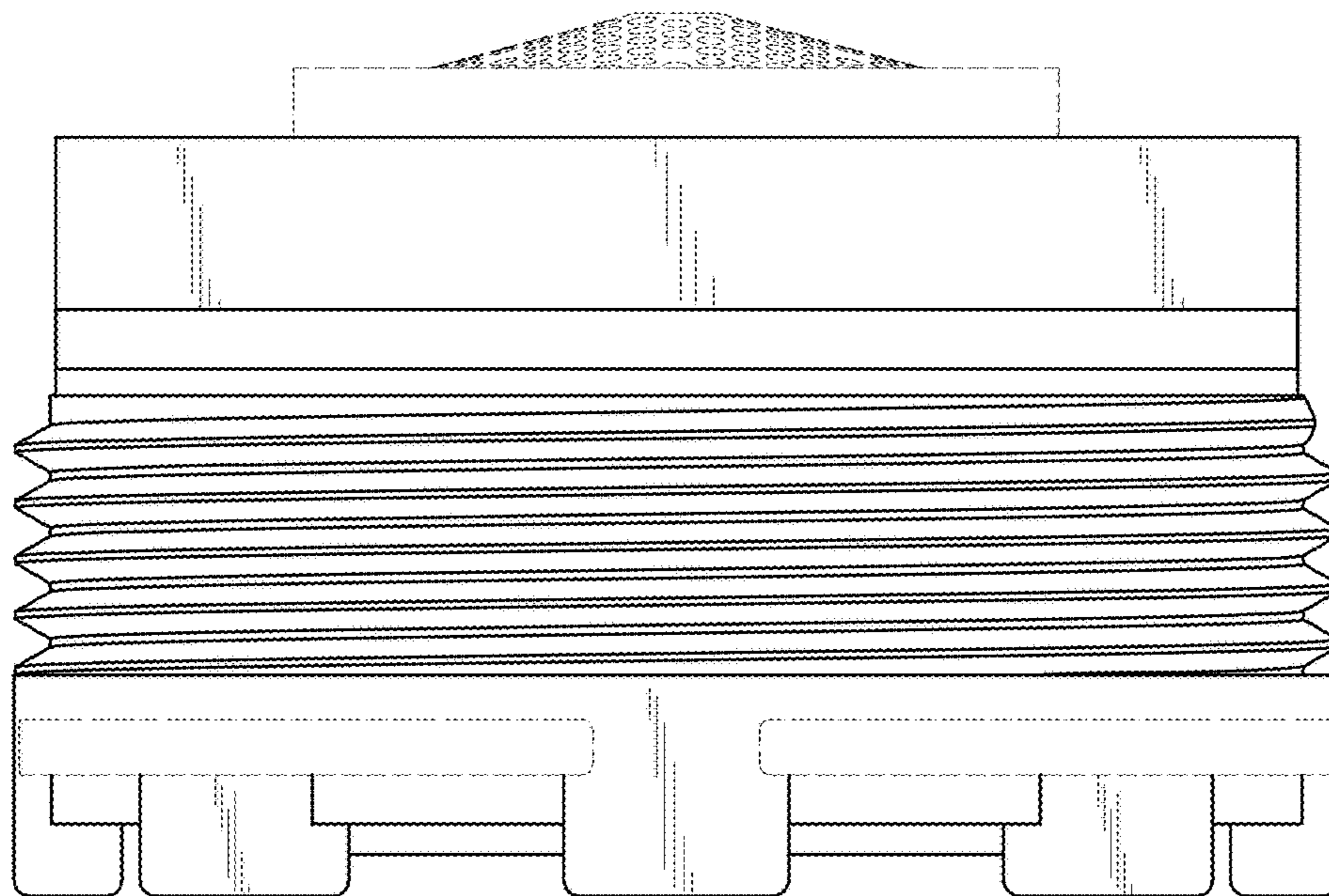


FIG. 1

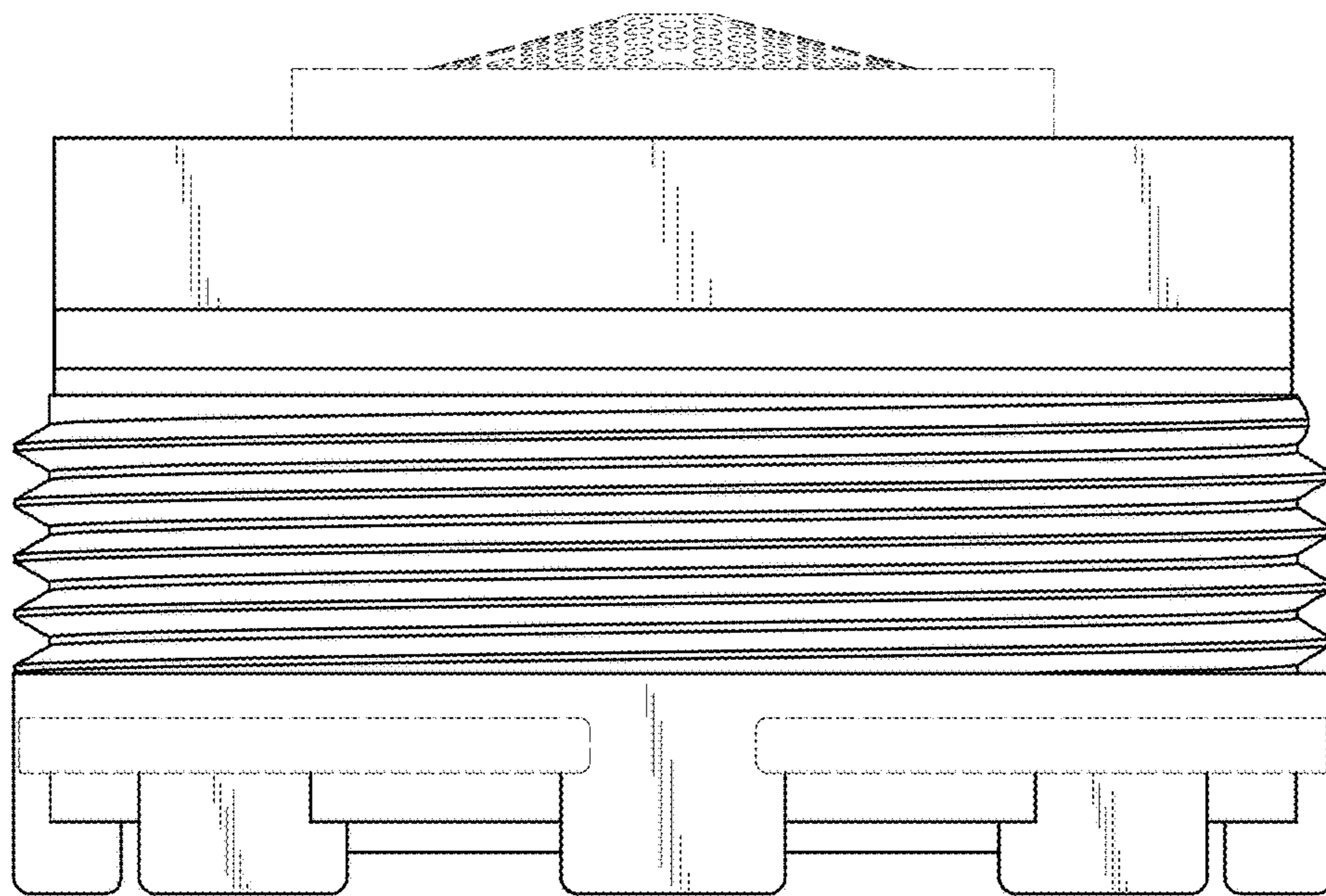


FIG. 2

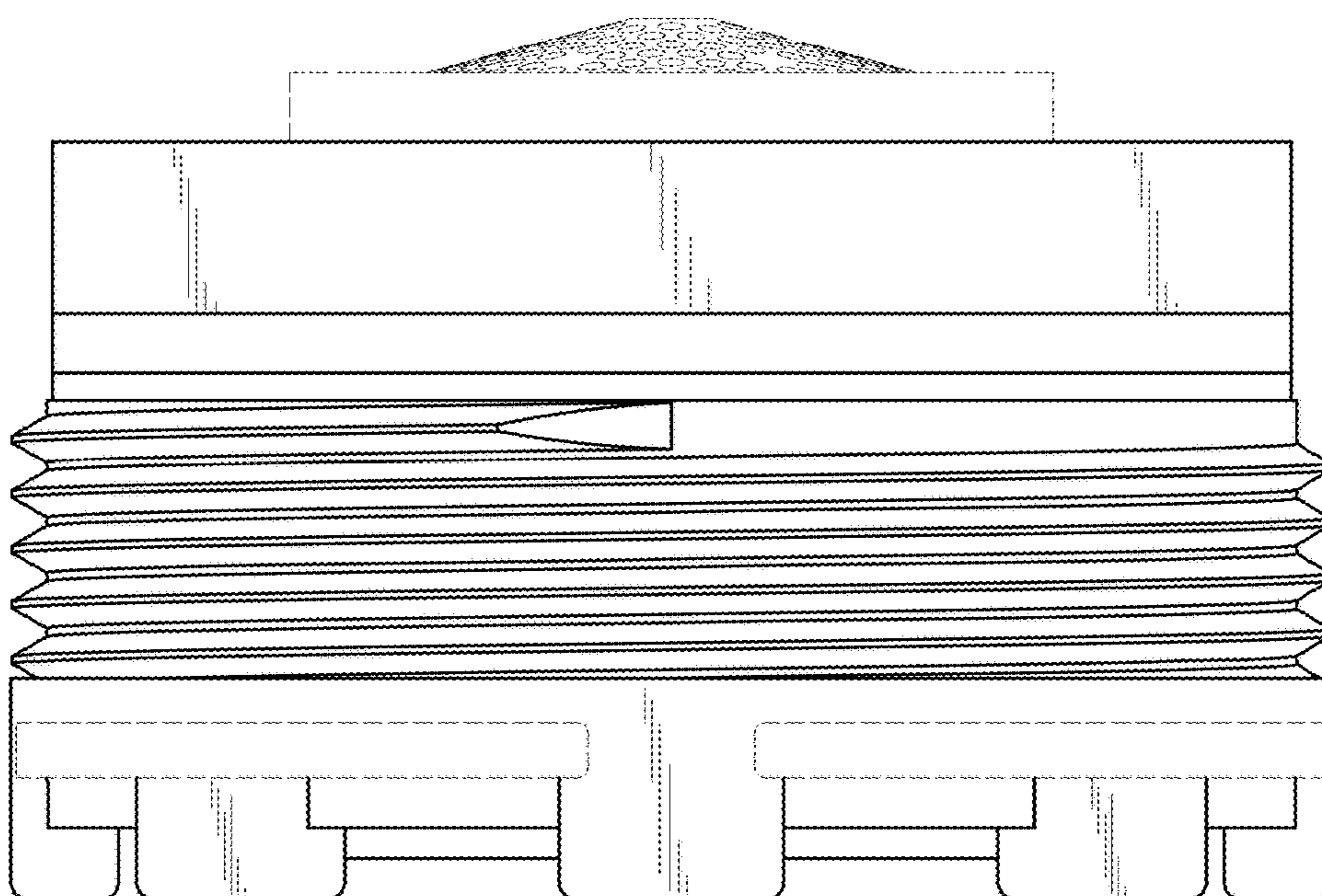


FIG. 3

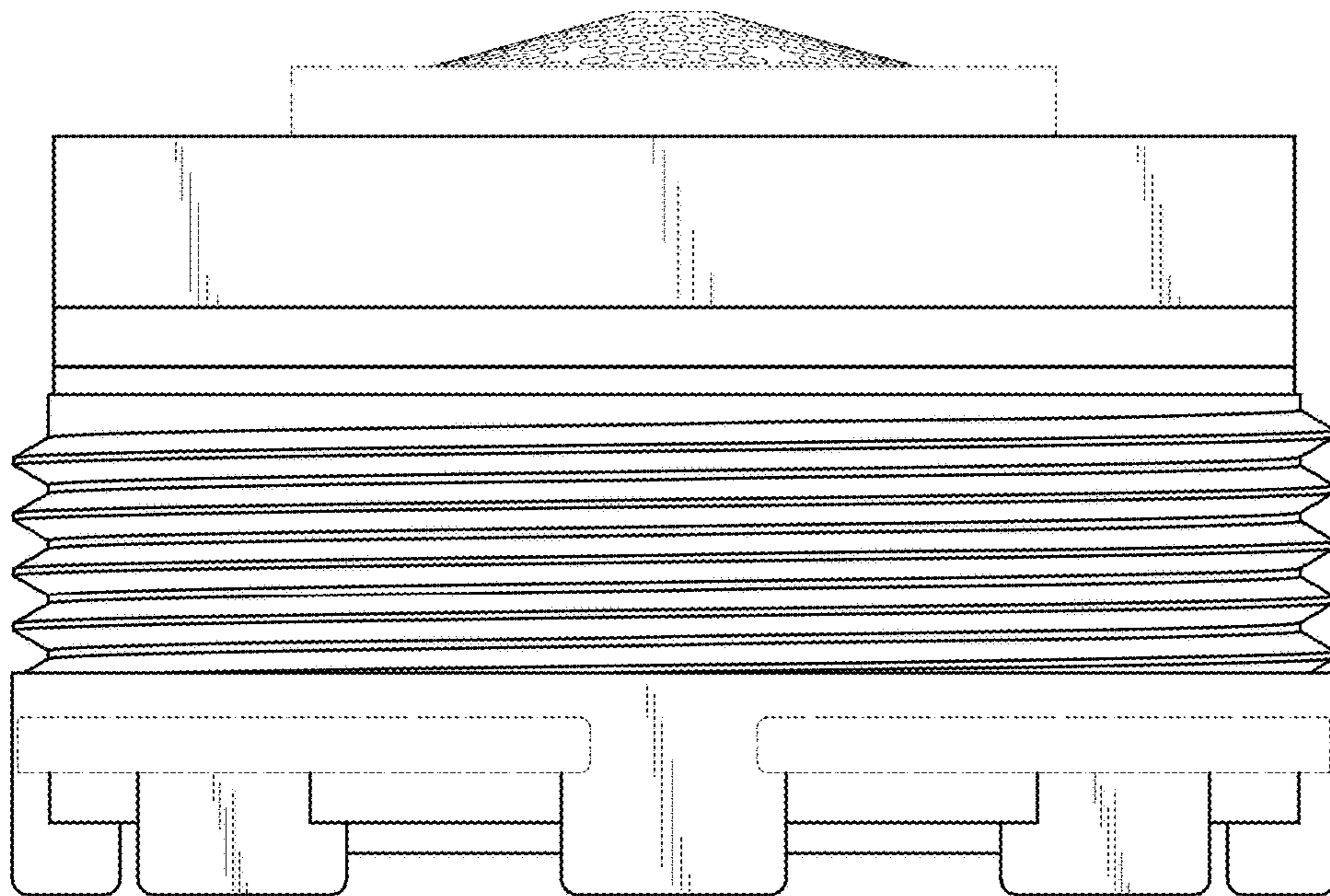


FIG. 4

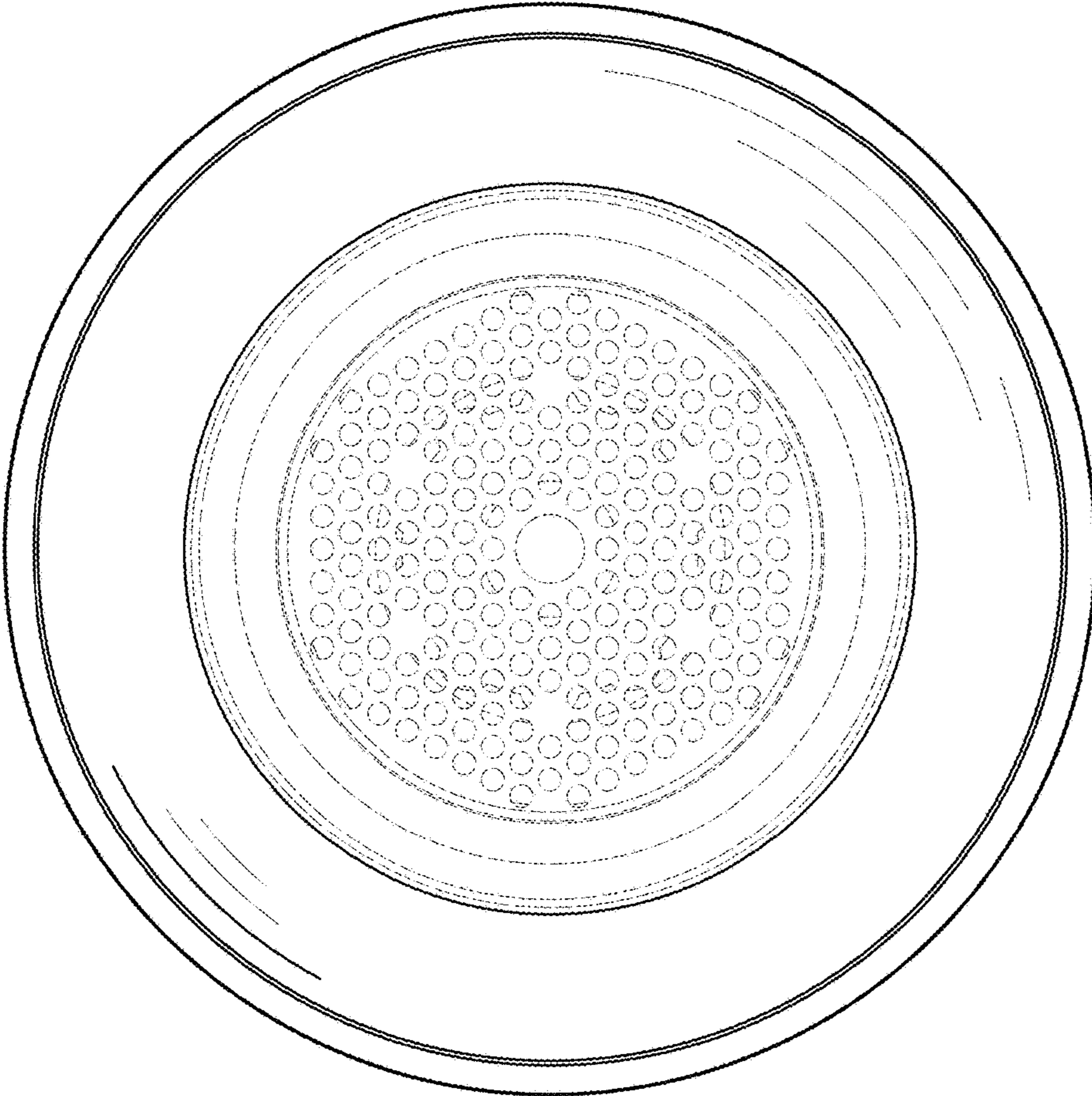


FIG. 5

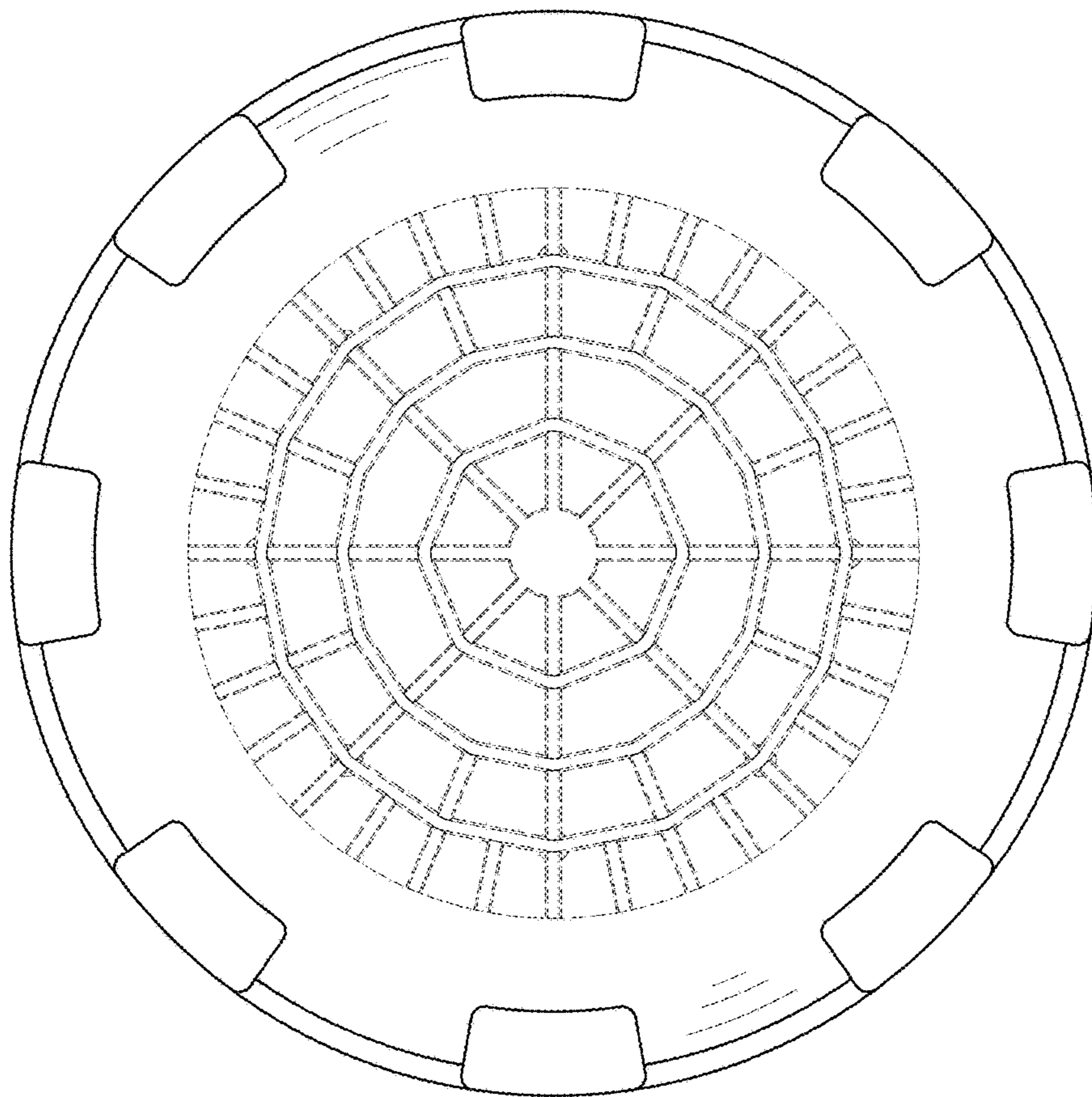


FIG. 6

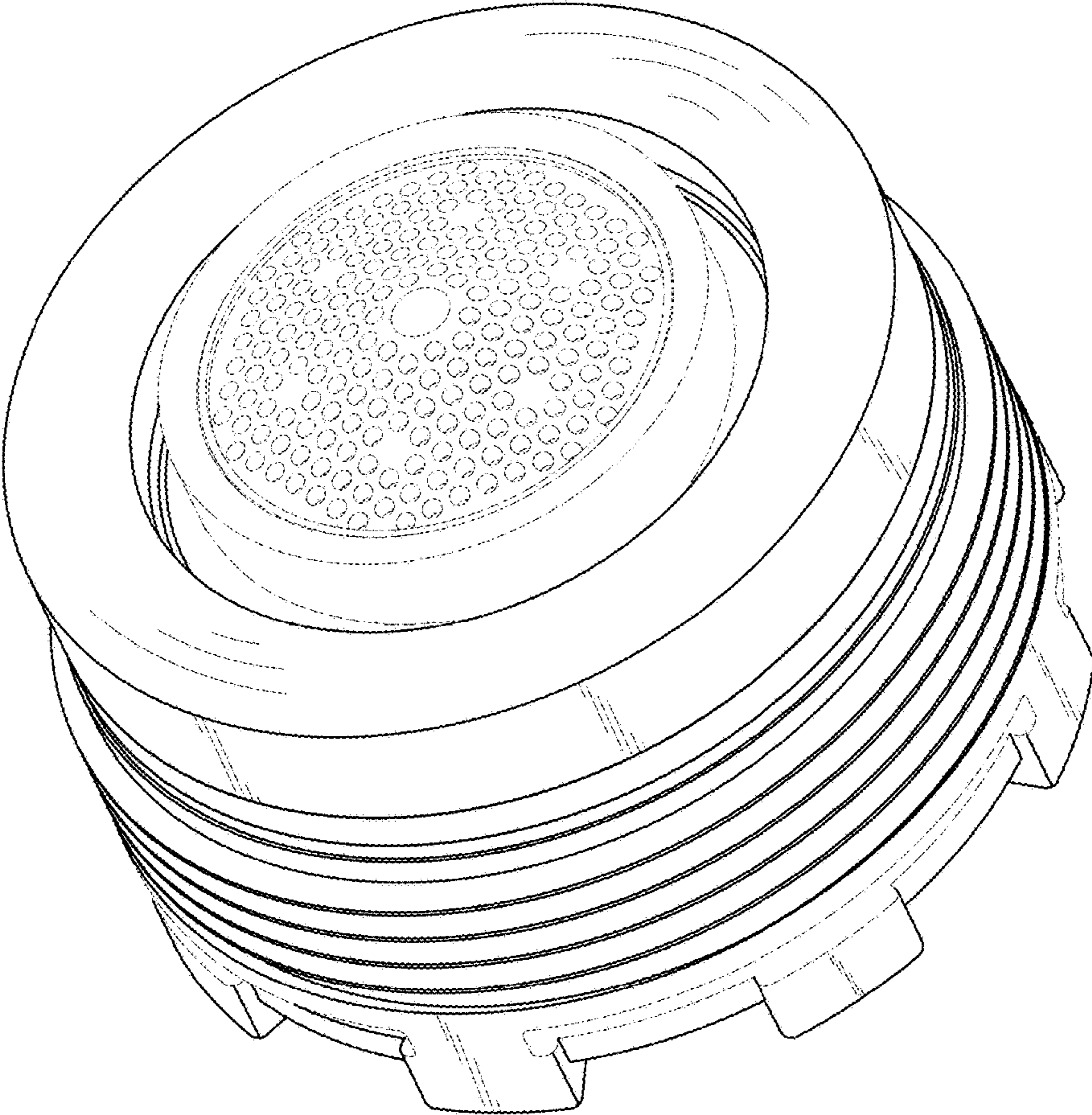


FIG. 7

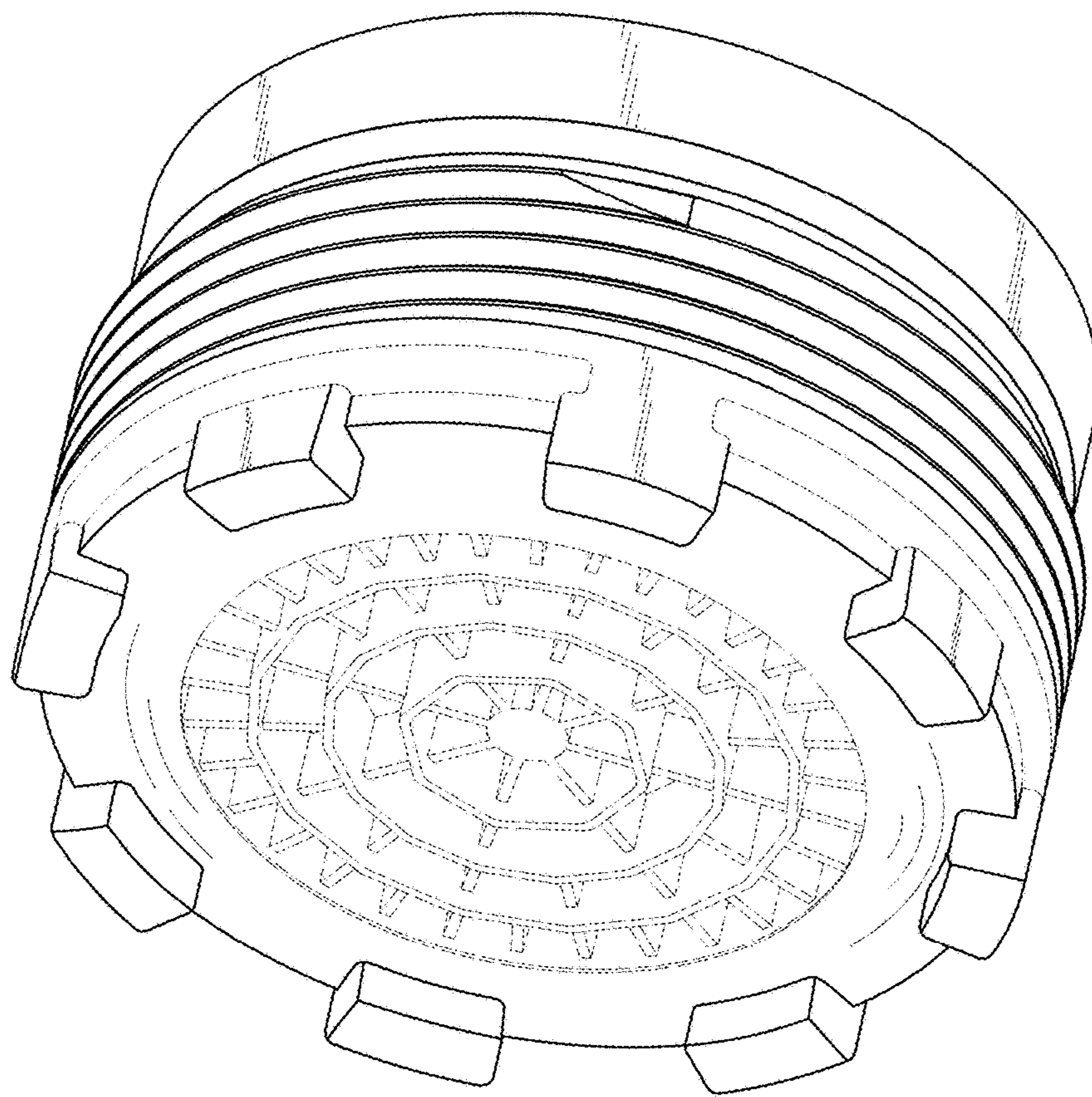


FIG. 8