



US00D776240S

(12) **United States Design Patent**
Huang et al.

(10) **Patent No.:** **US D776,240 S**
(45) **Date of Patent:** **** Jan. 10, 2017**

(54) **CONSTANT FLOWING AERATOR**

(71) Applicants: **XIAMEN SOLEX HIGH-TECH INDUSTRIES CO., LTD.**, Xiamen, Fujian (CN); **Huasong Zhou**, Xiamen, Fujian (CN)

(72) Inventors: **Feilong Huang**, Fujian (CN); **Guosong Zhao**, Fujian (CN); **Wenxing Chen**, Fujian (CN)

(73) Assignees: **XIAMEN SOLEX HIGH-TECH INDUSTRIES CO., LTD.**, Xiamen (CN); **Huasong Zhou**, Xiamen (CN)

(**) Term: **15 Years**

(21) Appl. No.: **29/544,983**

(22) Filed: **Nov. 9, 2015**

(51) **LOC (10) Cl.** **23-01**

(52) **U.S. Cl.**
USPC **D23/213**

(58) **Field of Classification Search**
USPC D23/213, 249; 239/428.5
CPC E03C 1/08; E03C 1/084
See application file for complete search history.

(56) **References Cited**

U.S. PATENT DOCUMENTS

8,342,429 B2 * 1/2013 Grether E03C 1/084
239/428.5
D691,238 S * 10/2013 Grether D23/213

D692,529 S * 10/2013 Grether D23/213
D697,175 S * 1/2014 Grether D23/213
8,919,680 B2 * 12/2014 Grether E03C 1/084
239/428.5
9,016,602 B2 * 4/2015 Grether E03C 1/08
239/428.5
D752,709 S * 3/2016 Schurle D23/213
D752,710 S * 3/2016 Tempel D23/213

* cited by examiner

Primary Examiner — Robin V Webster

(74) *Attorney, Agent, or Firm* — Rabin & Berdo, P.C.

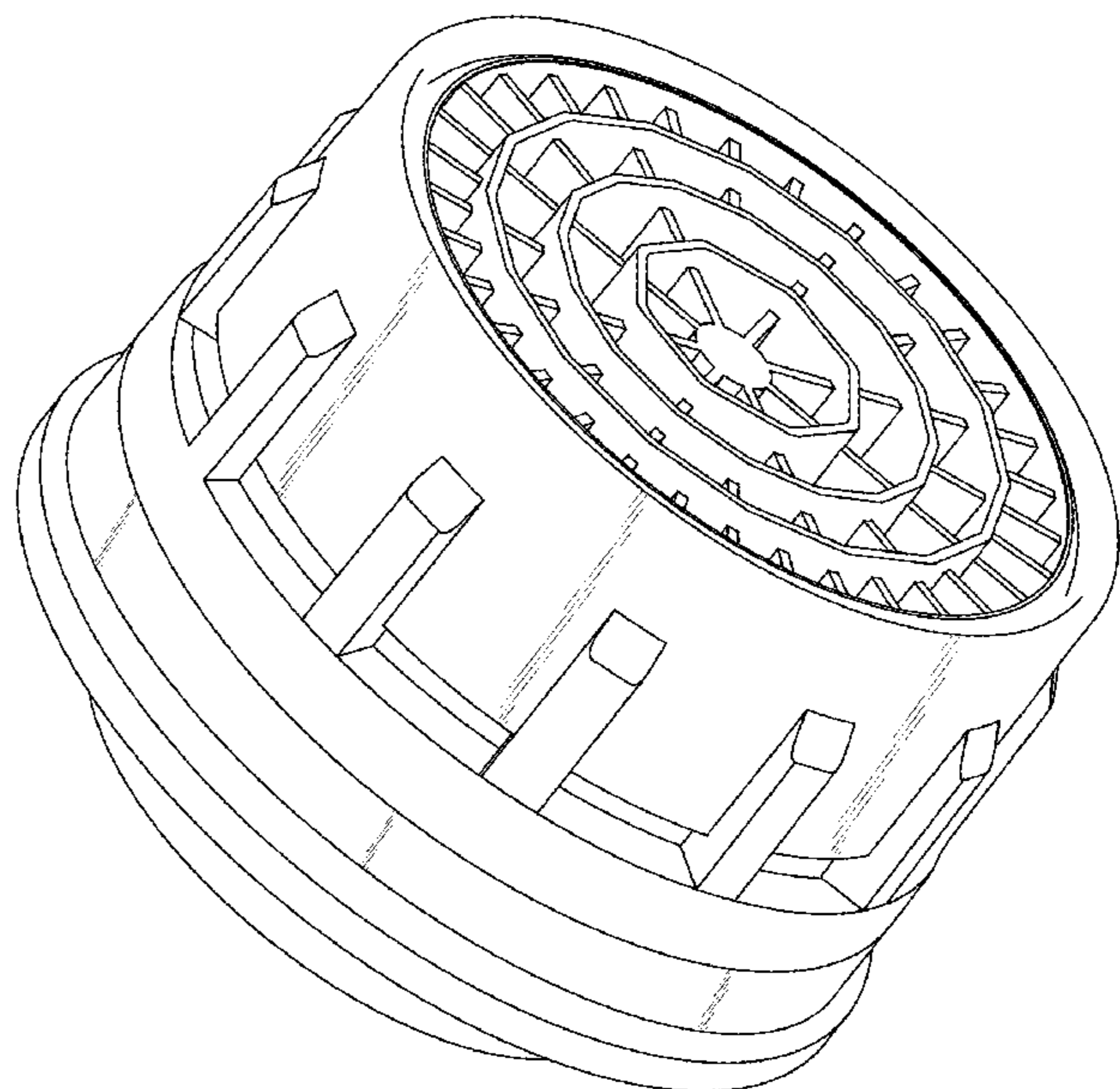
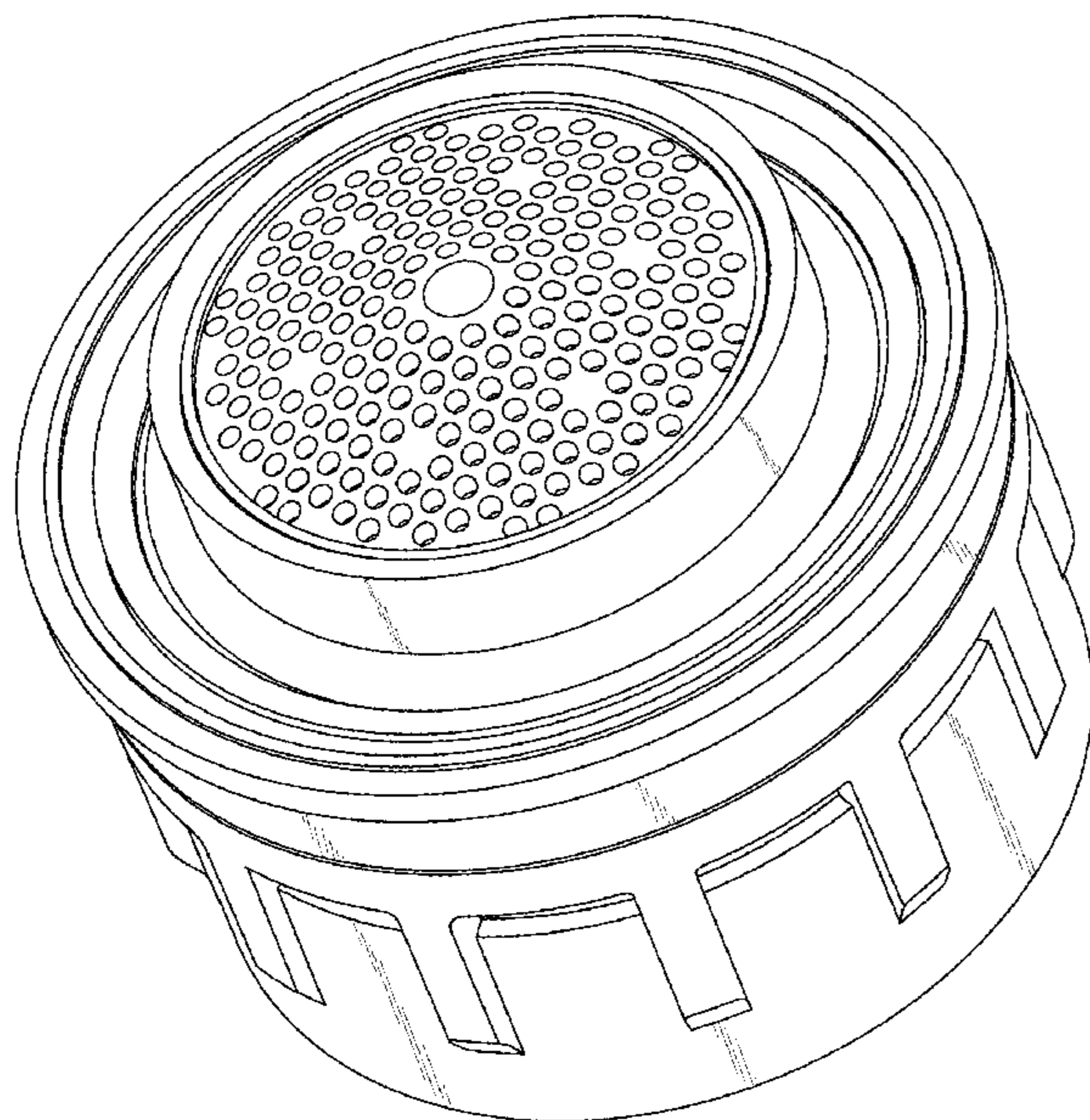
(57) **CLAIM**

The ornamental design for a constant flowing aerator, as shown.

DESCRIPTION

FIG. 1. is a front view of a constant flowing aerator showing my new design thereof;
FIG. 2. is a rear side view thereof;
FIG. 3. is a left side view thereof;
FIG. 4. is a right side view thereof;
FIG. 5. is a top plan view thereof,
FIG. 6. is a bottom plan view thereof;
FIG. 7. is a front-top perspective view thereof; and,
FIG. 8. is a front-bottom perspective view thereof.

1 Claim, 8 Drawing Sheets



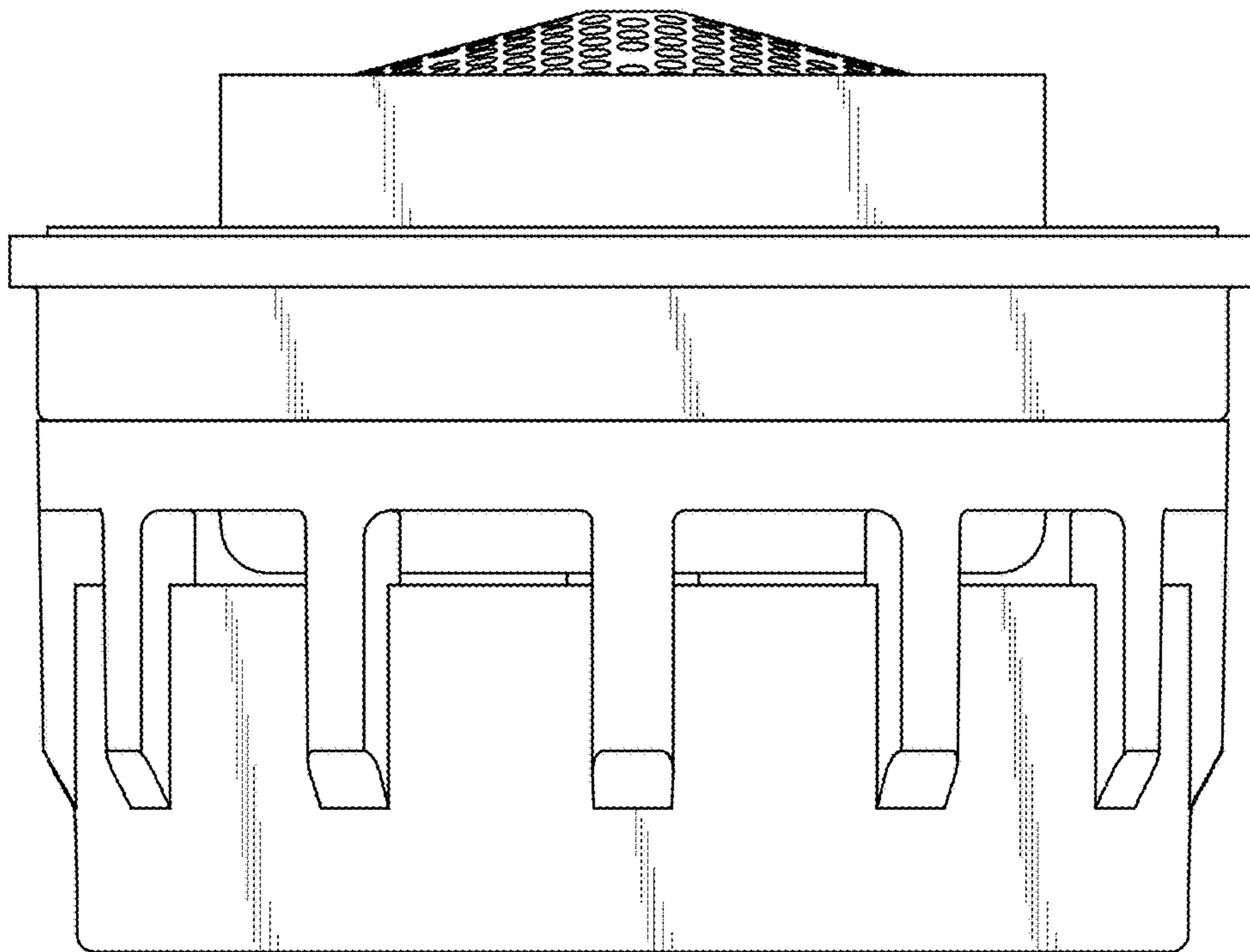


FIG. 1

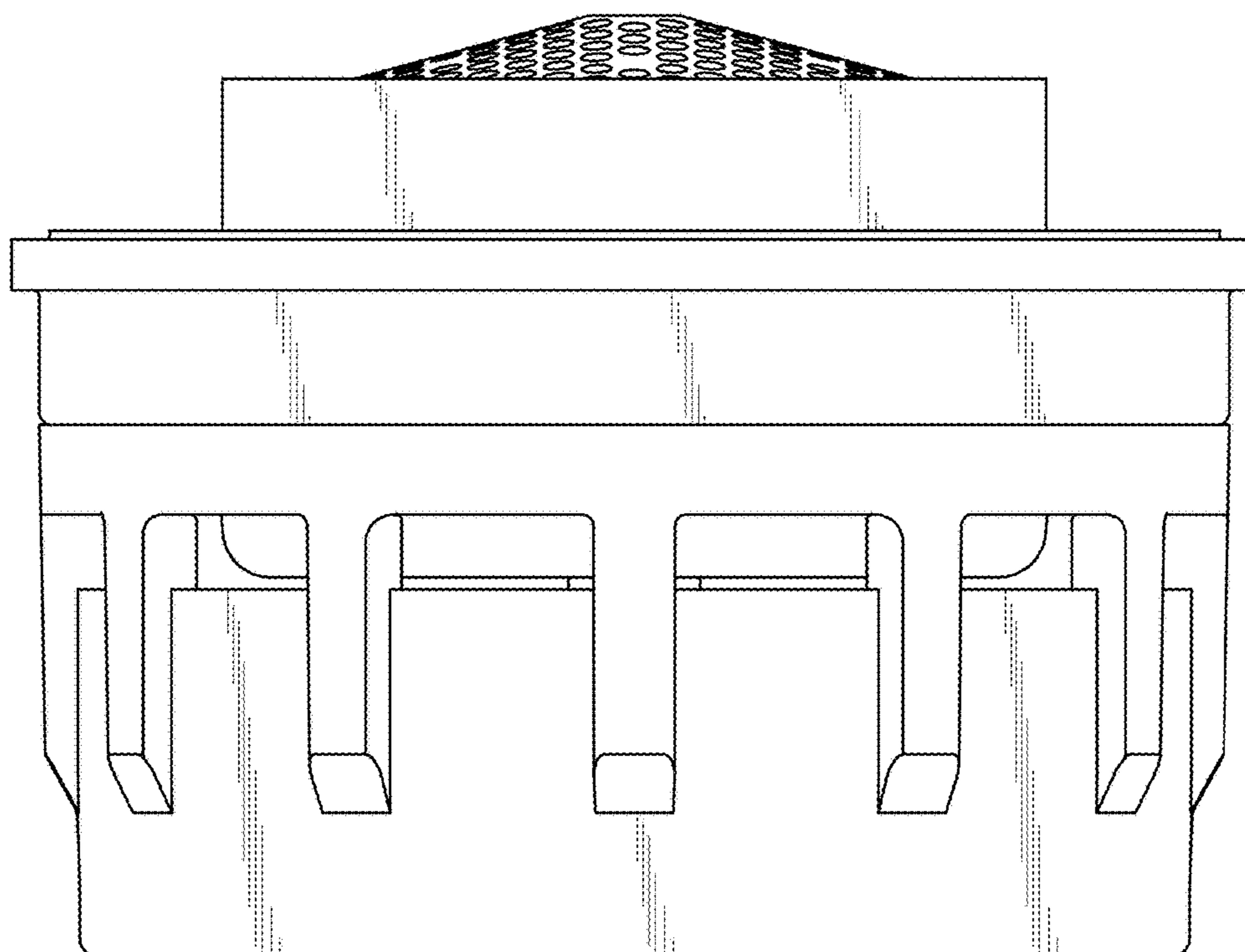


FIG. 2

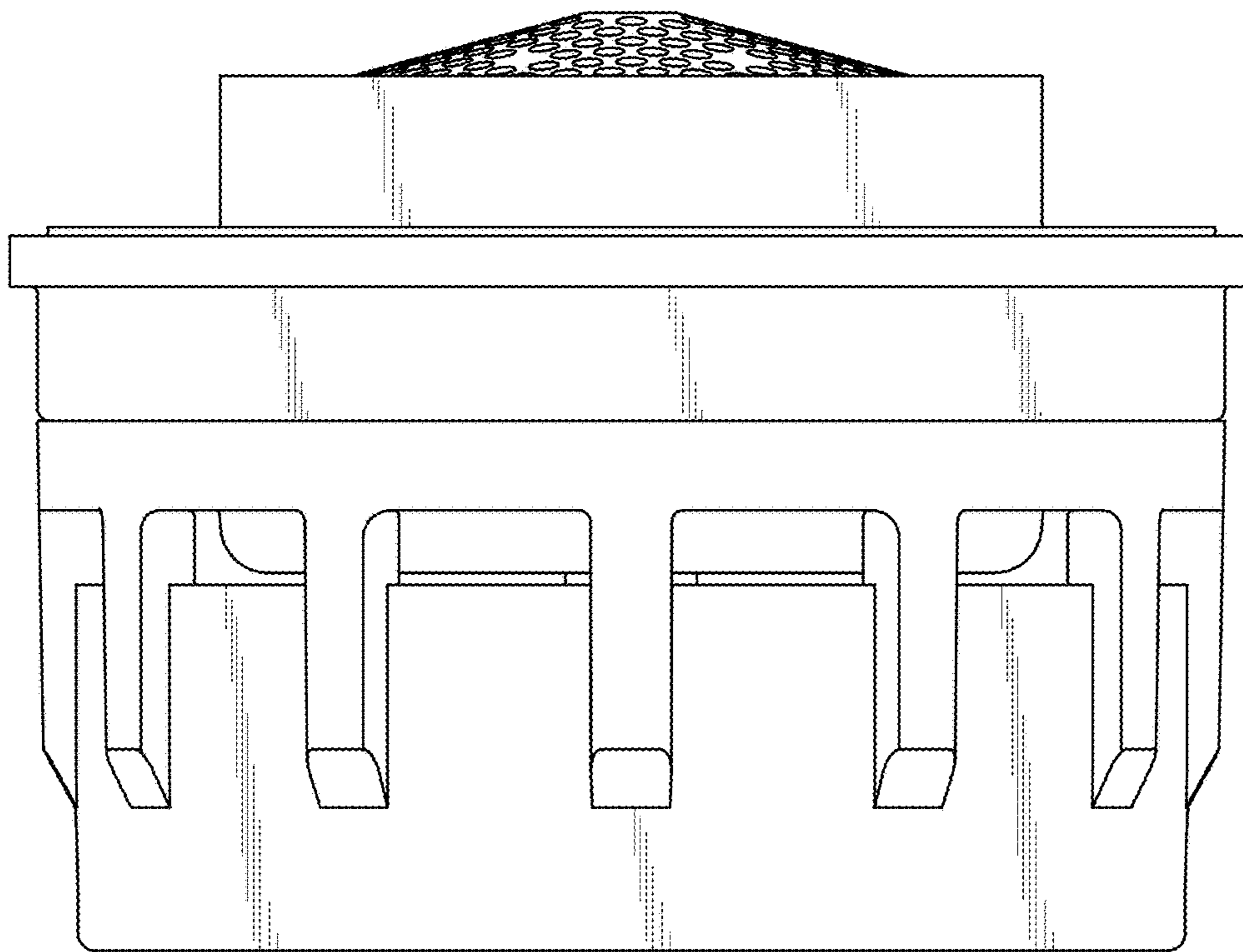


FIG. 3

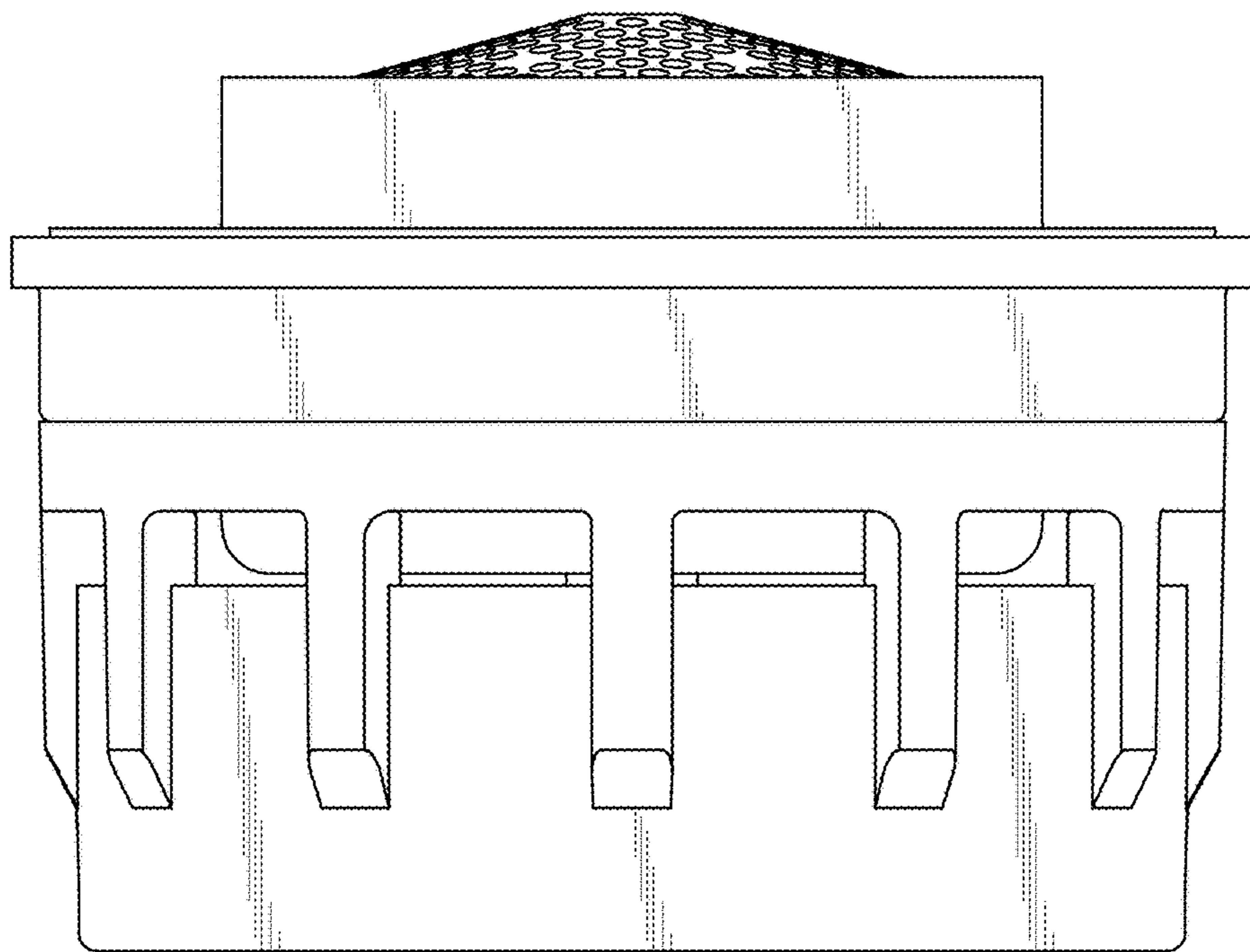


FIG. 4

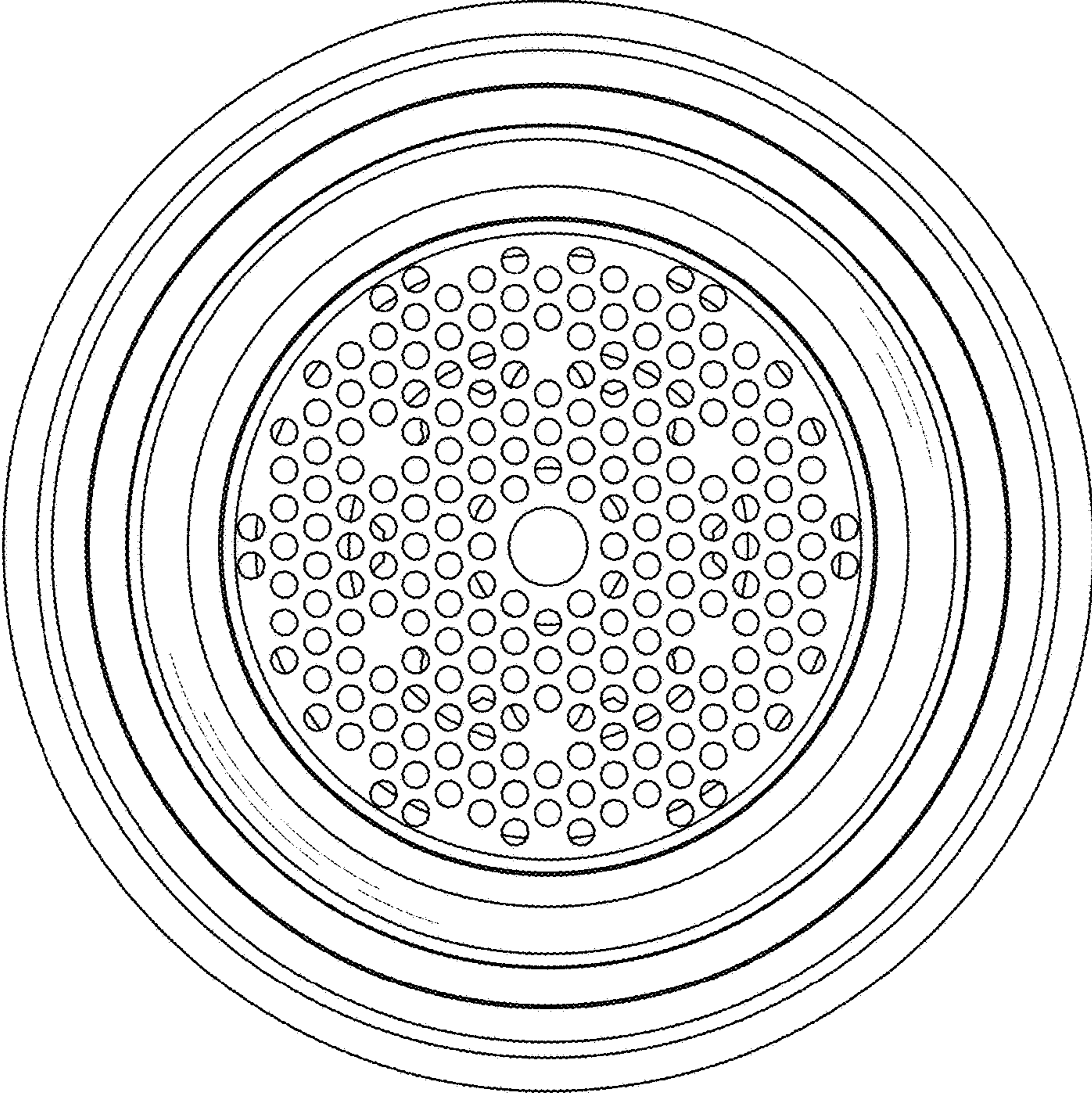


FIG. 5

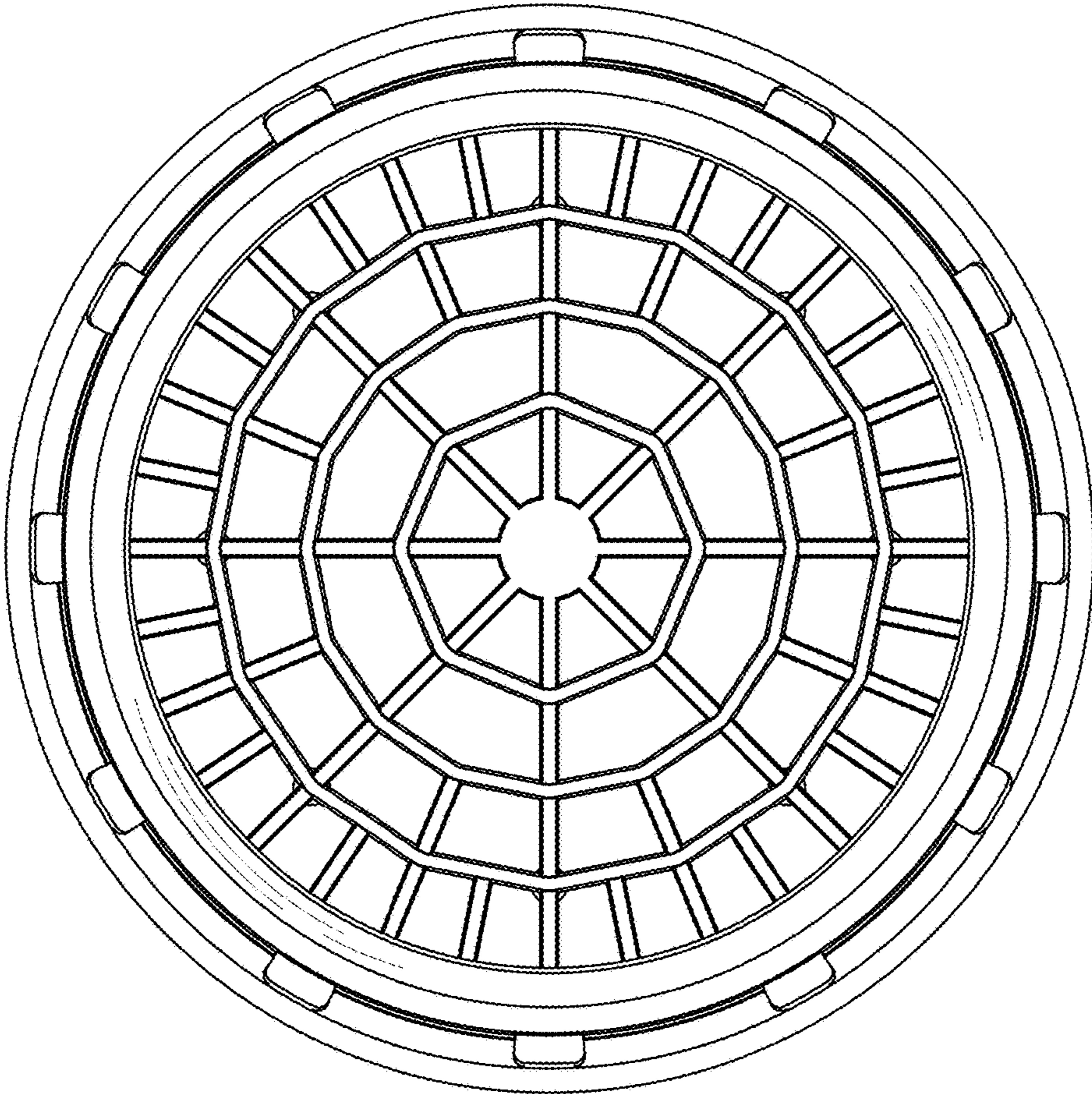


FIG. 6

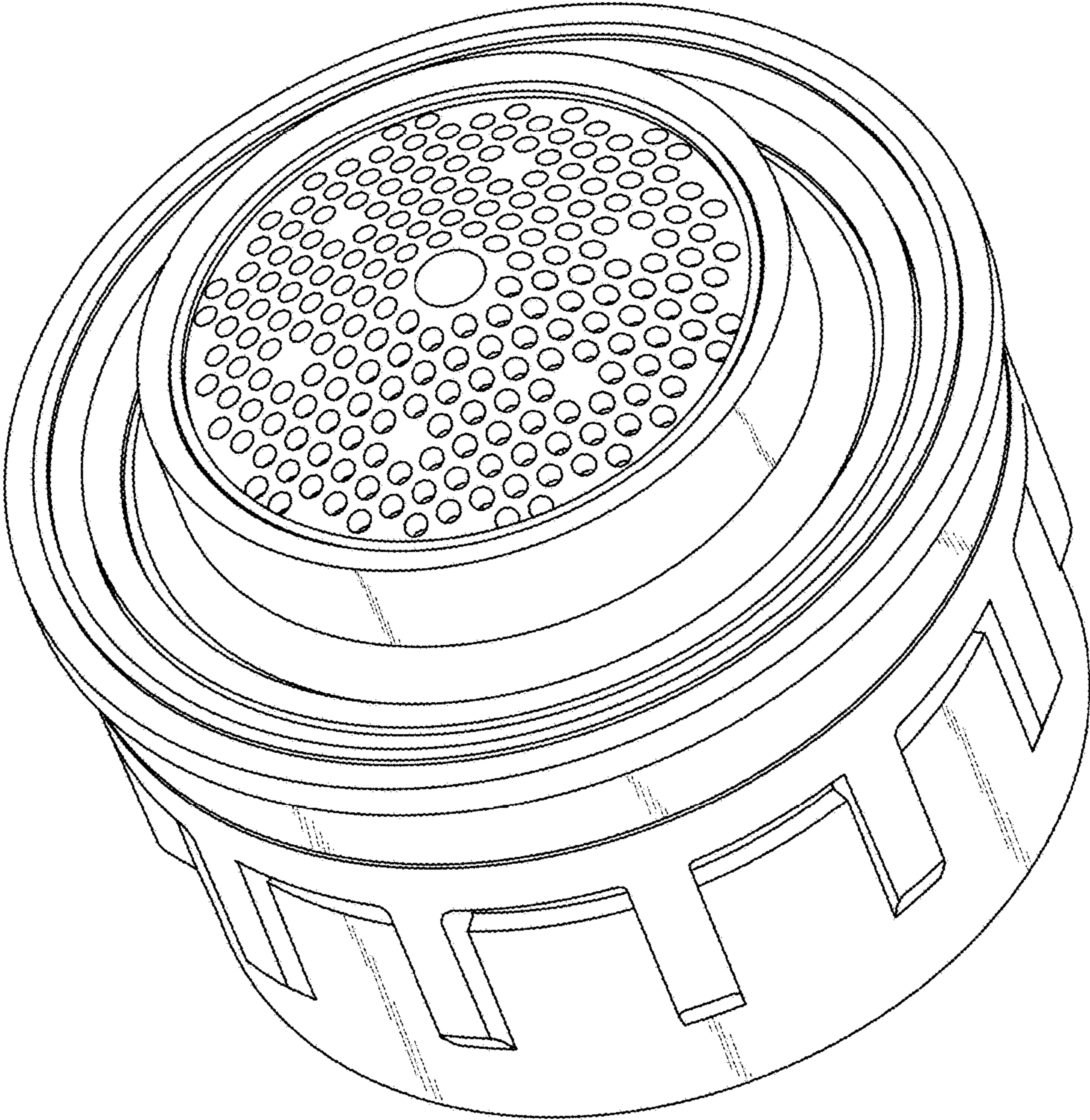


FIG. 7

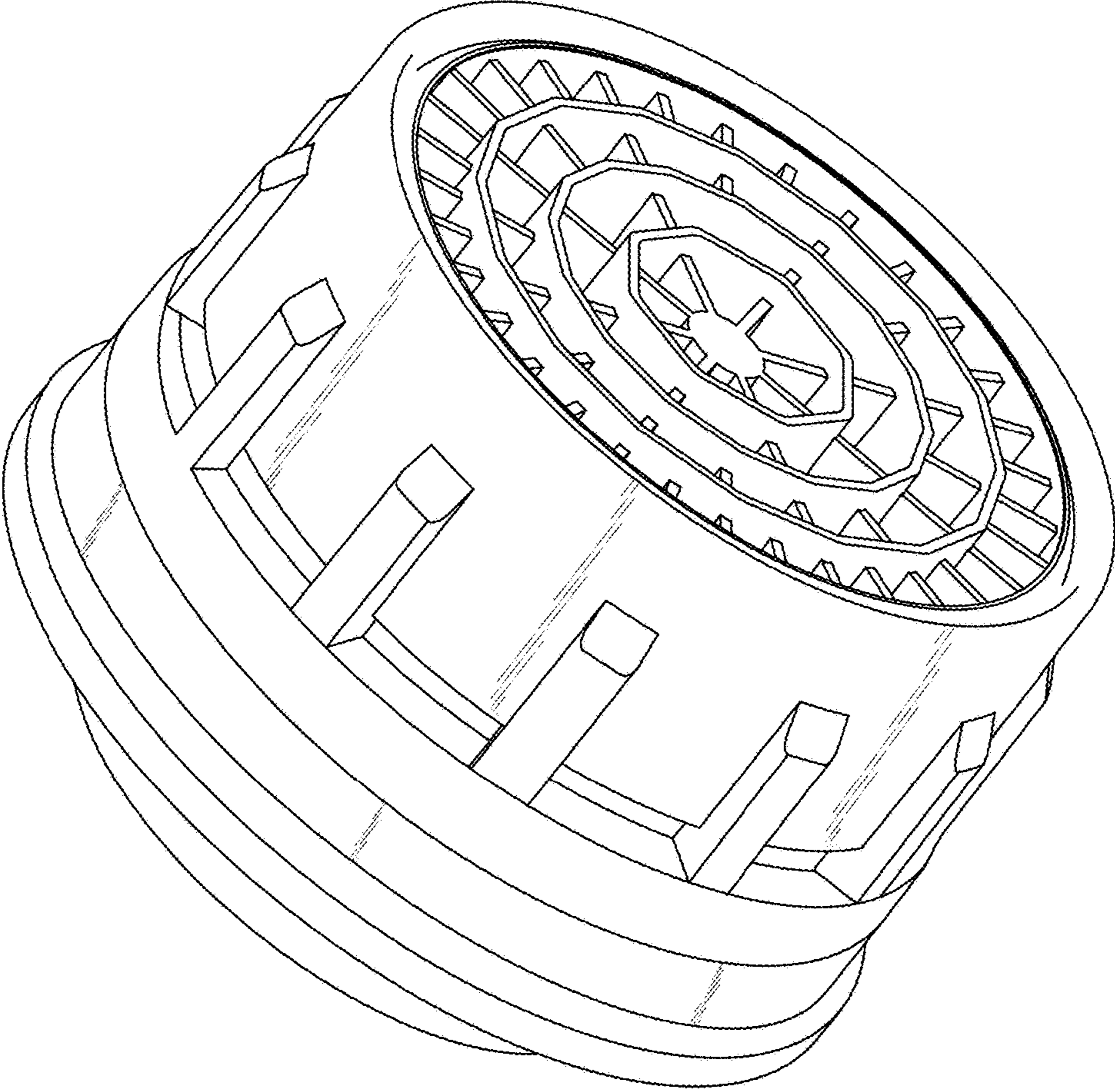


FIG. 8