



US00D776239S

(12) **United States Design Patent**
Westrick et al.

(10) **Patent No.:** **US D776,239 S**
(45) **Date of Patent:** **** Jan. 10, 2017**

- (54) **BEVERAGE TOOL**
- (71) Applicant: **True Fabrications, Inc.**, Seattle, WA (US)
- (72) Inventors: **Amy Jo Westrick**, Seattle, WA (US);
Erin Marie Malaspino, Seattle, WA (US)
- (73) Assignee: **TRUE FABRICATIONS, INC.**, Seattle, WA (US)
- (**) Term: **14 Years**
- (21) Appl. No.: **29/525,087**
- (22) Filed: **Apr. 27, 2015**
- (51) **LOC (10) Cl.** **23-01**
- (52) **U.S. Cl.**
USPC **D23/209**
- (58) **Field of Classification Search**
USPC D23/207, 209; 210/232, 282, 266
CPC C02F 1/003; C02F 2307/02; C02F 1/002
See application file for complete search history.

- (56) **References Cited**
U.S. PATENT DOCUMENTS
- 3,335,917 A * 8/1967 Knight A45F 3/16
210/453
- 5,919,365 A * 7/1999 Collette A45F 3/20
210/419
- 6,153,096 A * 11/2000 Nonren, Jr. C02F 1/003
210/238
- 8,216,462 B2 * 7/2012 O'Brien C02F 1/002
210/106
- D686,296 S * 7/2013 Melzer D23/209

- 8,597,512 B2 * 12/2013 Sturgess C02F 1/002
210/245
- 8,845,895 B1 * 9/2014 Ghiassi C02F 1/002
210/232
- D716,414 S * 10/2014 Glen D23/209
- 9,004,292 B2 * 4/2015 Carter A47G 19/2266
210/263
- D745,308 S * 12/2015 Roth D23/209
- D750,736 S * 3/2016 Enomoto D23/207
- D753,791 S * 4/2016 Rashid D23/209

* cited by examiner

Primary Examiner — Robin V Webster
(74) *Attorney, Agent, or Firm* — Vicky Kaur Bajwa

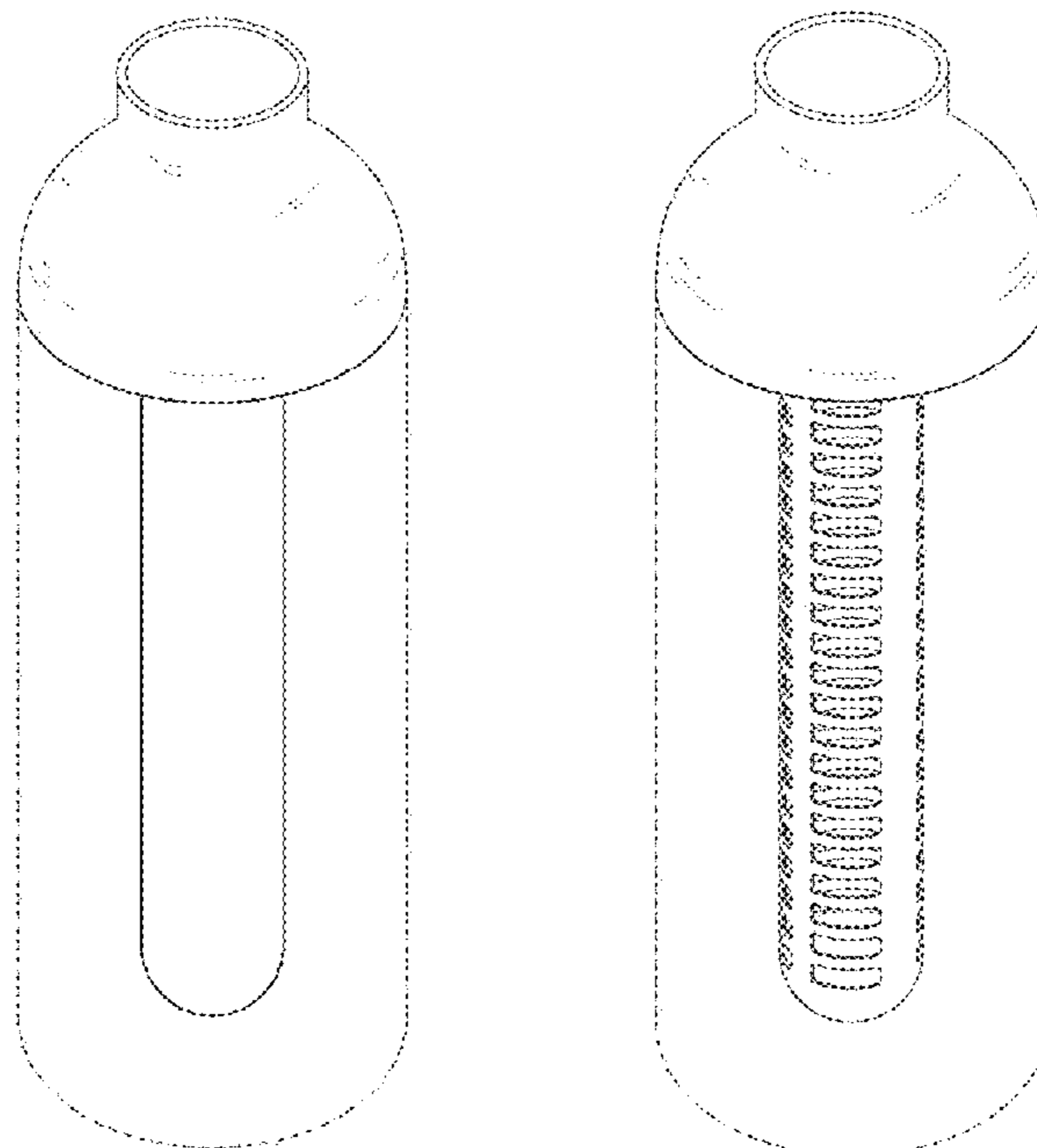
(57) **CLAIM**

The ornamental design for a beverage tool, as shown and described.

DESCRIPTION

FIG. 1 is a top perspective view of a beverage tool; FIG. 2 is a top view of the beverage tool of FIG. 1; FIG. 3 is a bottom view of the beverage tool of FIG. 1; FIG. 4 is a front elevation view of the beverage tool of FIG. 1, the rear, left side, and right side being a mirror image; FIG. 5 is a top perspective view of a second embodiment of the beverage tool of FIG. 1 showing a permeable material; and, FIG. 6 is a front elevation view of the beverage tool of FIG. 5, the rear, left side, and right side being a mirror image. The broken line showing of the bottle body is included for the purpose of illustrating and forms no part of the claimed design.

1 Claim, 3 Drawing Sheets



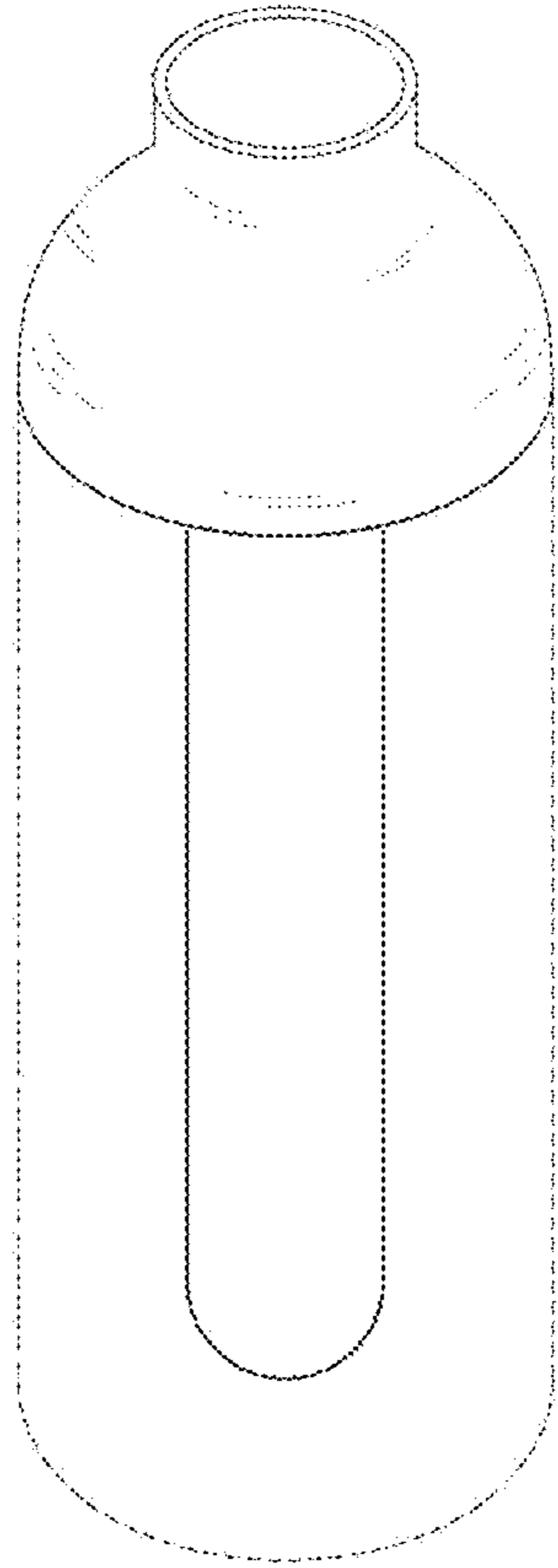


FIG. 1

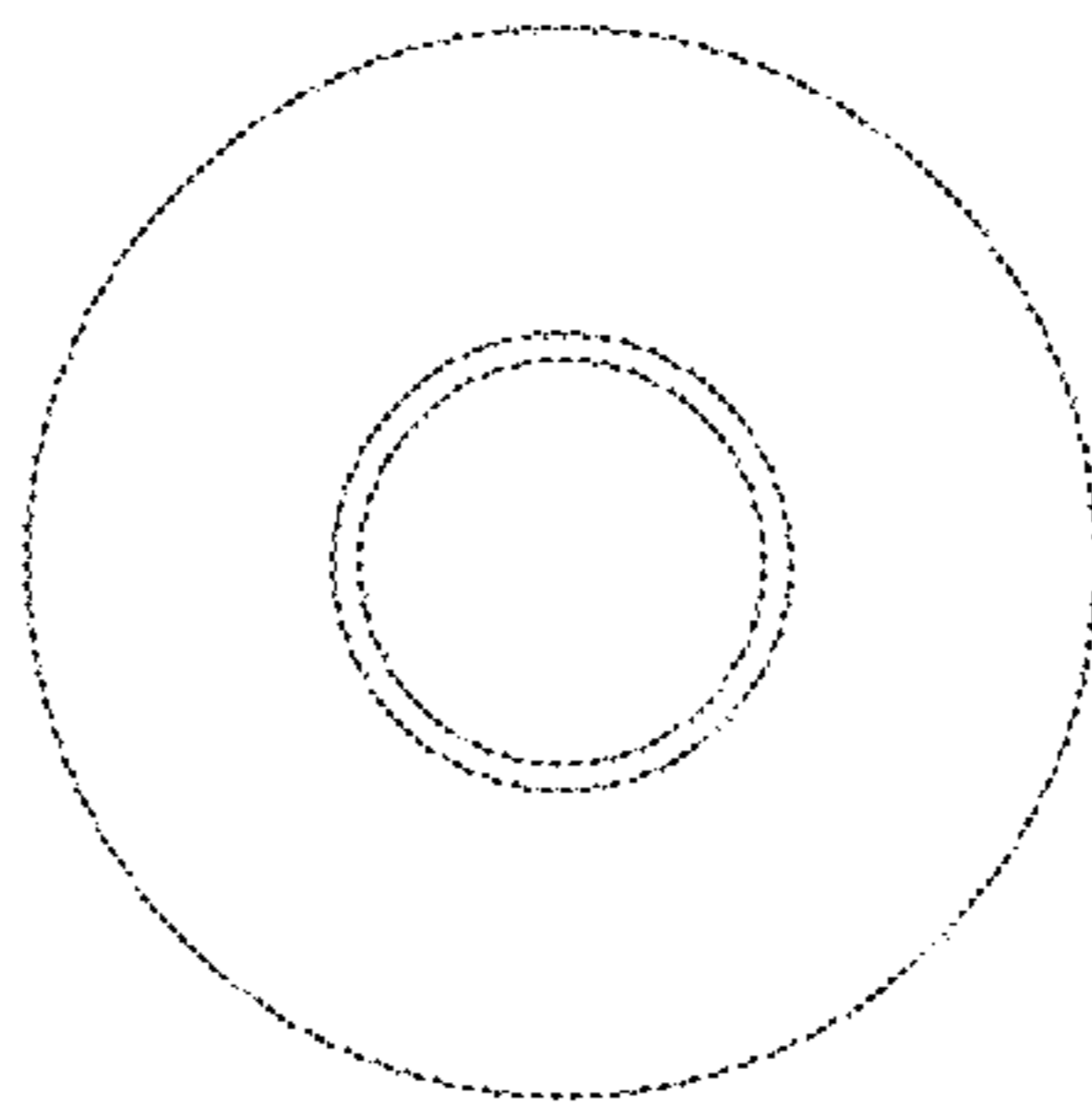


FIG. 2

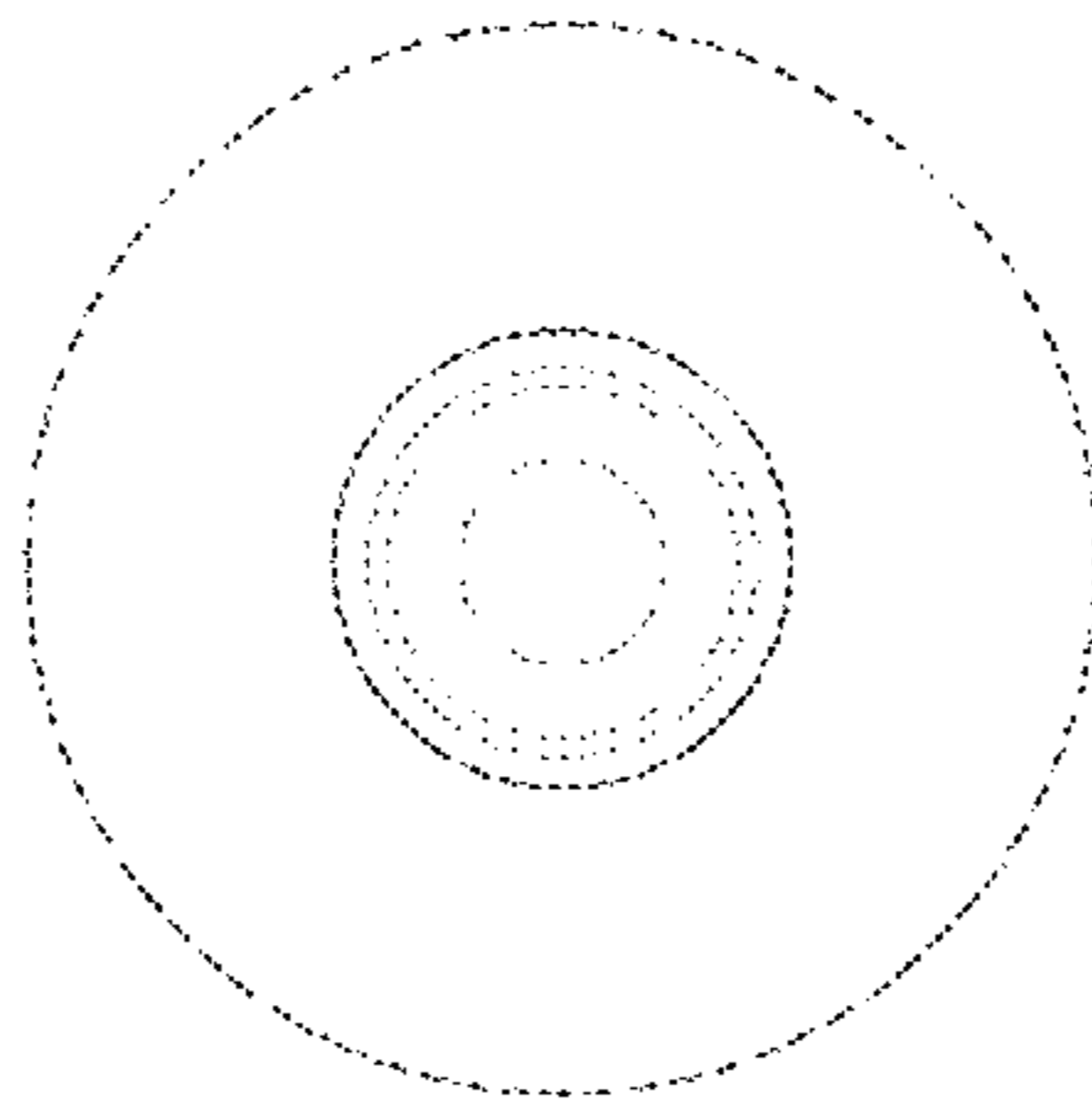


FIG. 3

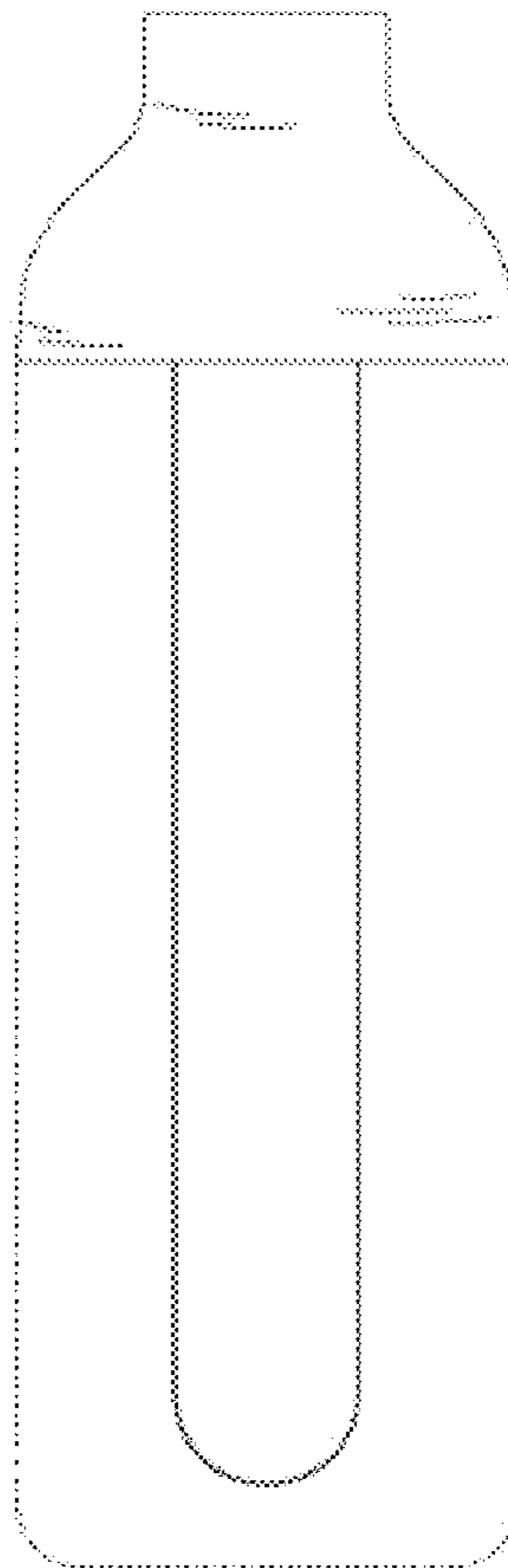


FIG. 4

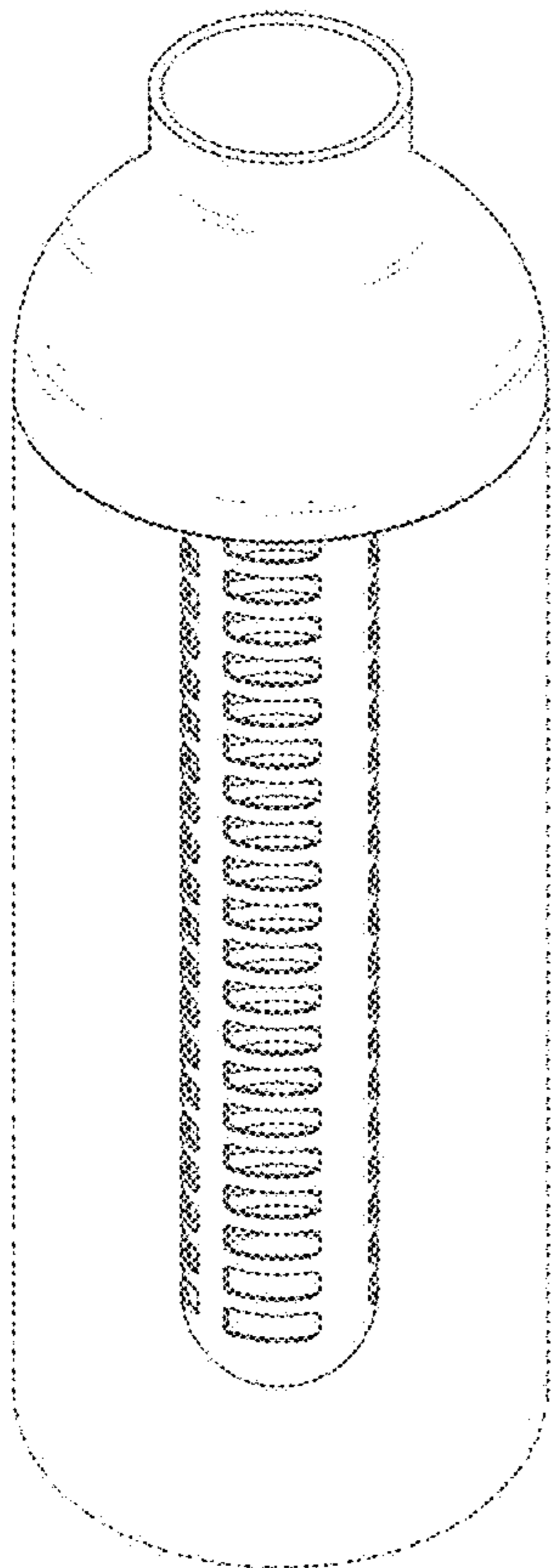


FIG. 5

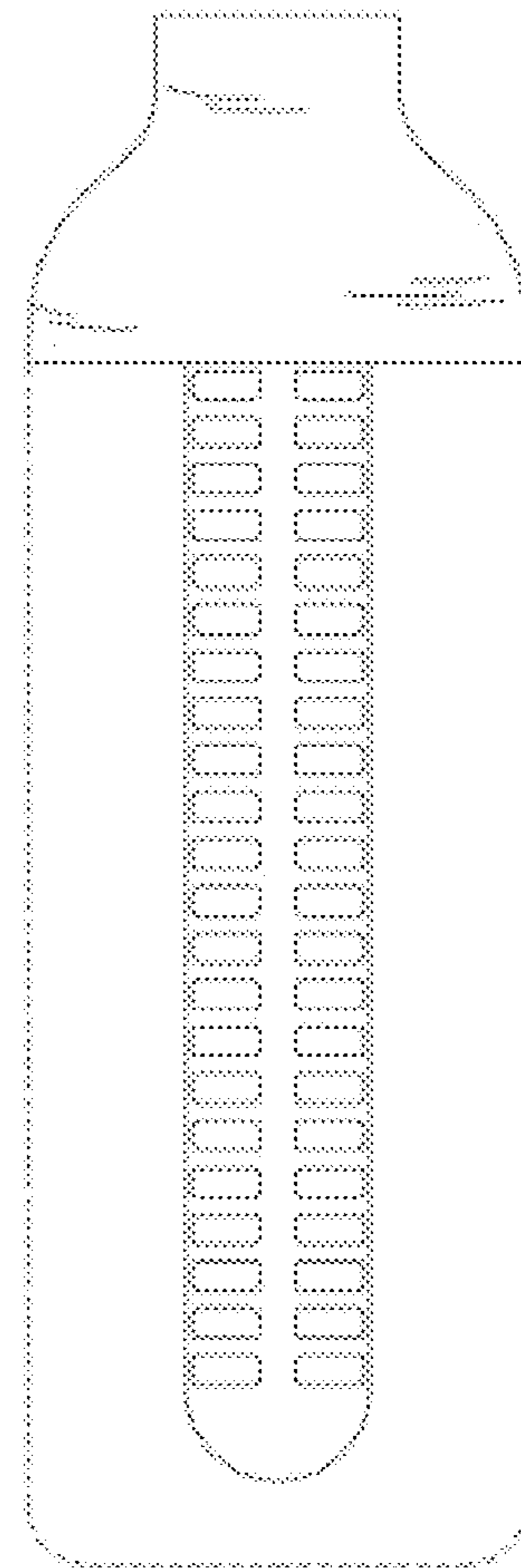


FIG. 6