



US00D776236S

(12) **United States Design Patent** (10) **Patent No.:** **US D776,236 S**
Chen (45) **Date of Patent:** **** Jan. 10, 2017**

(54) **HANDLE FOR A GUN CLEANING TOOL**

(71) Applicant: **Ping Chen, Zhejiang (CN)**

(72) Inventor: **Ping Chen, Zhejiang (CN)**

(**) Term: **15 Years**

(21) Appl. No.: **29/546,411**

(22) Filed: **Nov. 23, 2015**

(30) **Foreign Application Priority Data**

Oct. 22, 2015 (CN) 2015 3 0410174

(51) **LOC (10) Cl.** **22-99**

(52) **U.S. Cl.**
USPC **D22/199; D8/83**

(58) **Field of Classification Search**
USPC D8/27, 71, 82, 83, 97, 107, 303, 401,
D8/402; D21/682, 684, 730; D22/108,
D22/111, 199; D30/106, 138, 142, 154
CPC F41A 21/32; F41C 23/00; F41C 23/02;
F41C 23/06; F41C 23/08; F41C
23/14; F41C 23/16; F41C 23/22
See application file for complete search history.

(56) **References Cited**

U.S. PATENT DOCUMENTS

D447,403 S *	9/2001	Griese	D8/107
D470,386 S *	2/2003	Giese	D8/107
D494,829 S *	8/2004	Lin	D8/83
D517,896 S *	3/2006	Hsu	D8/107
D551,051 S *	9/2007	Wang	D8/107
D558,283 S *	12/2007	Mollet	D21/680
D584,126 S *	1/2009	Meyer	D8/107
D609,767 S *	2/2010	Brewer	D22/108
D653,515 S *	2/2012	De Salvo	D8/83
D655,815 S *	3/2012	Miller	D24/133
D670,991 S *	11/2012	Steinhobel	D8/107

D678,031 S *	3/2013	Wang	D8/107
D686,899 S *	7/2013	Lin	D8/83
D691,867 S *	10/2013	Su	D8/83
D697,783 S *	1/2014	Chesner	D8/107
D700,033 S *	2/2014	Lin	D8/107
D709,346 S *	7/2014	Liu	D8/107
D716,629 S *	11/2014	Suter	D8/82
D722,412 S *	2/2015	Tsai	D32/46
D736,283 S *	8/2015	Ries	D15/140
D748,445 S *	2/2016	Waldron	D22/108
D766,062 S *	9/2016	Phillips	D8/303
2012/0137560 A1 *	6/2012	Denton	F41C 23/22 42/71.01
2014/0075801 A1 *	3/2014	Moretti	F41C 23/06 42/1.06
2014/0109452 A1 *	4/2014	Baker	F41C 23/06 42/1.06

(Continued)

Primary Examiner — Manpreet Matharu
Assistant Examiner — Suzanne Tisdell

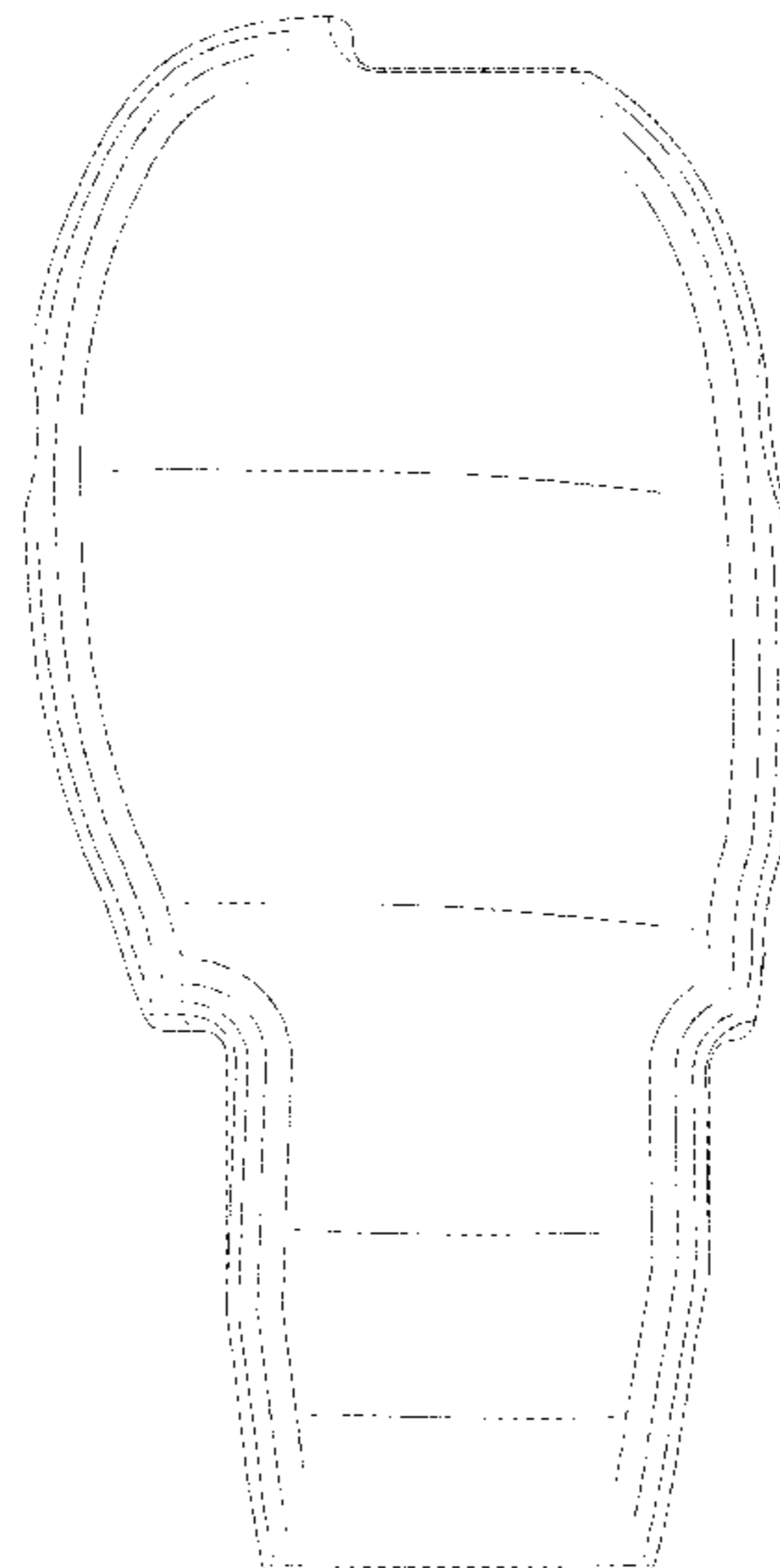
(57) **CLAIM**

The ornamental design for a handle for a gun cleaning tool, as shown and described.

DESCRIPTION

FIG. 1 is a front elevational view of a handle for a gun cleaning tool showing my new design.
FIG. 2 is a rear elevational view thereof;
FIG. 3 is a right side view thereof;
FIG. 4 is a left side view thereof;
FIG. 5 is a top plan view thereof;
FIG. 6 is a bottom plan view thereof;
FIG. 7 is a first perspective view thereof;
FIG. 8 is a second perspective view thereof;
FIG. 9 is a third perspective view thereof; and,
FIG. 10 is a fourth perspective view thereof.
The broken lines show elements of the handle for a gun cleaning tool that form no part of the claim.

1 Claim, 10 Drawing Sheets



(56)

References Cited

U.S. PATENT DOCUMENTS

2014/0223796 A1* 8/2014 Coonrod F41A 23/18
42/94

* cited by examiner

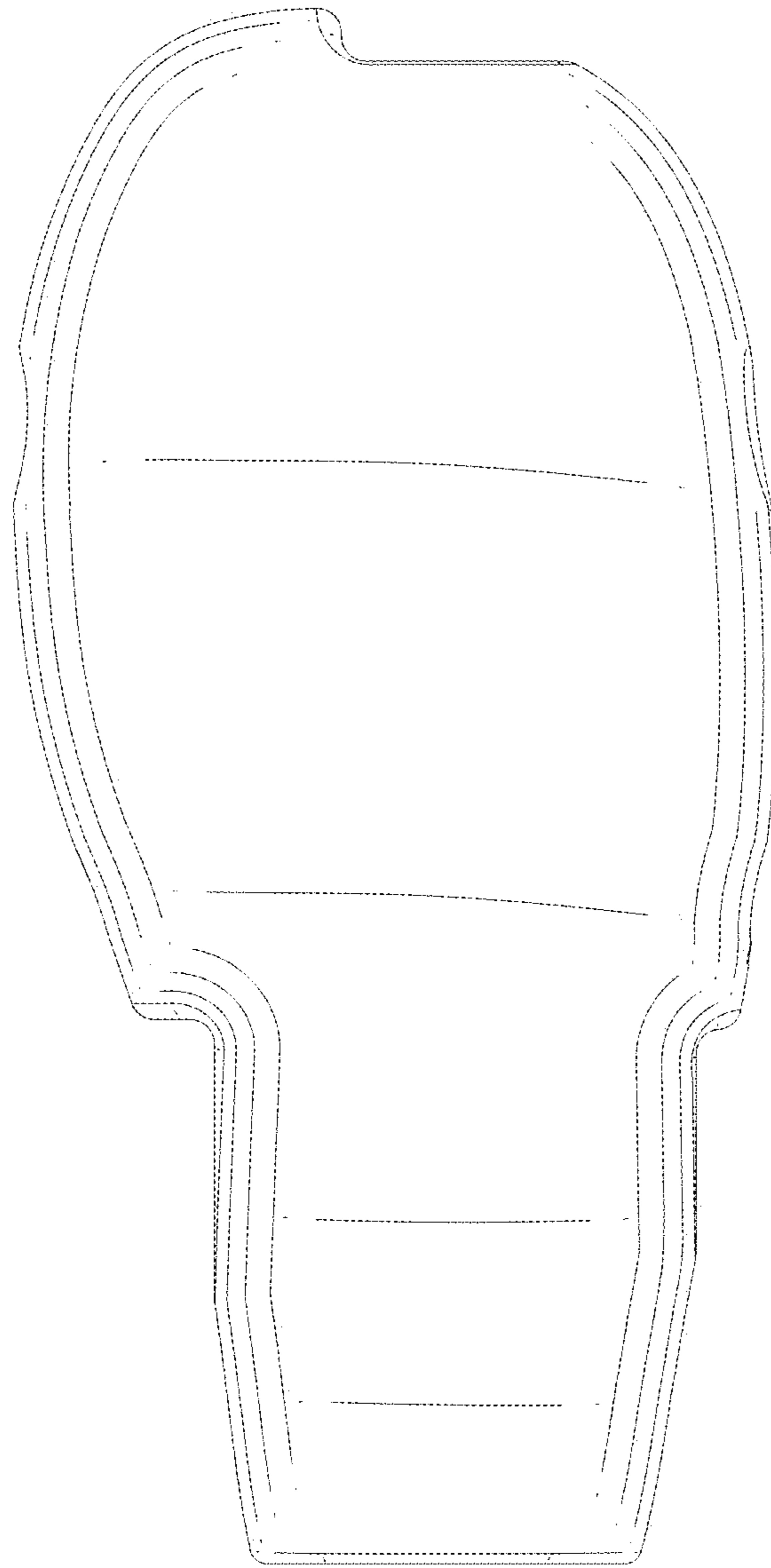


Fig. 1

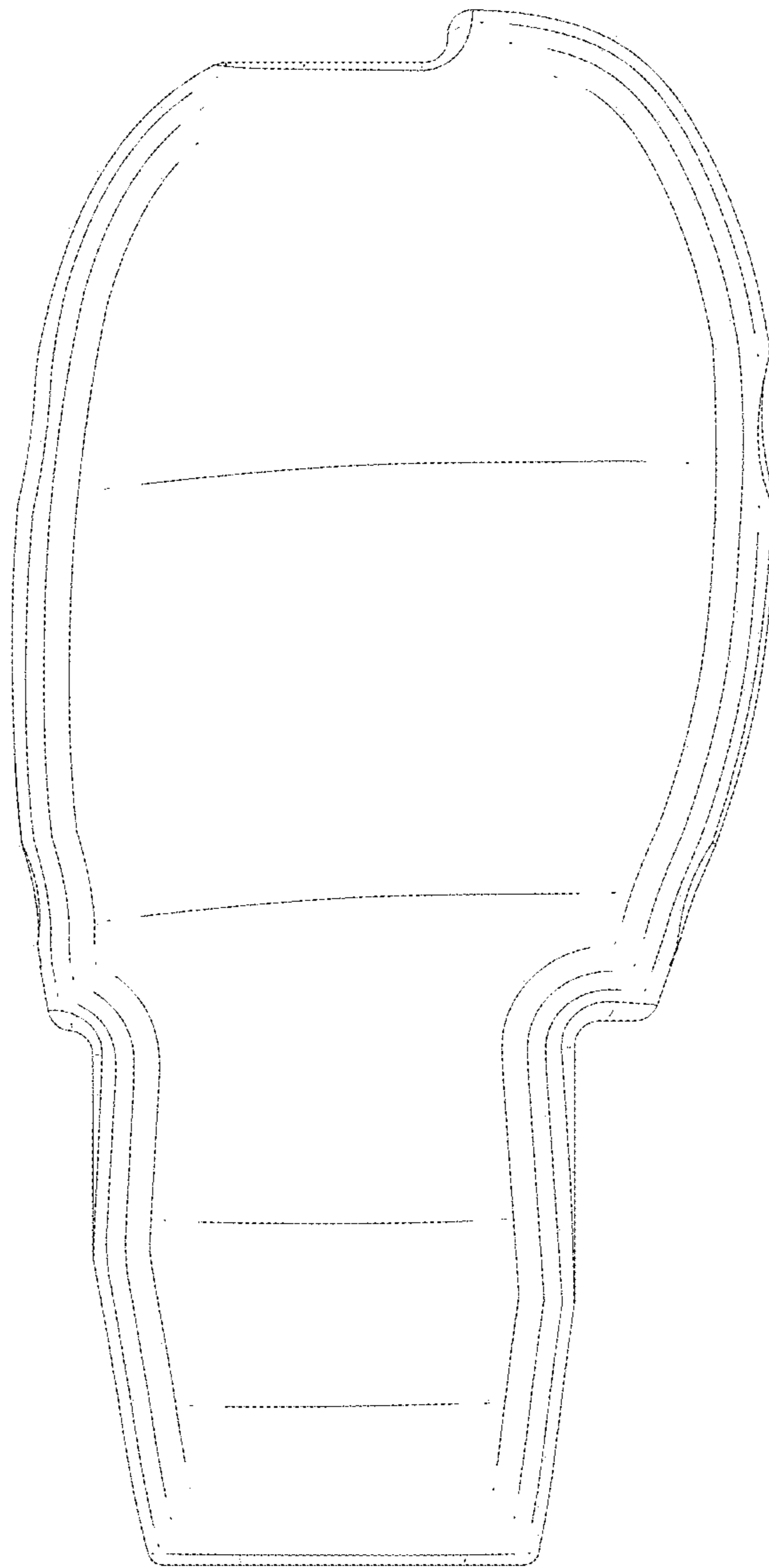


Fig. 2

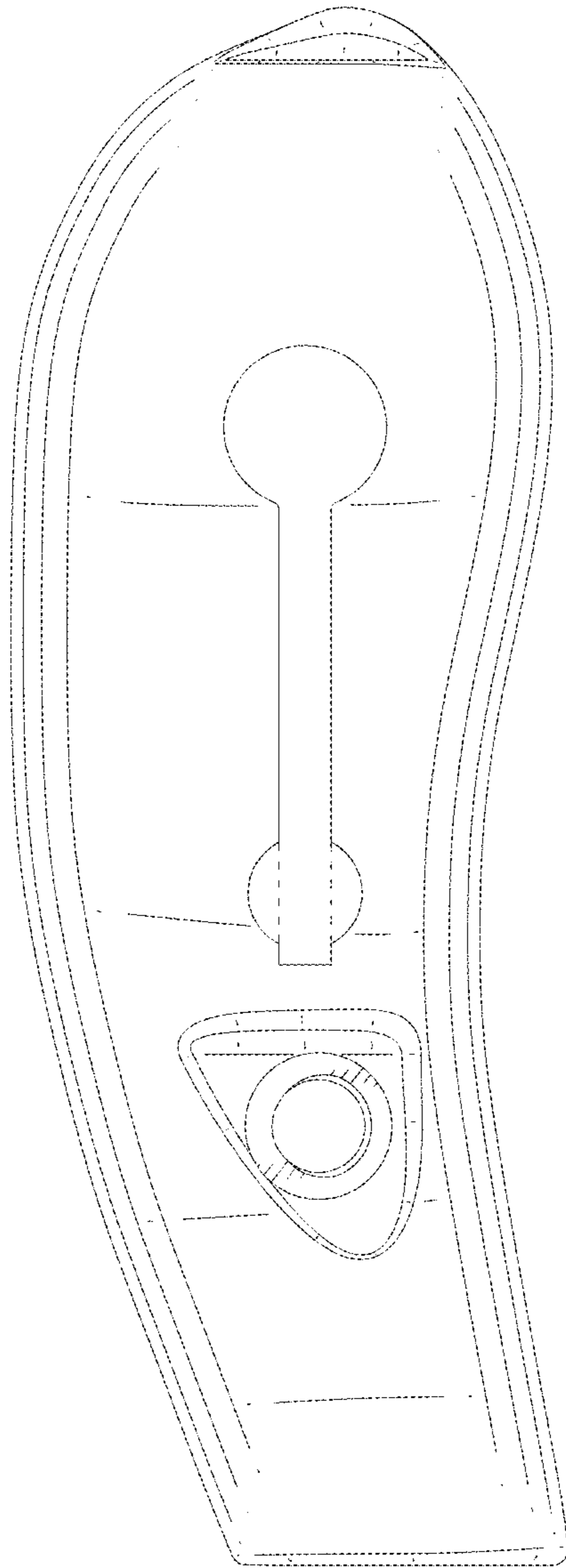


Fig. 3

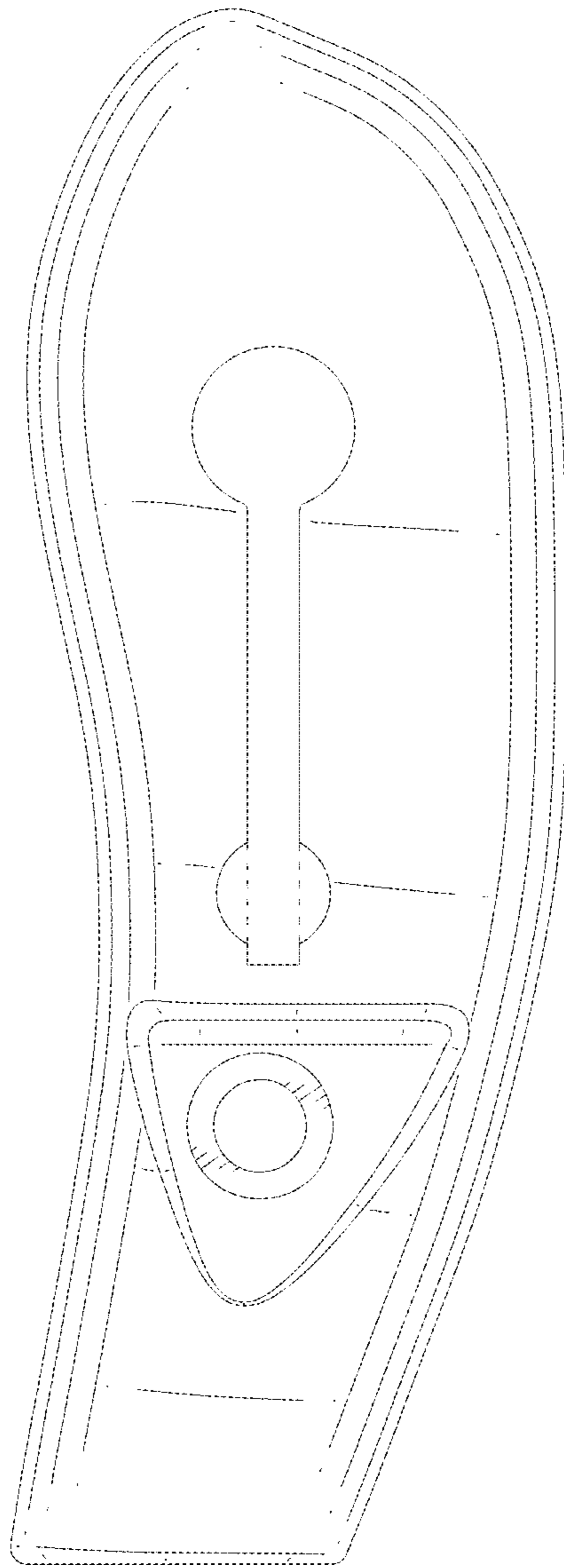


Fig. 4

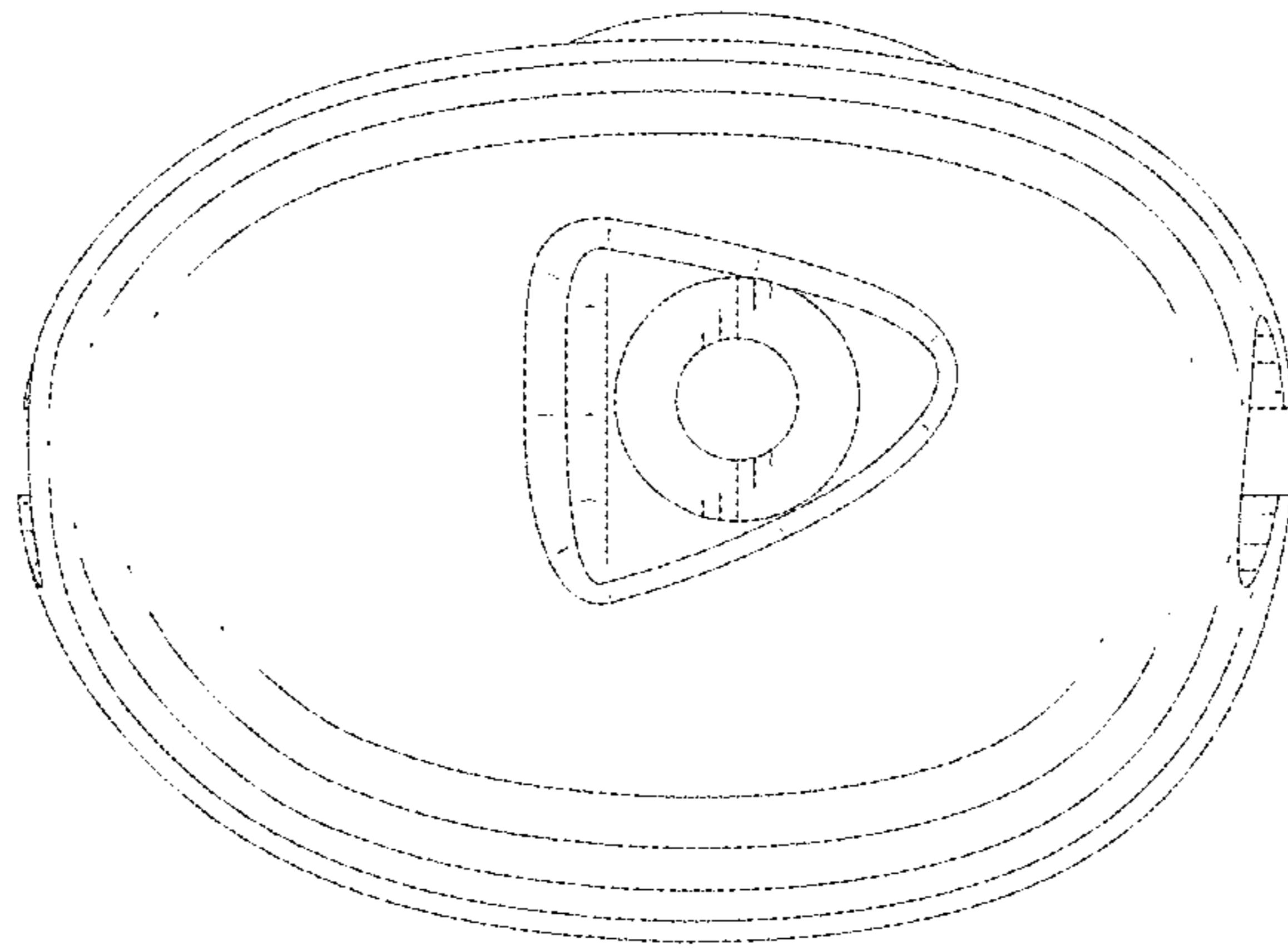


Fig. 5

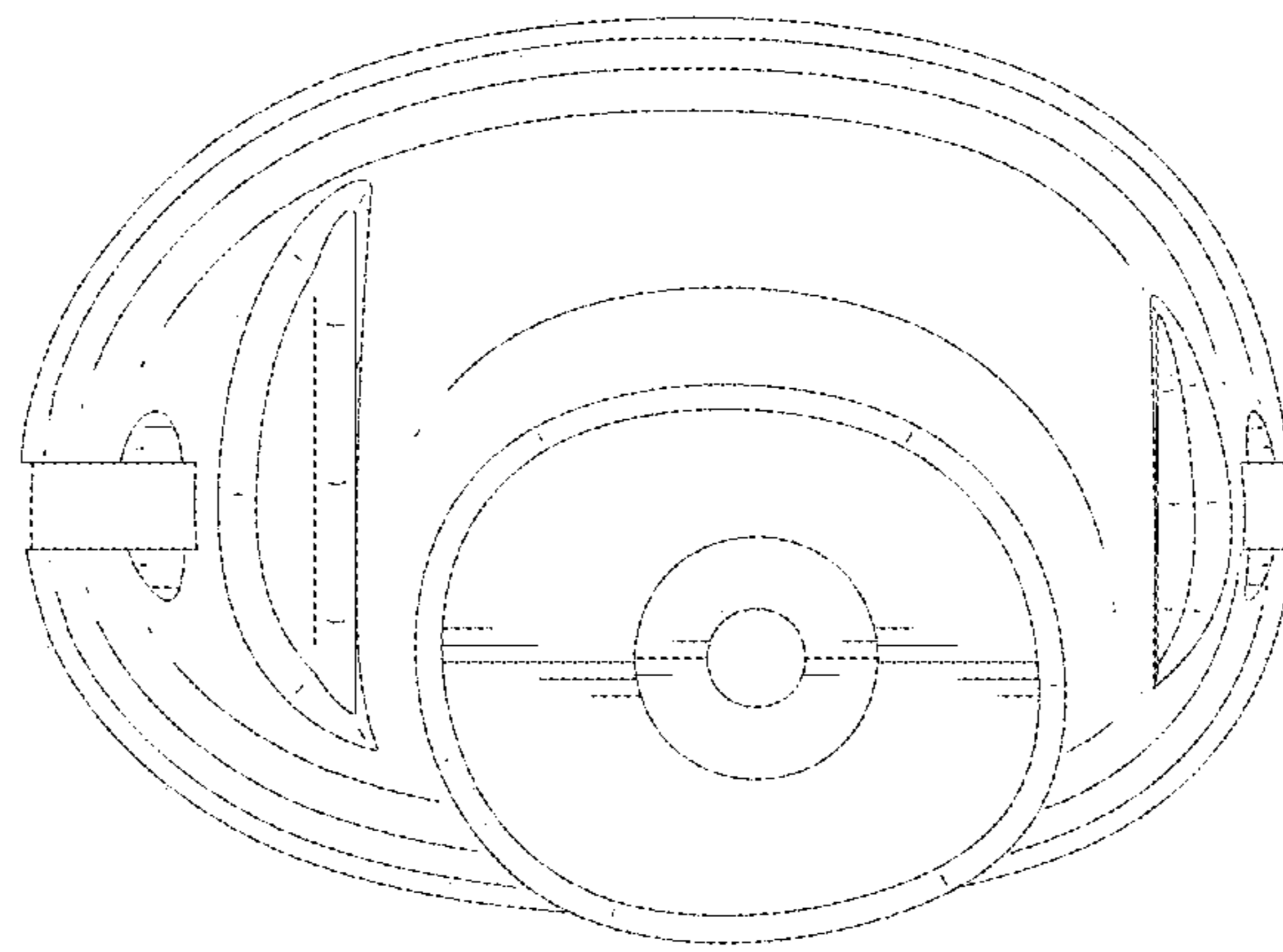


Fig. 6

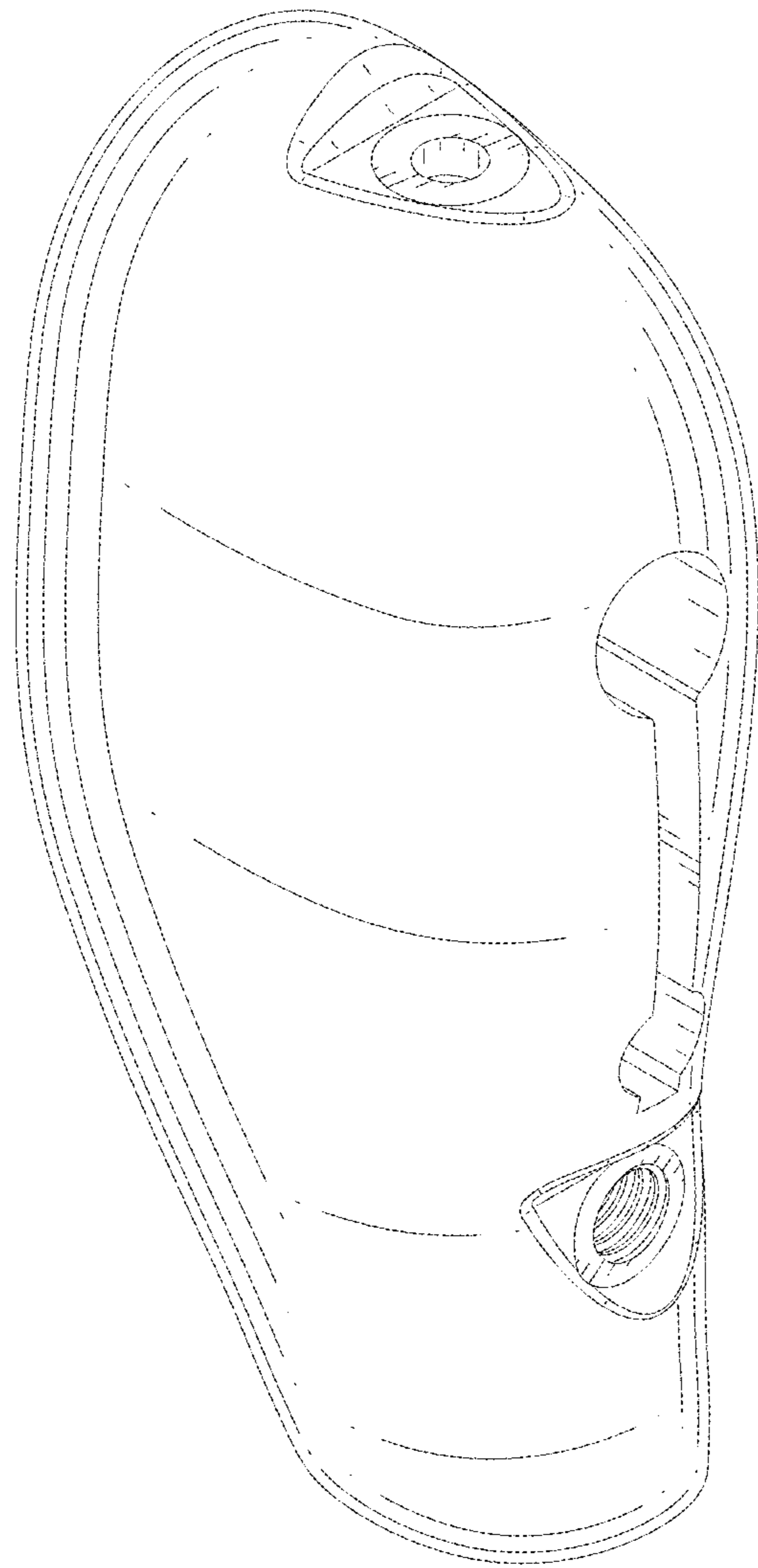


Fig. 7

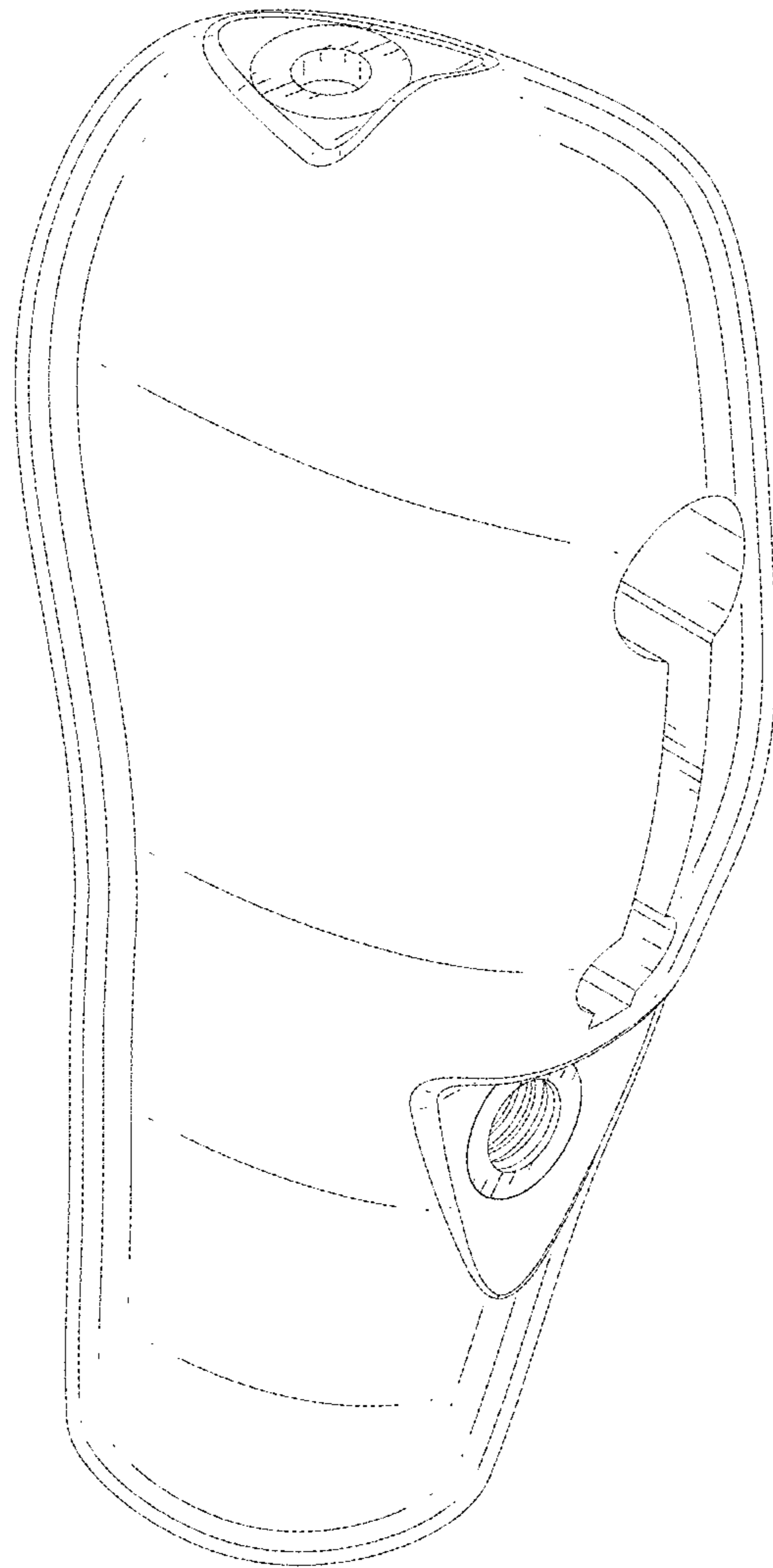


Fig. 8

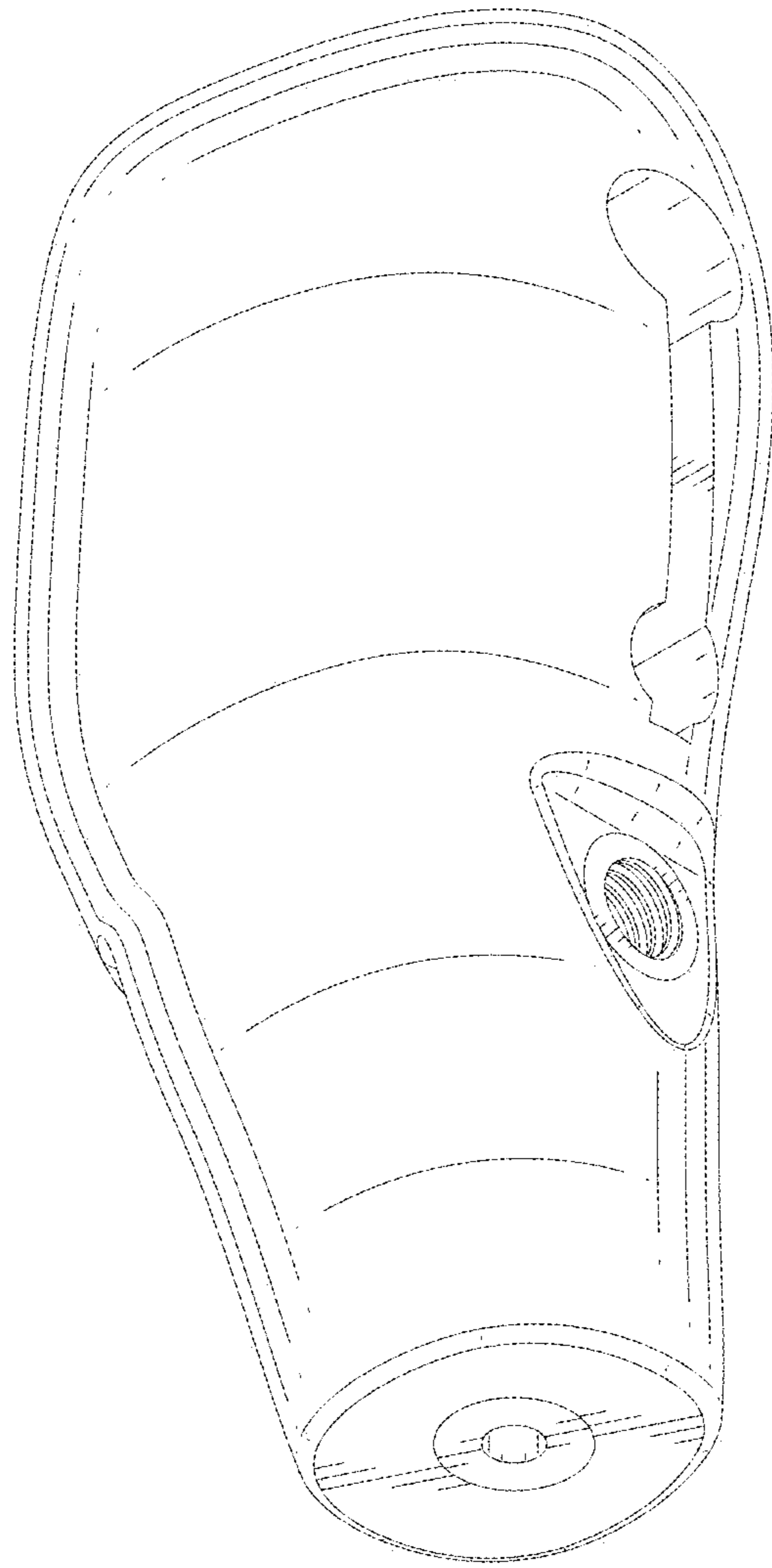


Fig. 9

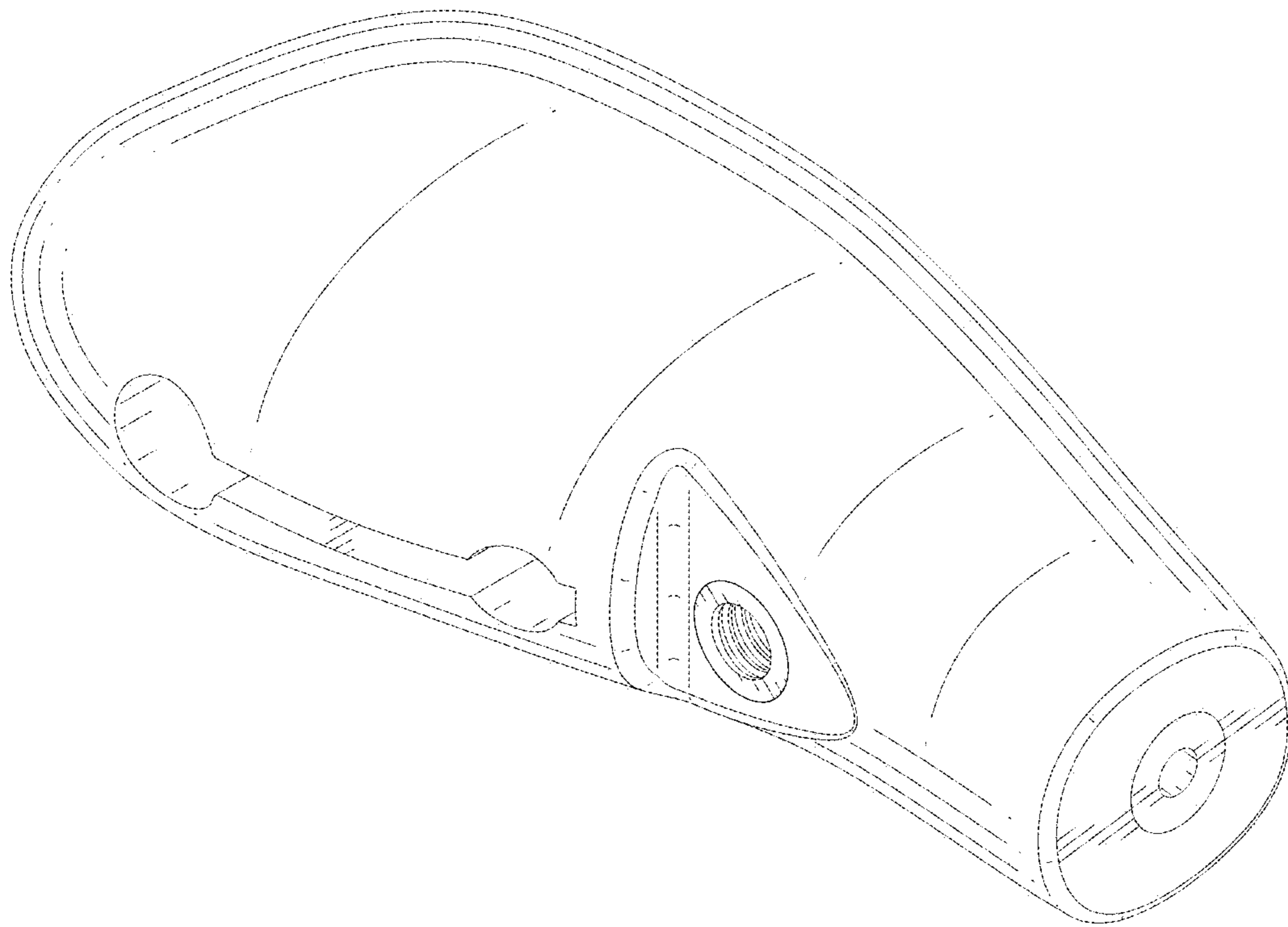


Fig. 10