



US00D776235S

(12) **United States Design Patent**  
**Bush, II**

(10) **Patent No.:** **US D776,235 S**

(45) **Date of Patent:** **\*\* Jan. 10, 2017**

- (54) **FISHING POLE HOLDER**
- (71) Applicant: **Daniel F Bush, II**, Alpine, CA (US)
- (72) Inventor: **Daniel F Bush, II**, Alpine, CA (US)
- (\*\*) Term: **15 Years**
- (21) Appl. No.: **29/534,543**
- (22) Filed: **Jul. 29, 2015**
- (51) **LOC (10) Cl.** ..... **22-05**
- (52) **U.S. Cl.**  
USPC ..... **D22/147**
- (58) **Field of Classification Search**  
USPC .... D17/9, 13; D21/328; D22/137, 141, 155;  
D26/23, 41, 50, 87, 142, 155  
CPC ..... A01K 87/06; A01K 97/10  
See application file for complete search history.

(56) **References Cited**

U.S. PATENT DOCUMENTS

2,505,075	A *	4/1950	Weinberger .....	F16M 11/00 248/121
D250,853	S *	1/1979	Fund .....	D26/142
D258,231	S *	2/1981	Airhart .....	D22/142
D289,193	S *	4/1987	Childre .....	D22/142
D299,737	S *	2/1989	Andreasen .....	D22/142
D314,287	S *	2/1991	Albright, Sr. ....	D22/147
5,088,225	A *	2/1992	Yamamoto .....	A01K 87/06 43/22
D324,409	S *	3/1992	LaTouche .....	D22/142
D327,727	S *	7/1992	Robbins .....	D22/142
D331,617	S *	12/1992	Onishi .....	D22/142
D342,985	S *	1/1994	Grice .....	D22/142
D352,341	S *	11/1994	Park .....	D22/142
D353,262	S *	12/1994	Cantavespre .....	D22/139
6,397,511	B1 *	6/2002	Atnip .....	A01K 87/06 43/22
D508,727	S *	8/2005	Peters .....	D12/133

D667,992	S *	9/2012	Serrano .....	D26/155
D698,482	S *	1/2014	Chen .....	D26/142
D721,448	S *	1/2015	Solstad .....	D26/23
D749,189	S *	2/2016	Noraker .....	D22/142
D750,735	S *	3/2016	Nakamichi .....	D22/147
D752,176	S *	3/2016	Johns .....	D22/147
2012/0017487	A1 *	1/2012	O'Keefe .....	A01K 97/10 43/21.2
2014/0047758	A1 *	2/2014	Ciciulla .....	A01K 97/10 43/21.2
2016/0037762	A1 *	2/2016	Thomas .....	A01K 97/10 248/636

(Continued)

*Primary Examiner* — Manpreet Matharu

*Assistant Examiner* — Suzanne Tisdell

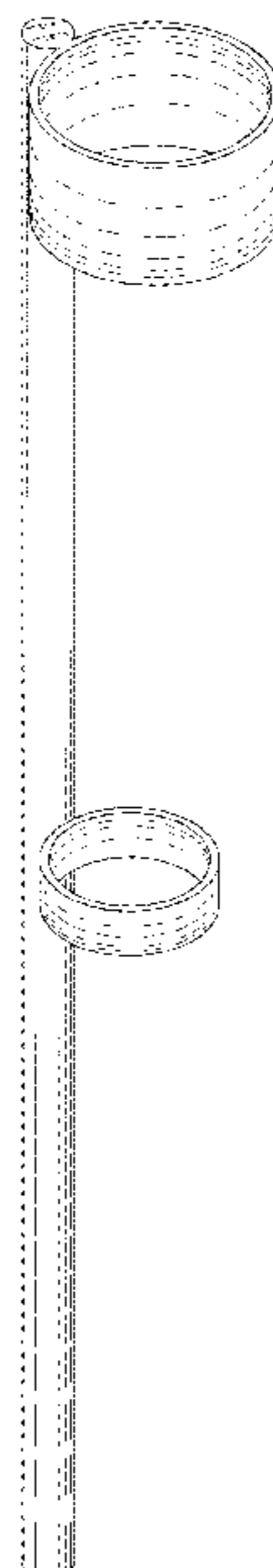
(57) **CLAIM**

The ornamental design for a fishing pole holder, as shown and described.

**DESCRIPTION**

FIG. 1 is a top isometric view of fishing pole holder showing my new design;  
 FIG. 2 is a bottom isometric view thereof;  
 FIG. 3 is a front view thereof;  
 FIG. 4 is a rear view thereof;  
 FIG. 5 is a left side view thereof;  
 FIG. 6 is a right side view thereof;  
 FIG. 7 is a top plan view thereof;  
 FIG. 8 is a bottom plan view thereof;  
 FIG. 9 is a top isometric view, laterally connected to a C-clamp at the bottom of the fishing pole holder;  
 FIG. 10 is a bottom isometric perspective view, laterally connected to a C-clamp at the bottom of the fishing pole holder; and,  
 FIG. 11 is a top isometric view of an alternate embodiment of the present invention comprising a pointed end.

**1 Claim, 11 Drawing Sheets**



(56)

**References Cited**

U.S. PATENT DOCUMENTS

2016/0192628 A1\* 7/2016 Omura ..... A01K 87/06  
43/22

\* cited by examiner

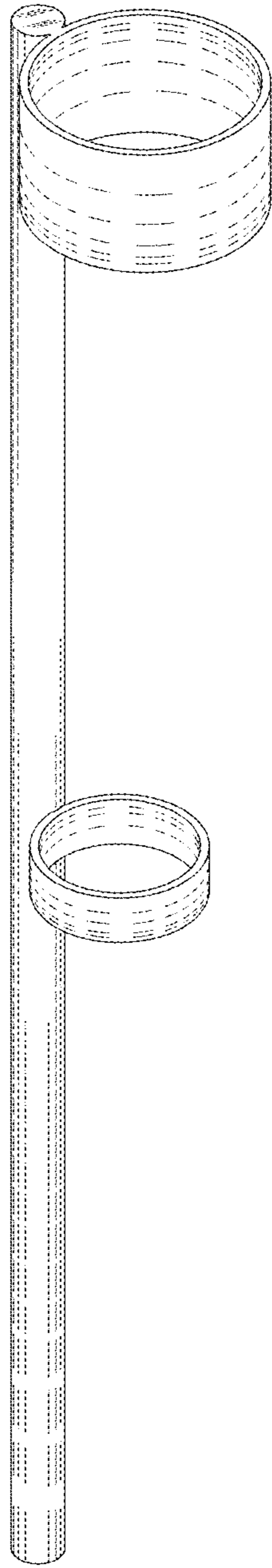


FIG. 1

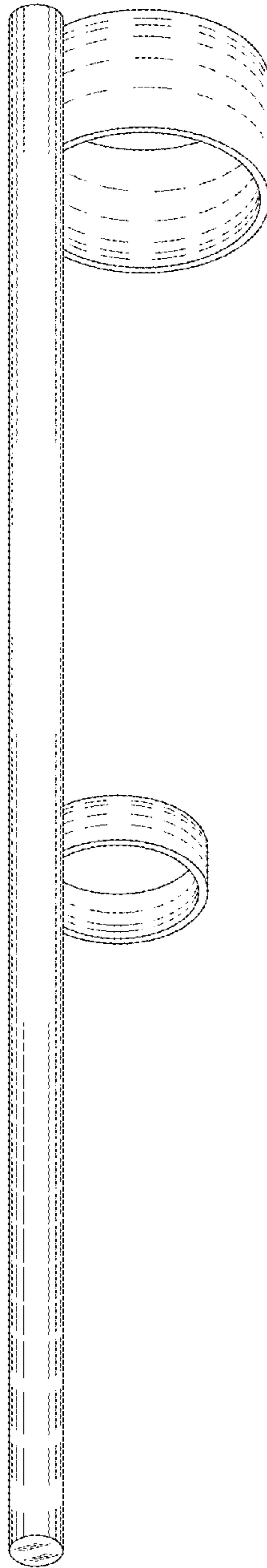


FIG. 2

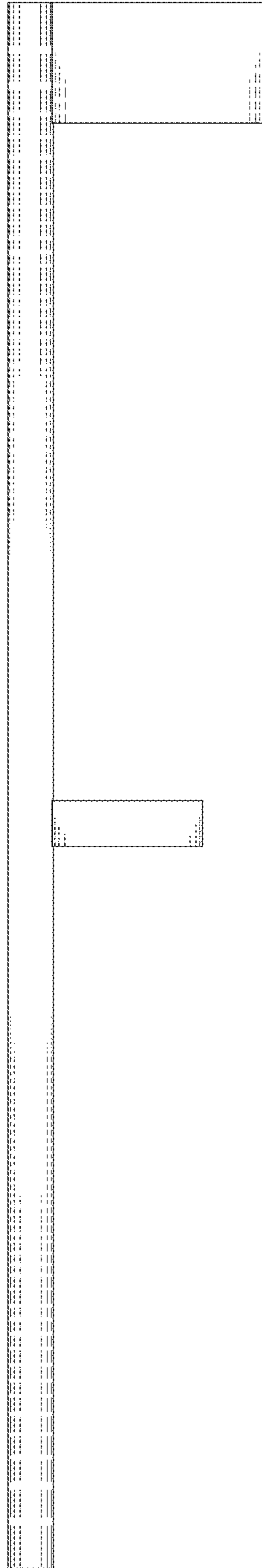


FIG. 3

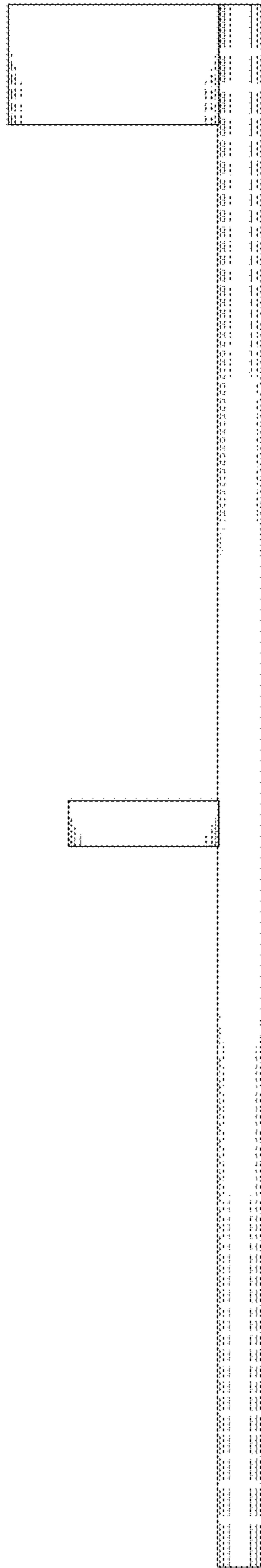


FIG. 4

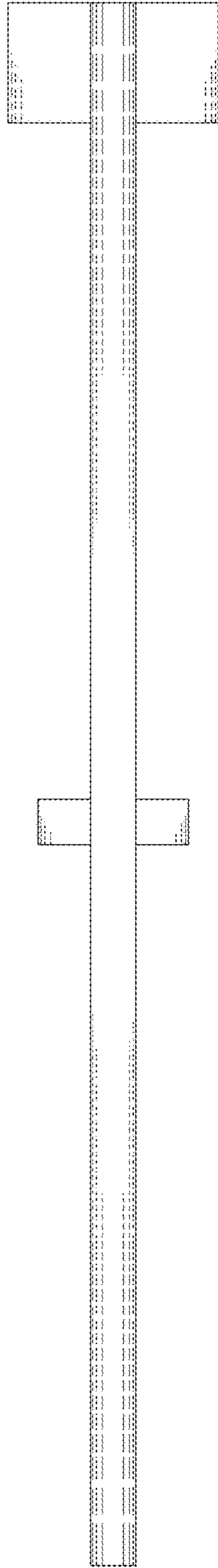


FIG. 5

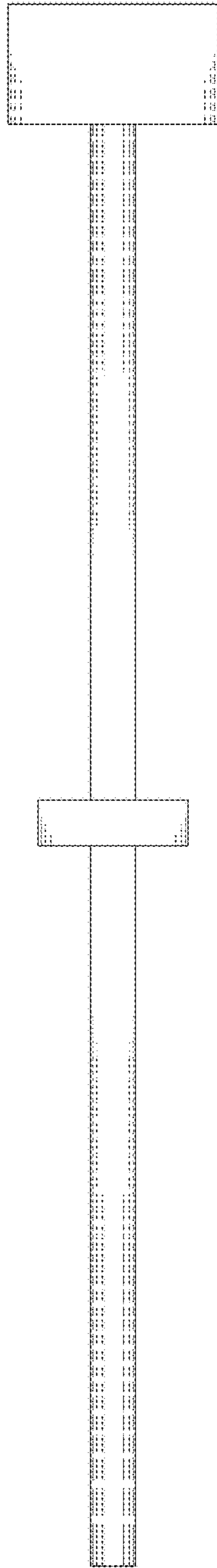


FIG. 6



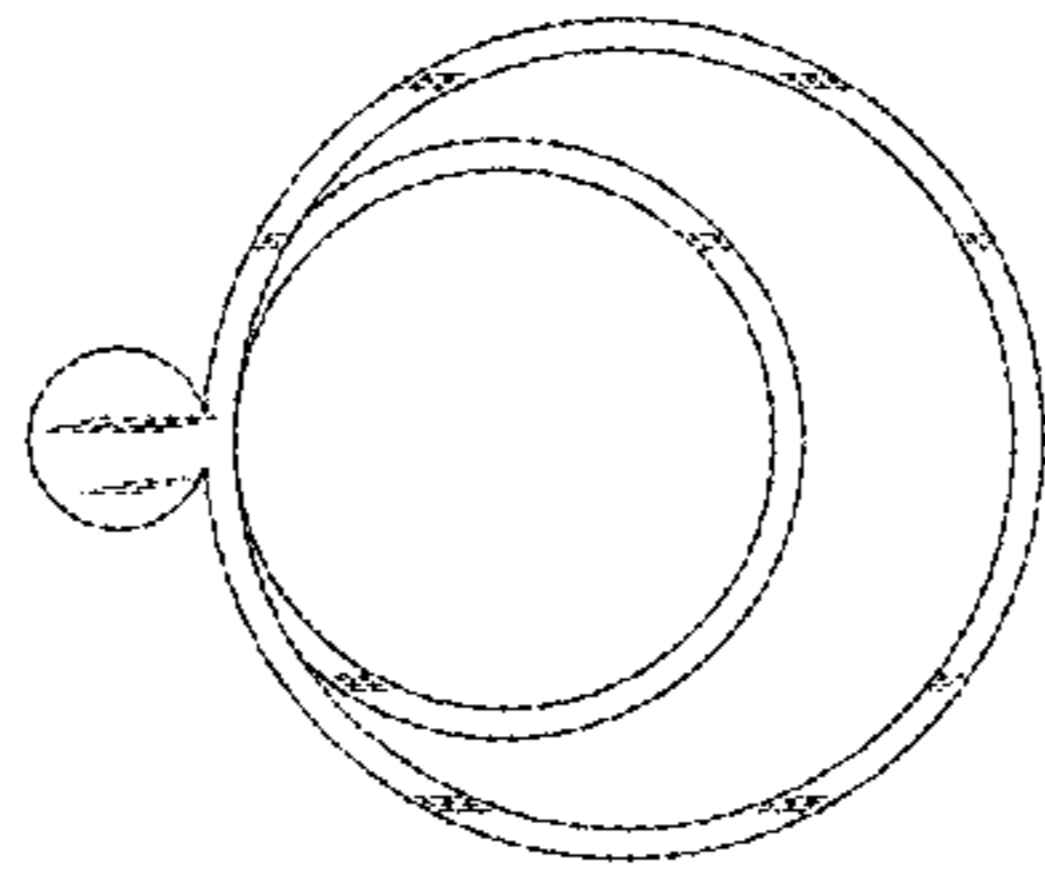


FIG. 7

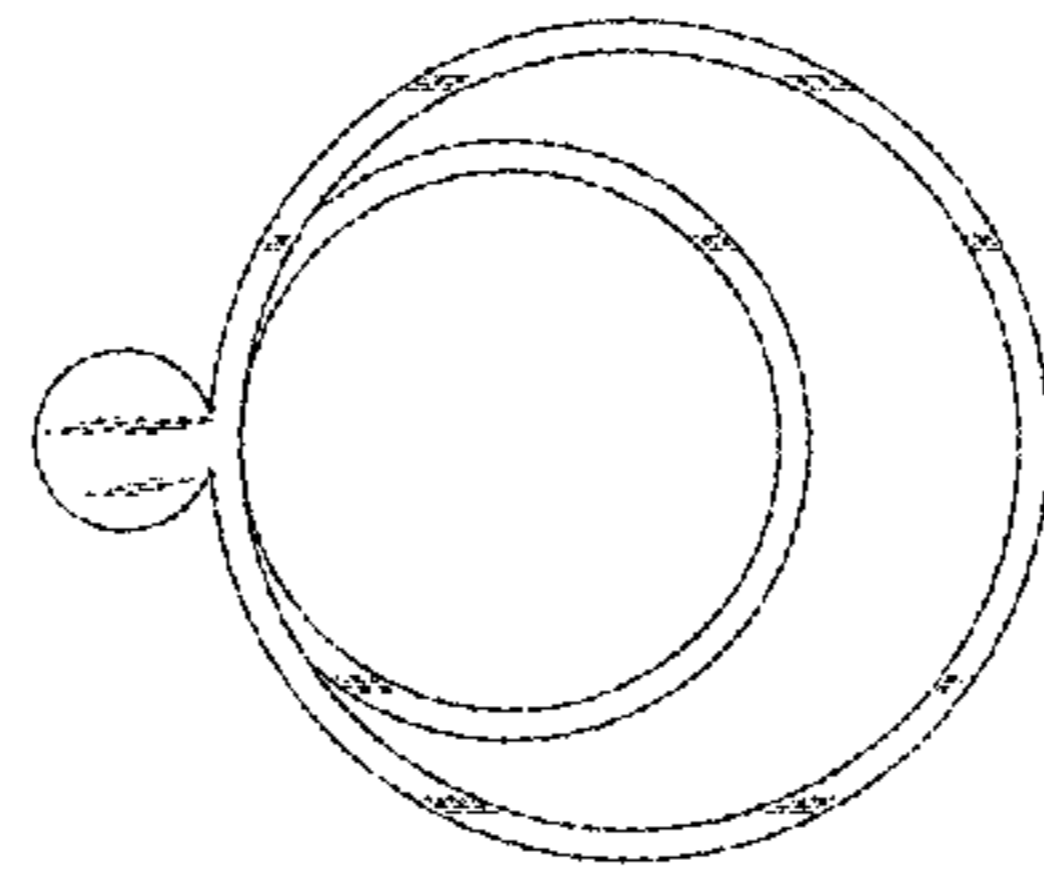


FIG. 8

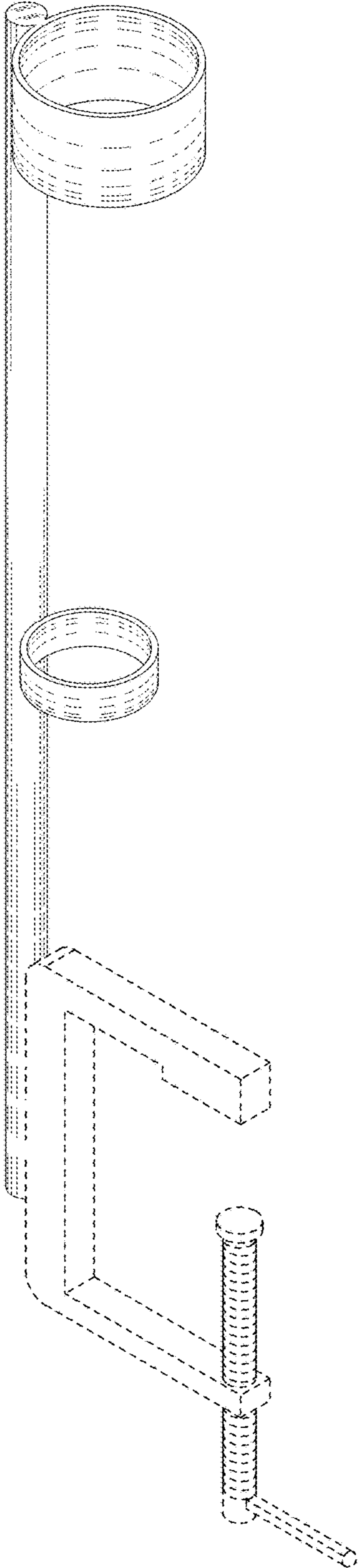


FIG. 9

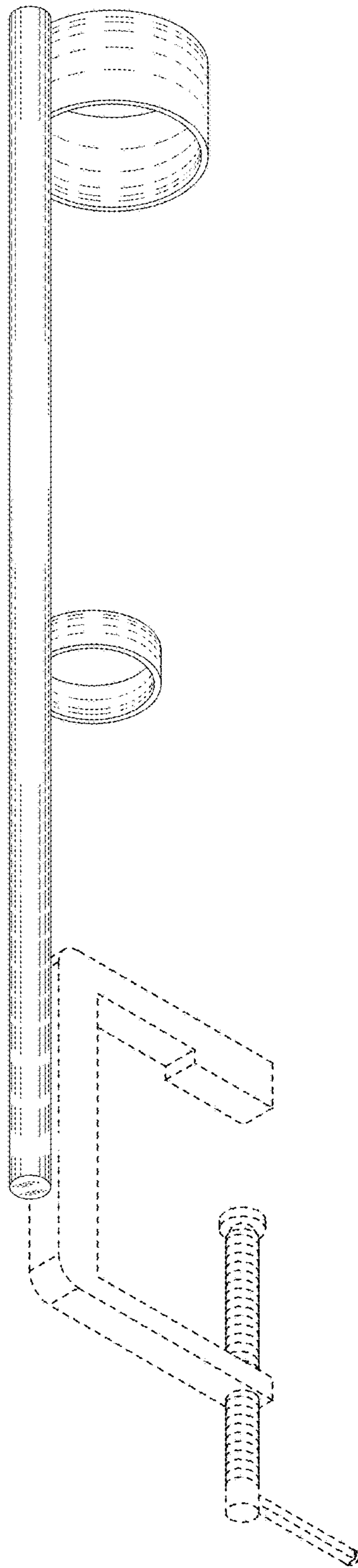


FIG. 10

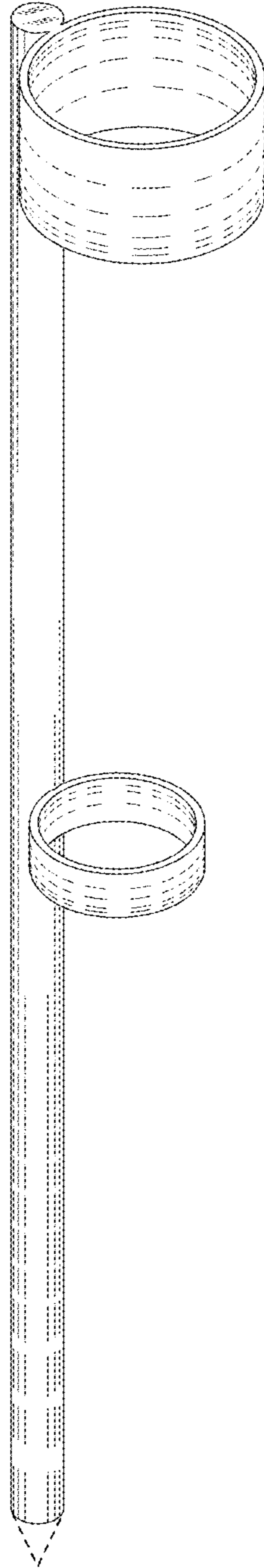


FIG. 11