



US00D776233S

(12) **United States Design Patent** (10) **Patent No.:** **US D776,233 S**
Donnelly (45) **Date of Patent:** **** Jan. 10, 2017**

(54) **FISH HOOK**

(71) Applicant: **Franklin Joseph Donnelly**, Ohio, IL (US)

(72) Inventor: **Franklin Joseph Donnelly**, Ohio, IL (US)

(**) Term: **15 Years**

(21) Appl. No.: **29/528,763**

(22) Filed: **Jun. 1, 2015**

(51) **LOC (10) Cl.** **22-05**

(52) **U.S. Cl.**
USPC **D22/144**

(58) **Field of Classification Search**
USPC D22/126, 127, 128, 129, 130, 131, 132, D22/133, 135, 144

(Continued)

(56) **References Cited**

U.S. PATENT DOCUMENTS

454,580 A 6/1891 Mack
650,277 A 5/1900 Rossner

(Continued)

FOREIGN PATENT DOCUMENTS

FR 1138807 A 6/1957

OTHER PUBLICATIONS

Know Your Sea Fishing Leads and Sinkers; pages printed from the internet; 2 pages, date last visited Sep. 1, 2015; "http://www.gofishing.co.uk/Sea-Angler/ . . ."

(Continued)

Primary Examiner — Manpreet Matharu

Assistant Examiner — Suzanne Tisdell

(74) *Attorney, Agent, or Firm* — Reinhart Boerner Van Deuren P.C.

(57) **CLAIM**

I claim the ornamental design for a fish hook, as shown and described.

DESCRIPTION

FIG. 1 is a perspective view of a fish hook showing the new design;

FIG. 2 is an enlarged view of the area bounded by numeral 2 of FIG. 1;

FIG. 3 is an enlarged view of the area bounded by numeral 3 of FIG. 1;

FIG. 4 is a front view of the fish hook of FIG. 1;

FIG. 5 is an enlarged view of the area bounded by numeral 5 of FIG. 4;

FIG. 6 is an enlarged view of the area bounded by numeral 6 of FIG. 4;

FIG. 7 is a back view of the fish hook of FIG. 1;

FIG. 8 is an enlarged view of the area bounded by numeral 8 of FIG. 7;

FIG. 9 is an enlarged view of the area bounded by numeral 9 of FIG. 7;

FIG. 10 is a side view of the fish hook of FIG. 1;

FIG. 11 is an enlarged view of the area bounded by numeral 11 of FIG. 10;

FIG. 12 is an enlarged view of the area bounded by numeral 12 of FIG. 10;

FIG. 13 is the opposite side view of the fish hook of FIG. 10;

FIG. 14 is an enlarged view of the area bounded by numeral 14 of FIG. 13;

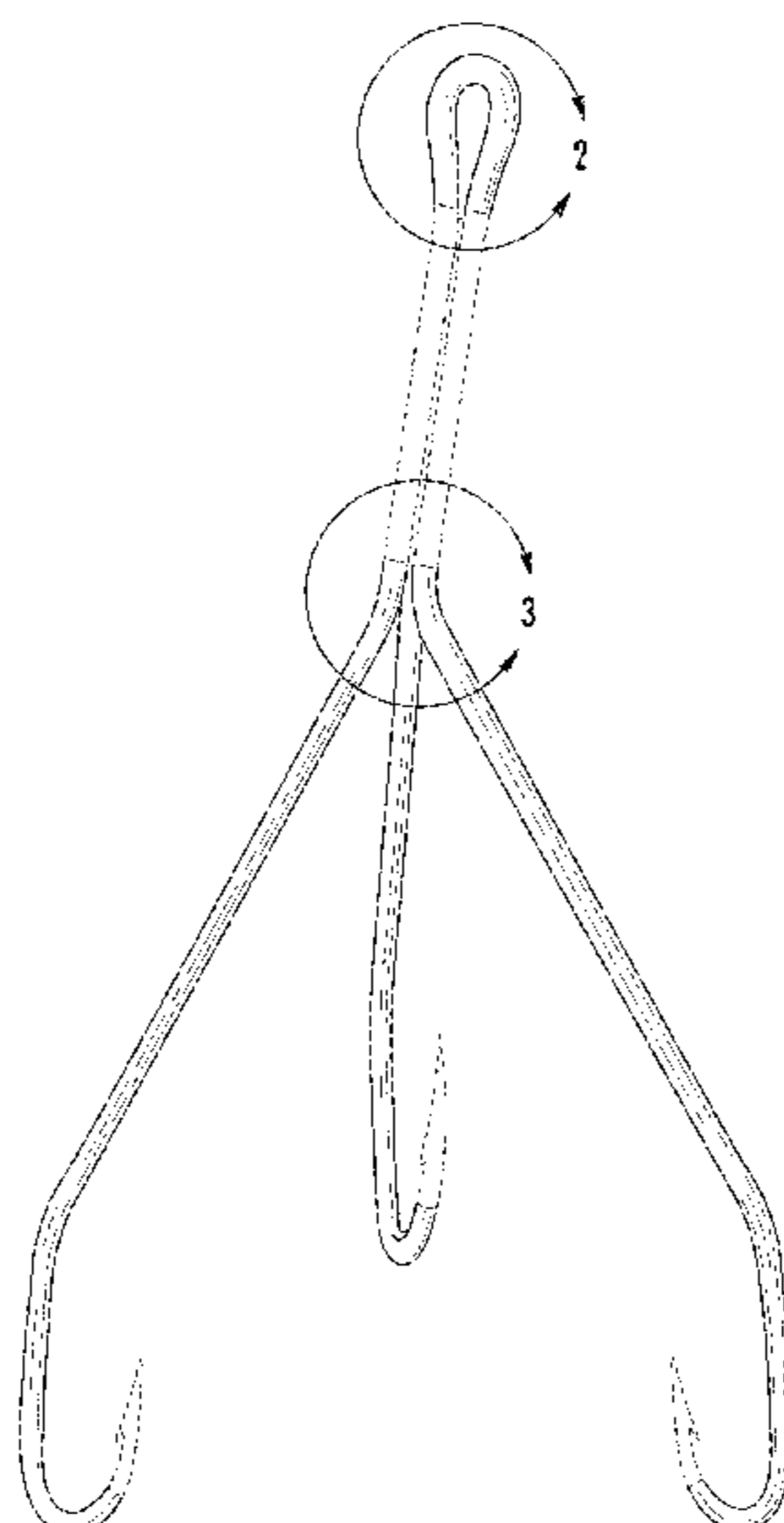
FIG. 15 is an enlarged view of the area bounded by numeral 15 of FIG. 13;

FIG. 16 is a top view of the fish hook of FIG. 1; and,

FIG. 17 is a bottom view of the fish hook of FIG. 1.

The broken lines in dash-dot form indicate boundaries for the claimed design. All the broken lines shown in the drawings illustrate portions of the fish hook that form no part of the claimed design.

1 Claim, 12 Drawing Sheets



(58) **Field of Classification Search**

CPC A01K 85/00; A01K 85/01; A01K 85/02;
 A01K 85/10; A01K 85/16; A01K 85/18;
 A01K 83/00; A01K 83/04; A01K 83/06;
 A01K 69/06

See application file for complete search history.

(56) **References Cited**

U.S. PATENT DOCUMENTS

679,296	A	7/1901	Clark	
699,711	A	5/1902	Pyott	
1,056,397	A	3/1913	Bonnell	
1,069,093	A	7/1913	Faught	
1,124,719	A	1/1915	Fischer	
1,457,401	A	6/1923	Smith	
1,534,954	A	4/1925	Holtz	
1,982,132	A	11/1934	Boles	
2,124,263	A	7/1938	Schott	
2,149,062	A	2/1939	Maurer	
2,534,152	A	12/1950	Arkel	
2,554,735	A	5/1951	Gibson	
2,620,590	A	12/1952	Shaw	
2,873,548	A	2/1959	Reeder	
3,331,151	A	7/1967	Turrentine	
3,587,189	A	6/1971	Kopicko	
3,727,340	A	4/1973	Harris	
3,995,391	A	12/1976	Bohannon	
4,283,877	A	8/1981	Onstott et al.	
4,384,426	A	5/1983	Steeve	
4,716,675	A	1/1988	Knight	
D371,594	S *	7/1996	Drapak	D22/144
D390,623	S *	2/1998	Phelps	D22/126
D487,913	S *	3/2004	Asada	D22/144

7,607,252	B1	10/2009	Lorentz	
D609,304	S *	2/2010	Hatfield	D22/144
D616,060	S *	5/2010	Patrick	D22/144
7,980,021	B2	7/2011	Siatkowski	
D698,411	S *	1/2014	Bennis	D22/144
D698,412	S *	1/2014	Bennis	D22/144
D698,413	S *	1/2014	Bennis	D22/144
8,826,585	B2	9/2014	Park	
D742,995	S *	11/2015	Rye	D22/144
D751,664	S *	3/2016	Bennis	D22/144
D751,665	S *	3/2016	Bennis	D22/144
D754,810	S *	4/2016	Gibson	D22/144
D755,921	S *	5/2016	Nitta	D22/144
2004/0003533	A1	1/2004	Larsen	
2006/0156614	A1	7/2006	Brzozowski	
2007/0169399	A1 *	7/2007	More	A01K 91/04 43/44.83
2013/0276350	A1 *	10/2013	Smith	A01K 85/02 43/42.38
2013/0283668	A1 *	10/2013	Hansen	A01K 85/00 43/42.32
2015/0208624	A1 *	7/2015	Krohn	A01K 85/00 43/42.49
2015/0208626	A1 *	7/2015	Coniglio	A01K 85/16 43/42.24
2016/0165865	A1 *	6/2016	Korteweg	A01K 85/18 43/42.06

OTHER PUBLICATIONS

Gemini Anti Snag Fixed Grip; page printed from the internet; 1 page, date last visted Sep. 1, 2015; "www.anglingdirect.co.uk".

* cited by examiner

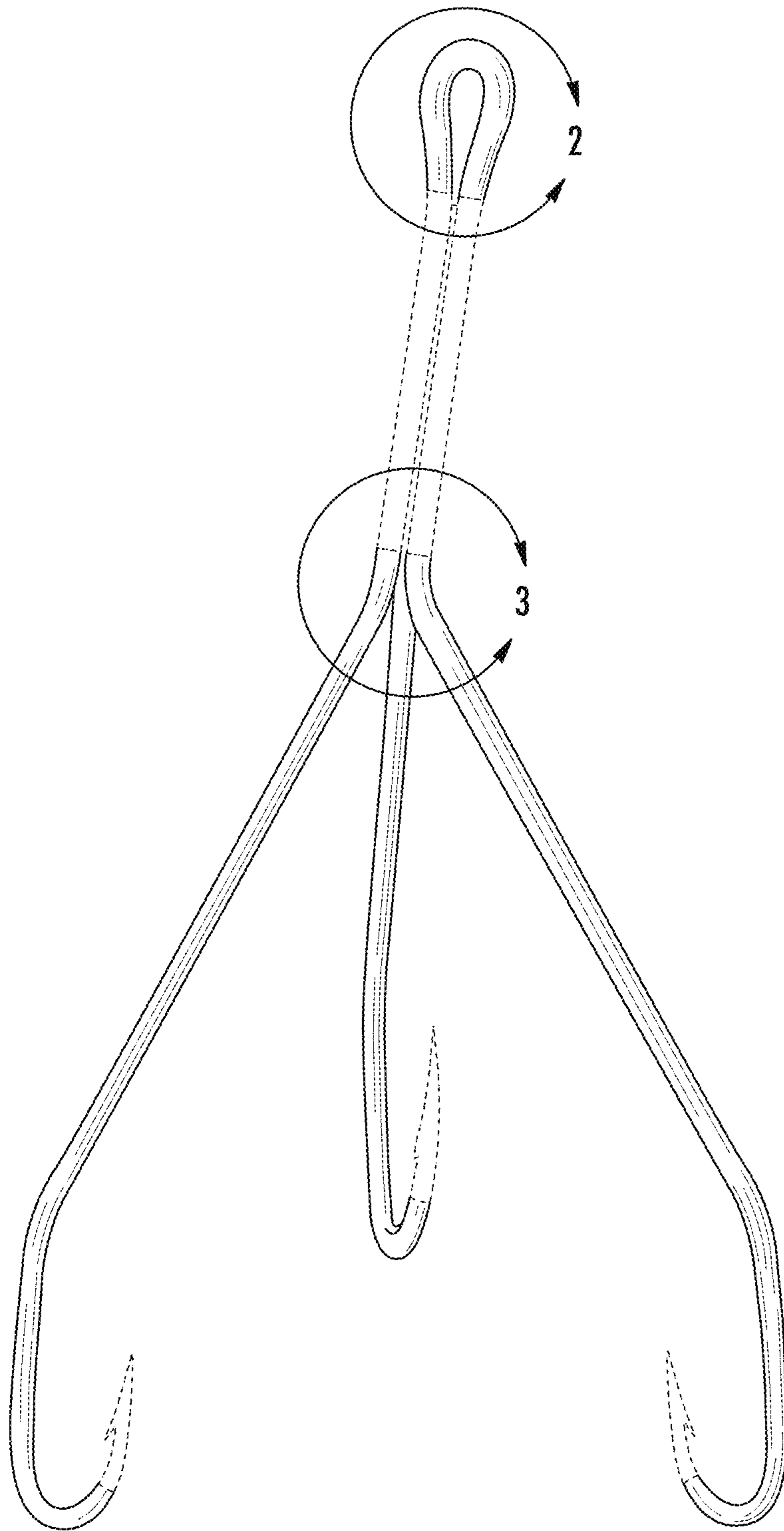


FIG. 1

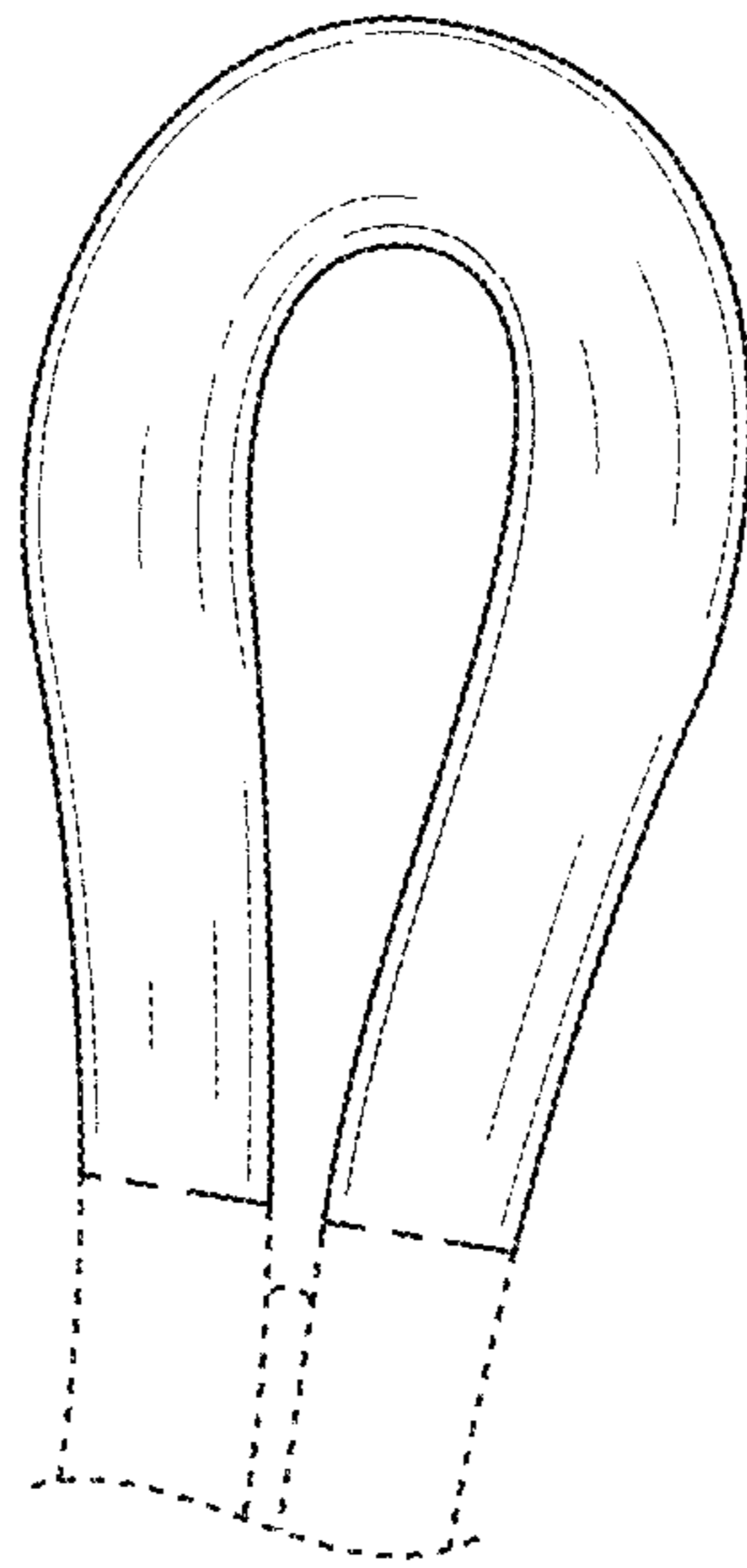


FIG. 2

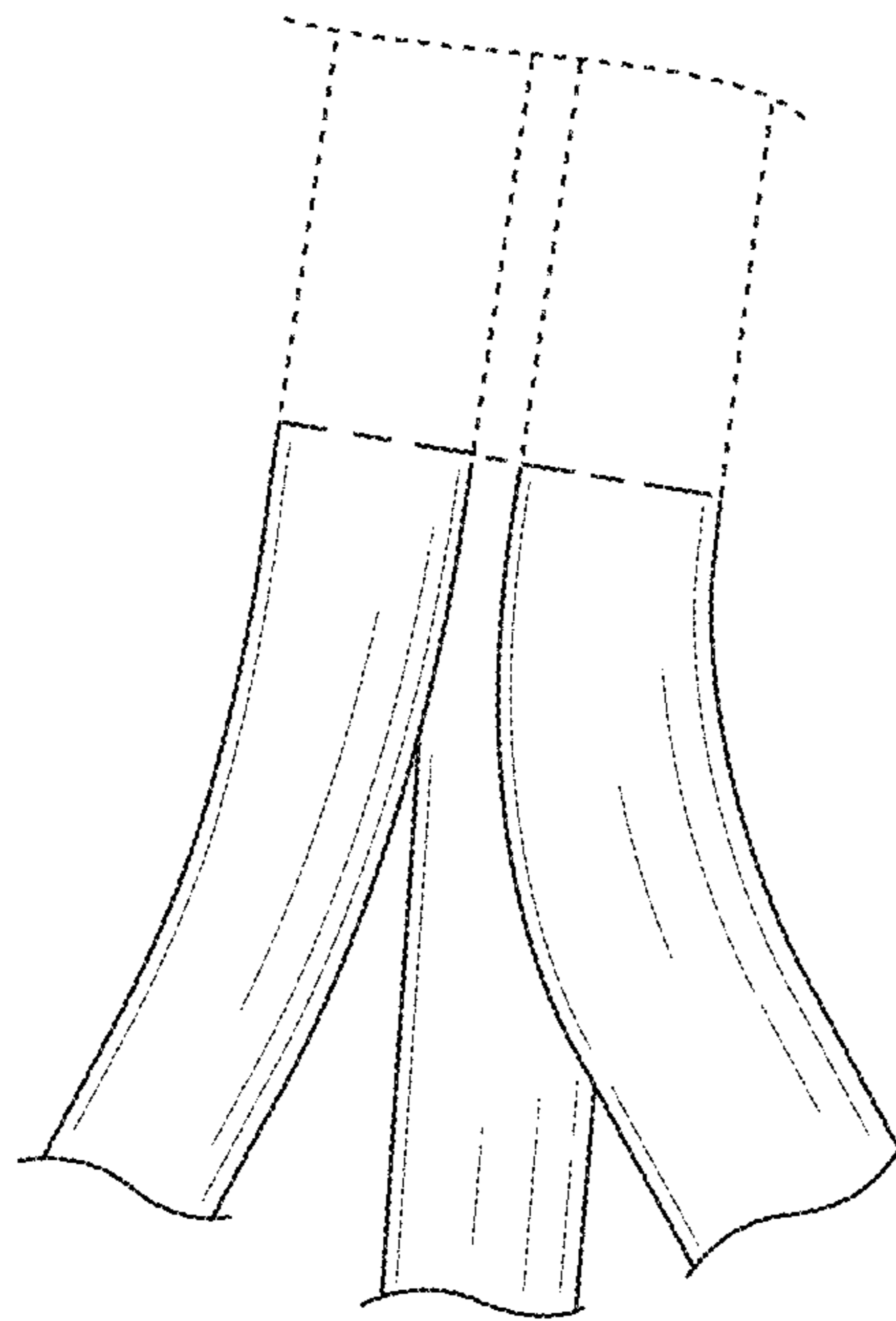


FIG. 3

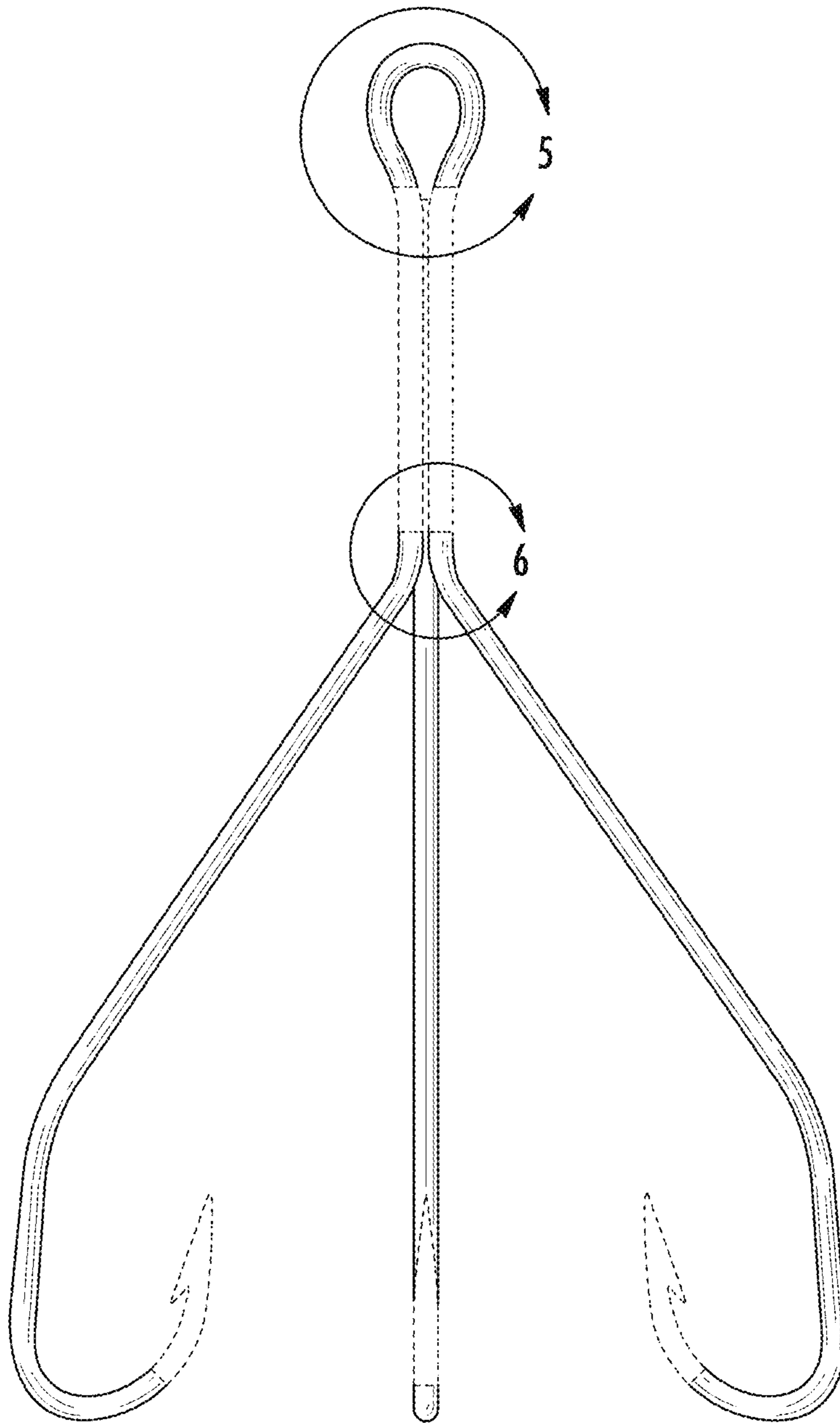


FIG. 4

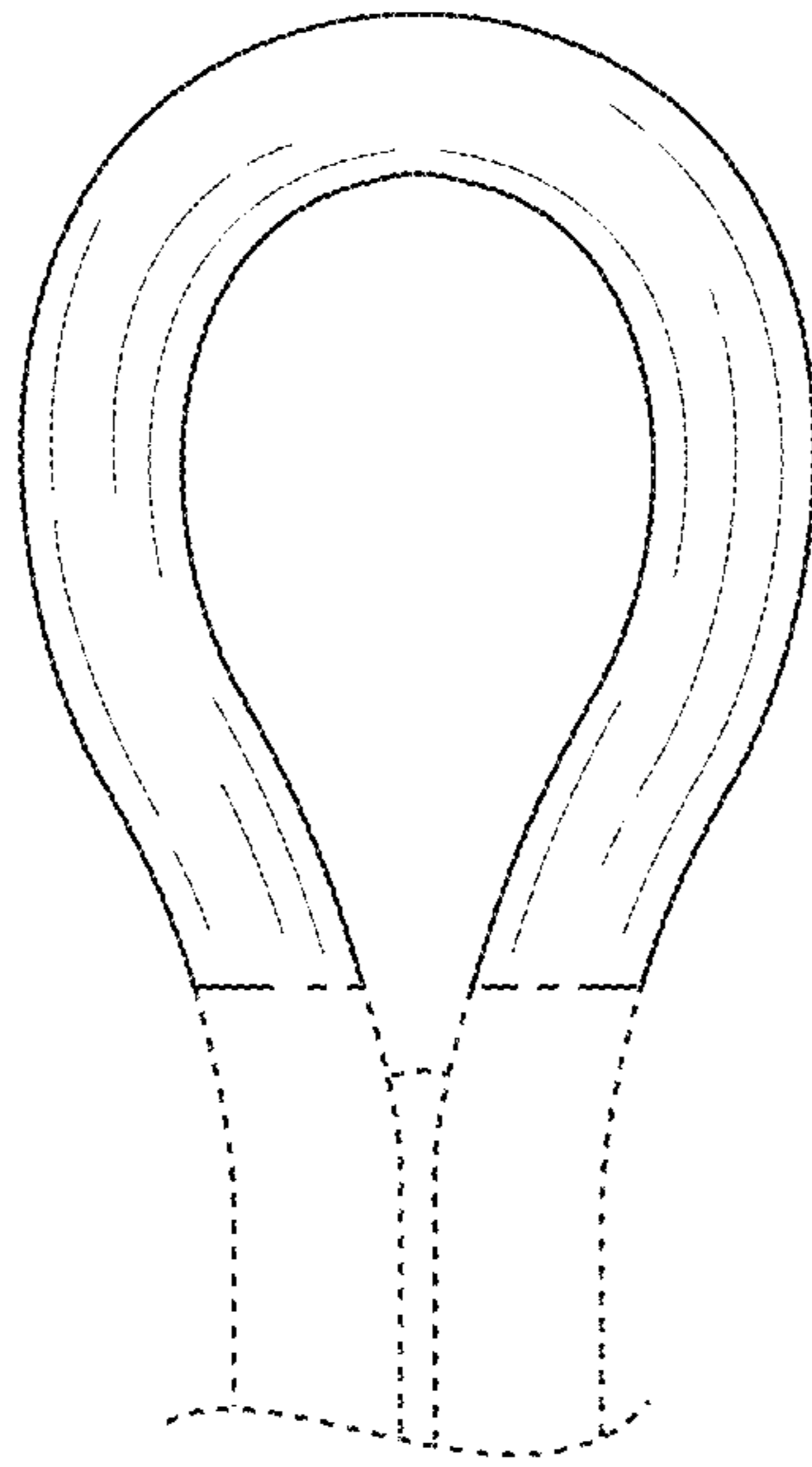


FIG. 5

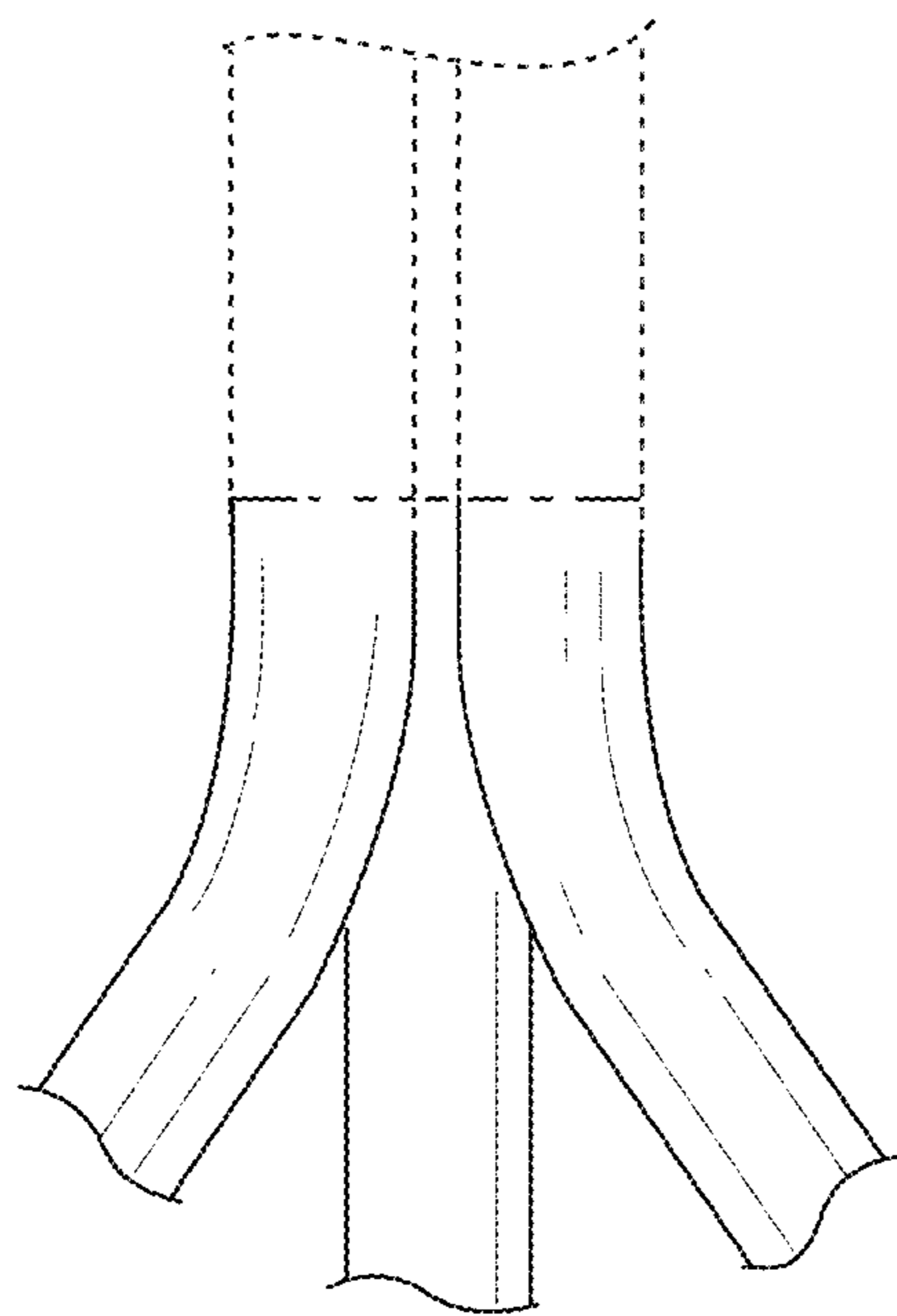


FIG. 6

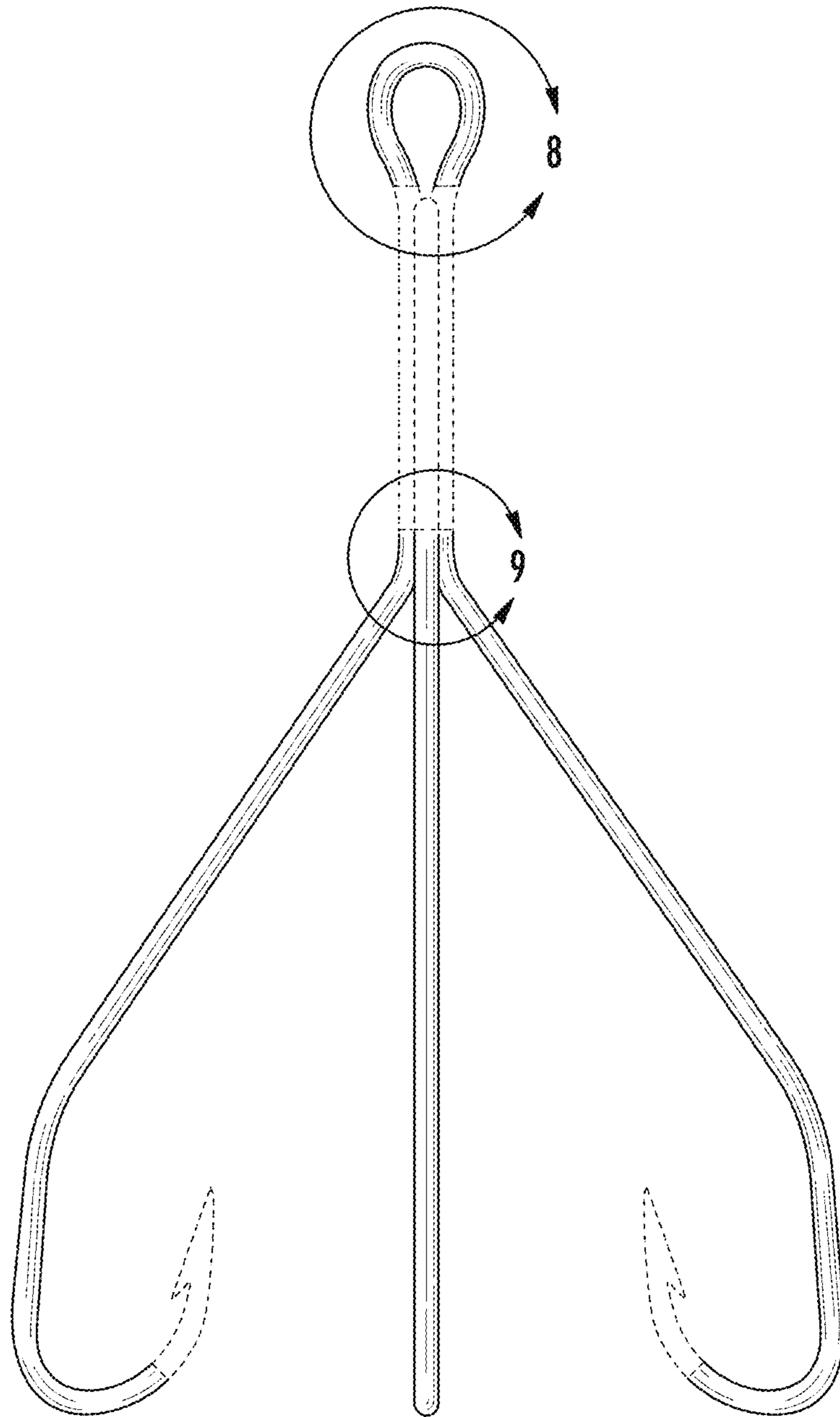


FIG. 7

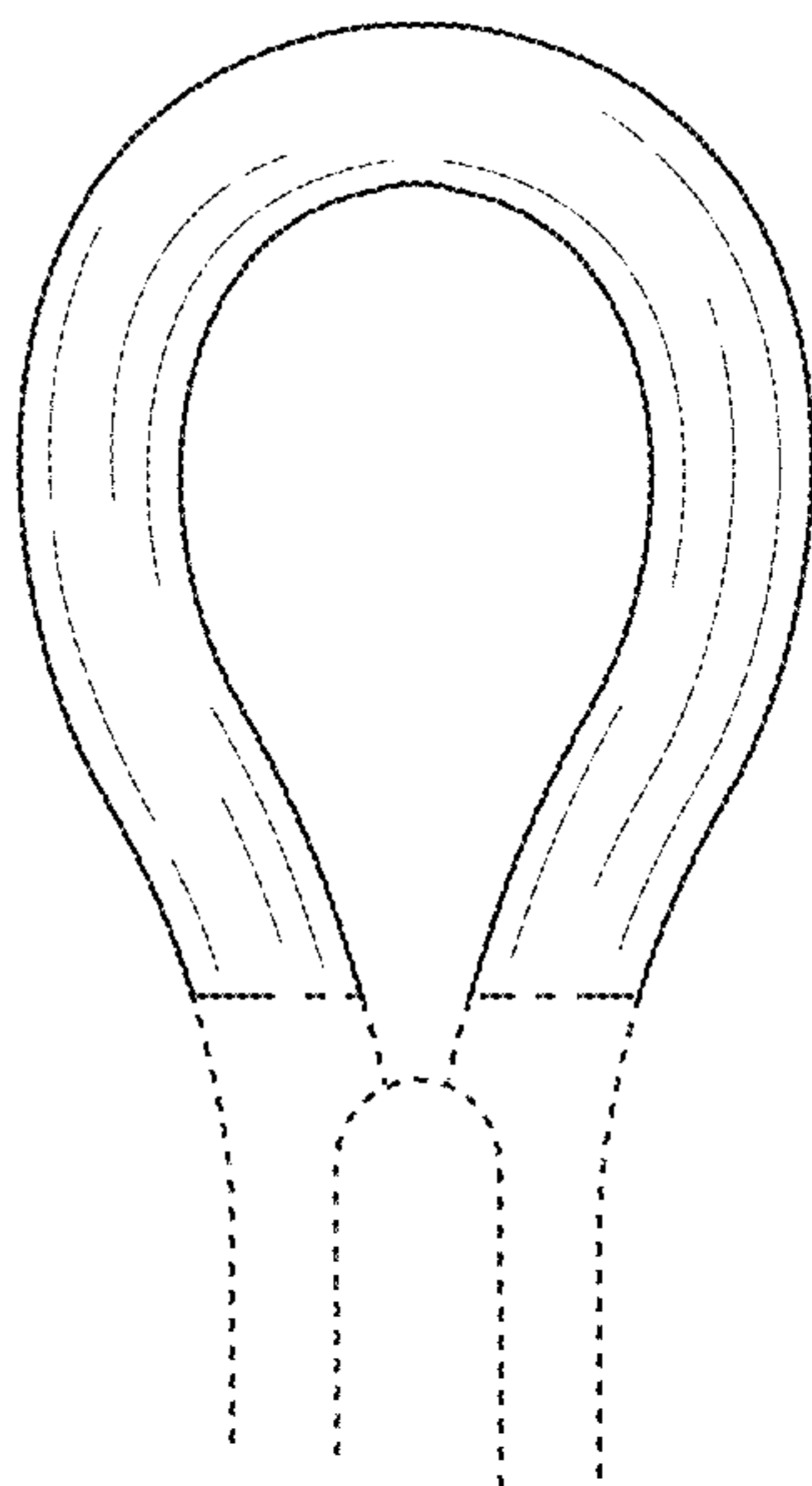


FIG. 8

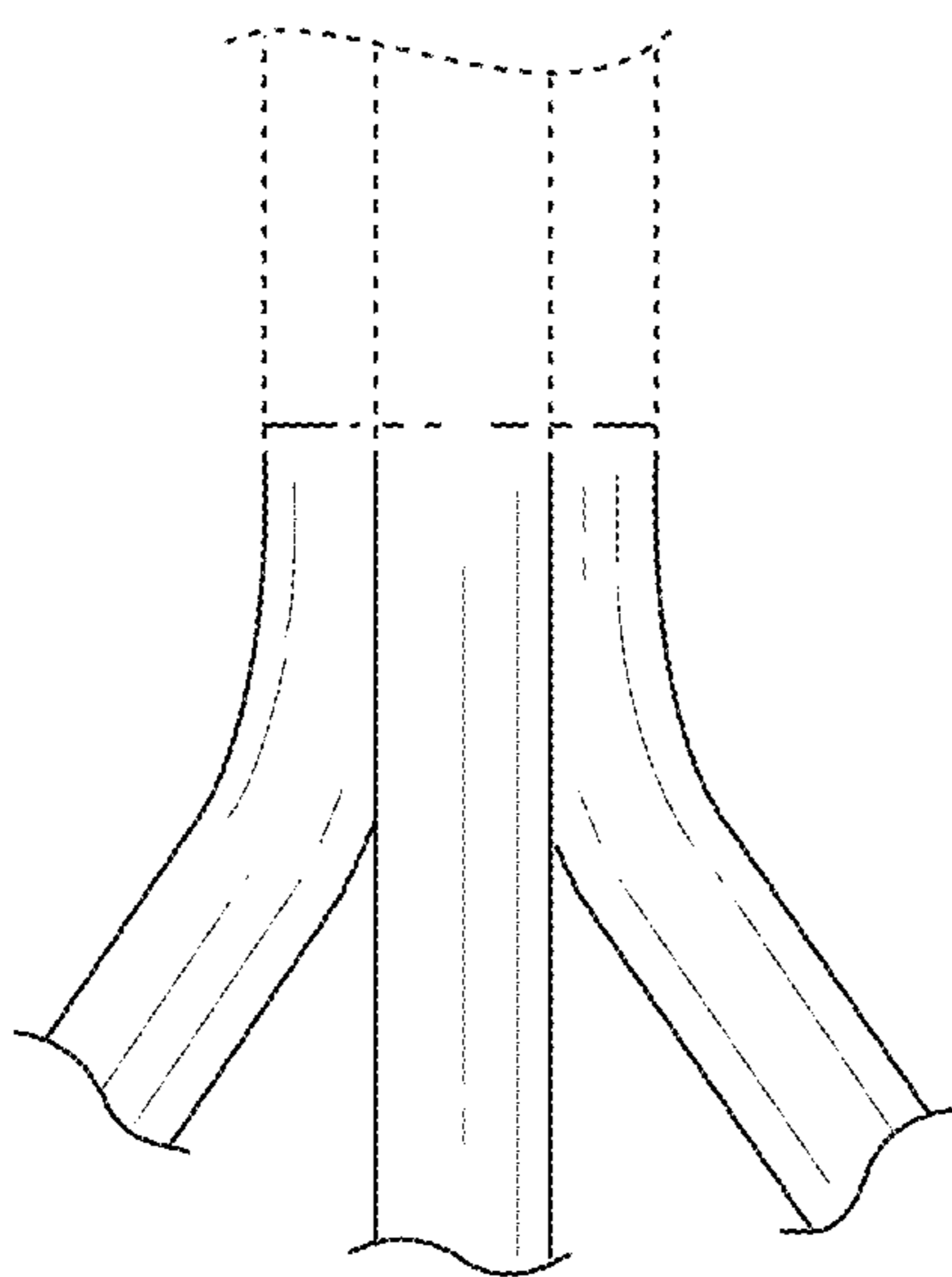


FIG. 9

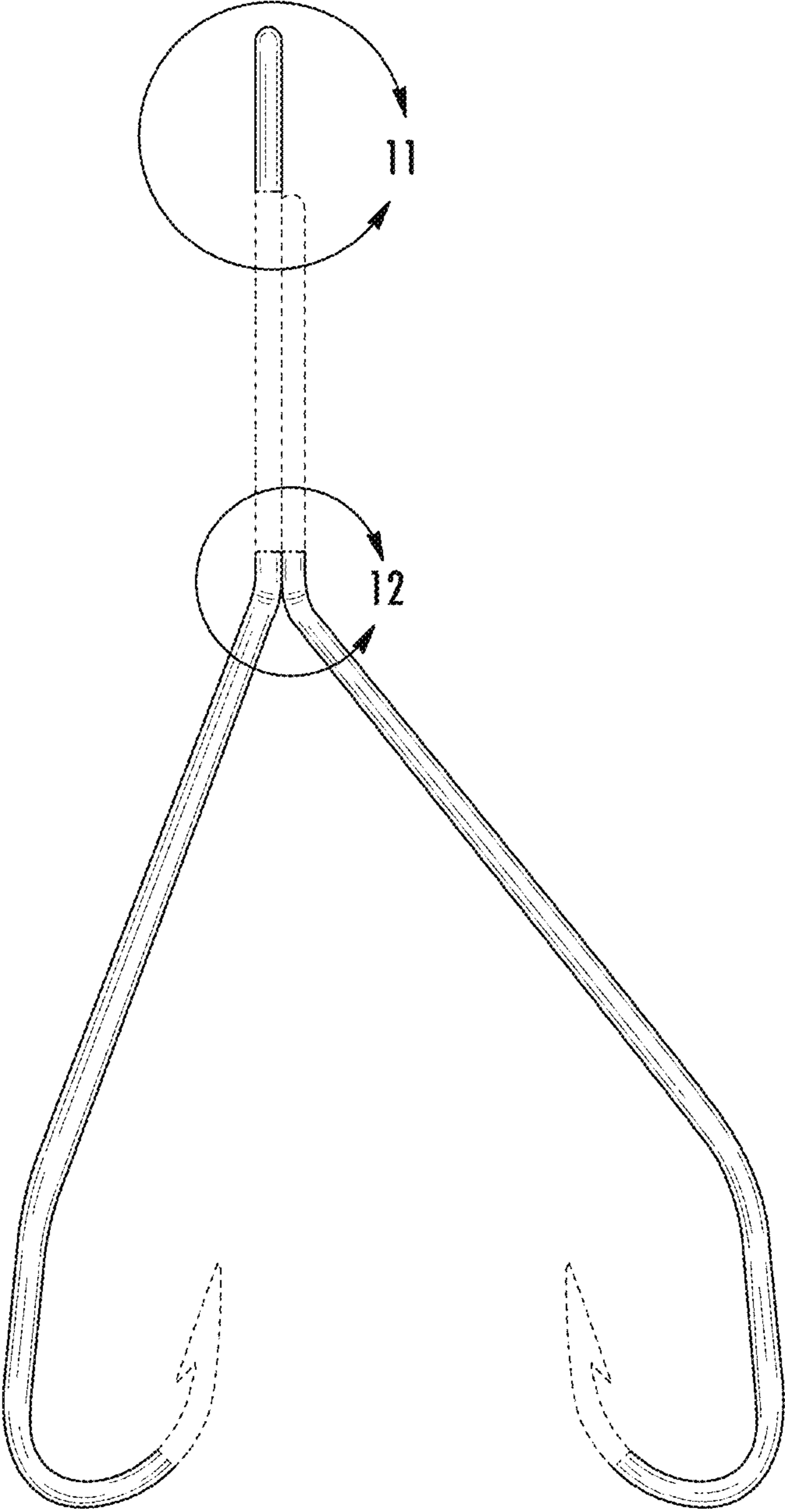


FIG. 10

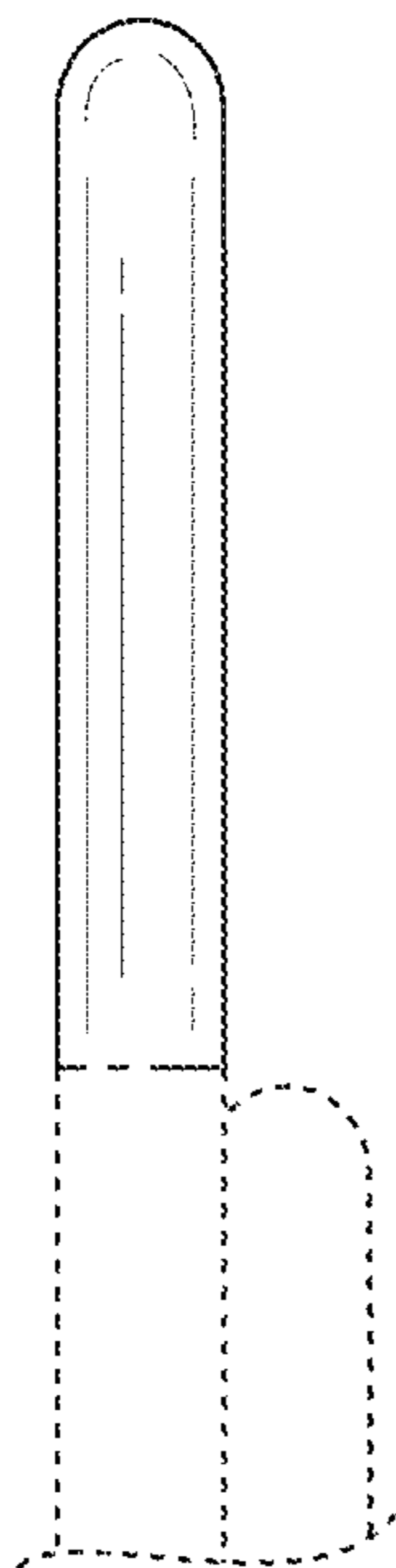


FIG. 11

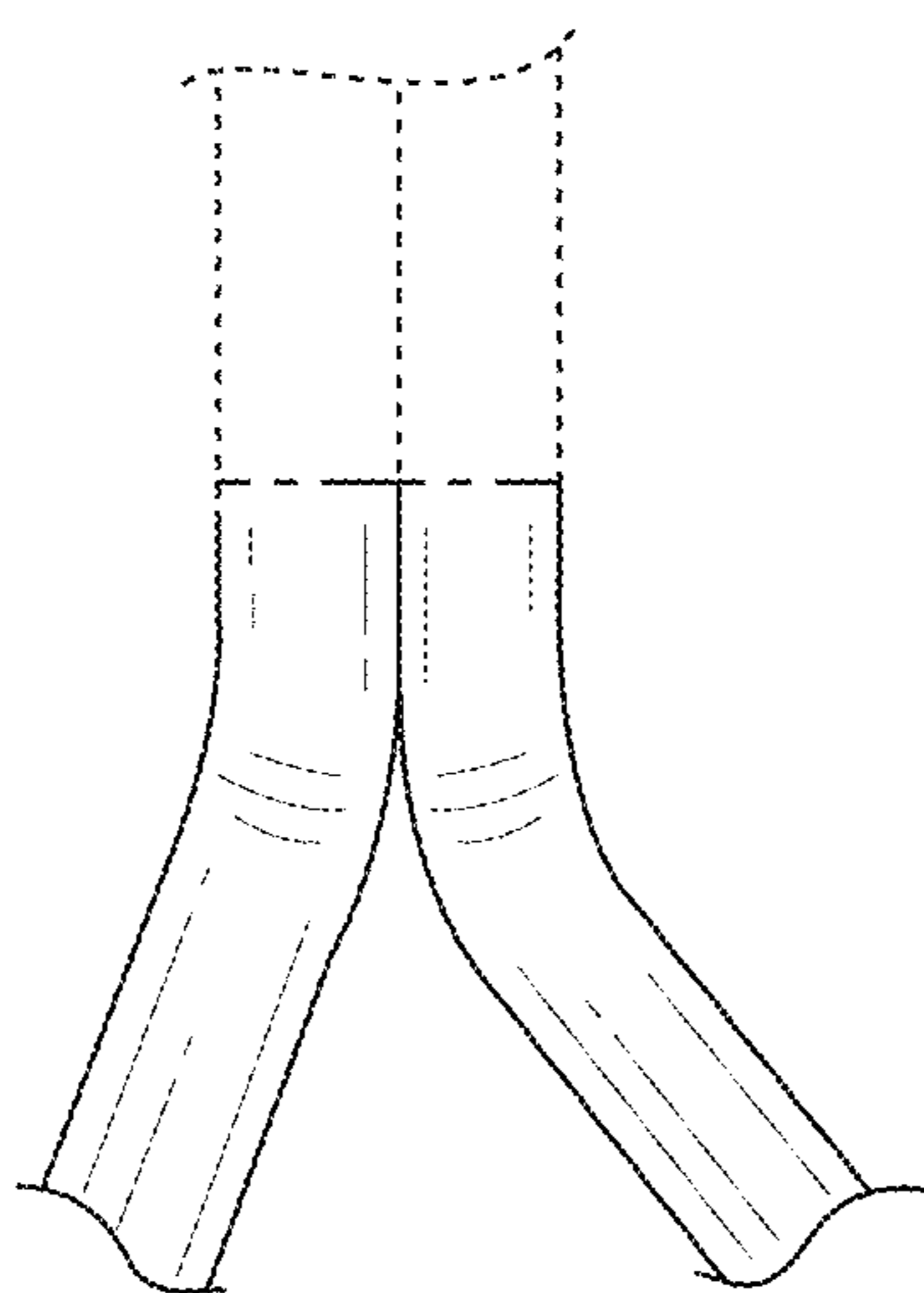


FIG. 12

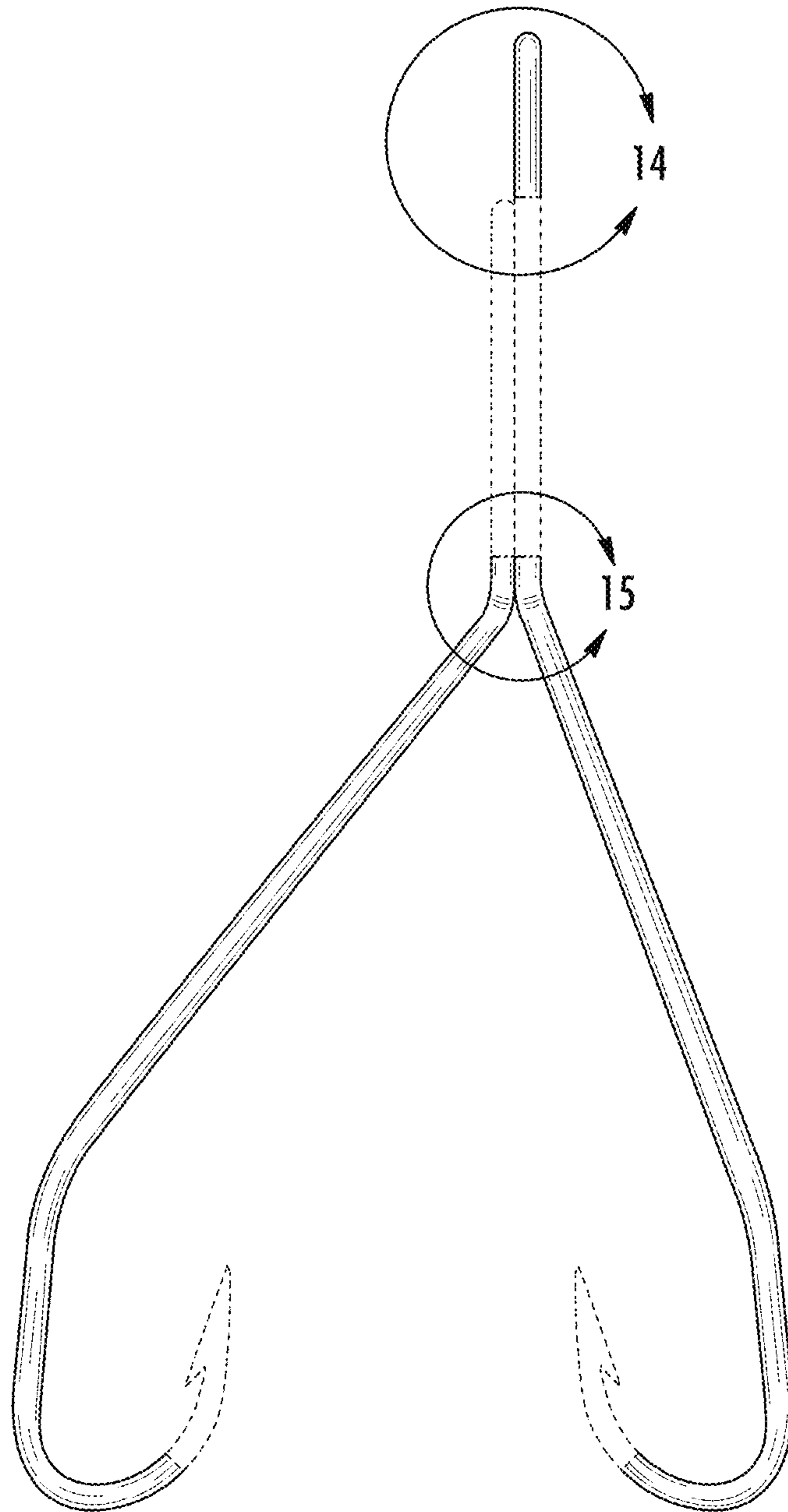


FIG. 13

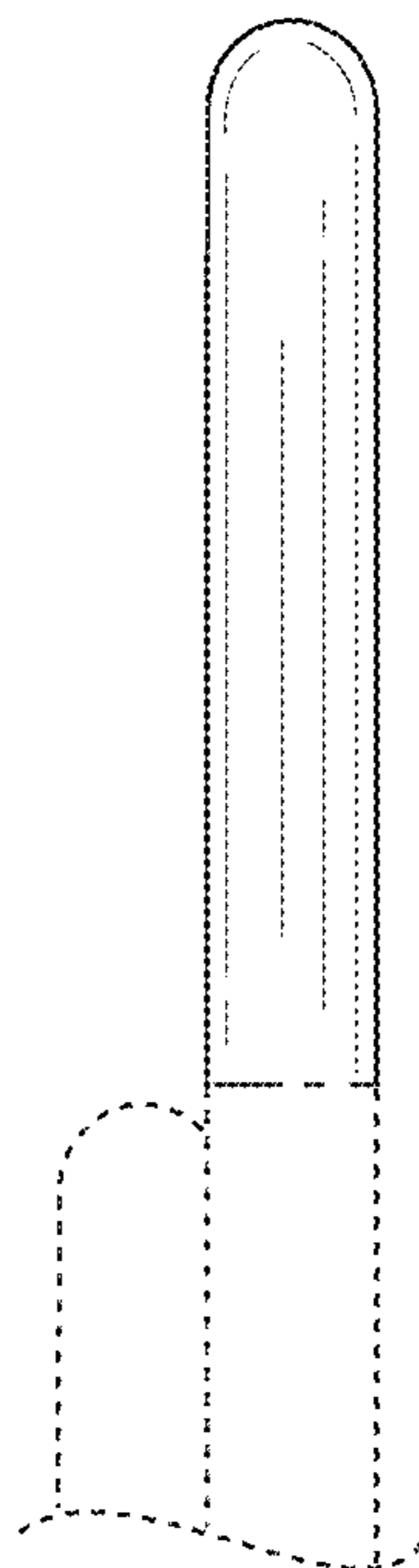


FIG. 14

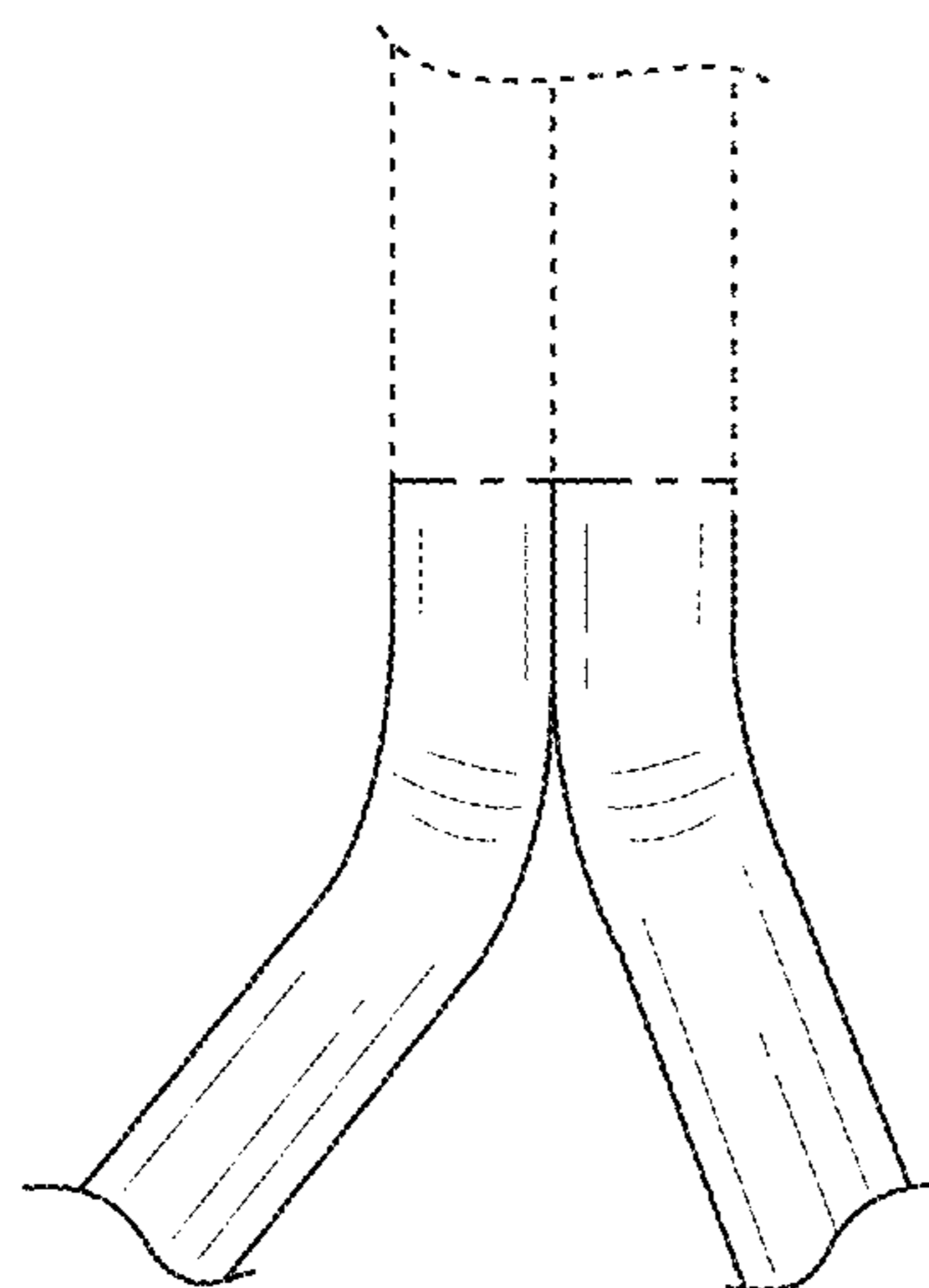


FIG. 15

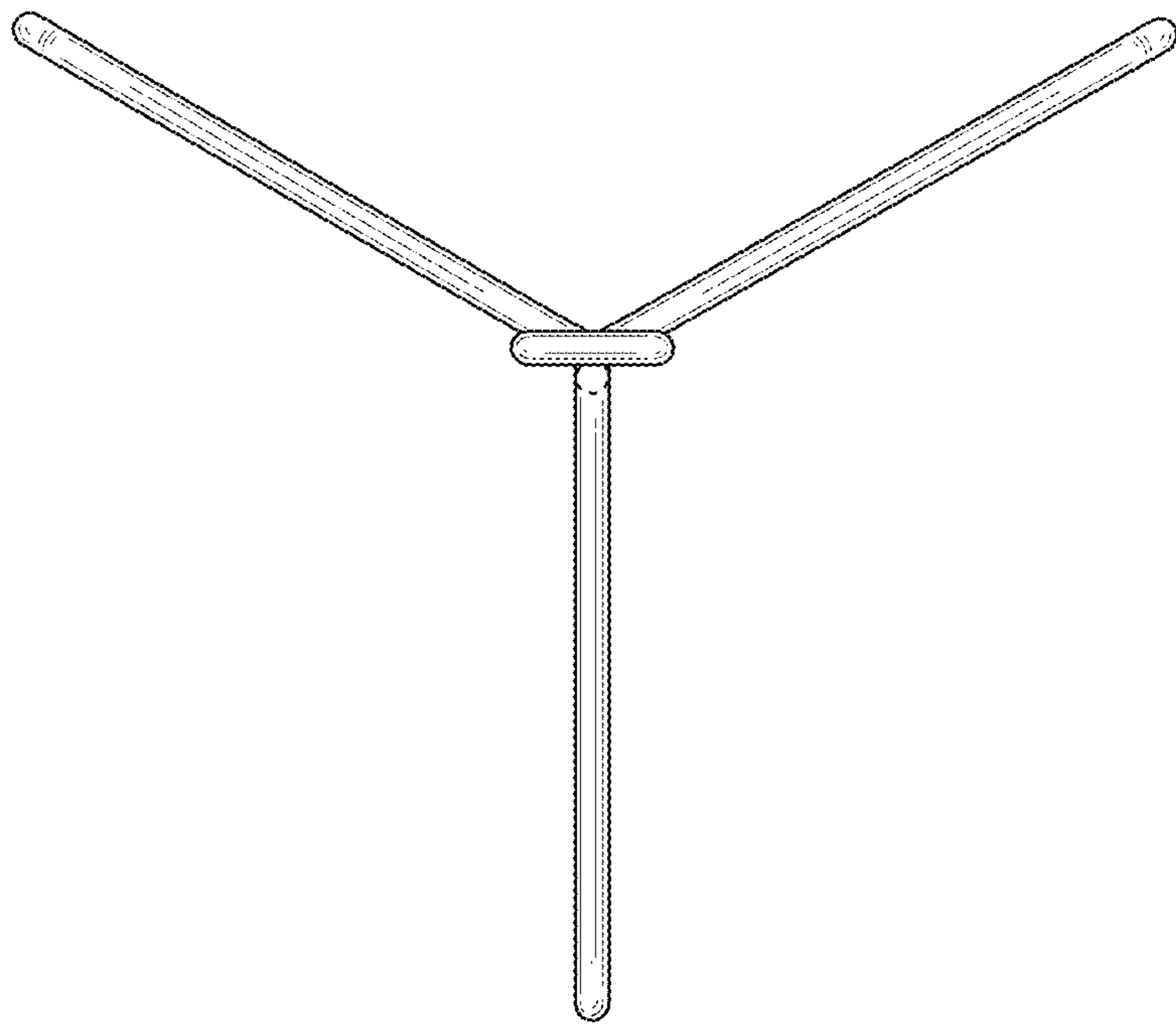


FIG. 16

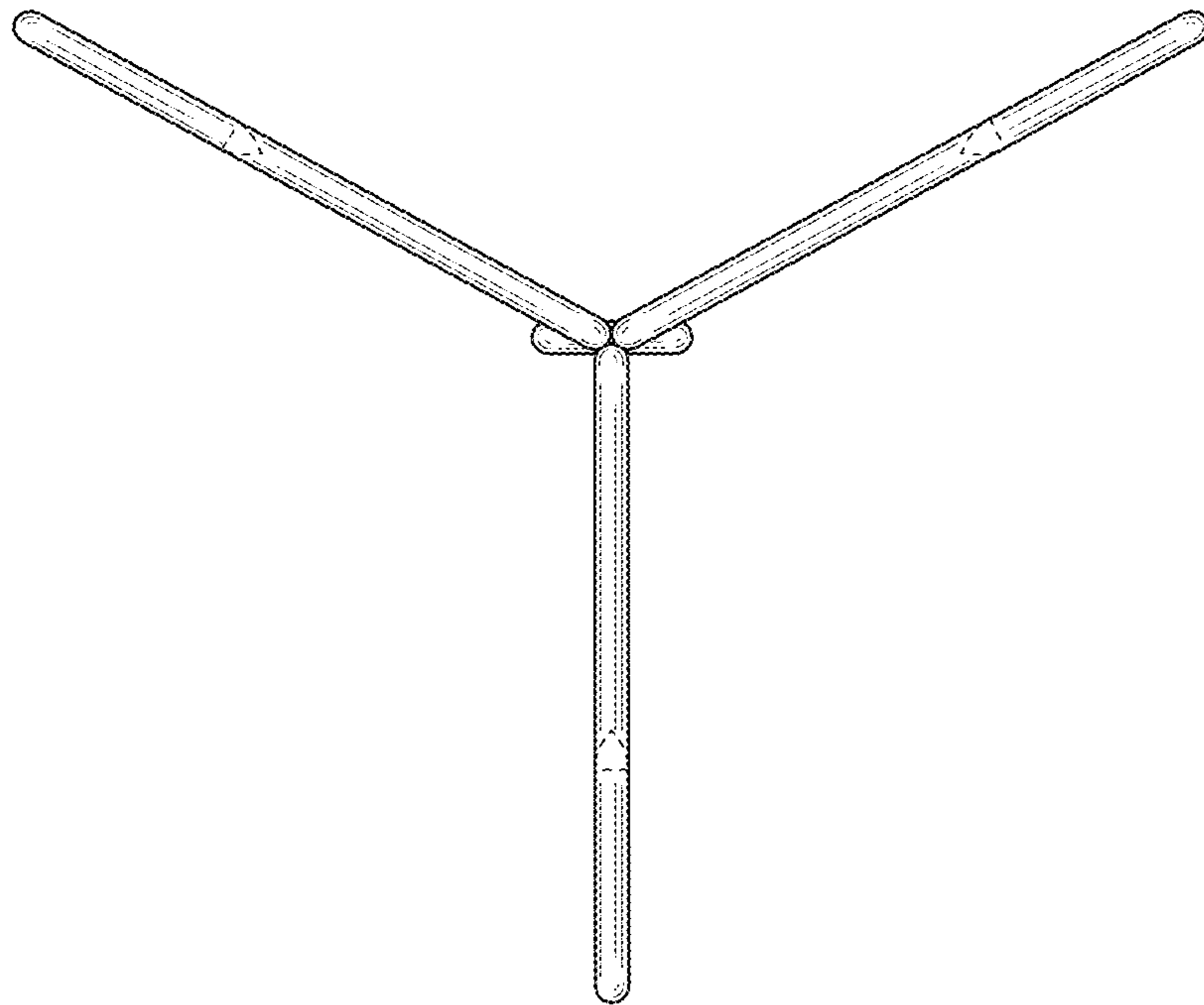


FIG. 17