



US00D776231S

(12) **United States Design Patent** (10) **Patent No.:** **US D776,231 S**
Christensen et al. (45) **Date of Patent:** **** Jan. 10, 2017**

(54) **FISH RETAINING DEVICE**

(71) Applicant: **Kari Christensen**, Morinville (CA)

(72) Inventors: **Kari Christensen**, Morinville (CA);
Lucien Dnestrianschii, St. Albert (CA)

(**) Term: **15 Years**

(21) Appl. No.: **29/542,029**

(22) Filed: **Oct. 9, 2015**

(51) **LOC (10) Cl.** **22-05**

(52) **U.S. Cl.**
USPC **D22/135**

(58) **Field of Classification Search**
USPC D22/121, 126, 134, 135, 149, 199
CPC A01K 63/006; A01K 69/08; G01B 3/04;
H04M 1/0264
See application file for complete search history.

(56) **References Cited**

U.S. PATENT DOCUMENTS

- 1,474,804 A * 11/1923 Tyrrell G01B 3/04
33/403
- D220,395 S * 4/1971 Gerell D22/149
- 4,107,867 A * 8/1978 Kennedy A01K 69/08
43/100
- D336,508 S * 6/1993 Mathews D22/135
- D399,912 S * 10/1998 Kopp, III D22/126
- D425,172 S * 5/2000 Hall D22/134
- D435,884 S * 1/2001 Dehaan D21/572
- D435,885 S * 1/2001 Wallace D22/100

- D709,589 S * 7/2014 Zebny D22/134
- 2009/0293337 A1 * 12/2009 Arita A01K 63/006
43/8
- 2013/0331146 A1 * 12/2013 Wills H04M 1/0264
455/556.1

* cited by examiner

Primary Examiner — Manpreet Matharu
Assistant Examiner — Suzanne Tisdell

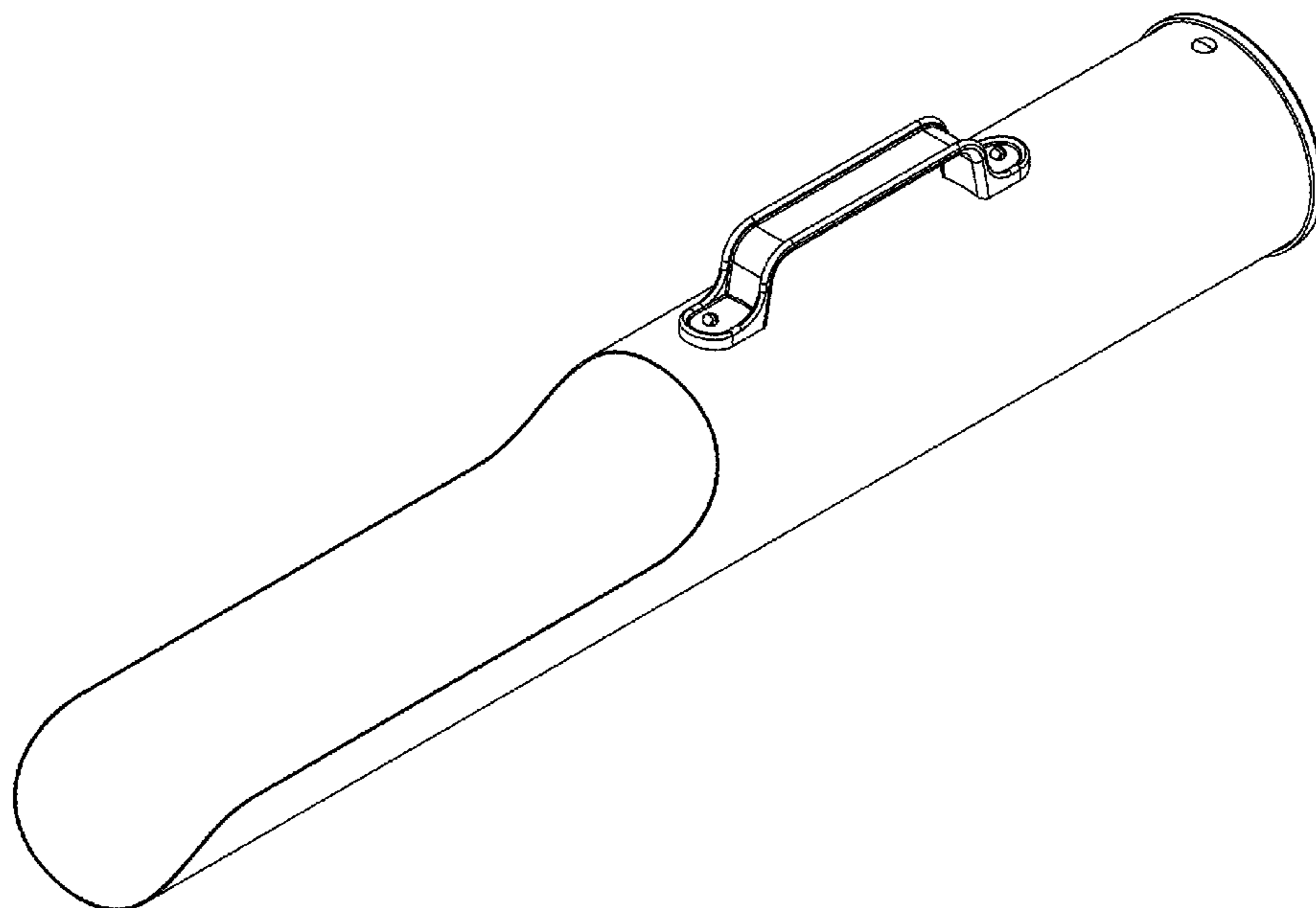
(57) **CLAIM**

We claim the ornamental design for a fish retaining device, as shown and described.

DESCRIPTION

FIG. 1 is a front perspective view of the fish retaining device;
 FIG. 2 is a rear perspective view of the fish retaining device shown in FIG. 1;
 FIG. 3 is a side elevation view of the fish retaining device shown in FIG. 1;
 FIG. 4 is a top plan view of the fish retaining device shown in FIG. 1;
 FIG. 5 is a bottom plan view of the fish retaining device shown in FIG. 1;
 FIG. 6 is a front elevation view of the fish retaining device shown in FIG. 1; and,
 FIG. 7 is a rear elevation view of the fish retaining device shown in FIG. 1.

1 Claim, 7 Drawing Sheets



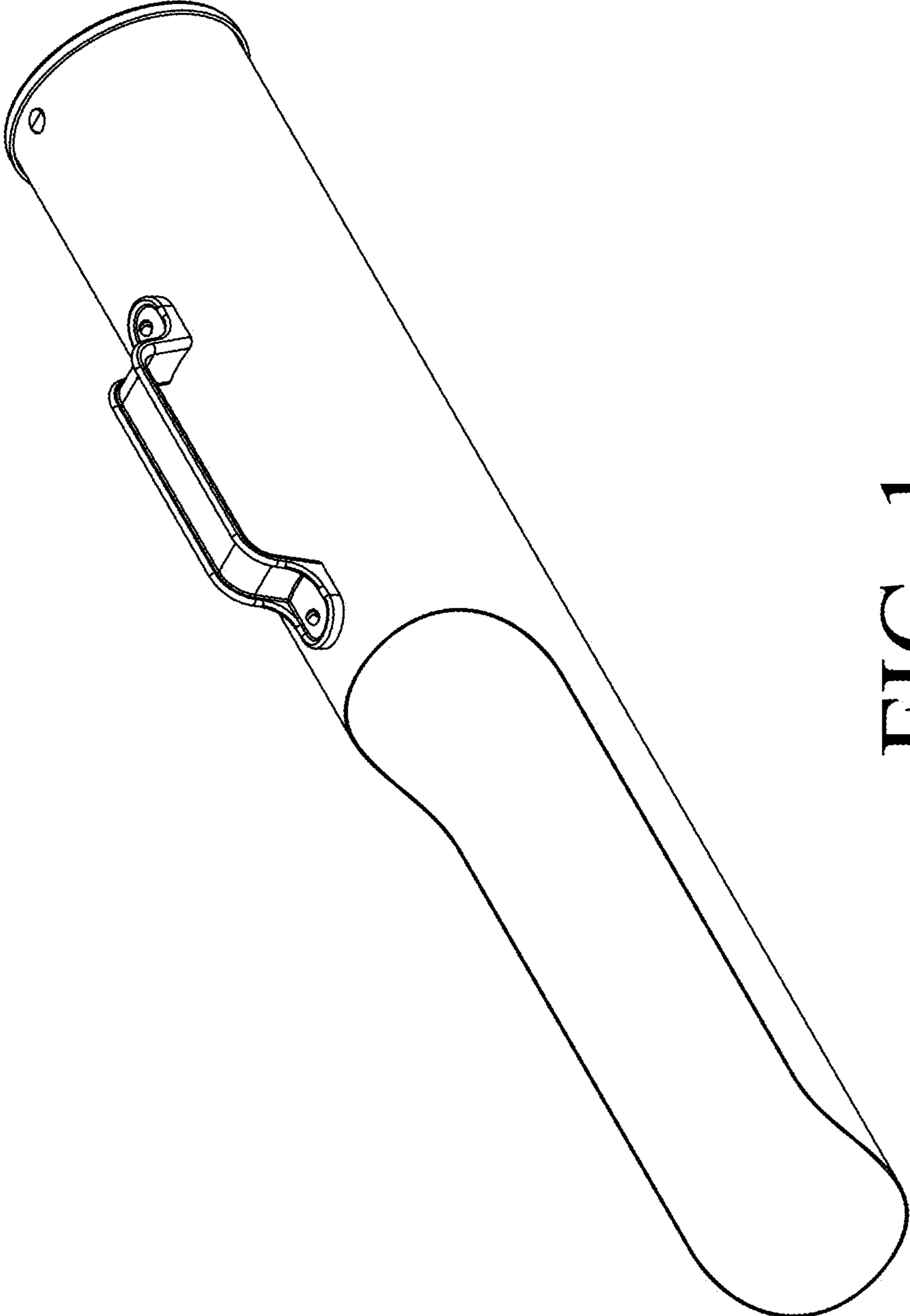


FIG. 1

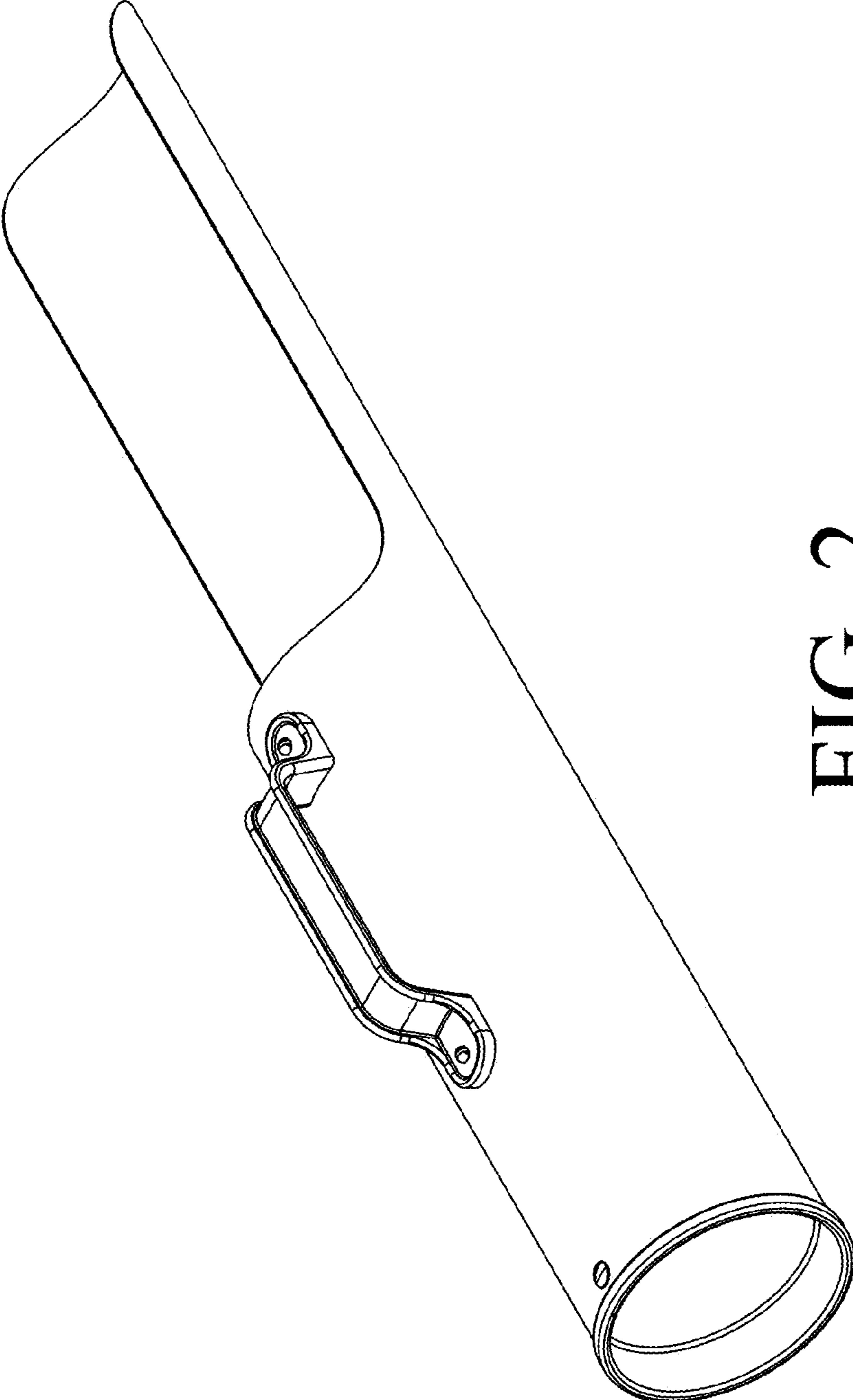


FIG. 2

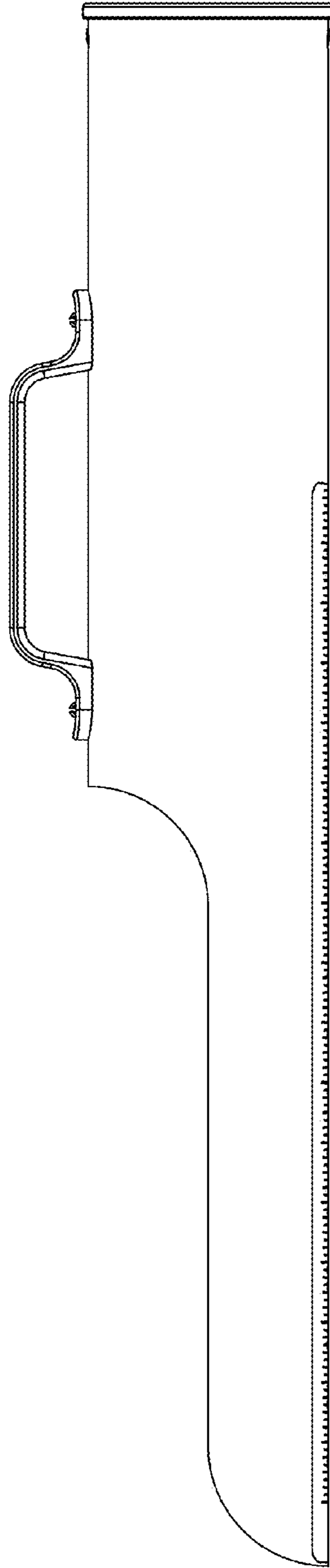


FIG. 3

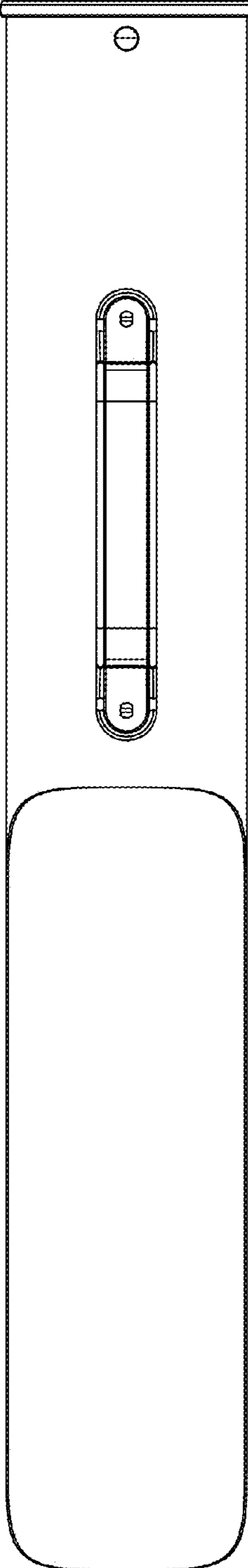


FIG. 4

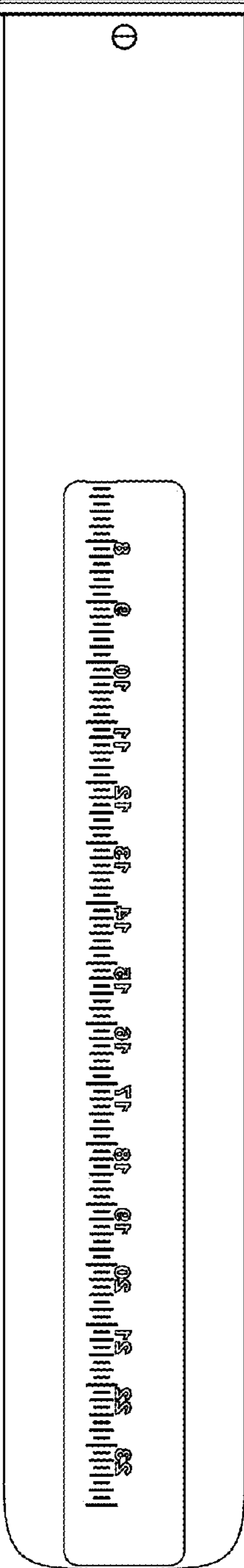


FIG. 5

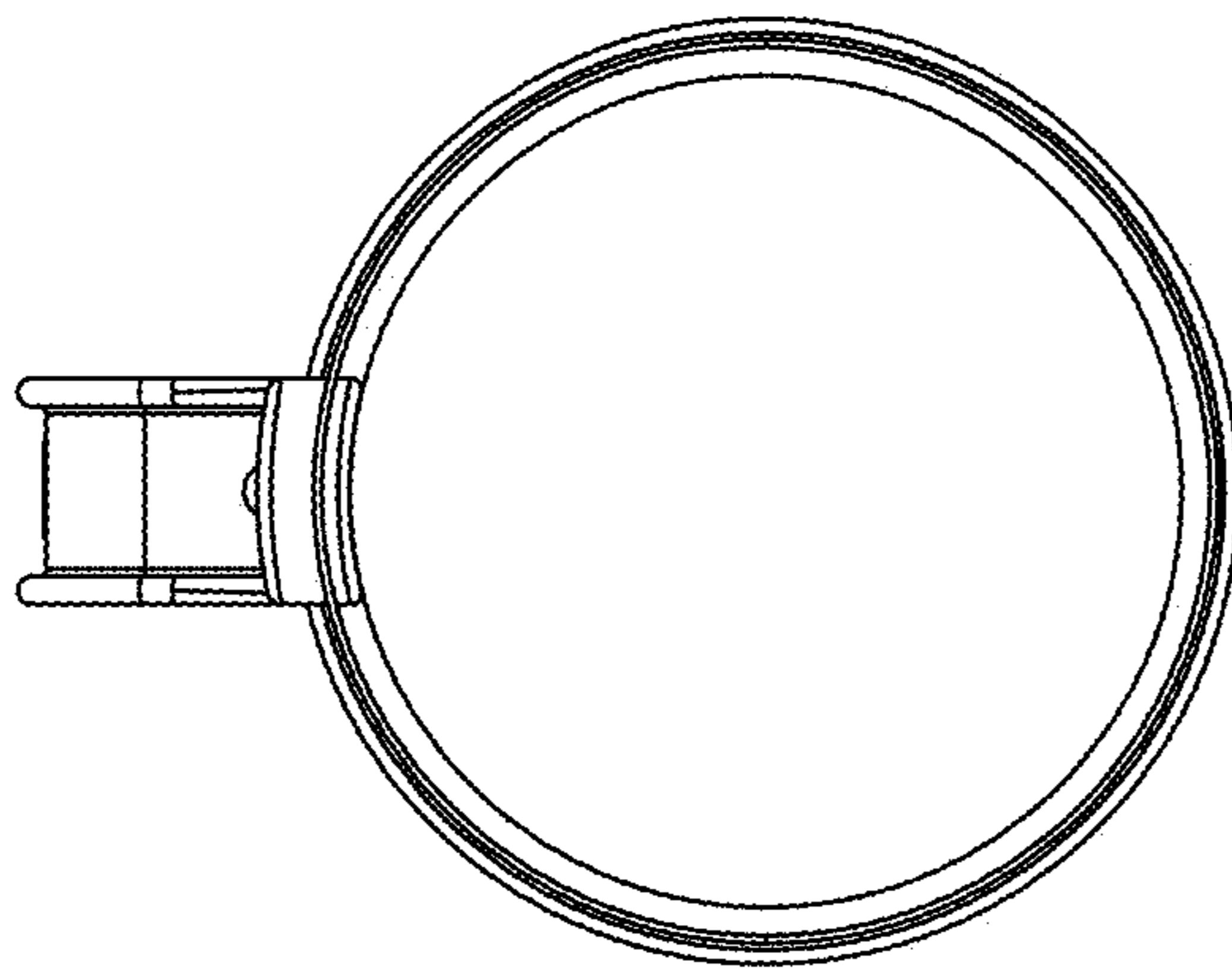


FIG. 6

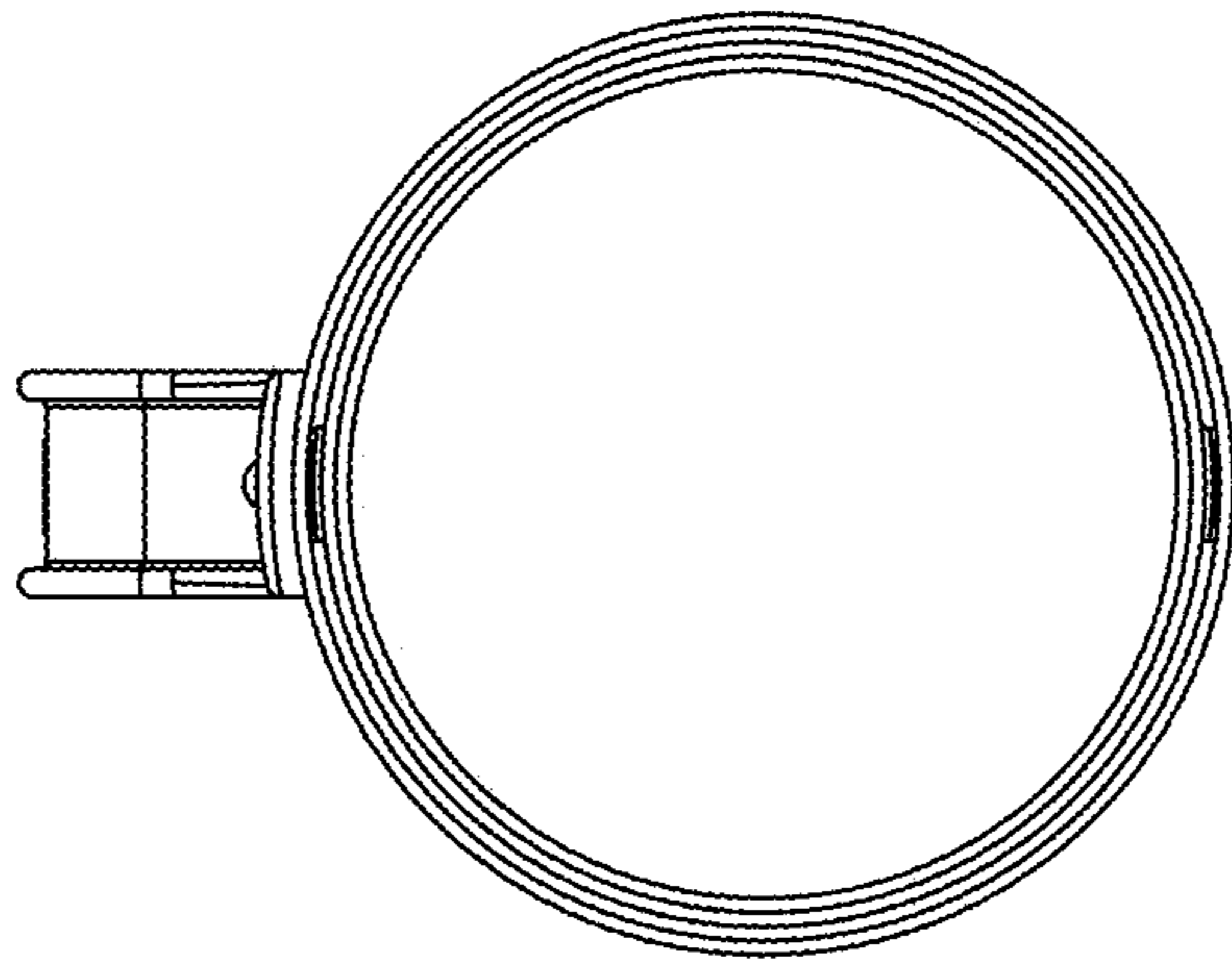


FIG. 7