



US00D776228S

(12) **United States Design Patent**  
**Caruso**

(10) **Patent No.:** **US D776,228 S**

(45) **Date of Patent:** **\*\* Jan. 10, 2017**

- (54) **CYLINDRICAL INSECT TRAP**
- (71) Applicant: **Green Earth Products**, Diamond Springs, CA (US)
- (72) Inventor: **Bob Caruso**, Placerville, CA (US)
- (73) Assignee: **Green Earth Products**, Diamond Springs, CA (US)
- (\*\*) Term: **15 Years**
- (21) Appl. No.: **29/541,692**
- (22) Filed: **Oct. 7, 2015**
- (51) **LOC (10) Cl.** ..... **22-06**
- (52) **U.S. Cl.**  
USPC ..... **D22/122**
- (58) **Field of Classification Search**  
USPC . D22/119-124; D14/204, 216, 221; D9/424, D9/428, 432; D30/115, 117, 124, 128; D26/37  
CPC ..... A01M 1/00; A01M 1/02; A01M 1/06; A01M 1/10; A01M 1/14; A01M 1/20103; A01M 1/106; A01M 1/165; A01M 1/2005; A01M 1/2011; A01M 1/2016; A01M 2200/01; A01M 2200/011; A01M 2200/012; A01M 1/023  
See application file for complete search history.

- 2,796,696 A \* 6/1957 Kea ..... A01M 1/02 43/121
- 3,108,391 A \* 10/1963 Sipos ..... A01M 1/04 43/113
- 3,708,908 A \* 1/1973 Levey ..... A01M 1/02 229/109
- 4,577,434 A \* 3/1986 Davis ..... A01M 1/145 43/114
- 4,802,303 A \* 2/1989 Floyd, III ..... A01M 1/02 43/114
- 5,048,224 A \* 9/1991 Frisch ..... A01M 1/14 43/107

(Continued)

**FOREIGN PATENT DOCUMENTS**

- CA 1125509 A \* 6/1982 ..... A01M 1/02

**OTHER PUBLICATIONS**

DuraBlack, Stainless Steel Single-Wall Pipe, as posted at NorthlineExpress [online], first review posted Mar. 12, 2013 [site visited Oct. 18, 2016]. Available from the Internet, <URL: [https://www.northlineexpress.com/6-x-48-durablack-stainless-steel-single-wall-pipe-6dbk-48ss-5695.html?\\_store=nle](https://www.northlineexpress.com/6-x-48-durablack-stainless-steel-single-wall-pipe-6dbk-48ss-5695.html?_store=nle)>.\*

*Primary Examiner* — Jeffrey D Asch  
*Assistant Examiner* — Rebekah A Caruso  
(74) *Attorney, Agent, or Firm* — Temmerman Law Office; Mathew J. Temmerman

(56) **References Cited**

**U.S. PATENT DOCUMENTS**

- 663,728 A \* 12/1900 Church ..... A01M 1/14 43/114
- 914,571 A \* 3/1909 Heath et al. .... A01M 1/103 43/121
- 1,013,514 A \* 1/1912 Rand ..... 43/131
- 1,394,497 A \* 10/1921 Heller ..... A01M 1/02 206/0.5
- 1,477,273 A \* 12/1923 Liss ..... A01M 1/2044 43/131
- 2,086,046 A \* 7/1937 Preston ..... A01M 1/2055 424/84

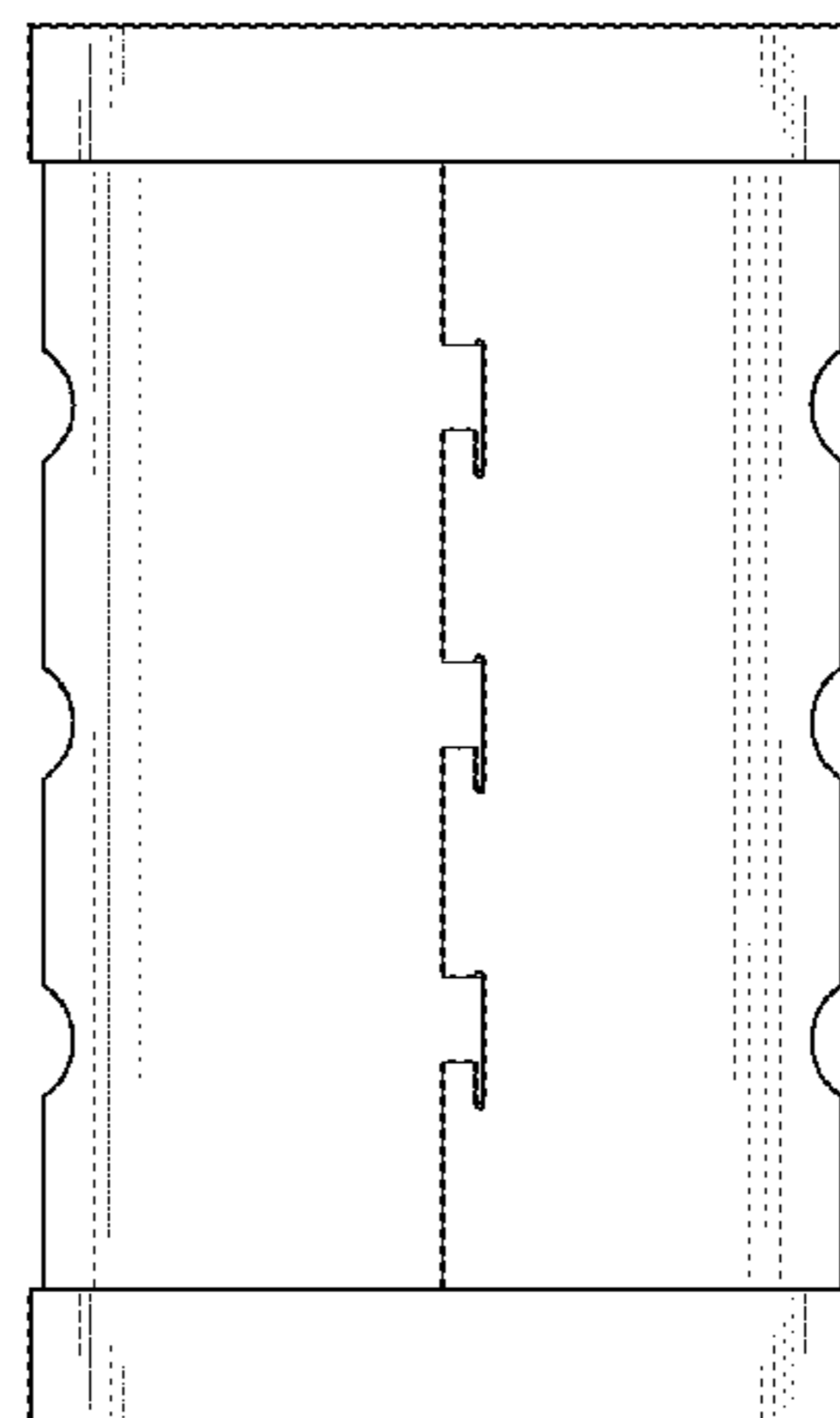
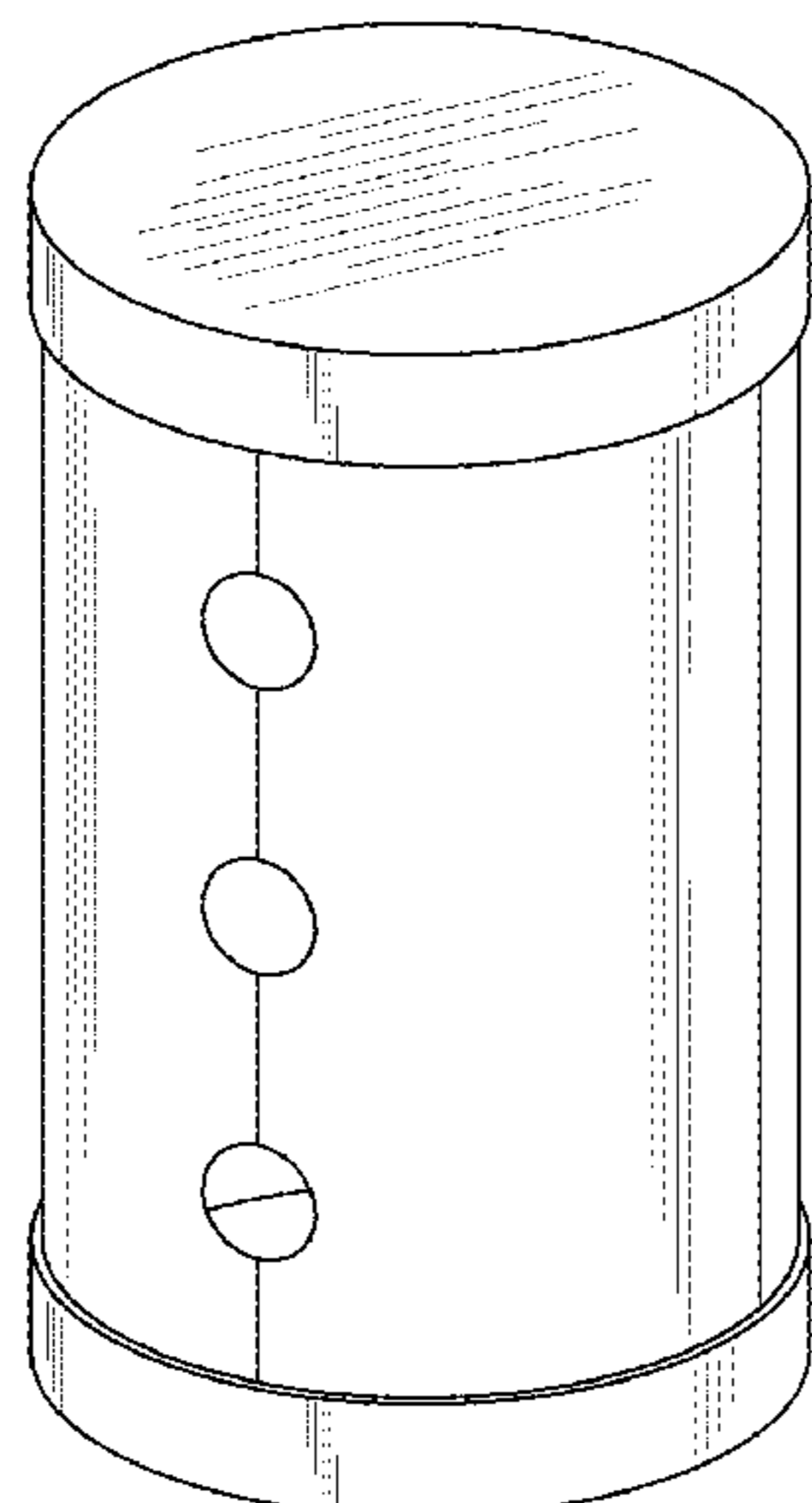
(57) **CLAIM**

I claim the ornamental design for a cylindrical insect trap, as shown and described.

**DESCRIPTION**

FIG. 1 is a top, front right perspective view of a cylindrical insect trap showing my new design; FIG. 2 is a front view thereof; FIG. 3 is a right view thereof; FIG. 4 is a left view thereof; and, FIG. 5 is a top view thereof.

**1 Claim, 2 Drawing Sheets**



(56)

**References Cited**

U.S. PATENT DOCUMENTS

D324,730 S \* 3/1992 Salter ..... D22/120  
5,172,514 A \* 12/1992 Weber ..... A01M 1/02  
43/124  
5,274,949 A \* 1/1994 Beaton ..... A01M 1/04  
43/113  
5,329,726 A \* 7/1994 Thorne ..... A01M 1/026  
43/124  
5,766,617 A \* 6/1998 Heath ..... A01M 1/02  
424/407  
D436,861 S \* 1/2001 Sagel ..... D9/422  
6,202,342 B1 \* 3/2001 Edwards ..... A01M 1/026  
43/132.1  
D447,533 S \* 9/2001 Cox ..... D22/125  
6,393,761 B1 \* 5/2002 Deacon ..... A01M 1/02  
43/107  
D567,213 S \* 4/2008 Prince ..... D14/204  
D705,385 S \* 5/2014 Young ..... D22/119  
D768,258 S \* 10/2016 Godin ..... D22/122

\* cited by examiner

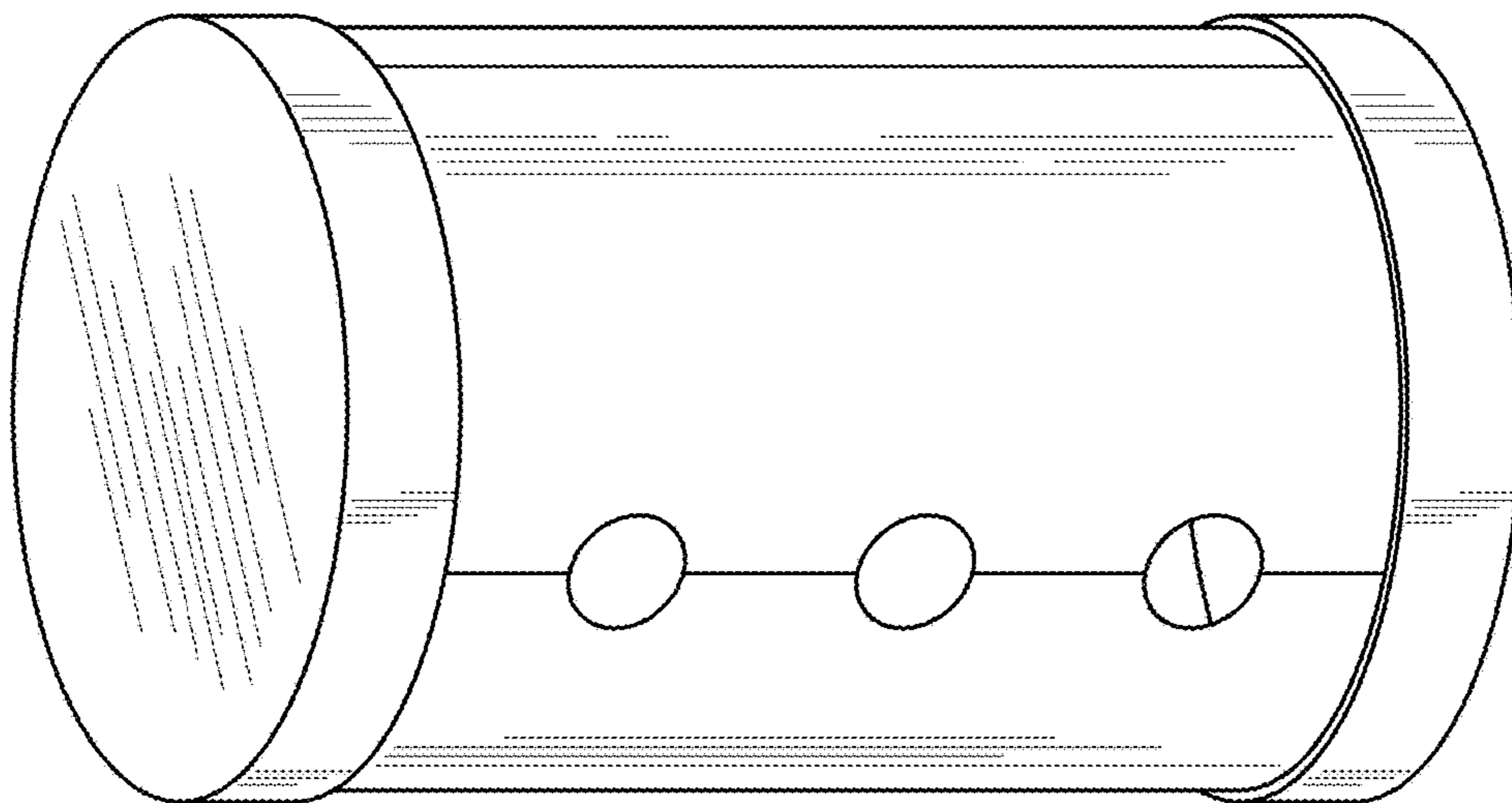


FIG. 1

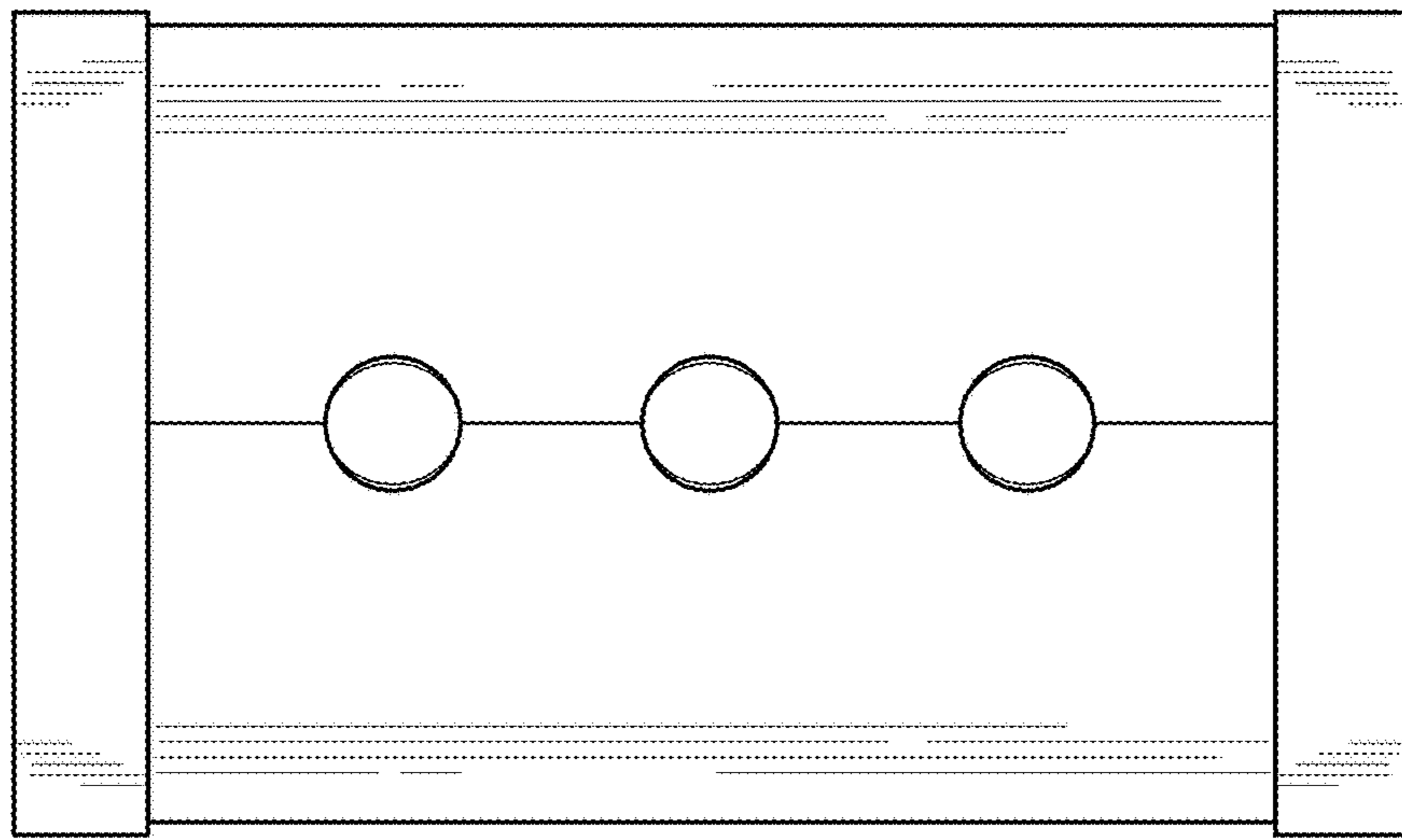


FIG. 2

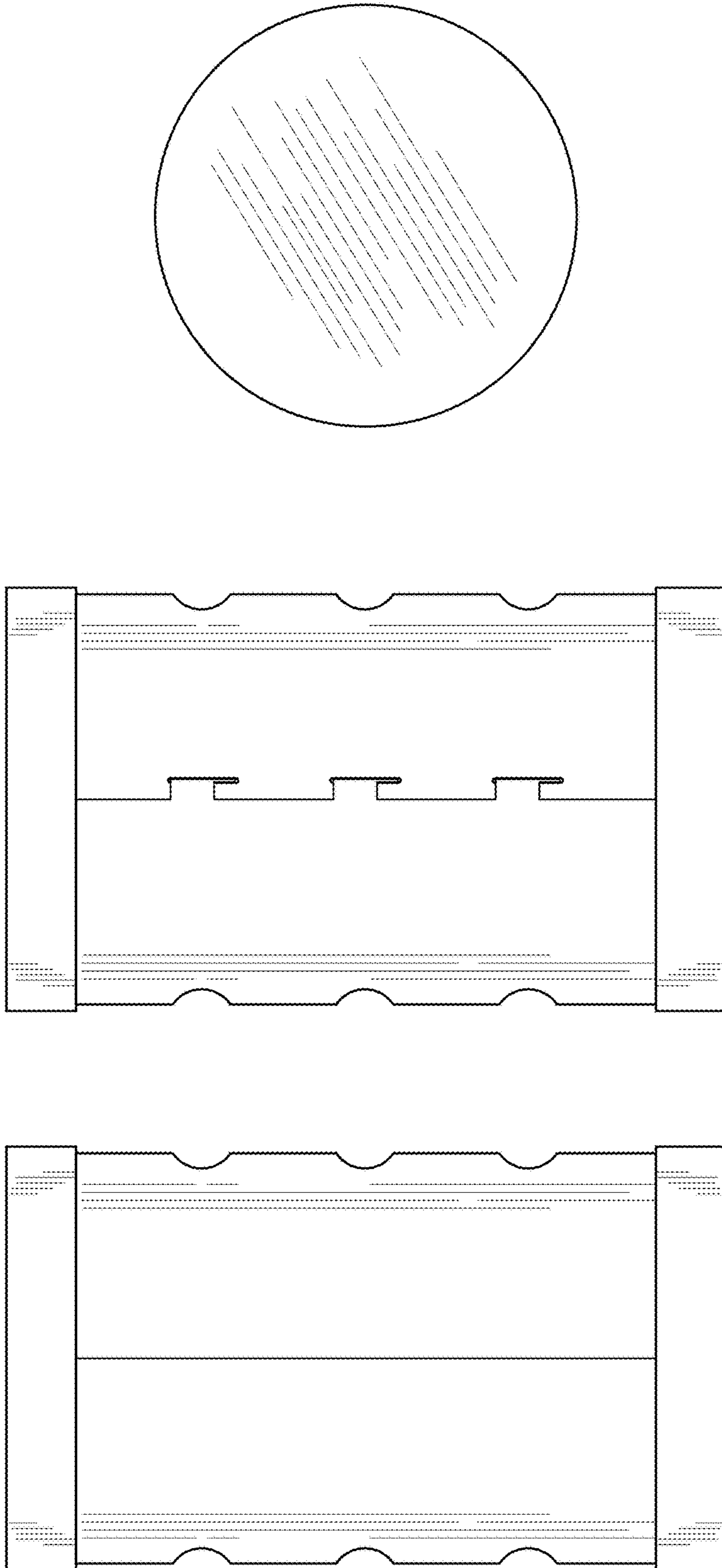


FIG. 5

FIG. 4

FIG. 3