



US00D776226S

(12) **United States Design Patent**
Green et al.

(10) **Patent No.:** **US D776,226 S**

(45) **Date of Patent:** **** Jan. 10, 2017**

- (54) **FIREARM SUPPRESSOR**
- (71) Applicant: **Hearing Protection LLC**, Dousman, WI (US)
- (72) Inventors: **Austin R. Green**, Wales, WI (US);
Evan R. Green, Wales, WI (US)
- (73) Assignee: **HEARING PROTECTION LLC**, Dousman, WI (US)
- (**) Term: **15 Years**
- (21) Appl. No.: **29/541,019**
- (22) Filed: **Sep. 30, 2015**
- (51) **LOC (10) Cl.** **22-01**
- (52) **U.S. Cl.**
USPC **D22/108**
- (58) **Field of Classification Search**
USPC D9/501, 711; D19/35; D22/180, 199;
D28/88; 89/14.3, 14.4; 42/79, 90, 1.06;
124/92; 181/223
CPC F41A 21/00; F41A 31/00; F41B 5/00;
F41C 27/00
See application file for complete search history.

- 2013/0340313 A1* 12/2013 Myers F41A 21/30
42/90
- 2015/0136519 A1* 5/2015 Moore F41A 21/44
181/223
- 2015/0260473 A1* 9/2015 Barney F41A 21/30
89/14.4

OTHER PUBLICATIONS

Griffen Armament, 30 SD (7.52mm) QD Suppressor, Wayback Machine May 14, 2015, [site visited Jul. 18, 2016], Available on the Internet URL: <<http://web.archive.org/web/20150514035616/http://www.griffinarmament.com/30SD-762mm-QD-Silencer-p/ga30sd.htm>> and <<http://www.griffinarmament.com/30SD-762mm-QD-Silencer-p/ga30sd.htm>>.*

(Continued)

Primary Examiner — Susan Bennett Hattan
Assistant Examiner — S. Bryan Reinholdt, Jr.
(74) *Attorney, Agent, or Firm* — Mitchell Law PLLC;
Matthew W. Mitchell

(57) **CLAIM**

The ornamental design for a firearm suppressor, as shown.

DESCRIPTION

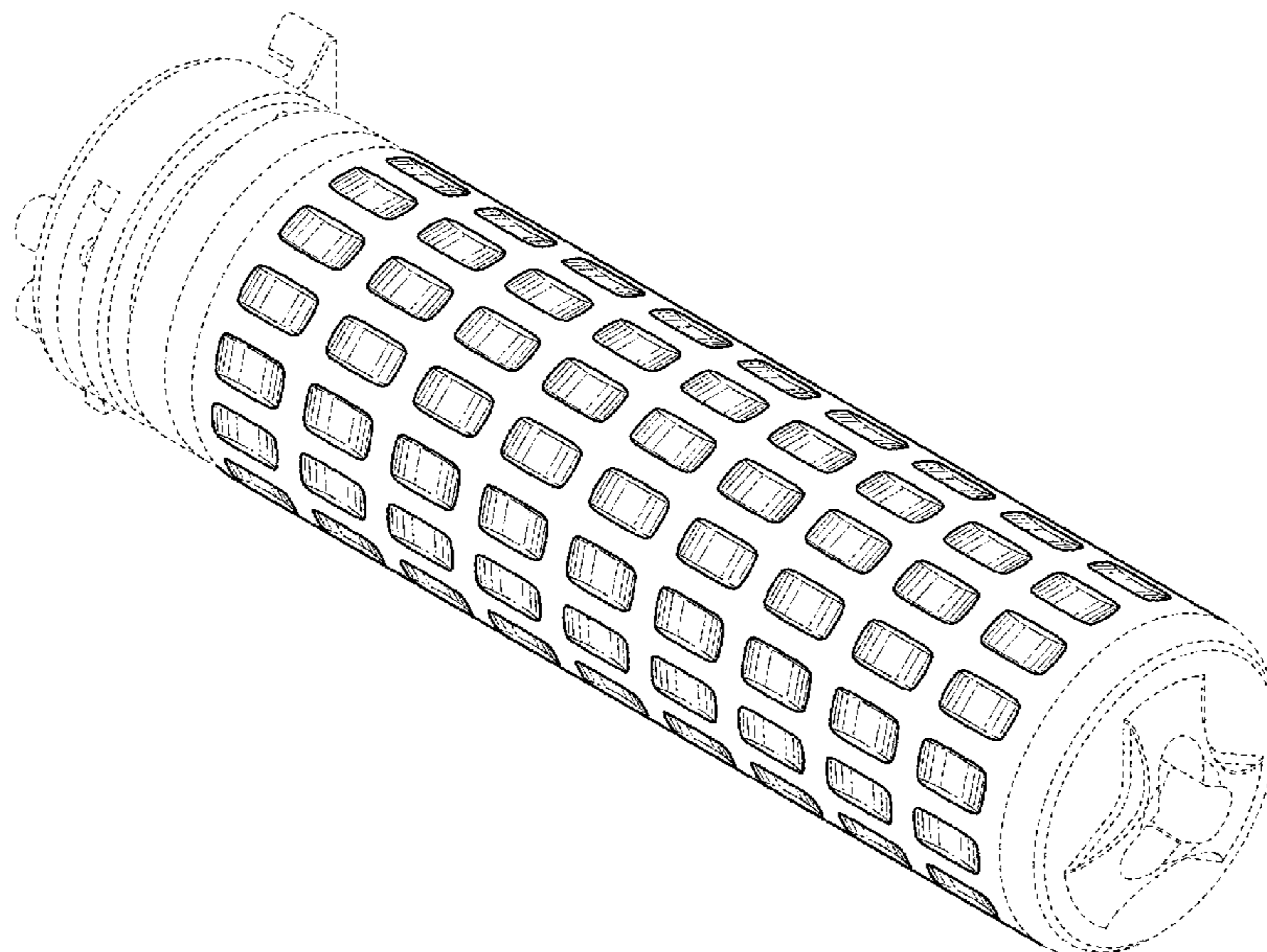
FIG. 1 is a front perspective view of the firearm suppressor of the present invention;
FIG. 2 is a side view of the invention of FIG. 1, as seen from the left side of FIG. 6;
FIG. 3 is a side view of the invention of FIG. 1, as seen from the right side of FIG. 6;
FIG. 4 is a side view of the invention of FIG. 1, as seen from the top side of FIG. 6;
FIG. 5 is a side view of the invention of FIG. 1, as seen from the bottom side of FIG. 6; and,
FIG. 6 is a top plan view in elevation of the invention of FIG. 1.
The broken lines represent portions of the firearm suppressor that form no part of the claimed design.

1 Claim, 6 Drawing Sheets

(56) **References Cited**

U.S. PATENT DOCUMENTS

- D158,795 S * 5/1950 Powell 42/79
- D507,619 S * 7/2005 Shiloni D22/108
- 9,175,920 B2 * 11/2015 Moore F41A 21/44
- 2008/0148928 A1 * 6/2008 McClellan F41A 21/34
89/14.4
- 2010/0229712 A1 * 9/2010 Graham F41A 21/34
89/14.2
- 2013/0312592 A1 * 11/2013 Storrs F01N 3/02
89/14.1



(56)

References Cited

OTHER PUBLICATIONS

Silencer Shop, Griffin Armament 30-SD, publication date unknown, earliest comment date Sep. 21, 2015, [site visited Jul. 18, 2015], Available on the Internet URL: <<http://www.silencershop.com/griffin-armament-30-sd.html>>.*

* cited by examiner

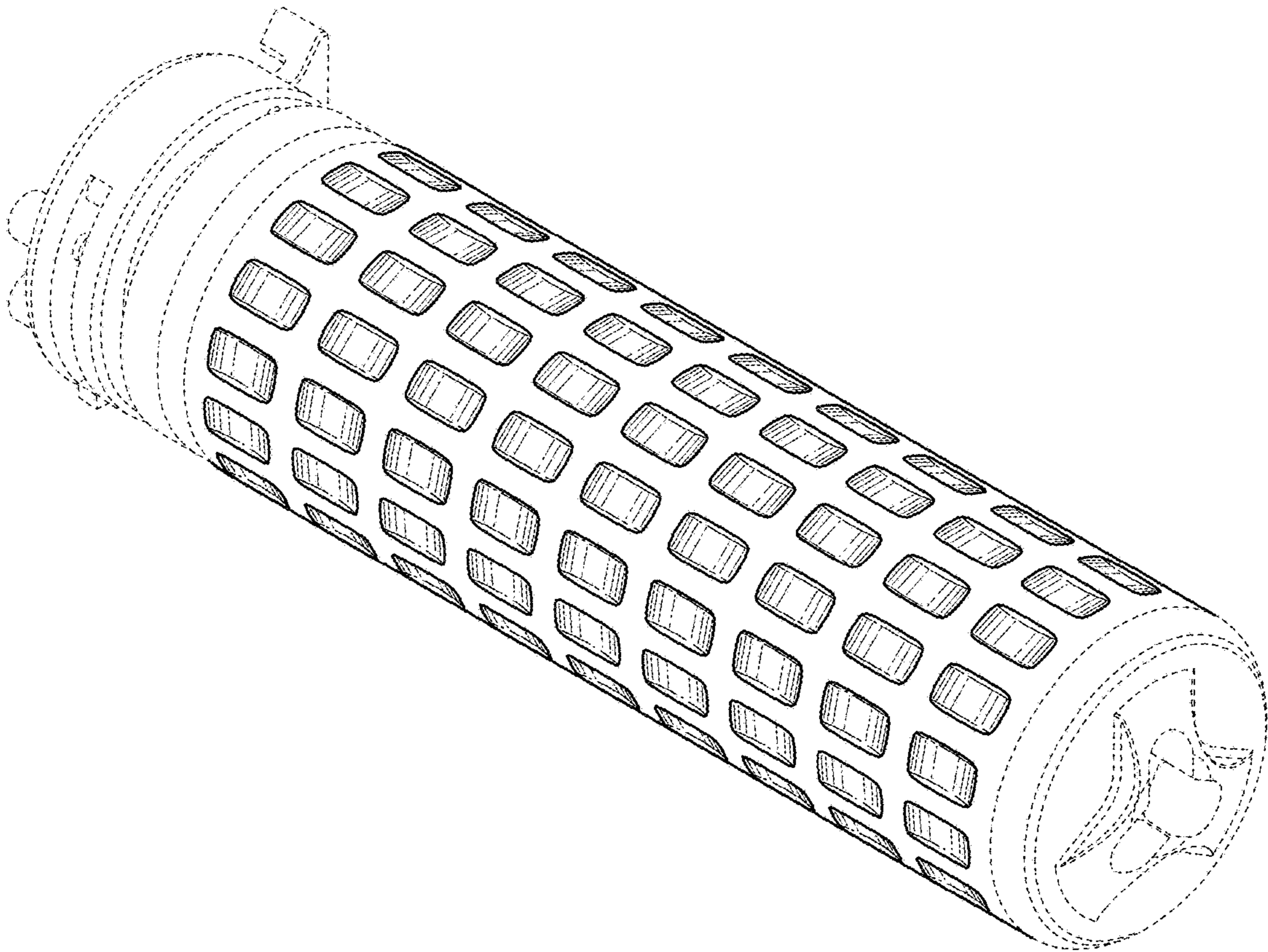


FIG. 1

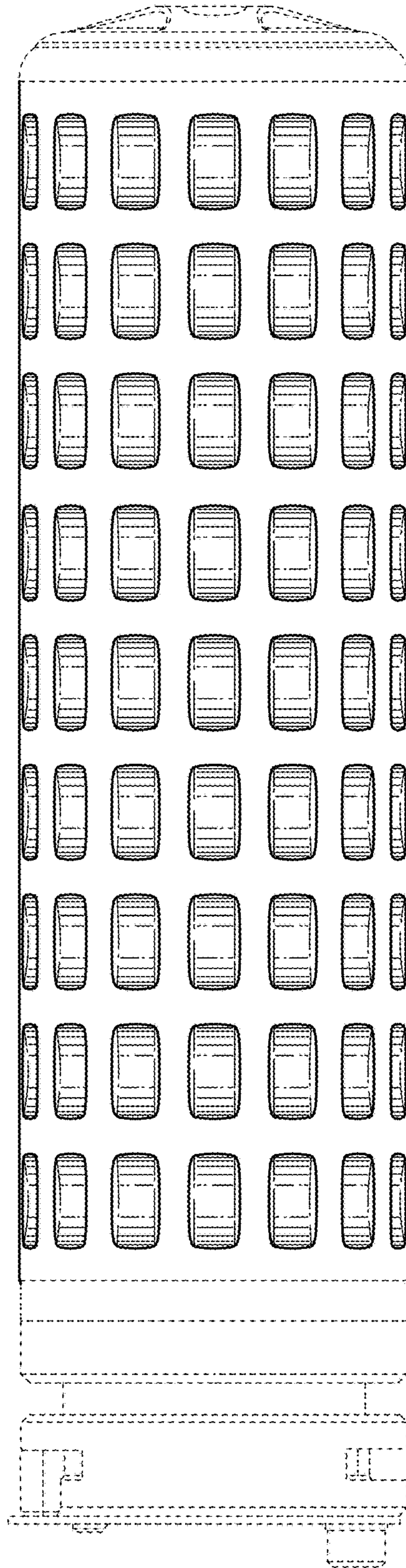


FIG. 2

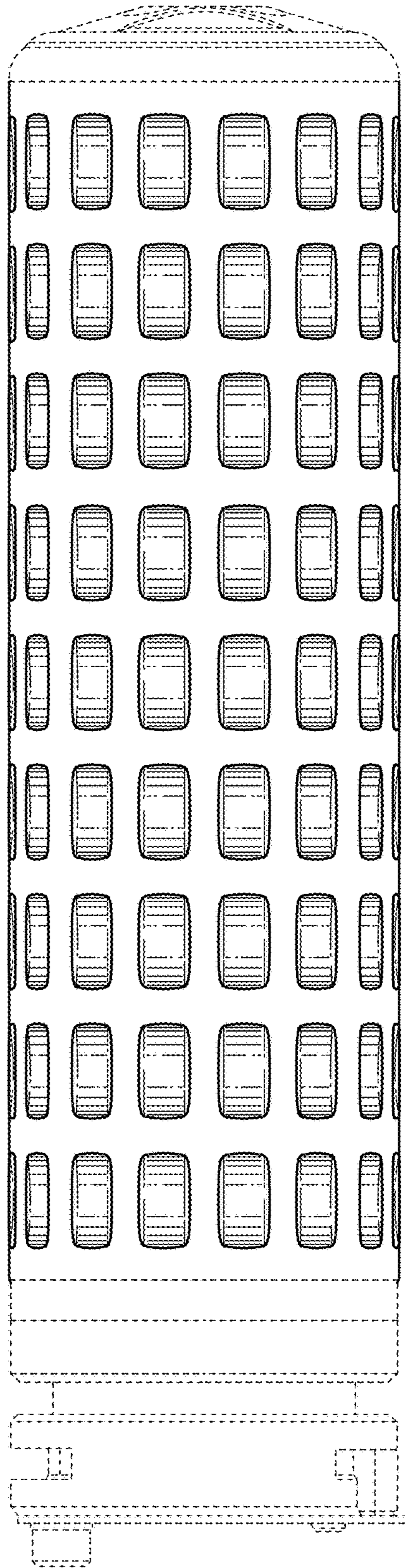


FIG. 3

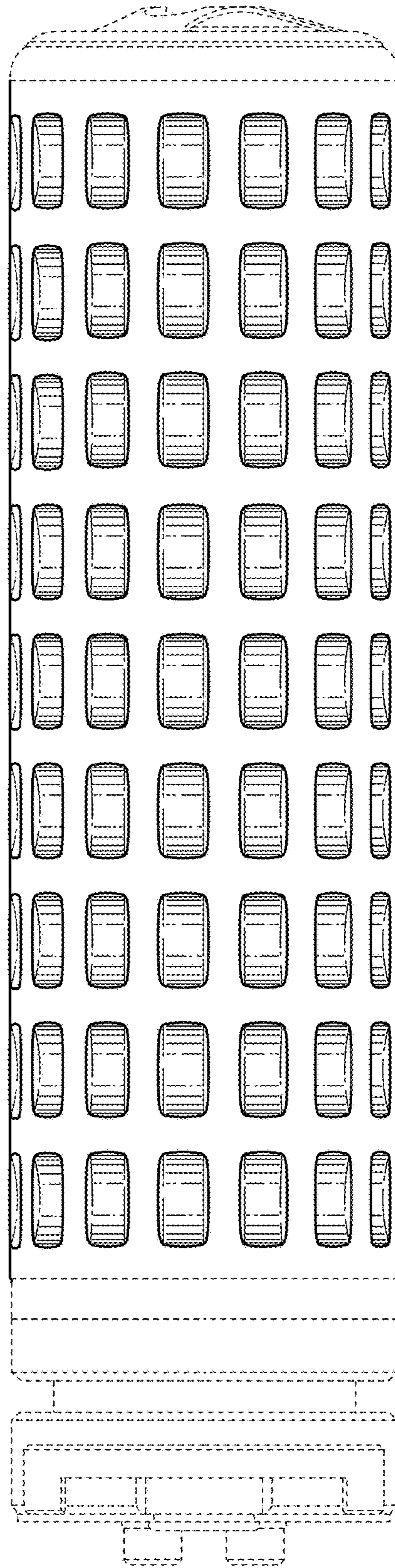


FIG. 4

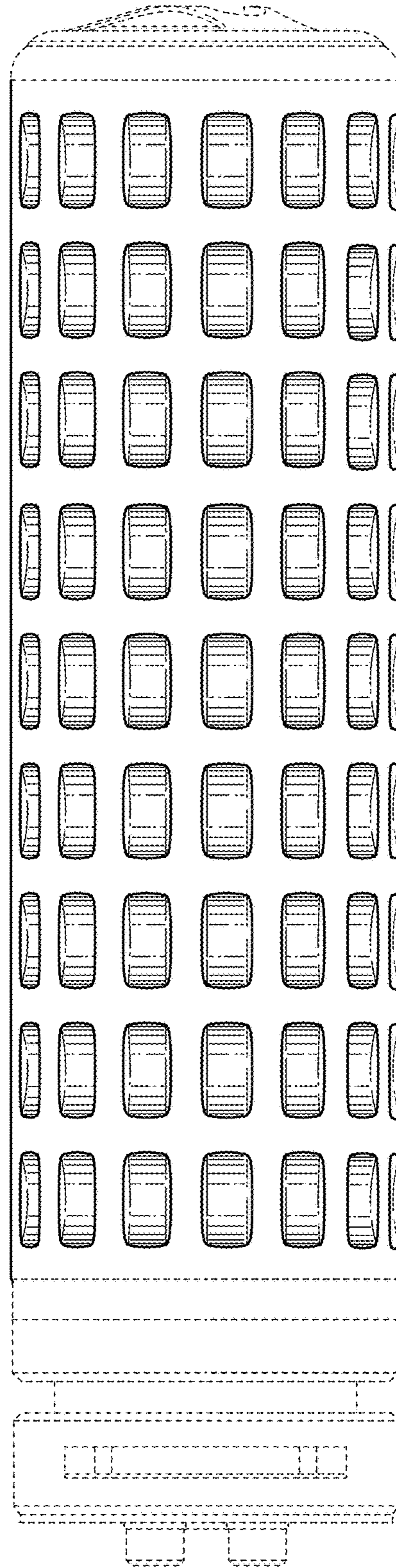


FIG. 5

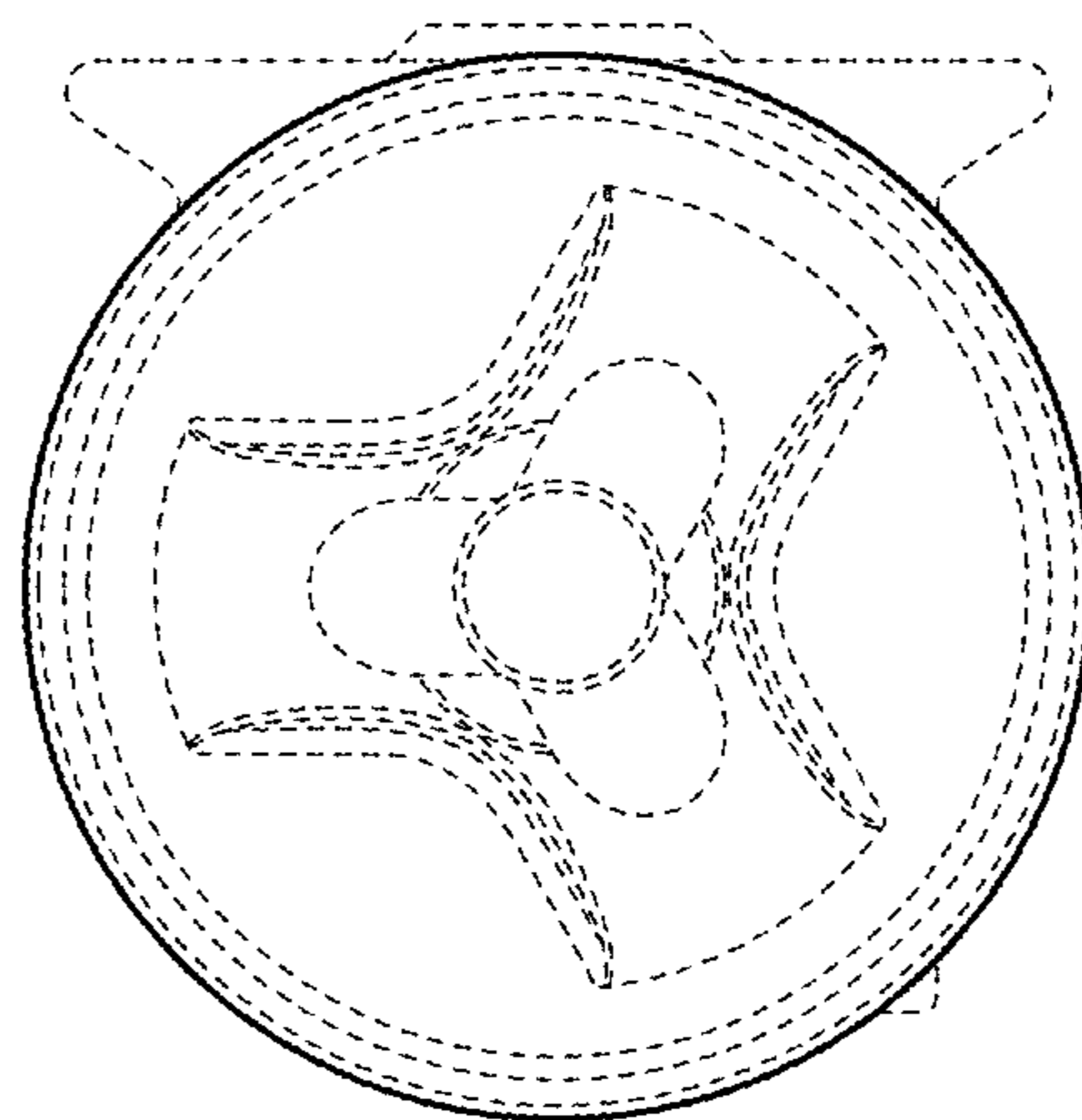


FIG. 6