



US00D776224S

(12) **United States Design Patent** (10) **Patent No.:** **US D776,224 S**  
**Storch** (45) **Date of Patent:** **\*\* Jan. 10, 2017**

(54) **FIREARM HAND GUARD MOUNT CLIP**

*Primary Examiner* — Michael A Pratt

(71) Applicant: **Midwest Industries, Inc.**, Waukesha, WI (US)

(74) *Attorney, Agent, or Firm* — Boyle Fredrickson, SC

(72) Inventor: **Troy Storch**, Wales, WI (US)

(57) **CLAIM**

(73) Assignee: **Midwest Industries, Inc.**, Waukesha, WI (US)

The ornamental design for a firearm hand, guard mount clip, substantially as shown and described.

(\*\*) Term: **14 Years**

(21) Appl. No.: **29/526,072**

**DESCRIPTION**

(22) Filed: **May 6, 2015**

(51) **LOC (10) Cl.** ..... **22-01**

(52) **U.S. Cl.**  
USPC ..... **D22/108**

(58) **Field of Classification Search**  
USPC ..... D22/103, 108; D21/571-575  
CPC ..... F41C 23/00; F41C 27/00; F41C 27/06;  
F41C 23/10; F41C 23/14; F41C 23/16; F41C 23/18; F41A 5/18; F41A 5/24; F41A 21/28

FIG. 1 is a perspective view of a firearm hand guard mount clip according the present invention;

FIG. 2 is left side elevation view of the firearm hand guard mount clip shown in FIG. 1;

FIG. 3 is a front side elevation view of the firearm hand guard mount clip shown in FIG. 1;

FIG. 4 is a rear side elevation view of the firearm hand guard mount clip shown in FIG. 1;

FIG. 5 is a top plan view of the firearm hand guard mount clip shown in FIG. 1; and,

FIG. 6 is a bottom plan view of the firearm hand guard mount clip shown in FIG. 1.

See application file for complete search history.

The broken lines form no part of the claimed design.

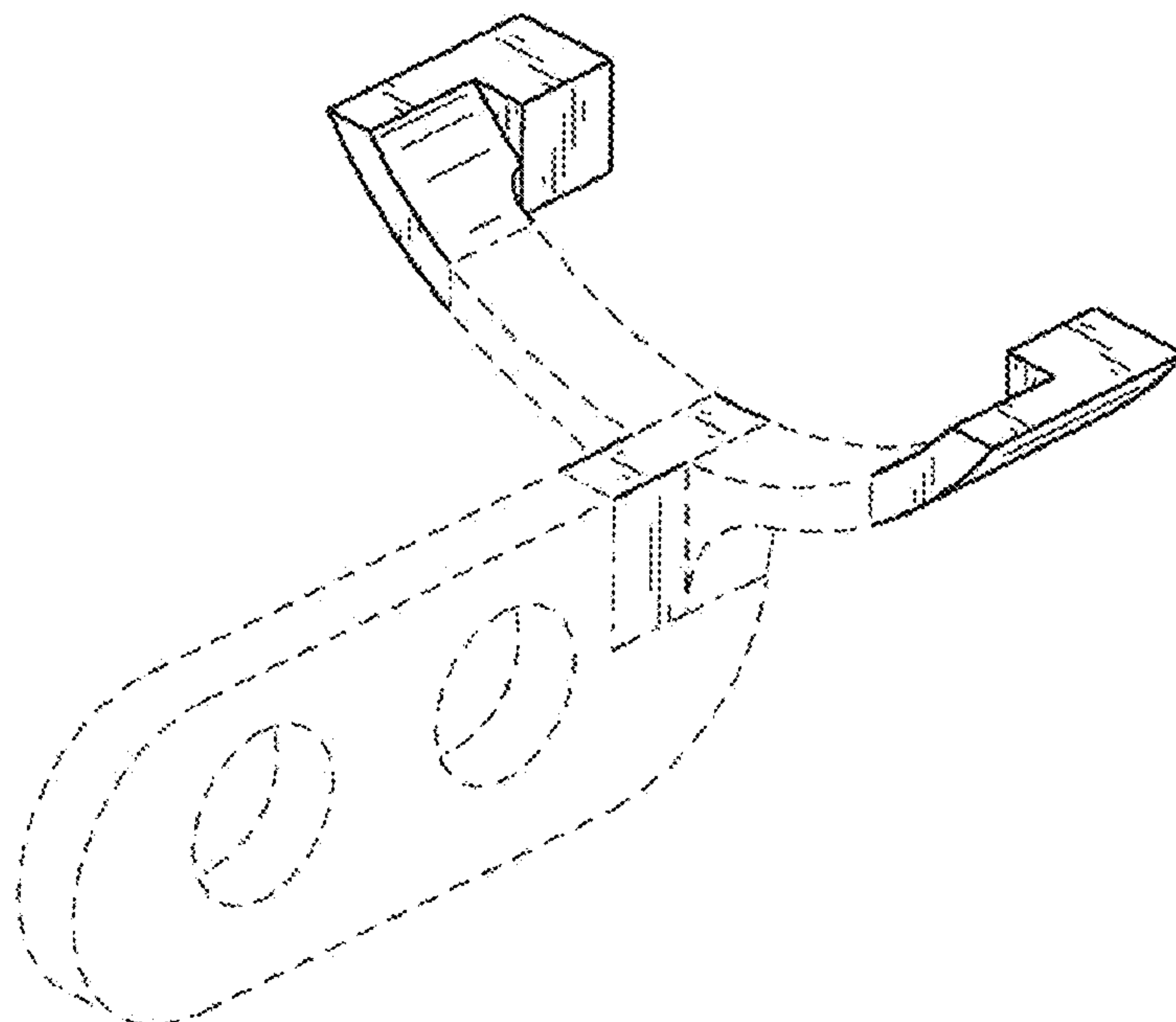
(56) **References Cited**

U.S. PATENT DOCUMENTS

D556,290 S \* 11/2007 Swan ..... D22/108  
D659,220 S \* 5/2012 Foltz ..... D22/108  
D724,687 S \* 3/2015 Pittman ..... D22/108

\* cited by examiner

**1 Claim, 3 Drawing Sheets**



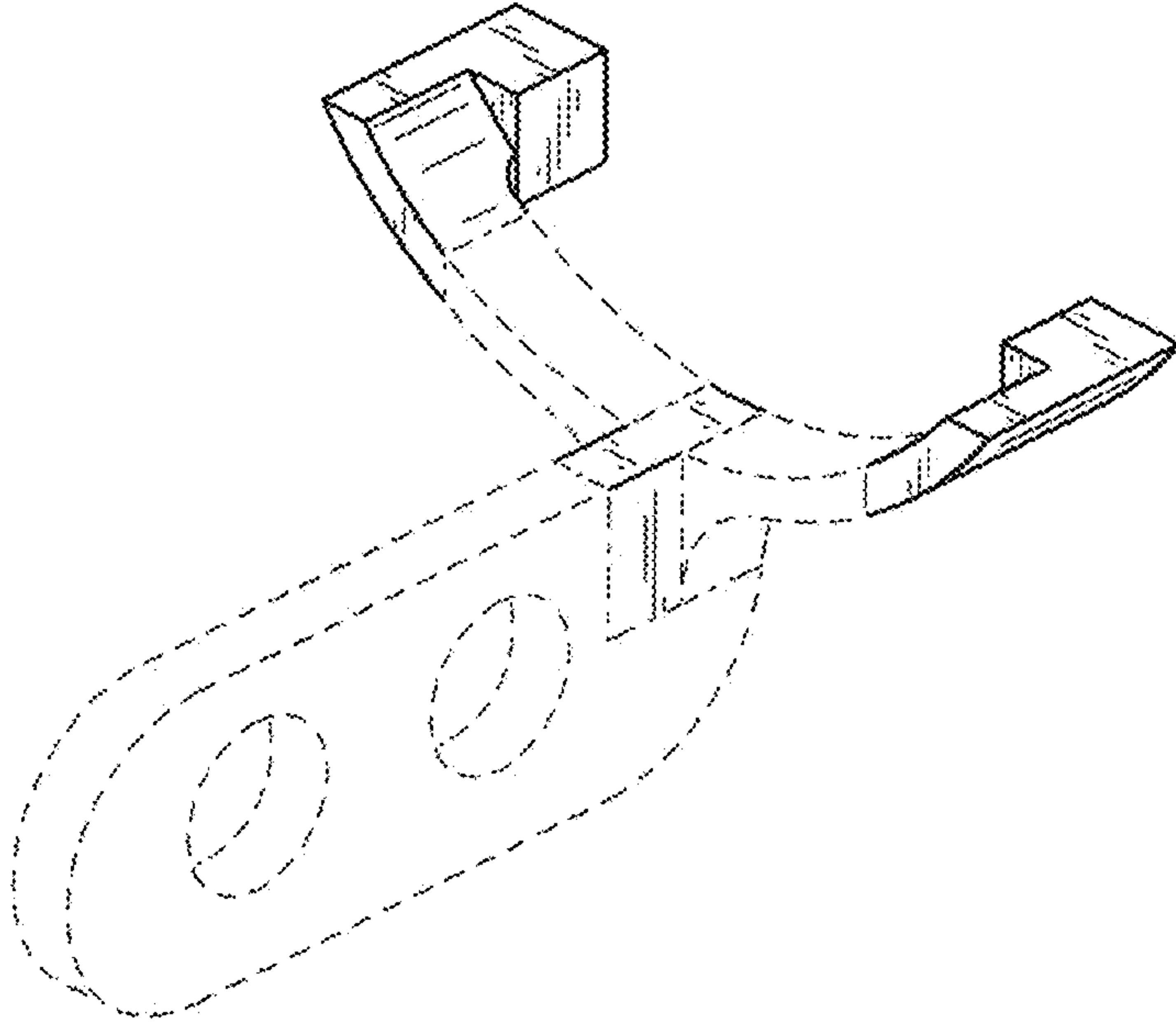


FIG. 1

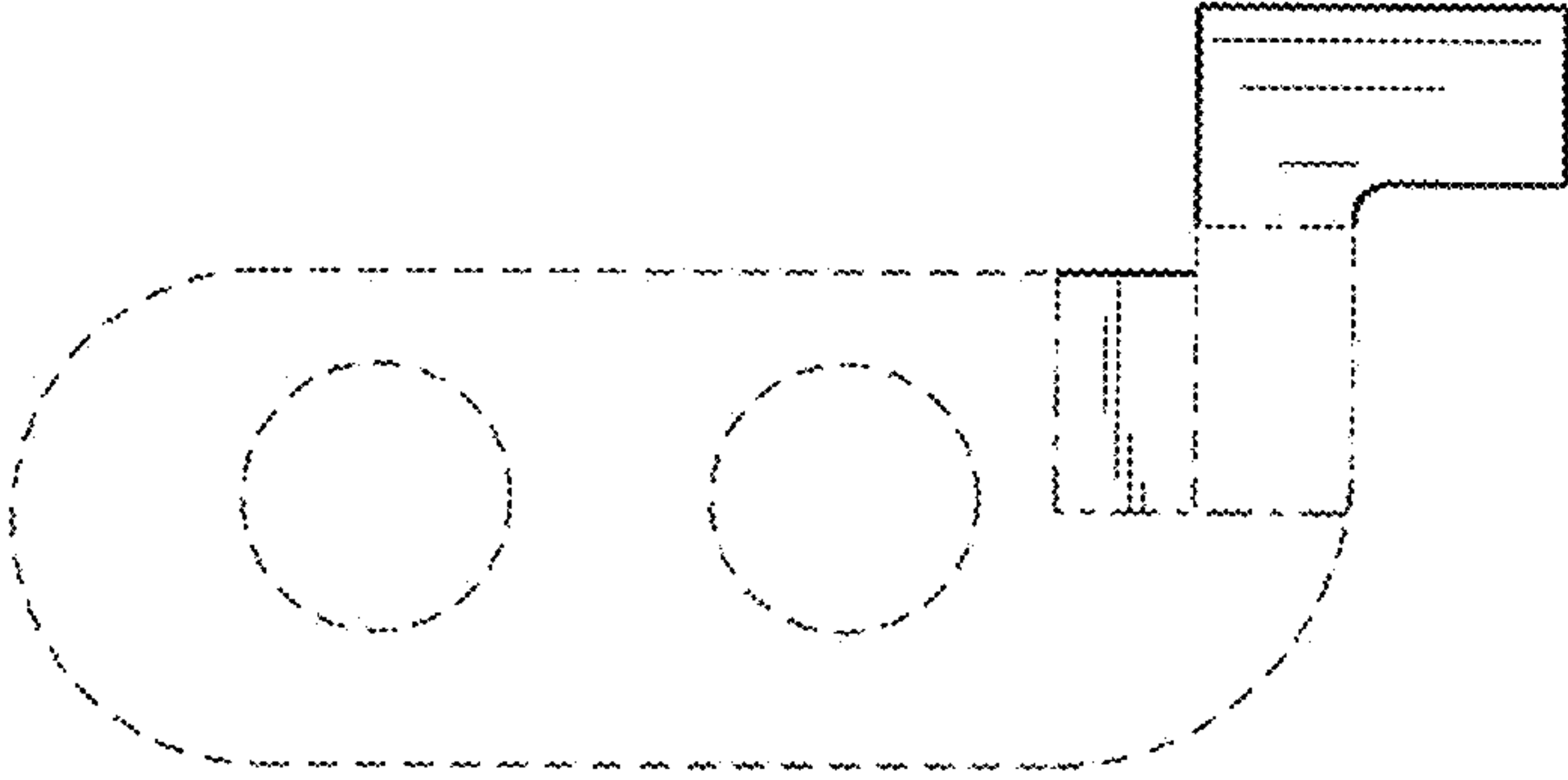


FIG. 2

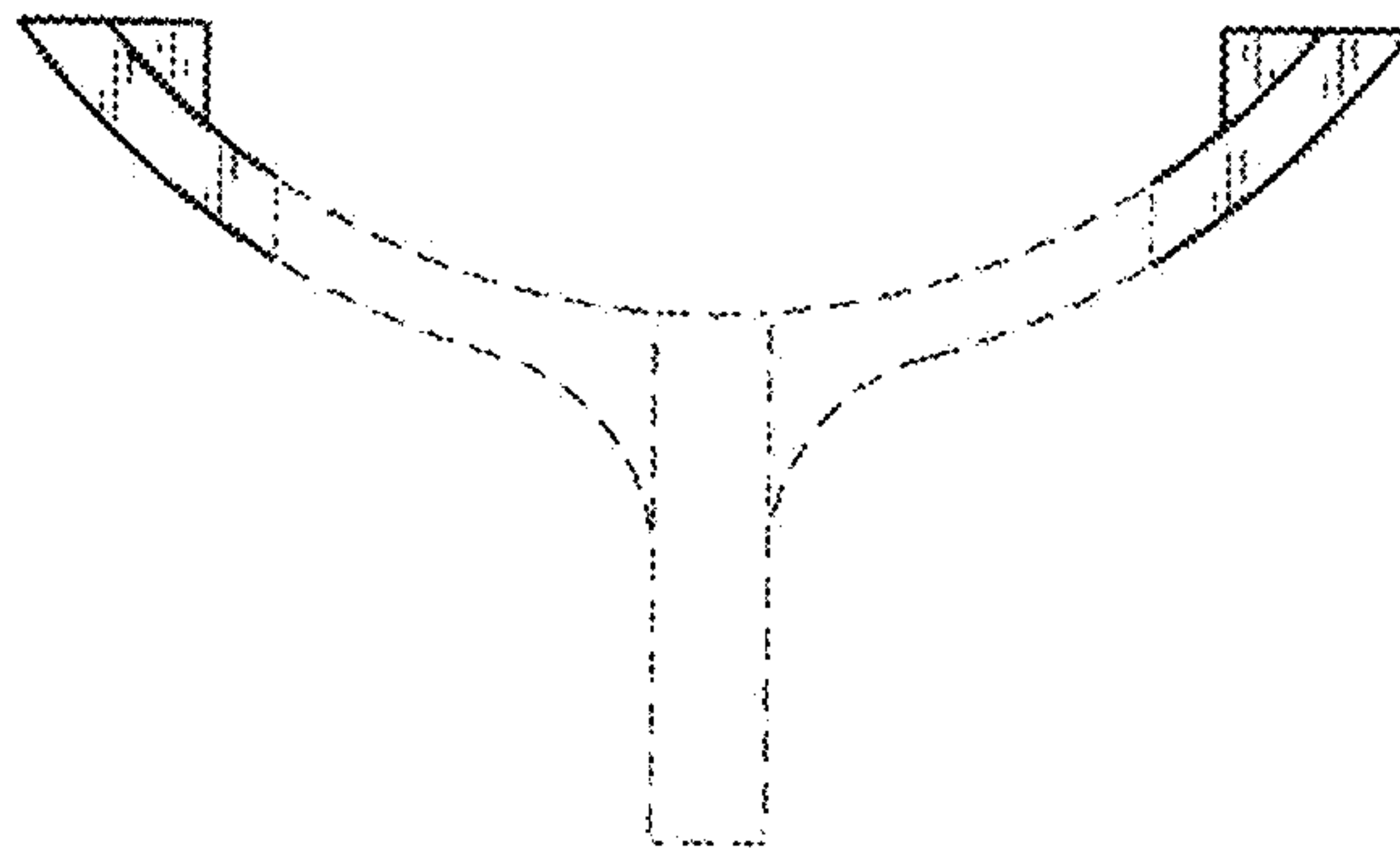


FIG. 3

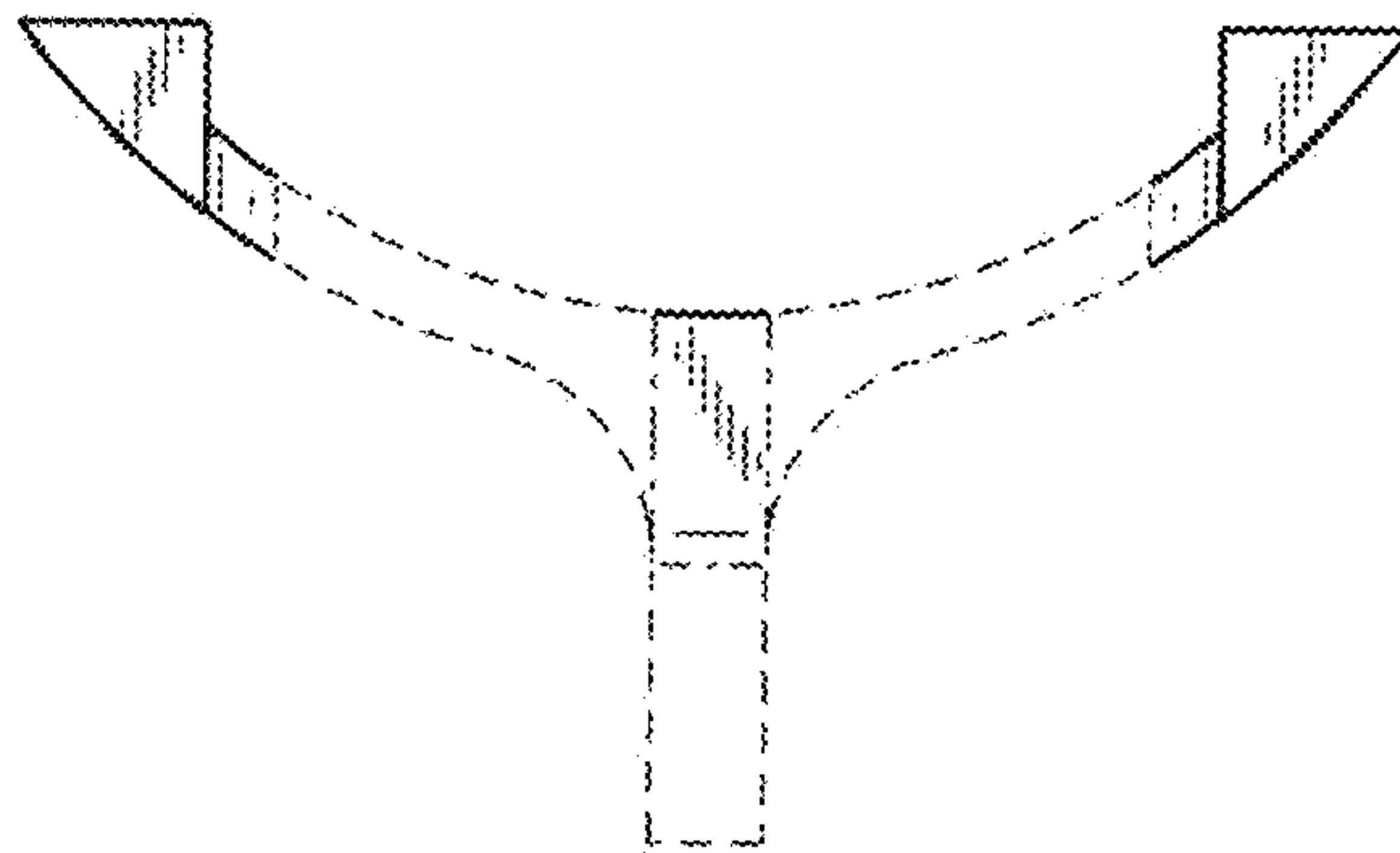


FIG. 4

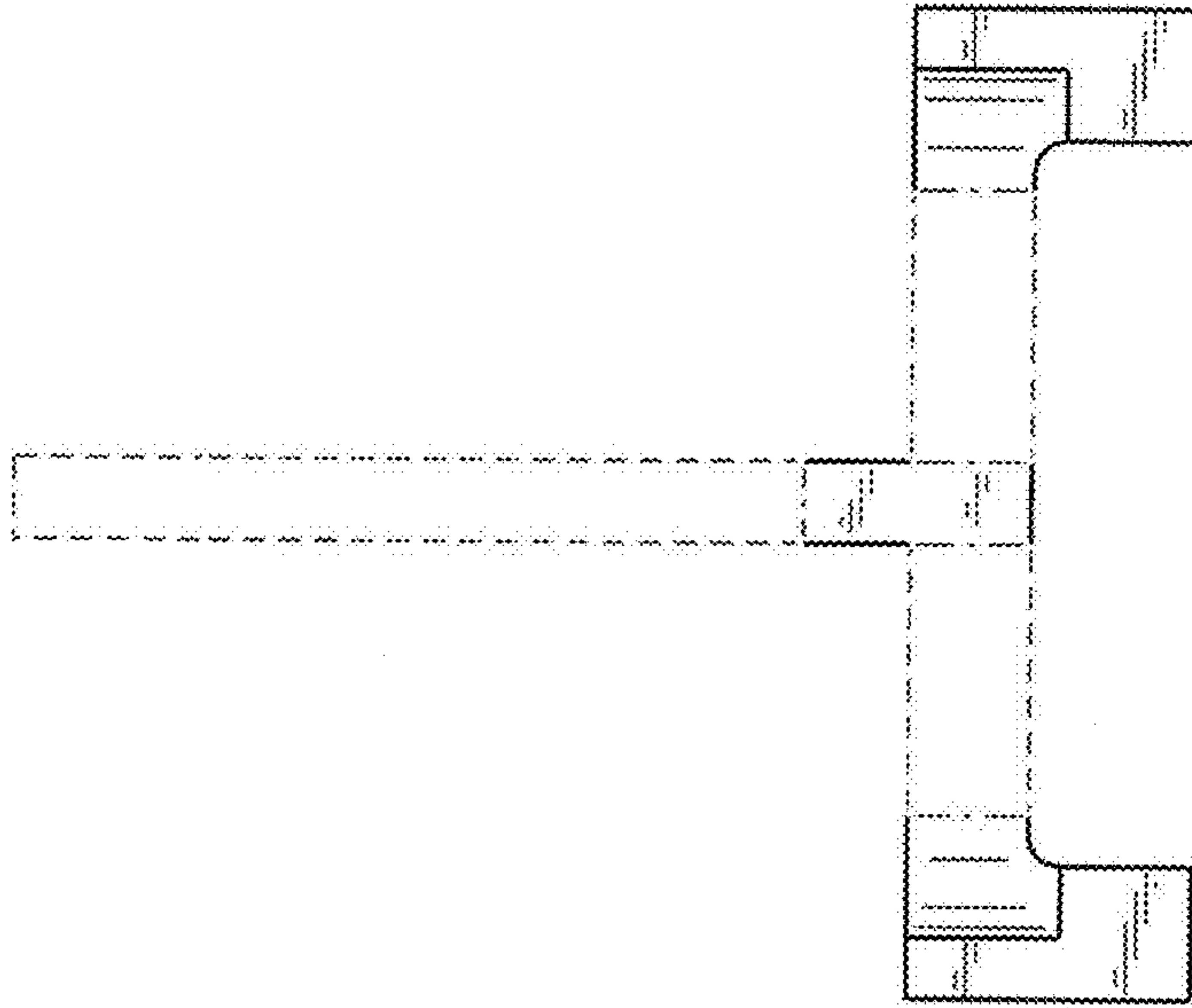


FIG. 5

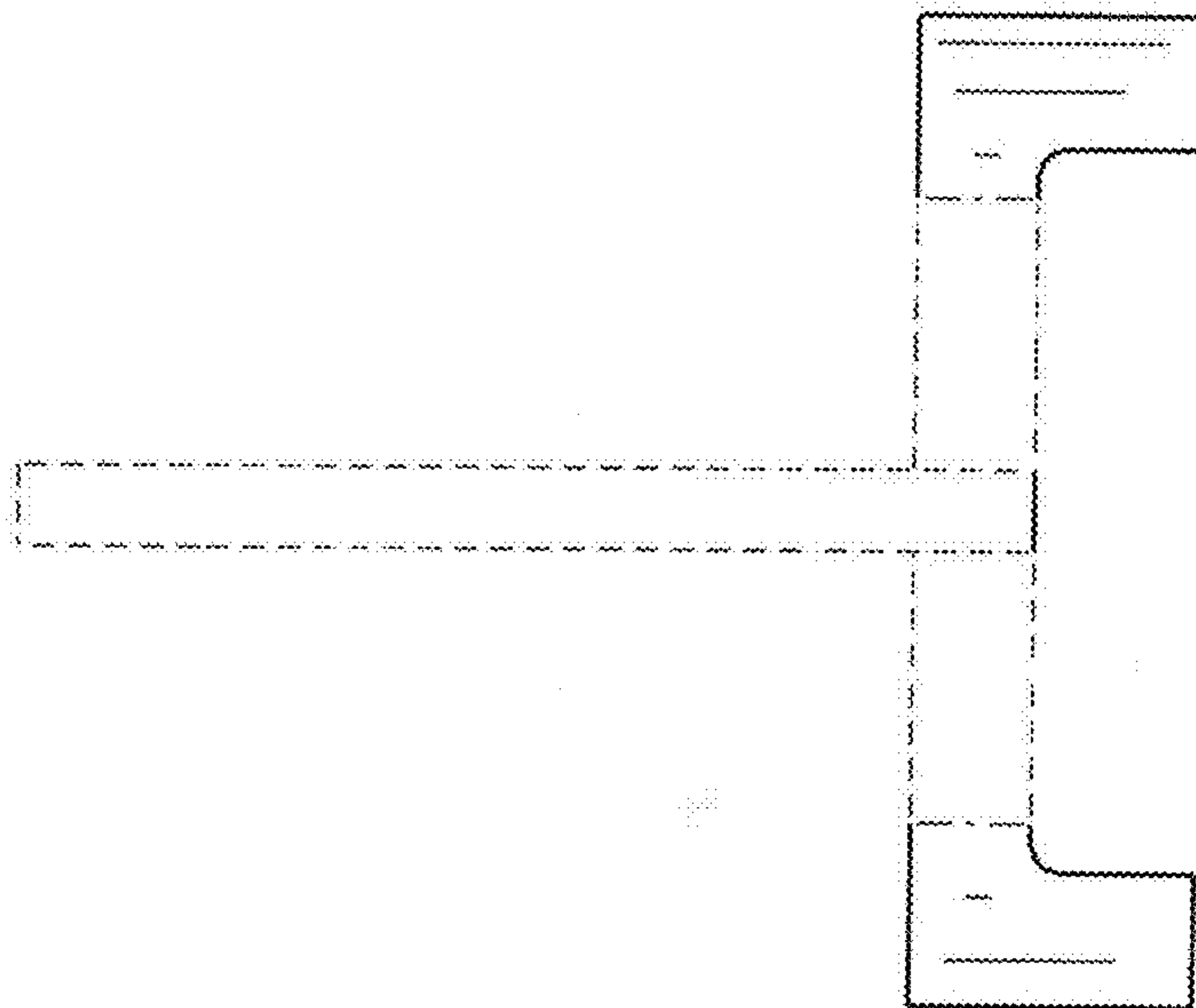


FIG. 6