



US00D776221S

(12) **United States Design Patent** (10) **Patent No.:** **US D776,221 S**
Malcolm (45) **Date of Patent:** **** Jan. 10, 2017**

- (54) **SINGLE SHOT FIREARM**
- (71) Applicant: **Altor Corporation**, Cave Creek, AZ (US)
- (72) Inventor: **Alexander R. Malcolm**, Cave Creek, AZ (US)
- (73) Assignee: **ALTOR CORPORATION**, Cave Creek, AZ (US)
- (**) Term: **15 Years**
- (21) Appl. No.: **29/535,557**
- (22) Filed: **Aug. 7, 2015**
- (51) **LOC (10) Cl.** **22-01**
- (52) **U.S. Cl.**
USPC **D22/104**
- (58) **Field of Classification Search**
USPC D22/104, 108; D8/68; D21/573
CPC F41C 3/14; F41C 3/16; F41C 3/04
See application file for complete search history.

5,062,231 A	11/1991	Braverman et al.	
5,105,569 A	4/1992	Straitiff	
5,271,312 A	12/1993	Lishness et al.	
5,388,361 A	2/1995	Farr	
D460,675 S *	7/2002	Morgan	D8/68
D580,726 S *	11/2008	Murray	D8/68
D582,237 S *	12/2008	Chen	D8/68
7,506,467 B2	3/2009	Maldonado Ferreira Lopes	
D597,392 S *	8/2009	Meyers	D8/68
7,905,042 B2	3/2011	Carmel et al.	
D727,706 S *	4/2015	Chen	D8/68
D735,005 S *	7/2015	Aglassinger	D8/68
9,328,985 B2 *	5/2016	Malcolm	F41A 21/488
D760,570 S *	7/2016	Zwicker	D8/68
2016/0153733 A1 *	6/2016	Hayes	F41A 21/04 42/78

- (56) **References Cited**
- U.S. PATENT DOCUMENTS
- | | | |
|-------------|---------|---------------------|
| 1,262,060 A | 4/1918 | Kristofek |
| 1,608,359 A | 11/1926 | Biason |
| 1,664,049 A | 3/1928 | Sedgley |
| 1,681,172 A | 8/1928 | Cocho |
| 1,752,178 A | 3/1930 | Huguenin |
| 1,897,992 A | 2/1933 | Ailes |
| 2,195,711 A | 4/1940 | Hutchison |
| 2,444,920 A | 7/1948 | Davis, Jr. et al. |
| 2,521,083 A | 9/1950 | Nasello |
| 2,741,872 A | 4/1956 | Sigg |
| 2,844,902 A | 7/1958 | Gaylord, Jr. et al. |
| 3,707,794 A | 1/1973 | Rocha et al. |
| 4,016,666 A | 4/1977 | Finn et al. |
| 4,489,515 A | 12/1984 | Numbers |
| 4,490,935 A | 1/1985 | Plachy |
| 5,062,230 A | 11/1991 | Braverman et al. |

OTHER PUBLICATIONS

U.S. Appl. No. 14/820,929, filed Aug. 7, 2015.
http://www.budsgunshop.com/catalog/product_info.php/products_id/29564.

* cited by examiner

Primary Examiner — Michael A Pratt
(74) *Attorney, Agent, or Firm* — Greenberg Traurig, LLP

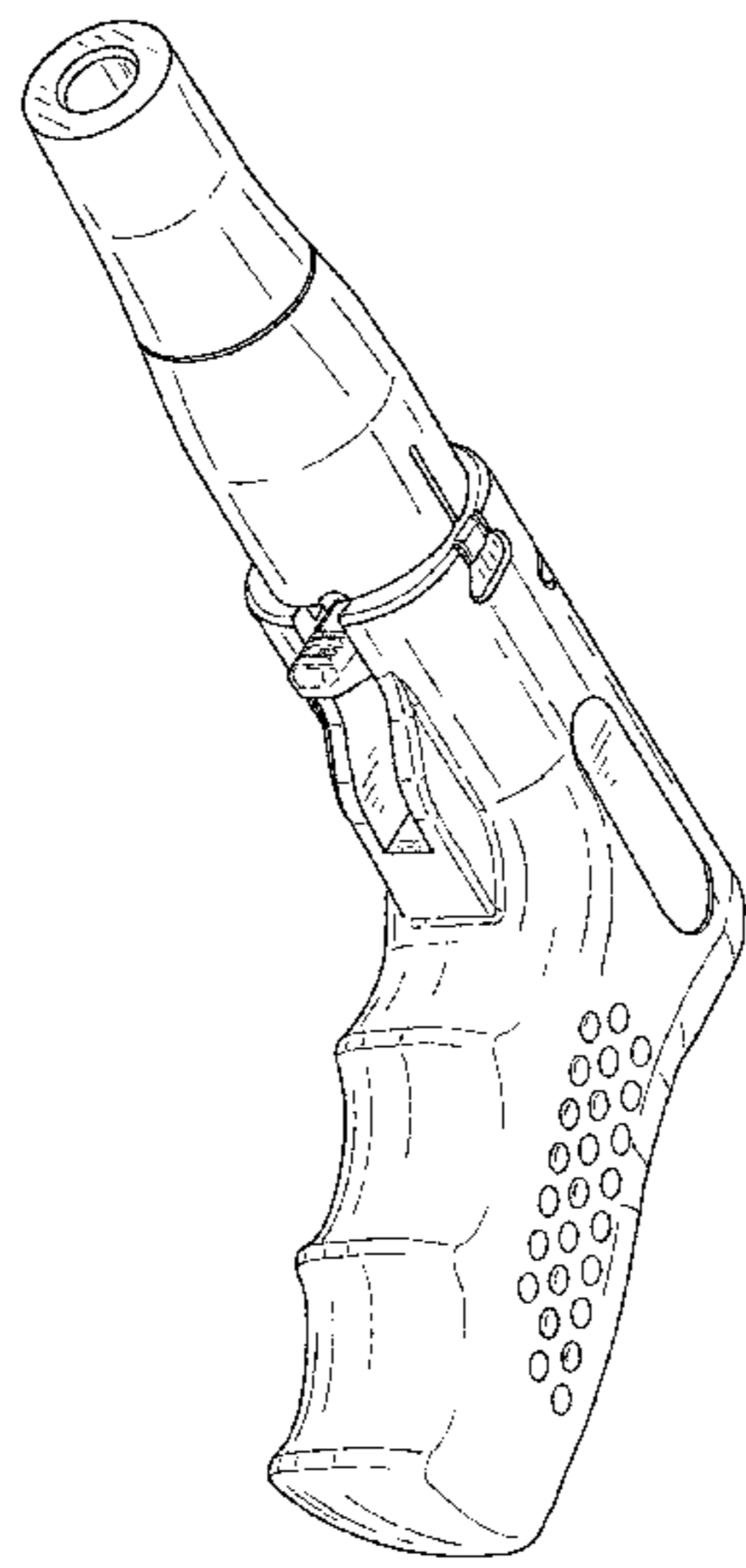
(57) **CLAIM**

An ornamental design for a single shot firearm, as shown and described.

DESCRIPTION

FIG. 1 is a perspective view of an embodiment of a single shot firearm my new design;
FIG. 2 is a right side elevation view thereof; the left side being a mirror image thereof;
FIG. 3 is a top plan view thereof;
FIG. 4 is a bottom plan view thereof;
FIG. 5 is a front elevation view thereof; and,
FIG. 6 is a rear elevation view thereof.

1 Claim, 4 Drawing Sheets



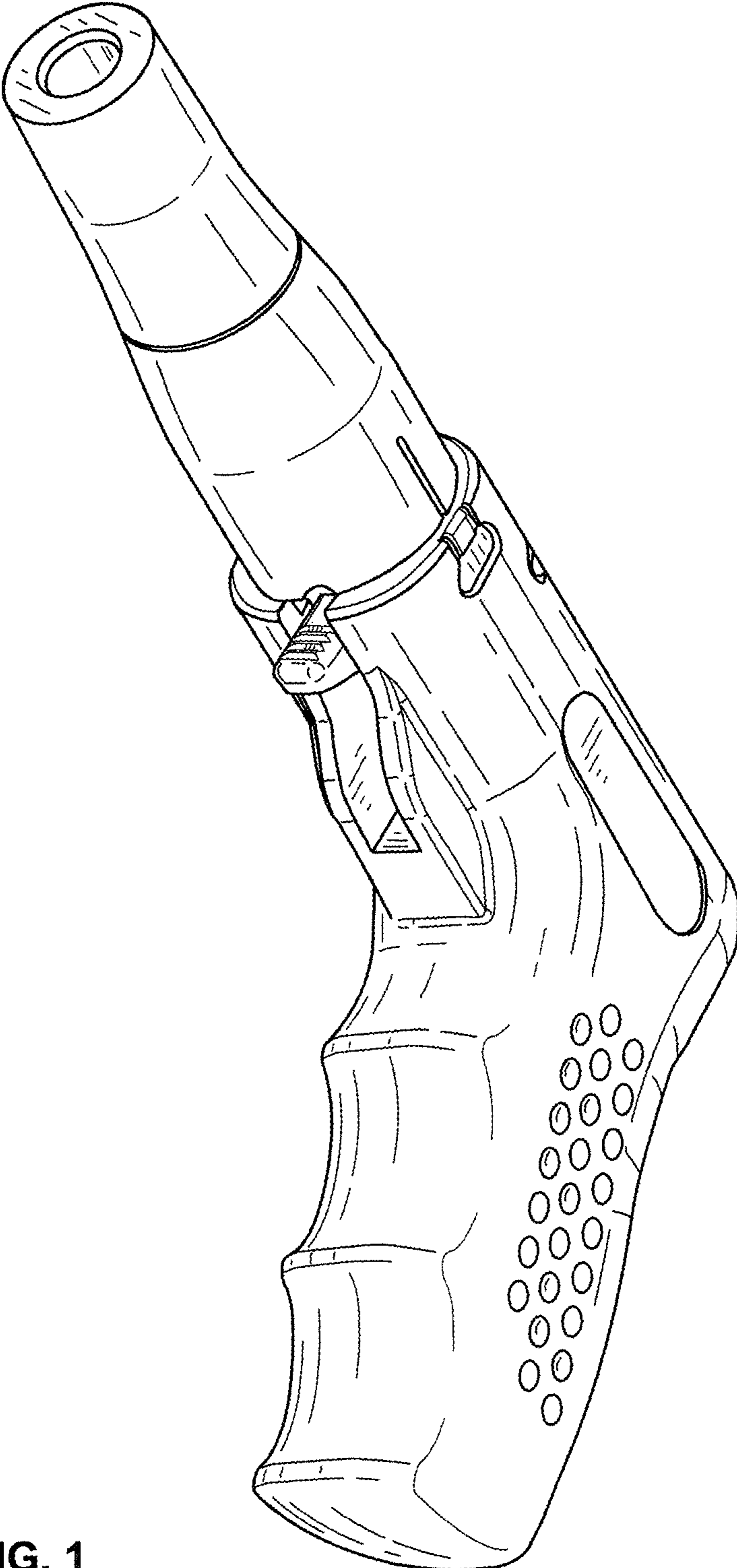


FIG. 1

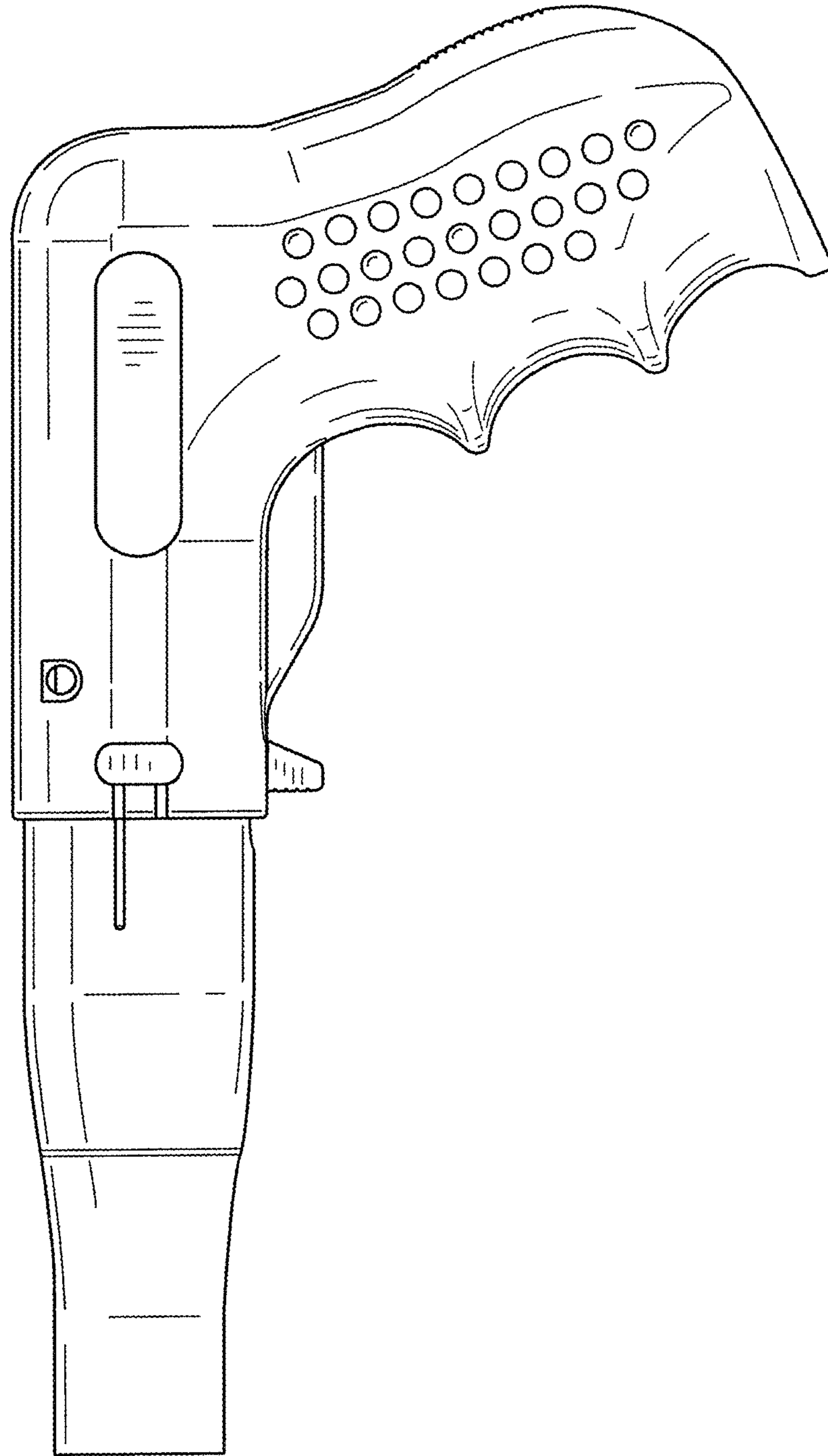


FIG. 2

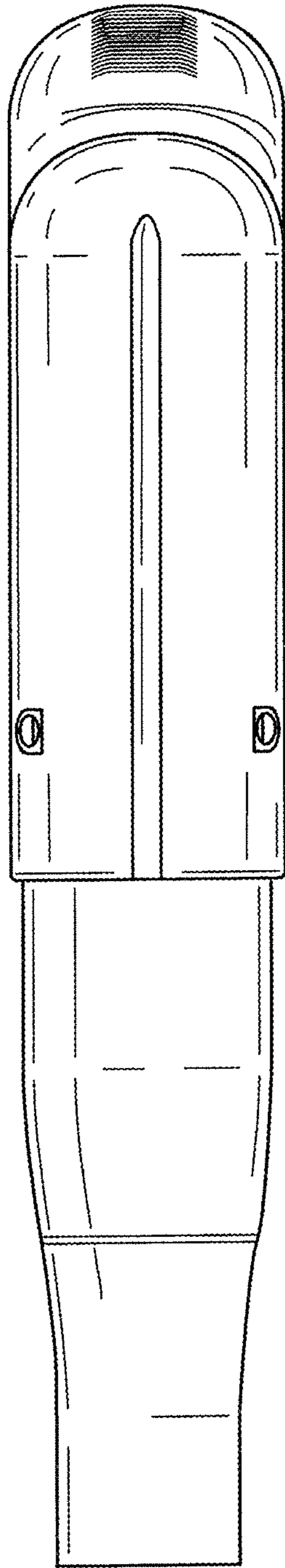


FIG. 3

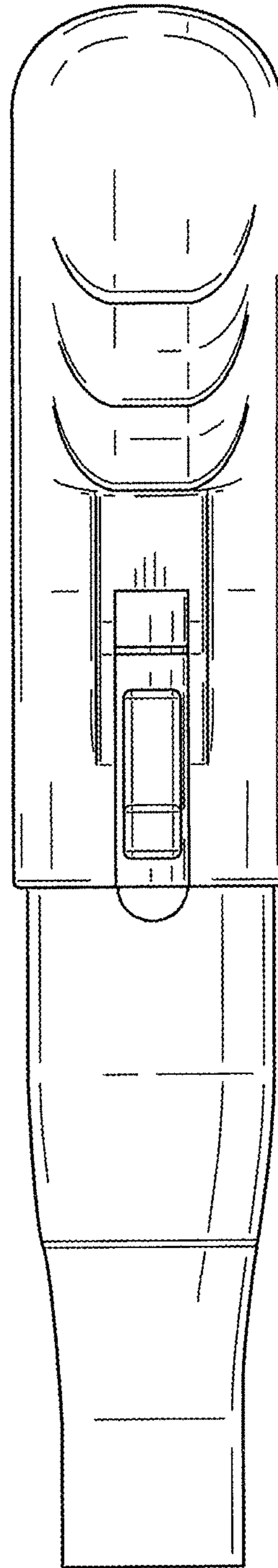


FIG. 4

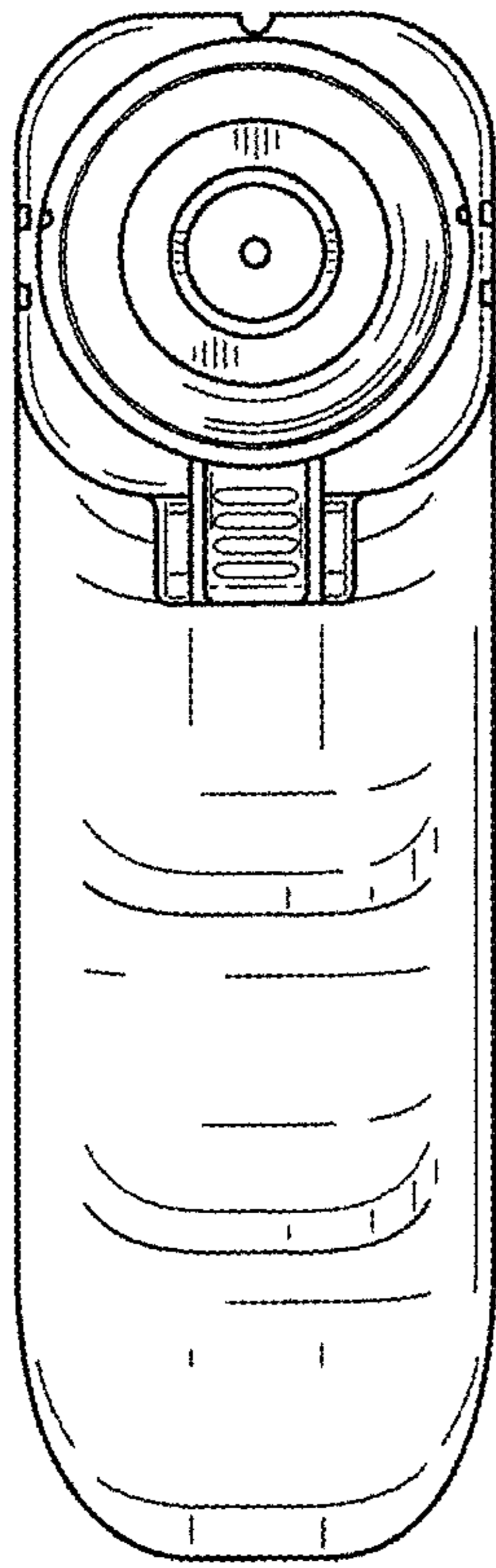


FIG. 5

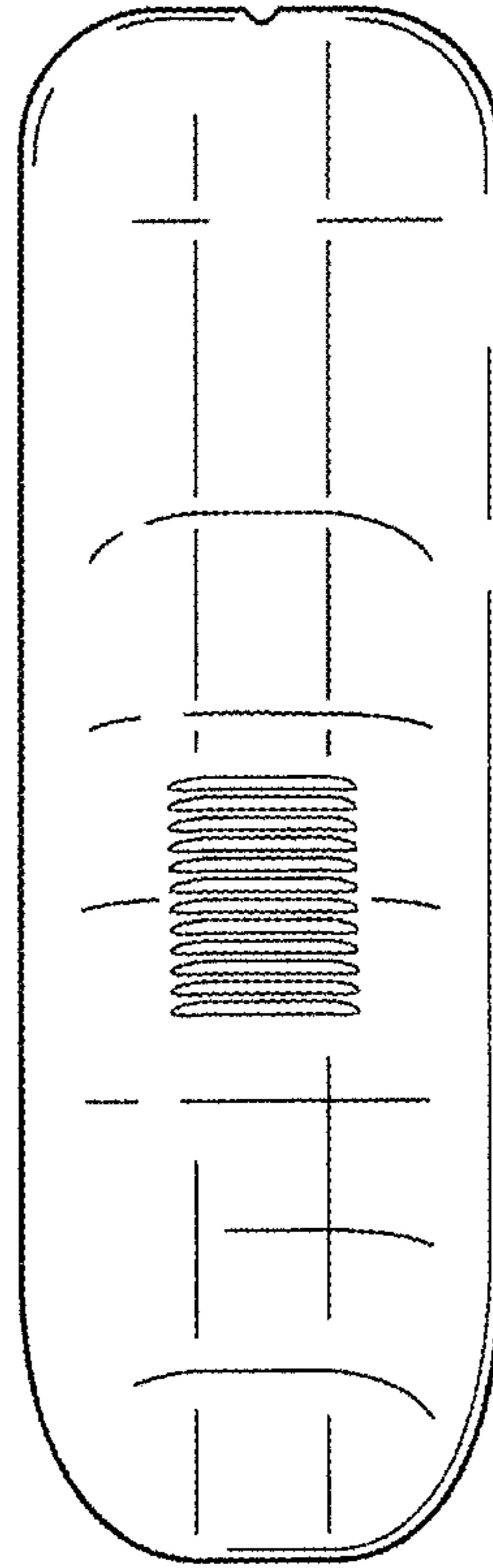


FIG. 6