



US00D776220S

(12) **United States Design Patent** (10) **Patent No.:** **US D776,220 S**  
**Juall et al.** (45) **Date of Patent:** **\*\* Jan. 10, 2017**

(54) **WATER FLOAT**

(71) Applicant: **Lazy Products, LLC**, Sarasota, FL (US)

(72) Inventors: **Christopher J. Juall**, Sarasota, FL (US); **Craig Rapihana**, Sarasota, FL (US)

(73) Assignee: **Lazy Products, LLC**, Sarasota, FL (US)

(\*\*) Term: **14 Years**

(21) Appl. No.: **29/510,158**

(22) Filed: **Nov. 25, 2014**

(51) **LOC (10) Cl.** ..... **21-02**

(52) **U.S. Cl.**  
USPC ..... **D21/803**

(58) **Field of Classification Search**  
USPC ..... D21/804, 805; D29/100, 101.1, 101, 4;  
2/456, 458, 467, 463; 441/88, 89, 106,  
441/108, 111, 114-117  
CPC ..... B63C 9/115  
See application file for complete search history.

(56) **References Cited**

**U.S. PATENT DOCUMENTS**

4,986,786 A *	1/1991	Helt	.....	B63C 9/093
				441/120
D319,679 S *	9/1991	Haley	.....	D21/803
D344,120 S *	2/1994	Helt	.....	D21/804
D387,838 S *	12/1997	Canela	.....	D21/803
D574,917 S *	8/2008	Parham	.....	D21/803
D582,501 S *	12/2008	Brack	.....	D21/803

\* cited by examiner

*Primary Examiner* — Zenia Bennett

(74) *Attorney, Agent, or Firm* — Scott T. Griggs; Griggs Bergen LLP

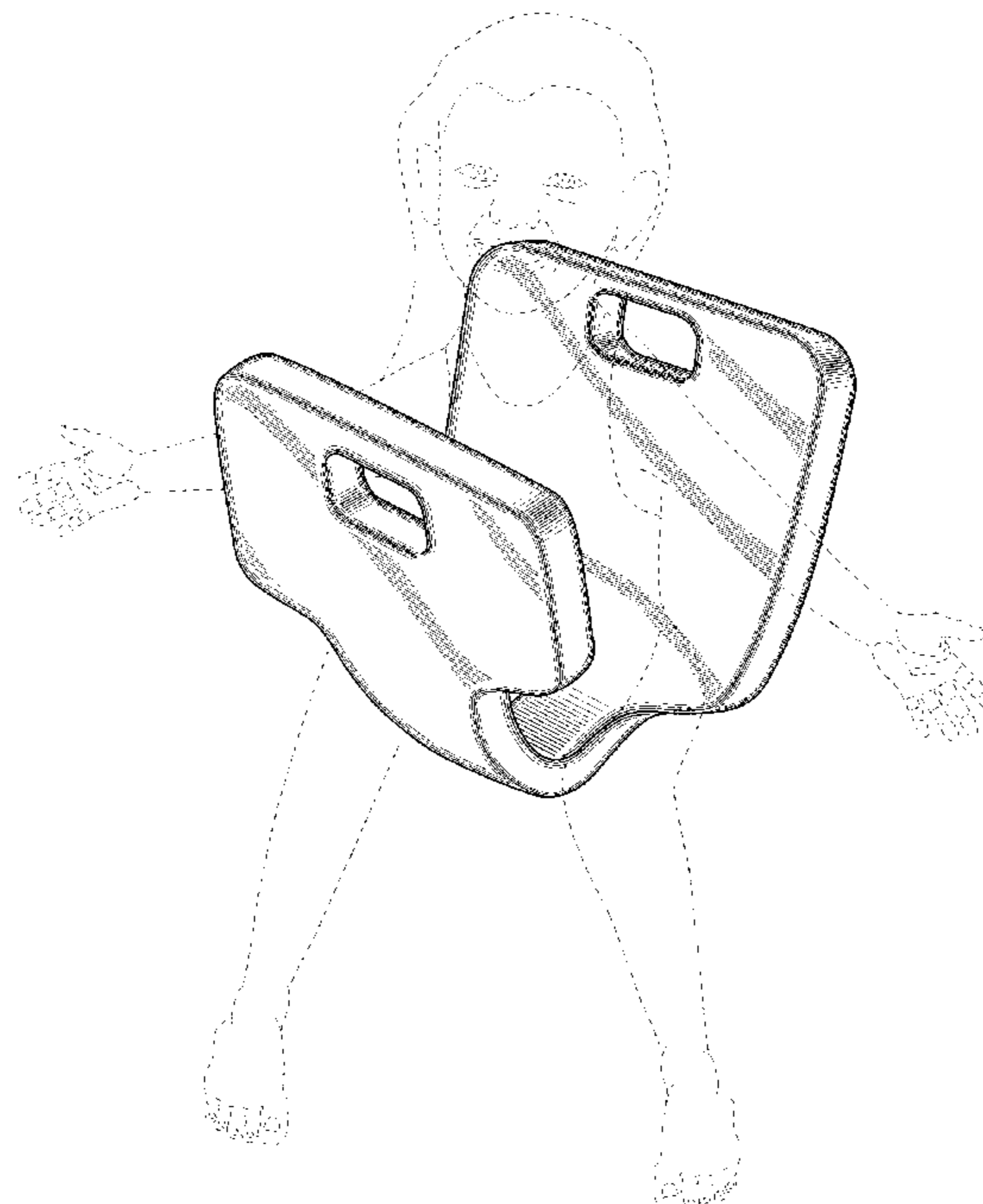
(57) **CLAIM**

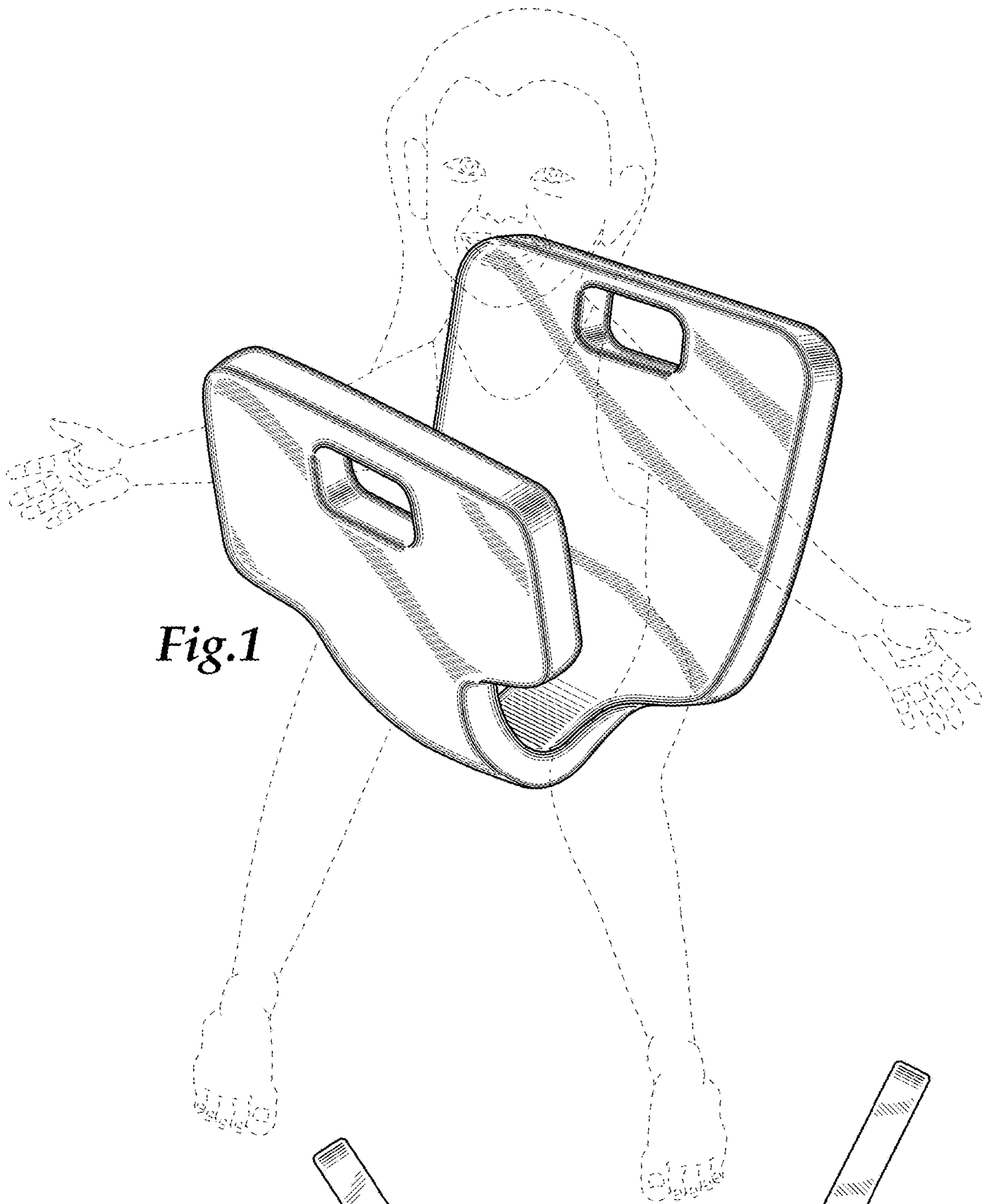
The ornamental design for a water float, as shown and described.

**DESCRIPTION**

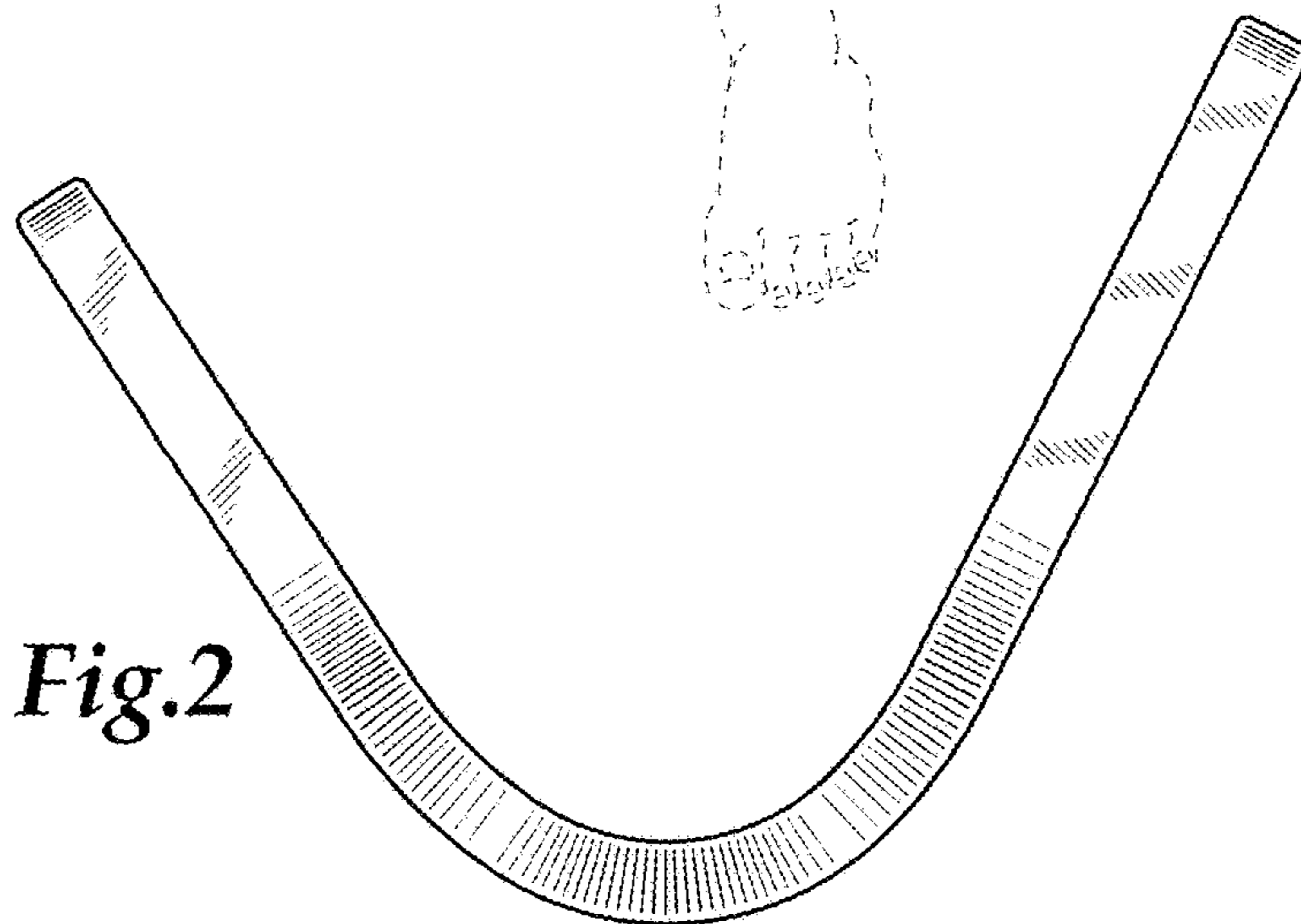
FIG. 1 is a front-left perspective view of a water float; FIG. 2 is a left elevation view of the water float shown in FIG. 1, which includes left-right symmetry; FIG. 3 is a rear perspective view of the water float shown in FIG. 1. FIG. 4 is a front perspective view of the water float shown in FIG. 1; FIG. 5 is a top perspective view of the water float as shown in FIG. 1; FIG. 6 is a bottom perspective view of the water float as shown in FIG. 1; FIG. 7 is a top plan view of the water float as shown in FIG. 1; FIG. 8 is a further left side elevation view of the water float shown in FIG. 1; FIG. 9 is a rear elevation plan view of the water float shown in FIG. 1; and, FIG. 10 is a cross-section view of the water float shown along line 10-10 of FIG. 7. The dashed and dotted lines shown are provided for environmental purposes only and form no part of the claimed design.

**1 Claim, 3 Drawing Sheets**





*Fig.1*

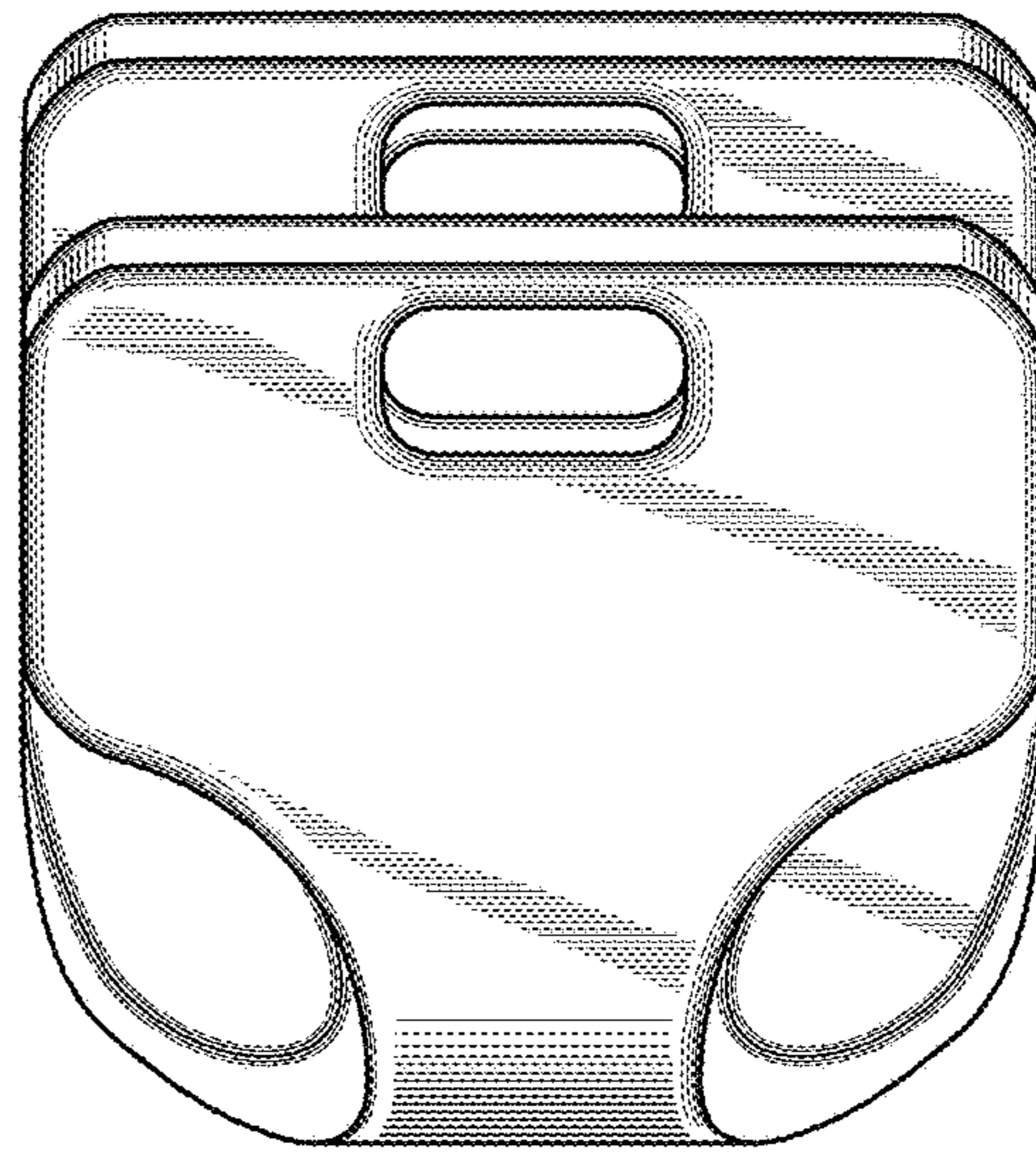


*Fig.2*

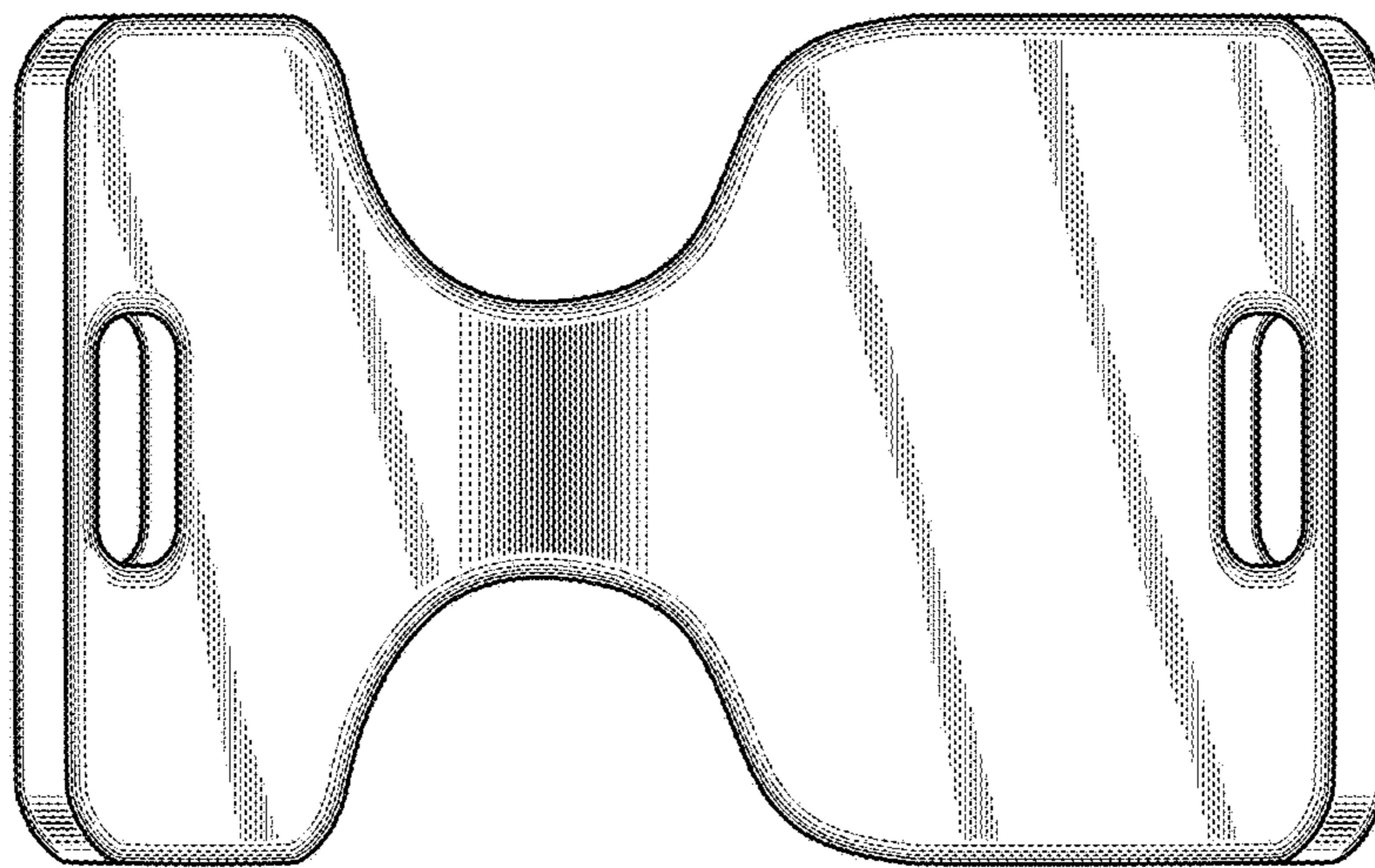




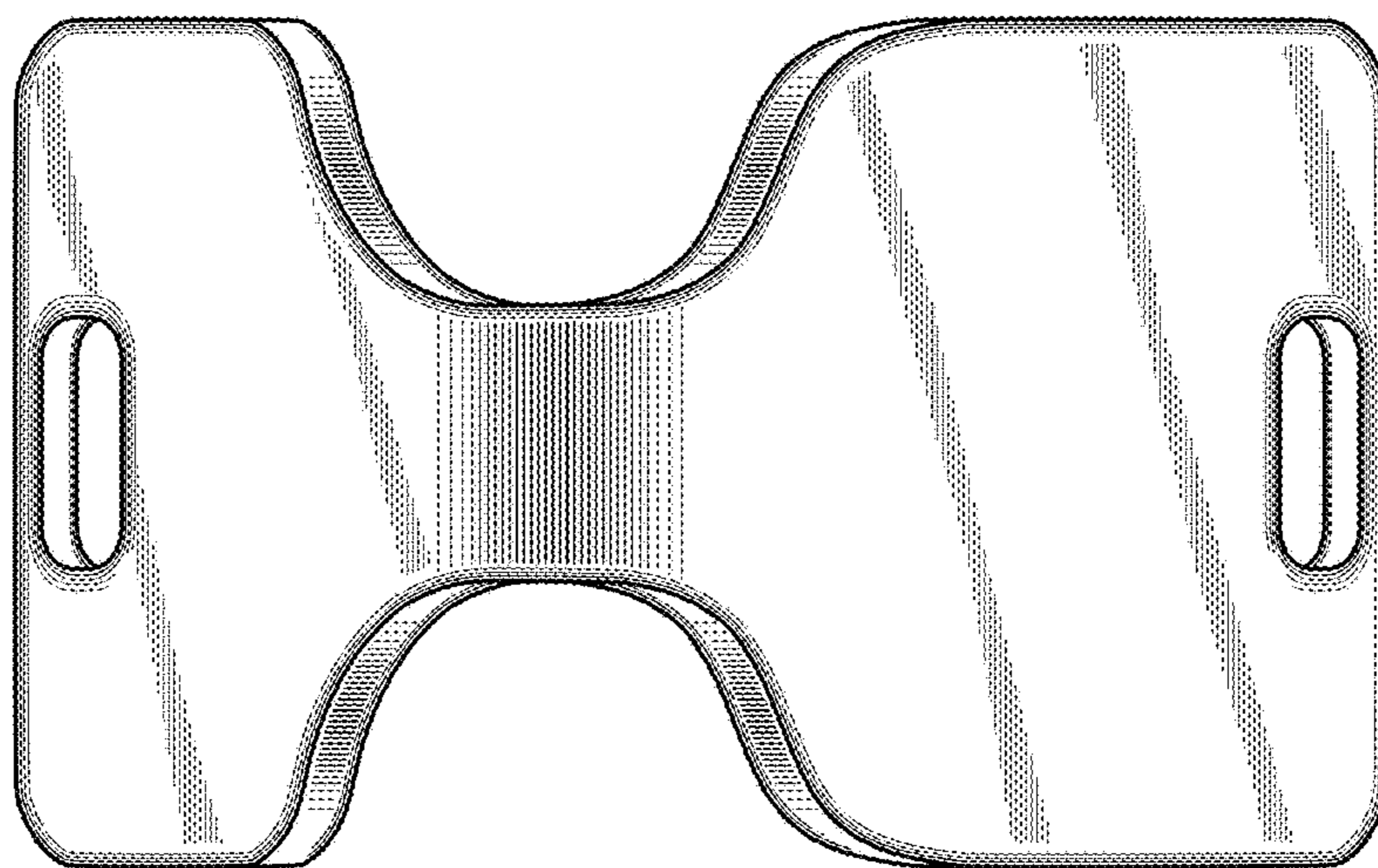
*Fig.3*



*Fig.4*



*Fig.5*



*Fig.6*

