



US00D776219S

(12) **United States Design Patent** (10) **Patent No.:** **US D776,219 S**
Sheldon et al. (45) **Date of Patent:** **** Jan. 10, 2017**

(54) **GOLF CLUB HEAD**
(71) Applicant: **DUNLOP SPORTS CO., LTD.**, Kobe (JP)
(72) Inventors: **Adam Sheldon**, Long Beach, CA (US); **Mika Becktor**, Costa Mesa, CA (US)
(73) Assignee: **DUNLOP SPORTS CO. LTD.**, Kobe (JP)

5,464,212 A 11/1995 Cook
D380,514 S * 7/1997 Markley D21/741
5,766,093 A 6/1998 Rohrer
5,944,619 A 8/1999 Cameron
6,302,807 B1 10/2001 Rohrer
6,375,583 B1 4/2002 Solheim
6,680,822 B1 1/2004 Lin et al.
(Continued)

(**) Term: **15 Years**

(21) Appl. No.: **29/541,392**

(22) Filed: **Oct. 2, 2015**

(51) **LOC (10) Cl.** **21-02**

(52) **U.S. Cl.**
USPC **D21/759**

(58) **Field of Classification Search**
USPC D21/736-746, 759
CPC ... A63B 53/065; A63B 53/0487; A63B 53/00;
A63B 53/007; A63B 53/04
See application file for complete search history.

(56) **References Cited**

U.S. PATENT DOCUMENTS

D228,930 S * 10/1973 Leigh D21/742
D239,402 S * 3/1976 Kindred D21/741
D291,343 S * 8/1987 Shearer D21/744
D297,445 S * 8/1988 Shearer D21/743
D297,446 S * 8/1988 Shearer D21/743
D297,964 S * 10/1988 Shearer D21/743
D322,829 S * 12/1991 Antonious D21/742
D325,950 S * 5/1992 Duran D21/744
D337,803 S * 7/1993 Sillers D21/741
5,405,136 A 4/1995 Hardman
5,417,429 A * 5/1995 Strand A63B 69/3685
473/251
D360,669 S * 7/1995 Buscemi D21/743

OTHER PUBLICATIONS

Nike Golf Method Converge M1-08 Putter. Information and images available at: <<http://www.golfwrx.com/246795/full-nike-2015-equipment-line>>, pp. 10-11. Oct. 1, 2014.

(Continued)

Primary Examiner — Mitchell Siegel
(74) *Attorney, Agent, or Firm* — Oliff PLC

(57) **CLAIM**

The ornamental design for a golf club head, as shown and described.

DESCRIPTION

FIG. 1 is a front, heel-side, top perspective view of the golf club head;

FIG. 2 is a rear, heel-side, top perspective view thereof;

FIG. 3 is a front elevational view thereof;

FIG. 4 is a top plan view thereof;

FIG. 5 is a heel-side elevational view thereof;

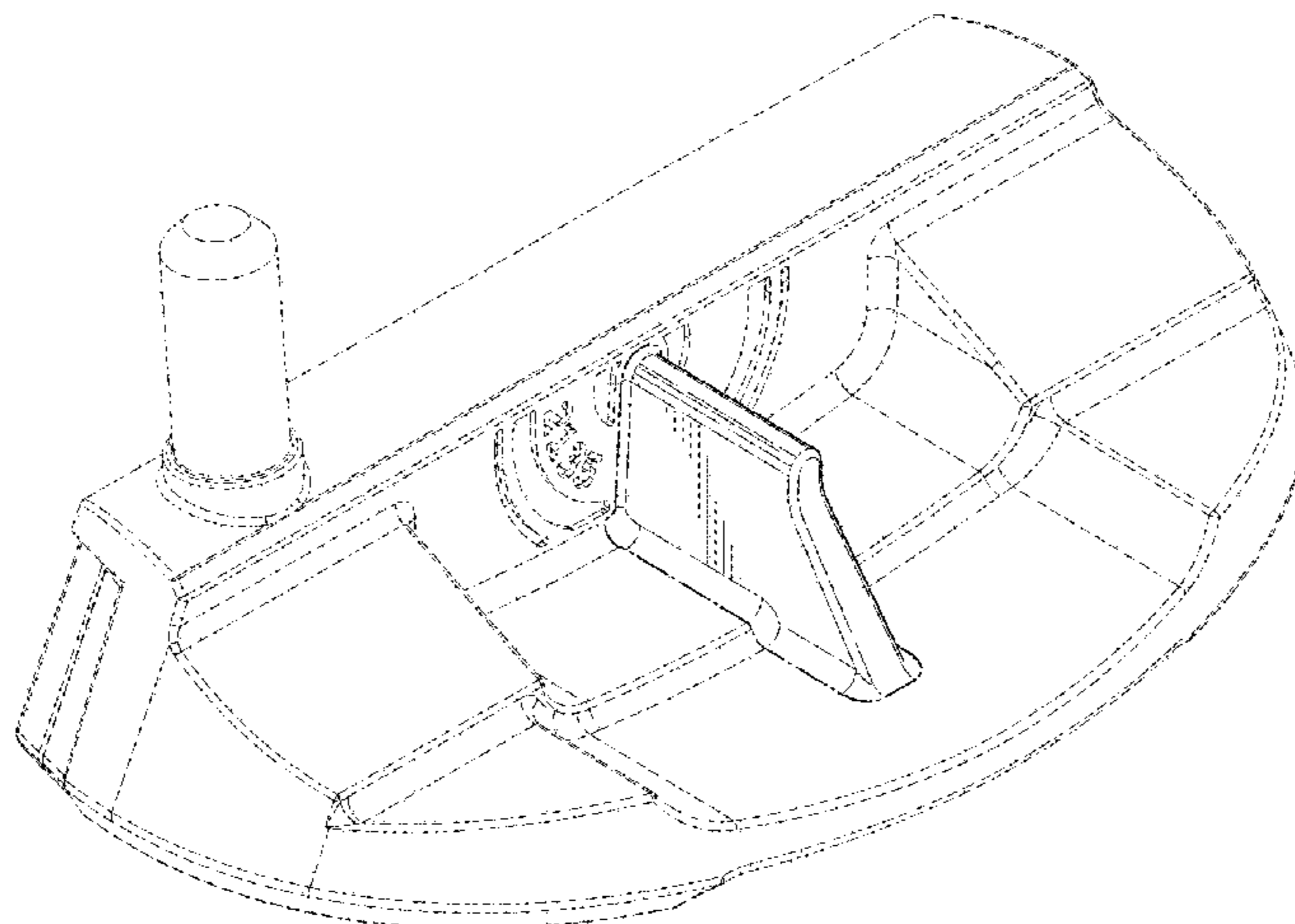
FIG. 6 is a toe-side elevational view thereof;

FIG. 7 is a rear elevational view thereof; and,

FIG. 8 is a bottom plan view thereof.

The dot-dash chain lines illustrate the boundaries of the claimed design and form no part of the claimed design. The broken lines illustrate environmental subject matter and form no part of the claimed design.

1 Claim, 7 Drawing Sheets



(56)

References Cited

U.S. PATENT DOCUMENTS

D511,801 S *	11/2005	Garcia	D21/742
7,175,540 B2	2/2007	Sano	
7,455,599 B2	11/2008	Jones	
7,648,424 B2	1/2010	Hinojosa	
D641,440 S *	7/2011	Hettinger	D21/743
D691,681 S *	10/2013	Hilton	D21/736
8,771,098 B2	7/2014	Hilton	
8,834,285 B2	9/2014	Franklin et al.	
D730,462 S	5/2015	Becktor et al.	
D730,463 S	5/2015	Dolezel et al.	
D732,120 S	6/2015	Becktor et al.	
D732,121 S	6/2015	Trahan et al.	
D732,122 S	6/2015	Becktor	
D732,618 S	6/2015	Becktor et al.	
D733,233 S	6/2015	Dolezel et al.	
2010/0173720 A1 *	7/2010	Kim	A63B 53/0487 473/252
2012/0149492 A1	6/2012	Del Rosario et al.	
2014/0194220 A1	7/2014	Hocknell et al.	

OTHER PUBLICATIONS

Nike Method Converge B1-01 Putter. Information and images available at: <<http://www.golfwrx.com/246795/full-nike-2015-equipment-line>>. Oct. 1, 2014.

Nike Method Converge S1-12 Putter. Information and images available at: <<http://www.golfwrx.com/246795/full-nike-2015-equipment-line>>. Oct. 1, 2014.

Cobra Golf Payday putter. Information and images available at: <http://valueguide.pga.com/detail-exec/brand/2678/product_type/206/model/44329/b/Cobra/p/Putter/m/Payday%20Mallet>. Nov. 26, 2007.

Cobra Golf Bobby Grace Cute Kid Putter. Information and images available at: <https://valueguide.pga.com/detail-exec/brand/2678/product_type/206/model/43637/b/Cobra/p/Putter/m/Bobby%20Grace%20The%20Cute%20Kid>. Nov. 26, 2007.

* cited by examiner

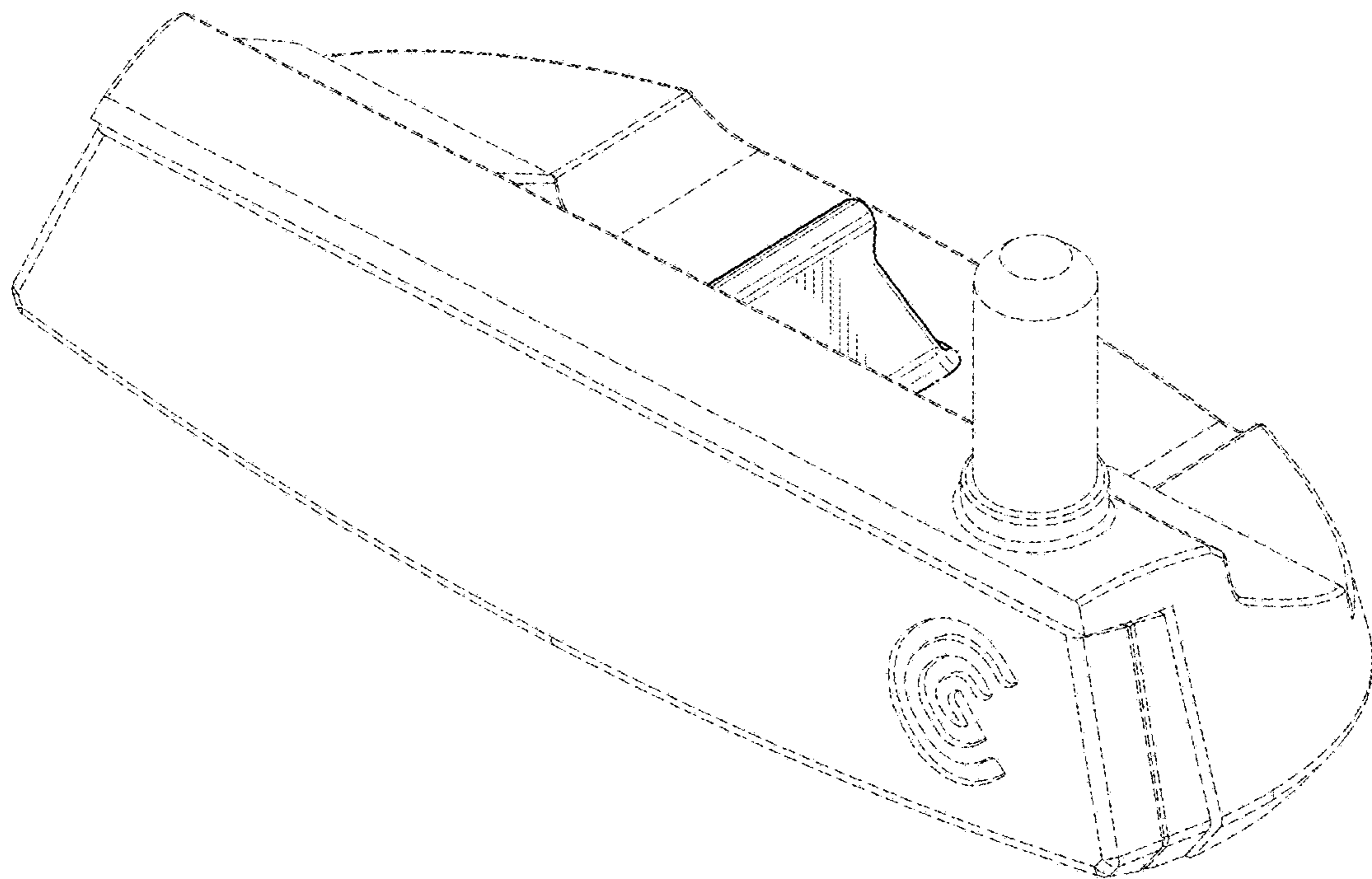


FIG. 1

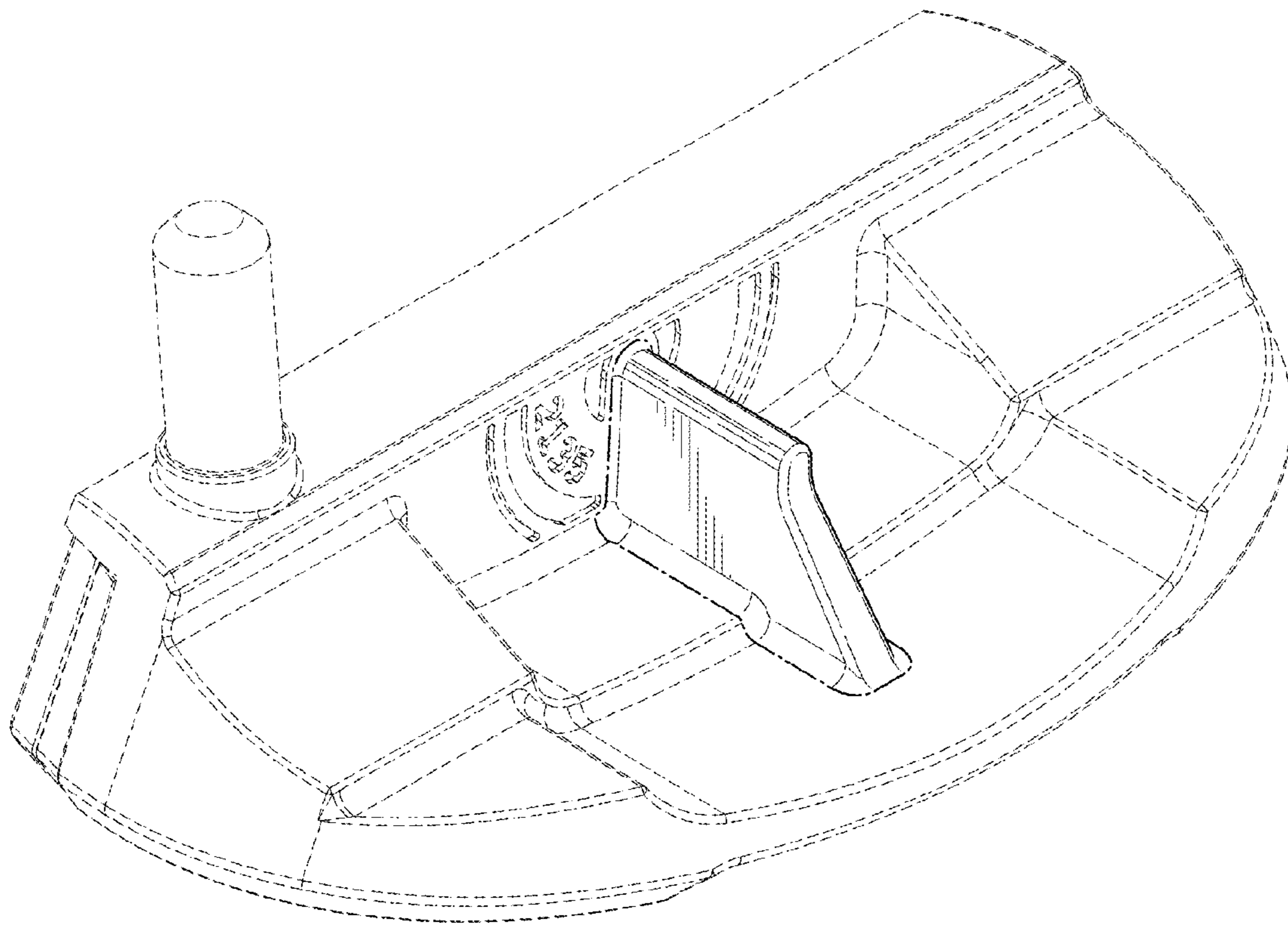


FIG. 2

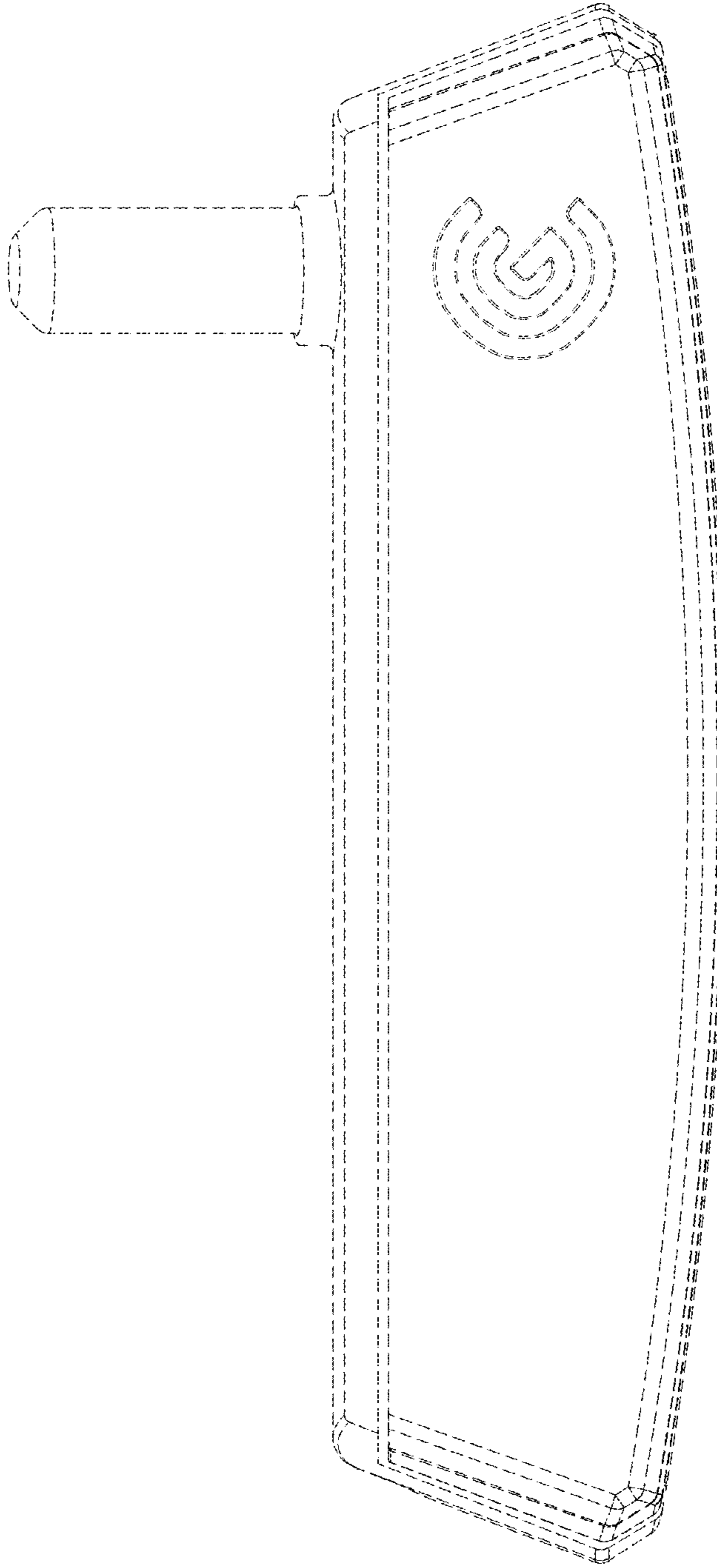


FIG. 3

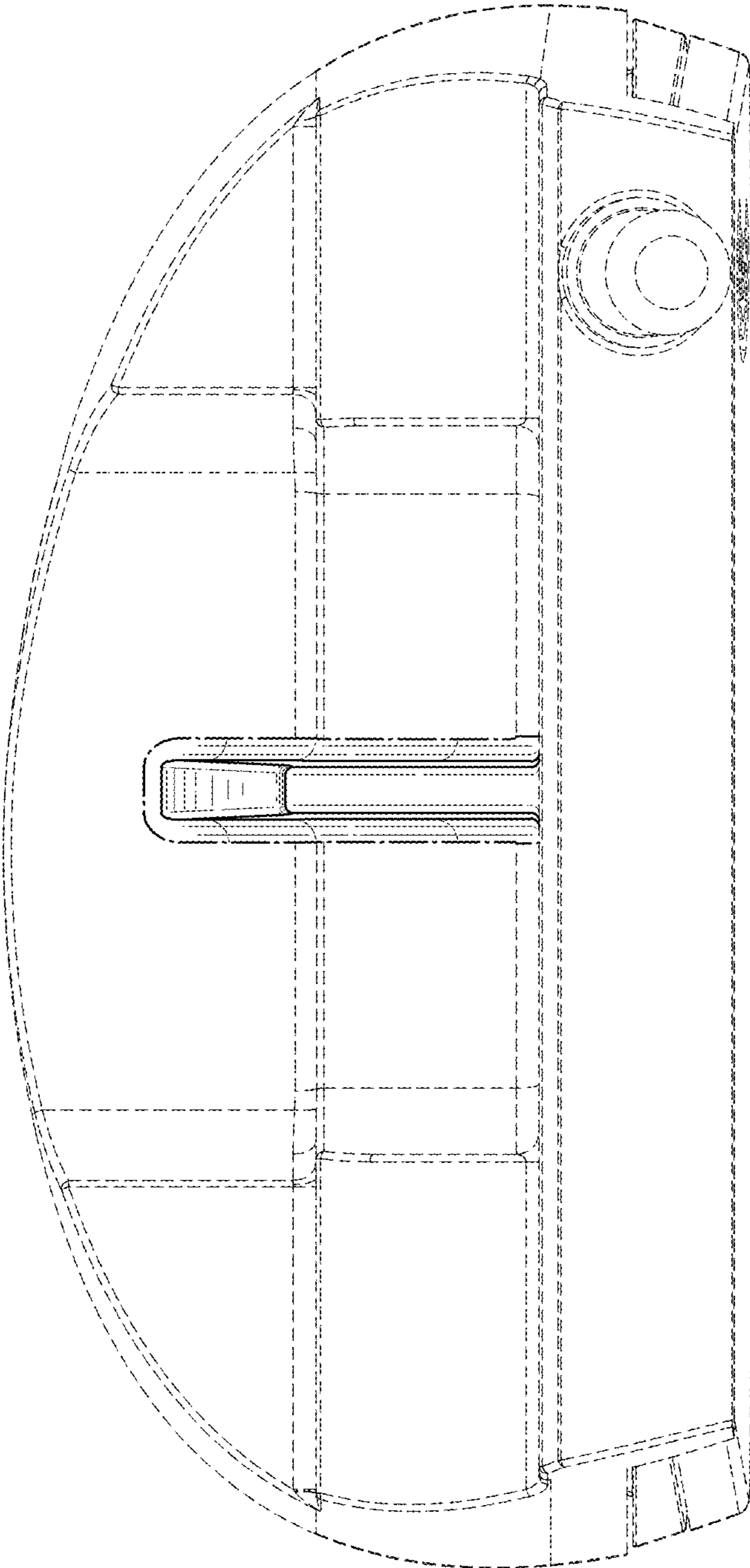


FIG. 4

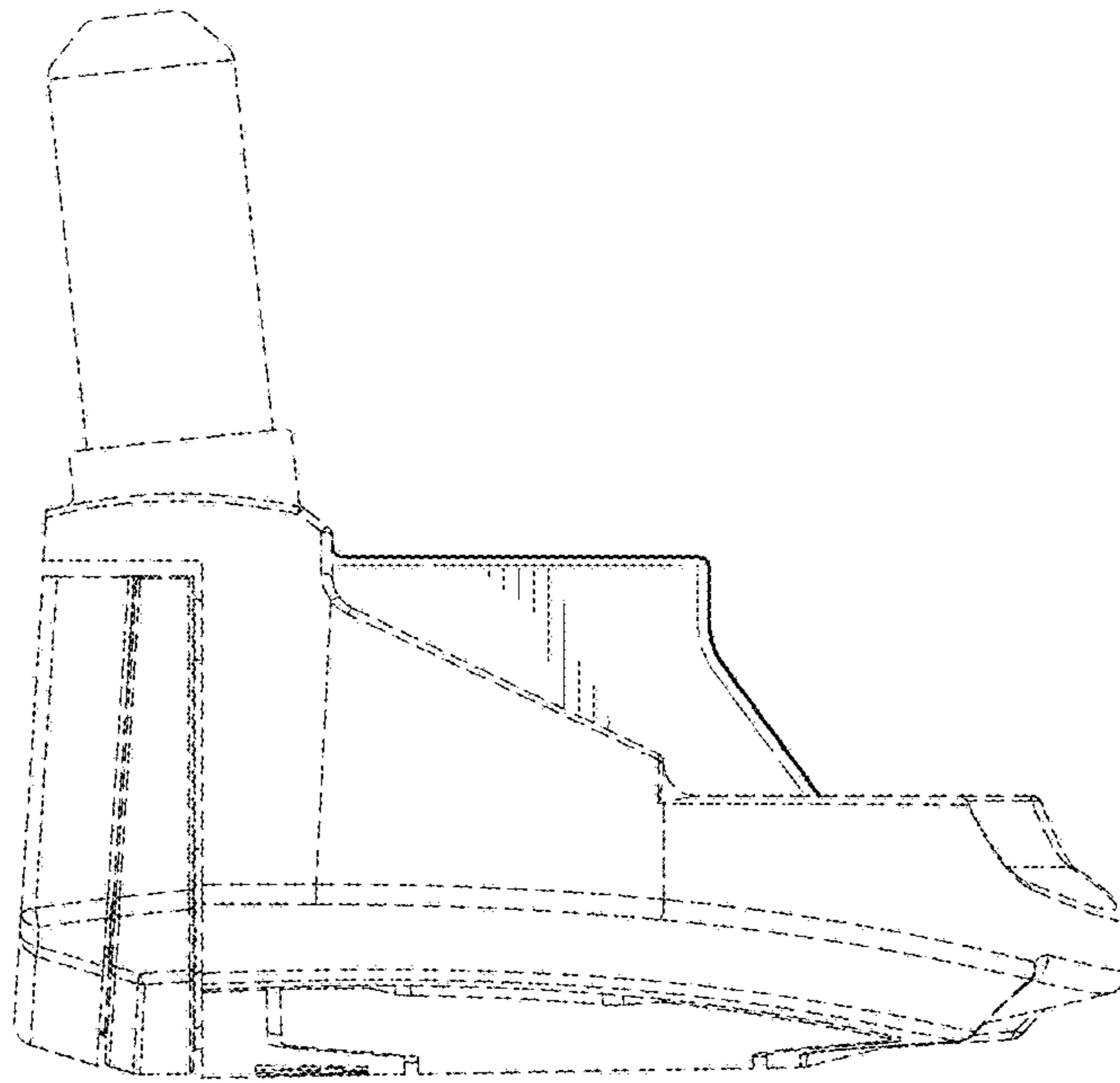


FIG. 5

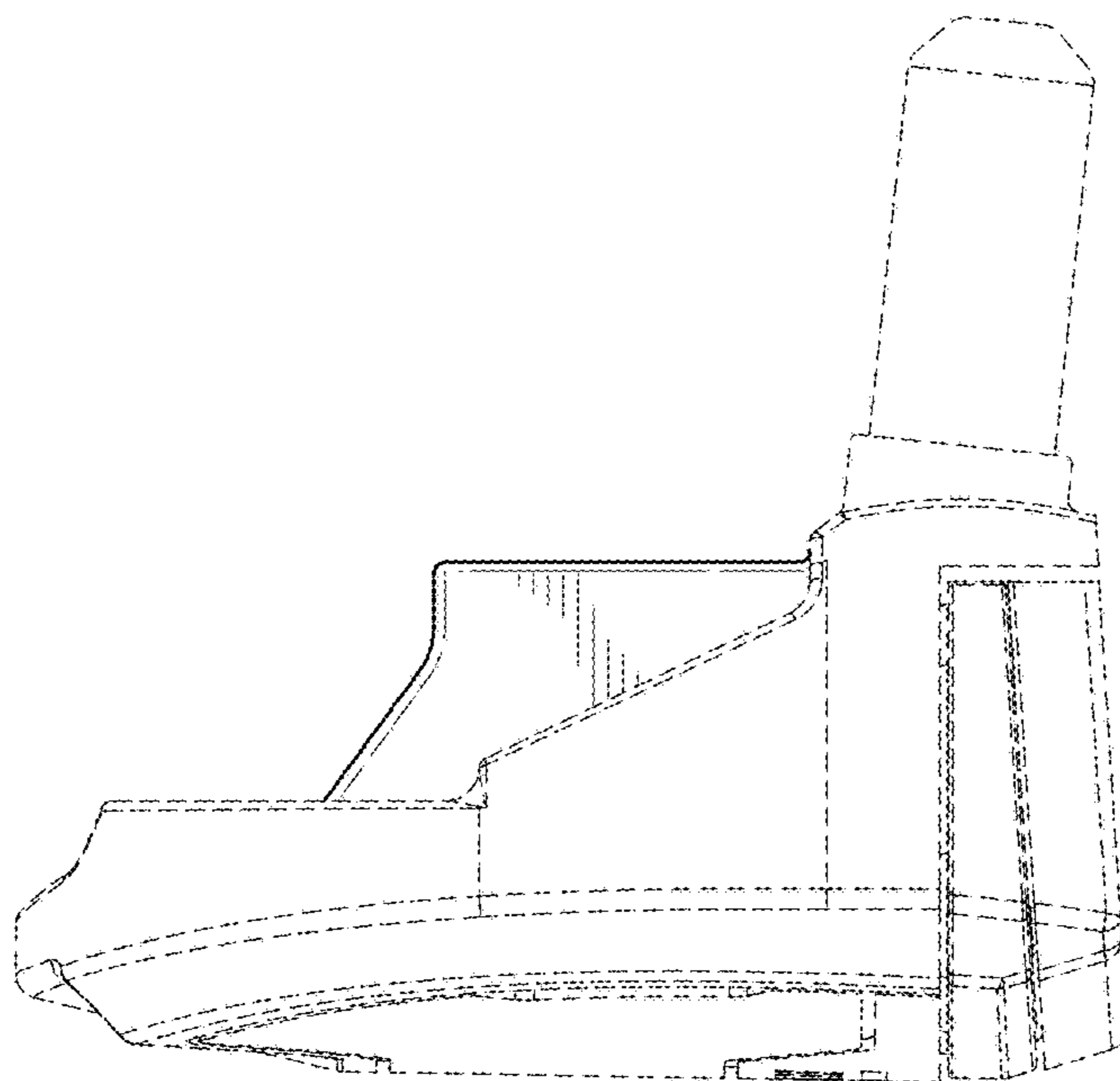


FIG. 6

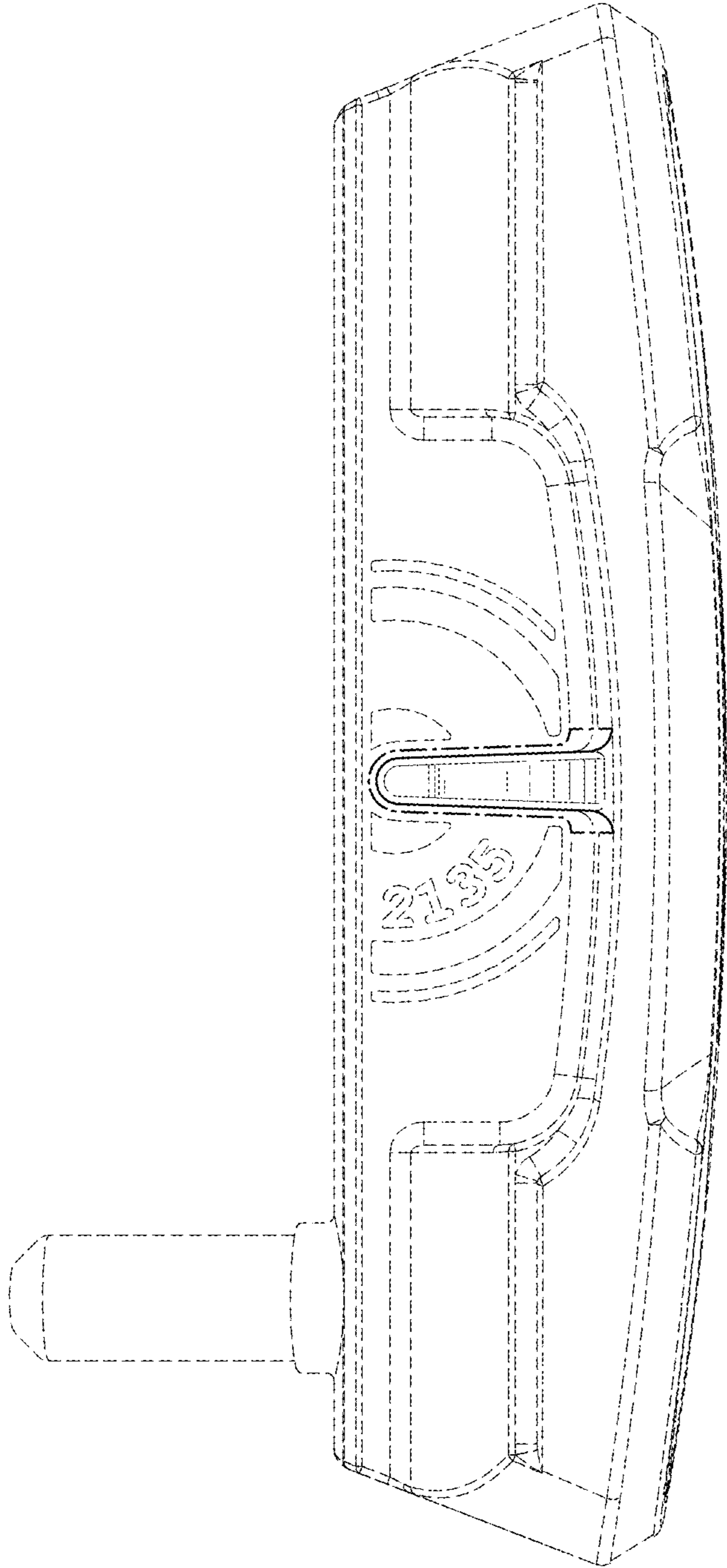


FIG. 7

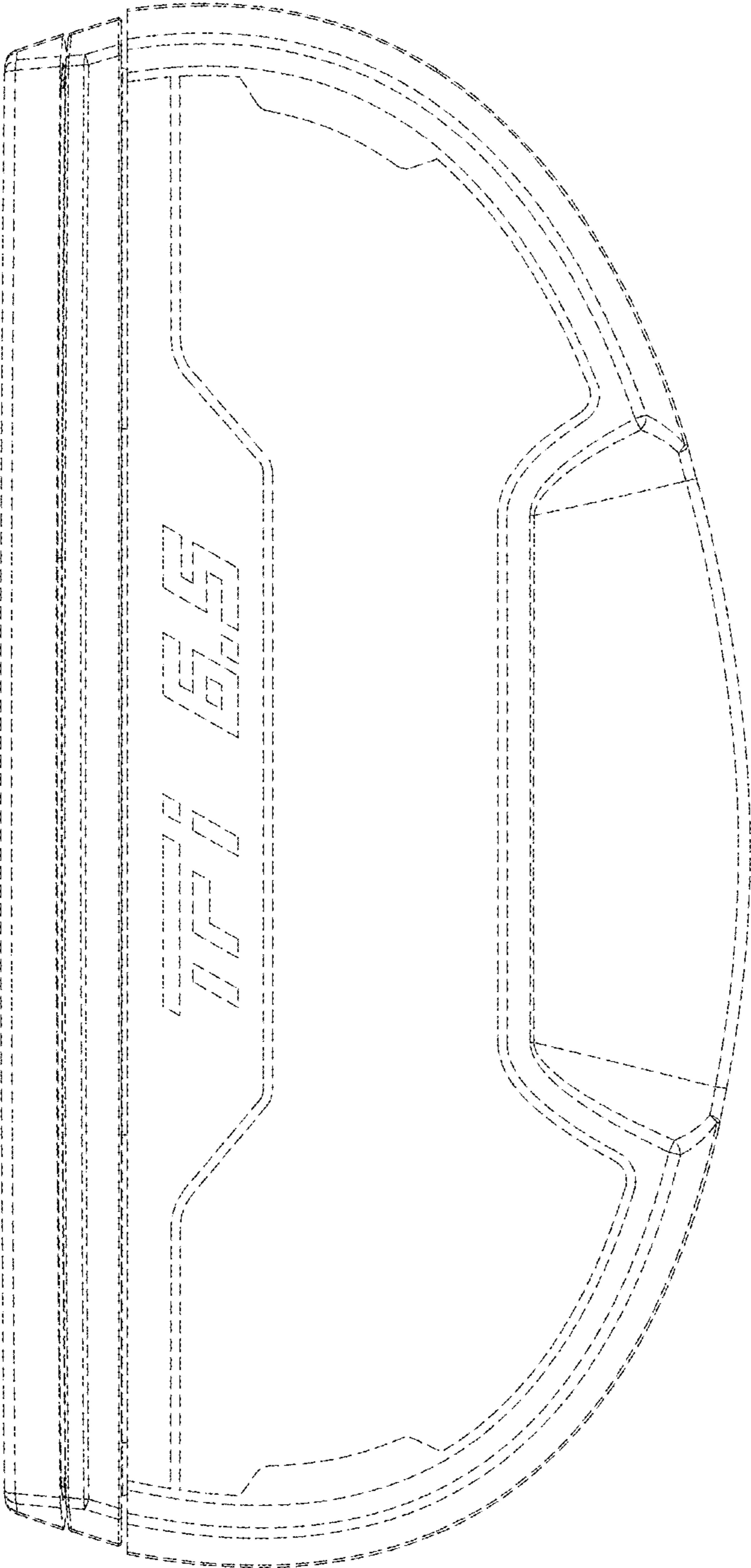


FIG. 8