

US00D776218S

(12) **United States Design Patent**  
**Seagram**

(10) **Patent No.:** **US D776,218 S**

(45) **Date of Patent:** **\*\* Jan. 10, 2017**

(54) **GOLF CLUB HEAD**

(71) Applicant: **DUNLOP SPORTS CO. LTD.**, Kobe (JP)

(72) Inventor: **Phillip C. Seagram**, Long Beach, CA (US)

(73) Assignee: **DUNLOP SPORTS CO. LTD.**, Kobe (JP)

(\*\*) Term: **15 Years**

(21) Appl. No.: **29/541,350**

(22) Filed: **Oct. 2, 2015**

(51) **LOC (10) Cl.** ..... **21-02**

(52) **U.S. Cl.**  
USPC ..... **D21/759**

(58) **Field of Classification Search**  
USPC ..... D21/736-746, 759  
CPC ... A63B 53/065; A63B 53/0487; A63B 53/00;  
A63B 53/007; A63B 53/04  
See application file for complete search history.

(56) **References Cited**

**U.S. PATENT DOCUMENTS**

|           |     |         |            |               |
|-----------|-----|---------|------------|---------------|
| 5,405,136 | A   | 4/1995  | Hardman    |               |
| 5,464,212 | A   | 11/1995 | Cook       |               |
| 5,766,093 | A   | 6/1998  | Rohrer     |               |
| 5,944,619 | A   | 8/1999  | Cameron    |               |
| 6,302,807 | B1  | 10/2001 | Rohrer     |               |
| 6,375,583 | B1  | 4/2002  | Solheim    |               |
| D479,867  | S * | 9/2003  | Saliba     | ..... D21/752 |
| 6,680,822 | B1  | 1/2004  | Lin et al. |               |
| 7,175,540 | B2  | 2/2007  | Sano       |               |
| 7,455,599 | B2  | 11/2008 | Jones      |               |
| 7,648,424 | B2  | 1/2010  | Hinojosa   |               |
| D621,892  | S * | 8/2010  | Kohno      | ..... D21/752 |
| D661,754  | S * | 6/2012  | Cameron    | ..... D21/759 |

|           |     |        |                 |               |
|-----------|-----|--------|-----------------|---------------|
| D707,771  | S * | 6/2014 | Cameron         | ..... D21/759 |
| 8,771,098 | B2  | 7/2014 | Hilton          |               |
| 8,834,285 | B2  | 9/2014 | Franklin et al. |               |
| D730,462  | S   | 5/2015 | Becktor et al.  |               |
| D730,463  | S   | 5/2015 | Dolezel et al.  |               |
| D730,465  | S * | 5/2015 | Cameron         | ..... D21/759 |
| D732,120  | S   | 6/2015 | Becktor et al.  |               |

(Continued)

**OTHER PUBLICATIONS**

Nike Golf Method Converge M1-08 Putter. Information and images available at: <<http://www.golfwrx.com/246795/full-nike-2015-equipment-line>>, pp. 10-11. Oct. 1, 2014.

(Continued)

*Primary Examiner* — Mitchell Siegel  
(74) *Attorney, Agent, or Firm* — Oliff PLC

(57) **CLAIM**

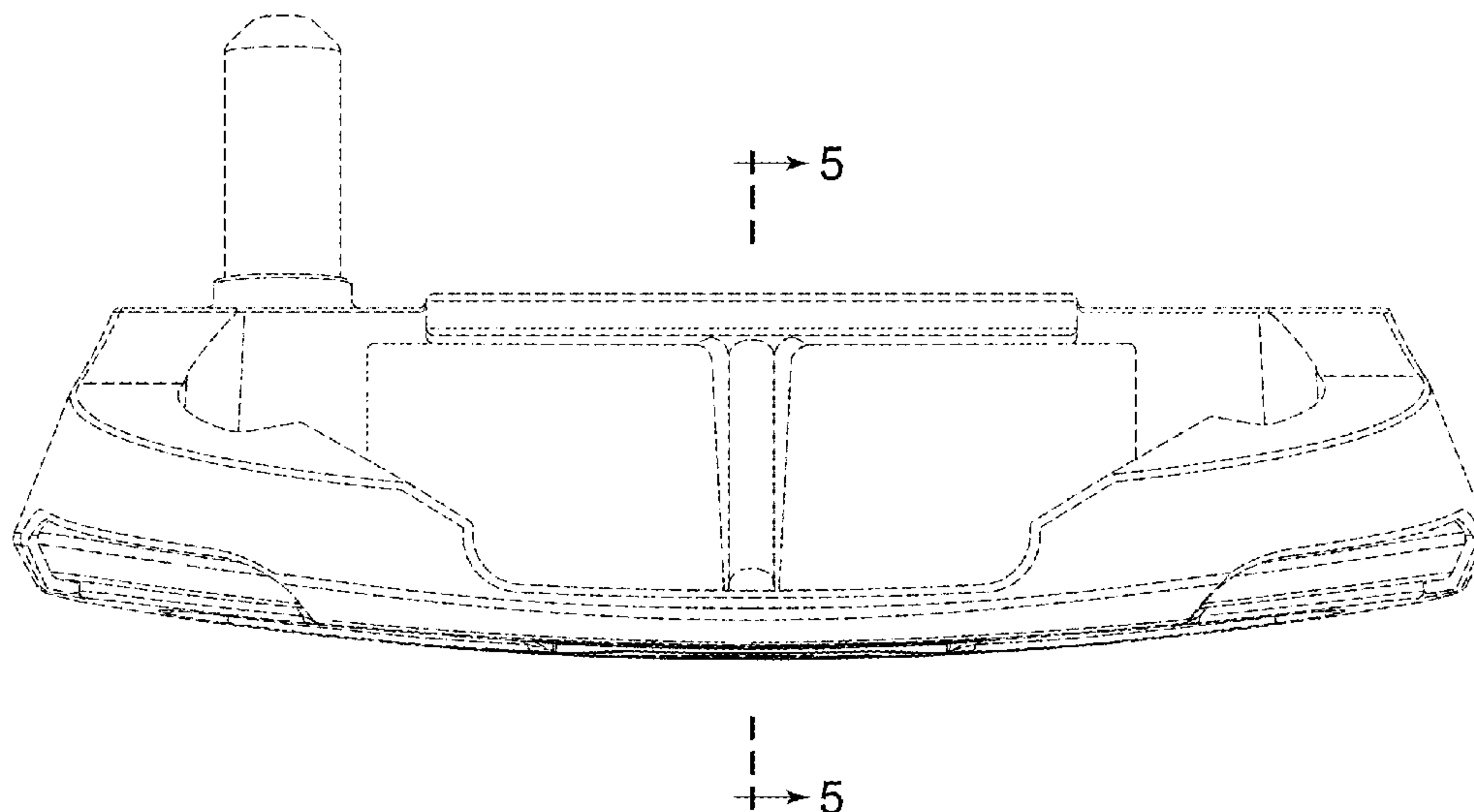
The ornamental design for a golf club head, as shown and described.

**DESCRIPTION**

FIG. 1 is a heel-side elevational view of the golf club head; FIG. 2 is a toe-side elevational view thereof; FIG. 3 is a rear elevational view thereof; FIG. 4 is a bottom plan view thereof; and, FIG. 5 is a cross-sectional view thereof taken along line 5-5 in FIG. 3.

The dot-dash chain lines illustrate the boundaries of the claimed design and form no part of the claimed design. The broken lines illustrate environmental subject matter and form no part of the claimed design. The two solid-line crosshatch patterns each represent an area having a different surface texture, surface treatment, color, and/or material from the other.

**1 Claim, 4 Drawing Sheets**



(56)

**References Cited**

U.S. PATENT DOCUMENTS

|                 |        |                    |         |
|-----------------|--------|--------------------|---------|
| D732,121 S      | 6/2015 | Trahan et al.      |         |
| D732,122 S      | 6/2015 | Becktor            |         |
| D732,618 S      | 6/2015 | Becktor et al.     |         |
| D733,233 S      | 6/2015 | Dolezel et al.     |         |
| D750,186 S *    | 2/2016 | Schweigert .....   | D21/746 |
| D762,274 S *    | 7/2016 | Cardani .....      | D21/759 |
| D764,611 S *    | 8/2016 | Cardani .....      | D21/759 |
| 2012/0149492 A1 | 6/2012 | Del Rosario et al. |         |
| 2014/0194220 A1 | 7/2014 | Hocknell et al.    |         |

OTHER PUBLICATIONS

Nike Method Converge B1-01 Putter. Information and images available at: <<http://www.golfwrx.com/246795/full-nike-2015-equipment-line>>. Oct. 1, 2014.

Nike Method Converge S1-12 Putter. Information and images available at: <<http://www.golfwrx.com/246795/full-nike-2015-equipment-line>>. Oct. 1, 2014.

Cobra Golf Payday putter. Information and images available at: <[http://valueguide.pga.com/detail-exec/brand/2678/product\\_type/206/model/44329/b/Cobra/p/Putter/m/Payday%20Mallet](http://valueguide.pga.com/detail-exec/brand/2678/product_type/206/model/44329/b/Cobra/p/Putter/m/Payday%20Mallet)>. Nov. 26, 2007.

Cobra Golf Bobby Grace Cute Kid Putter. Information and images available at: <[https://valueguide.pga.com/detail-exec/brand/2678/product\\_type/206/model/43637/b/Cobra/p/Putter/m/Bobby%20Grace%20The%20Cute%20Kid](https://valueguide.pga.com/detail-exec/brand/2678/product_type/206/model/43637/b/Cobra/p/Putter/m/Bobby%20Grace%20The%20Cute%20Kid)>. Nov. 26, 2007.

\* cited by examiner

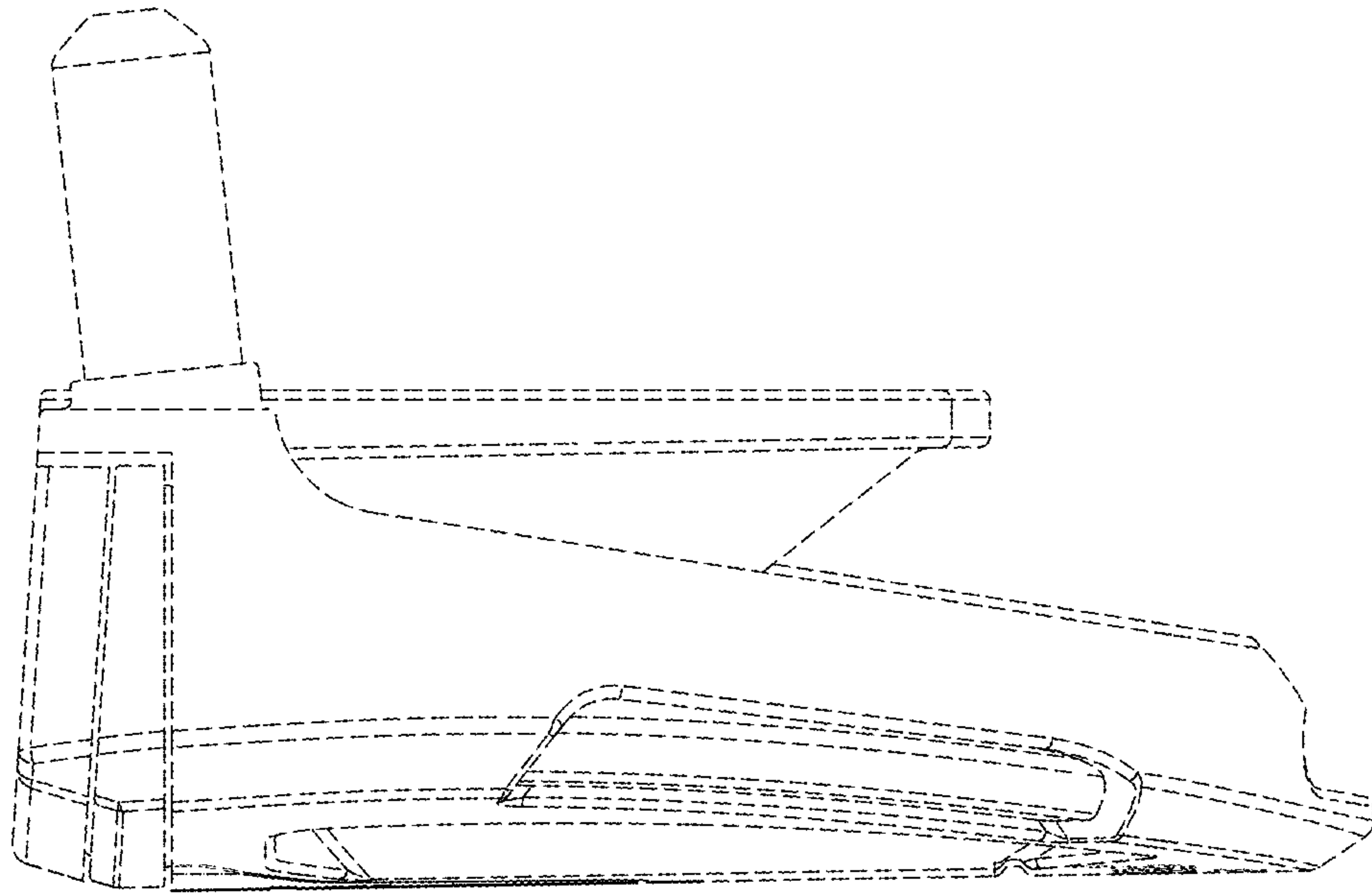


FIG. 1

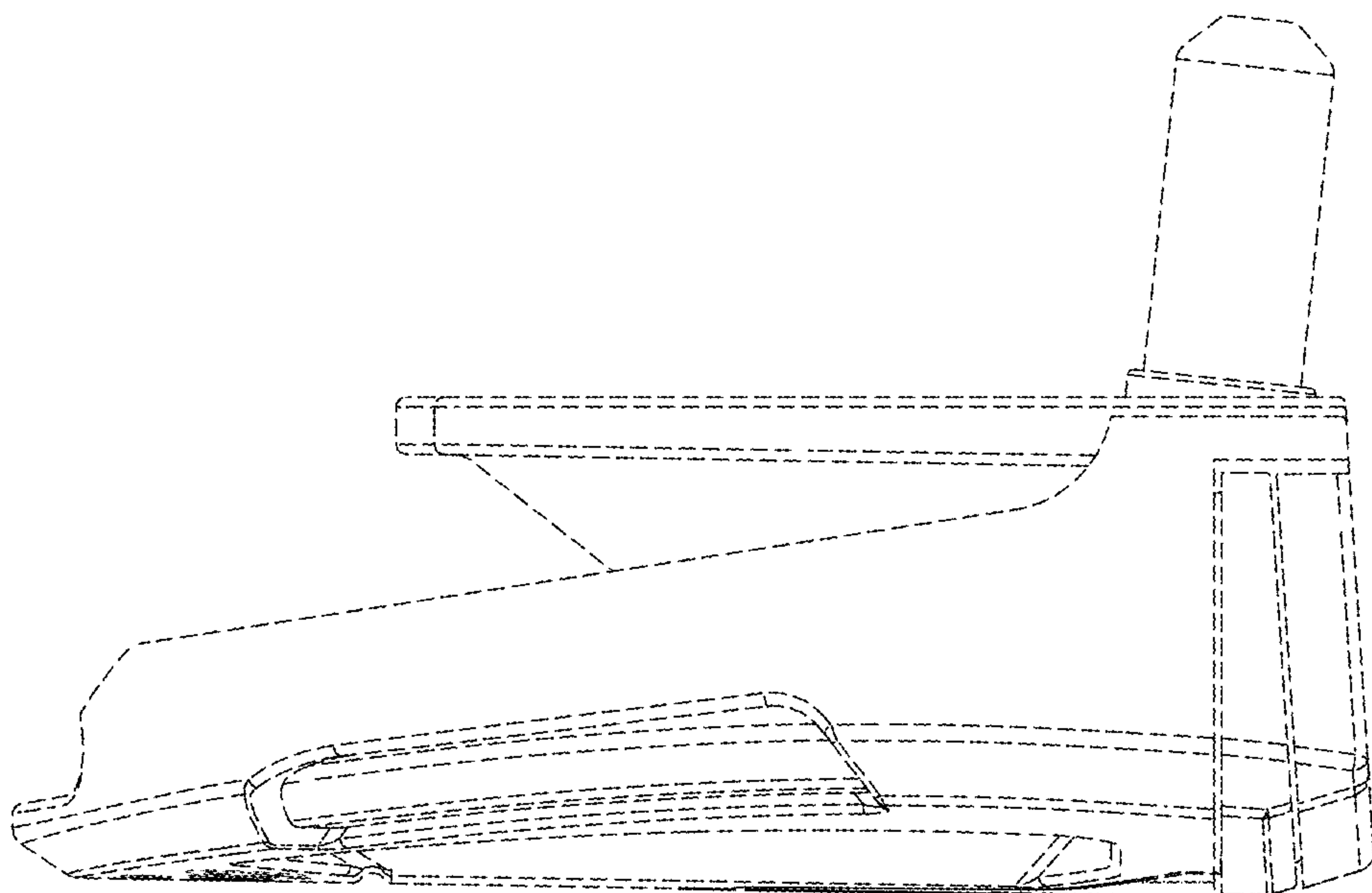


FIG. 2

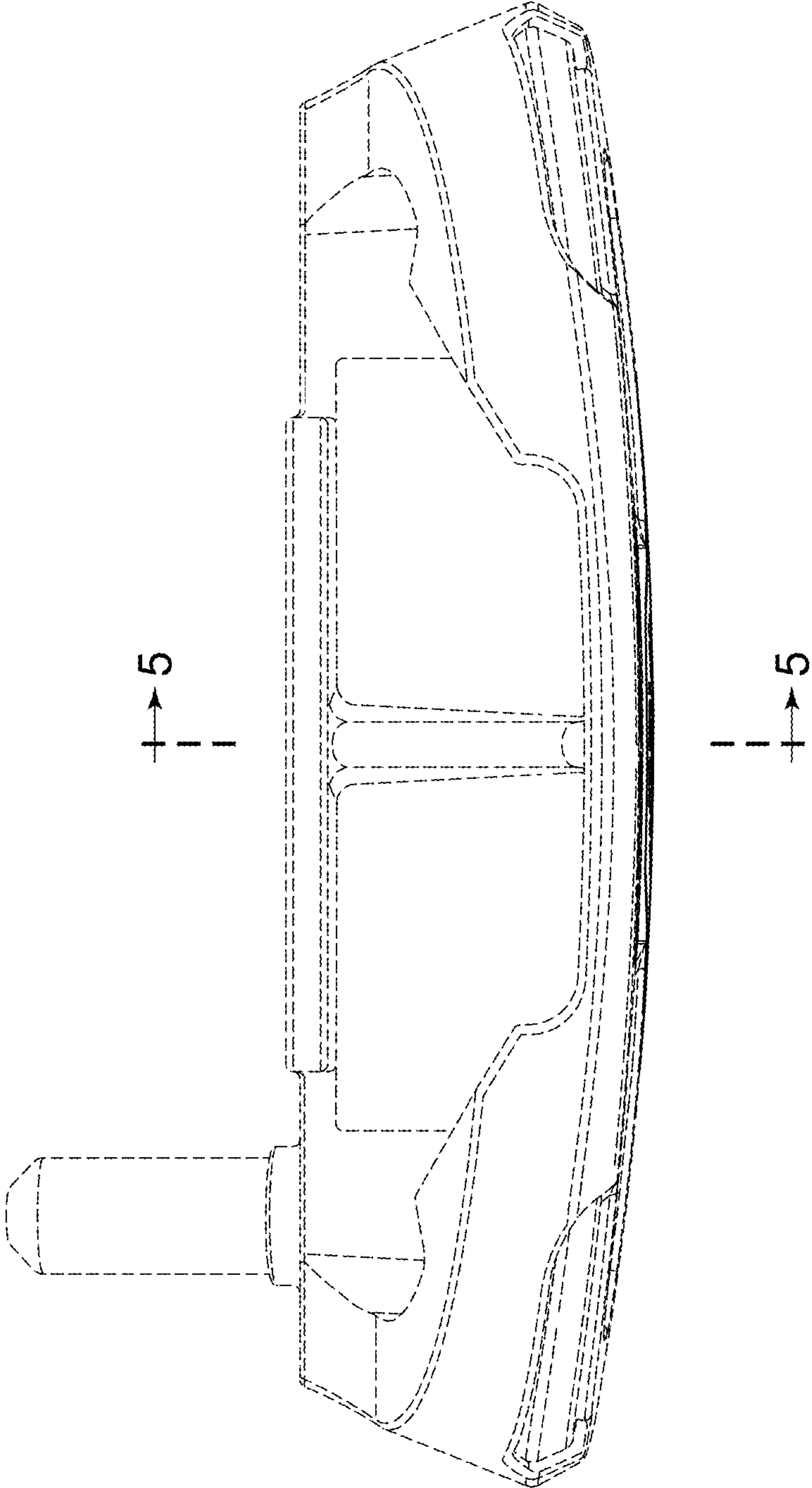


FIG. 3



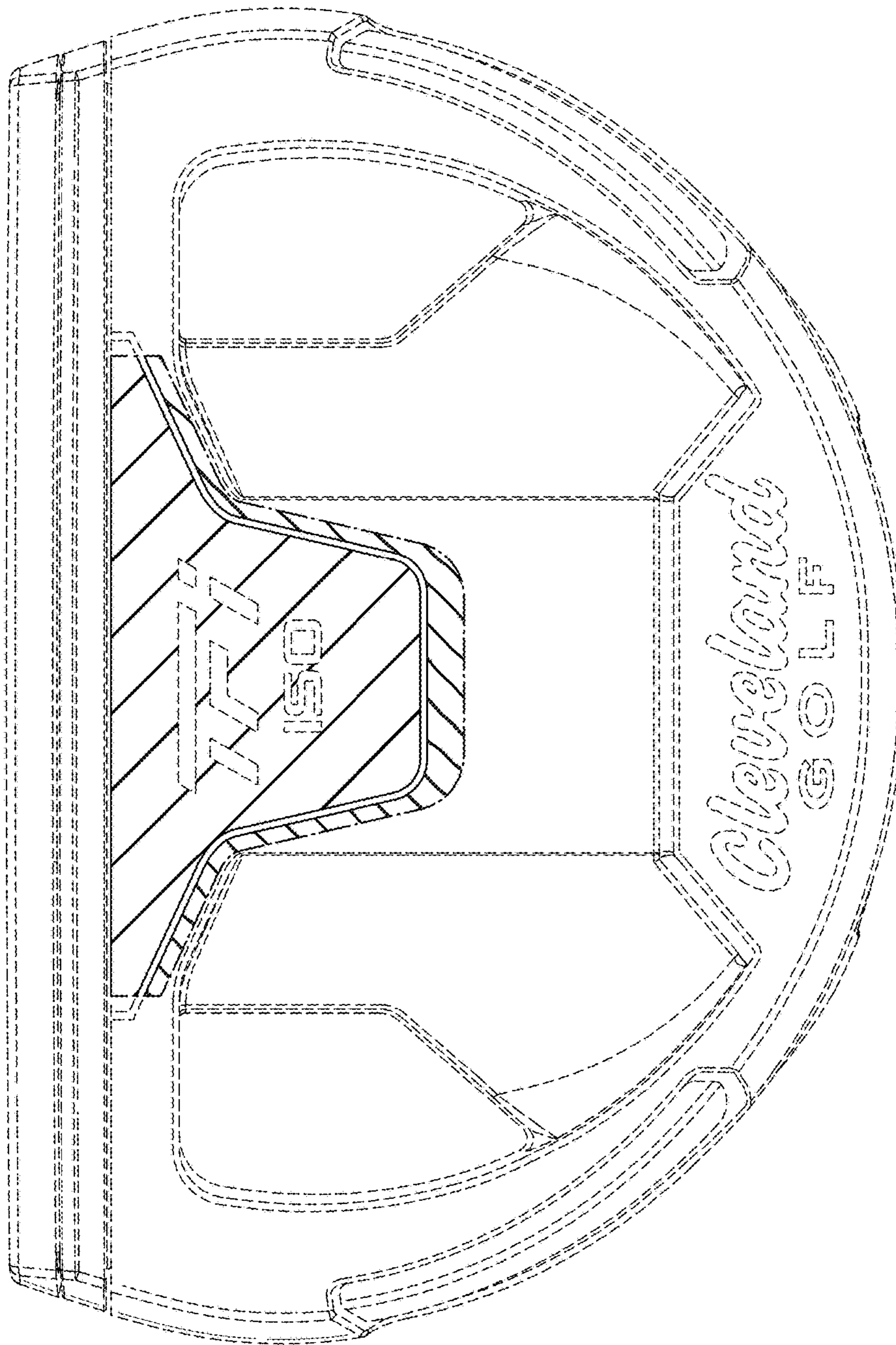


FIG. 4

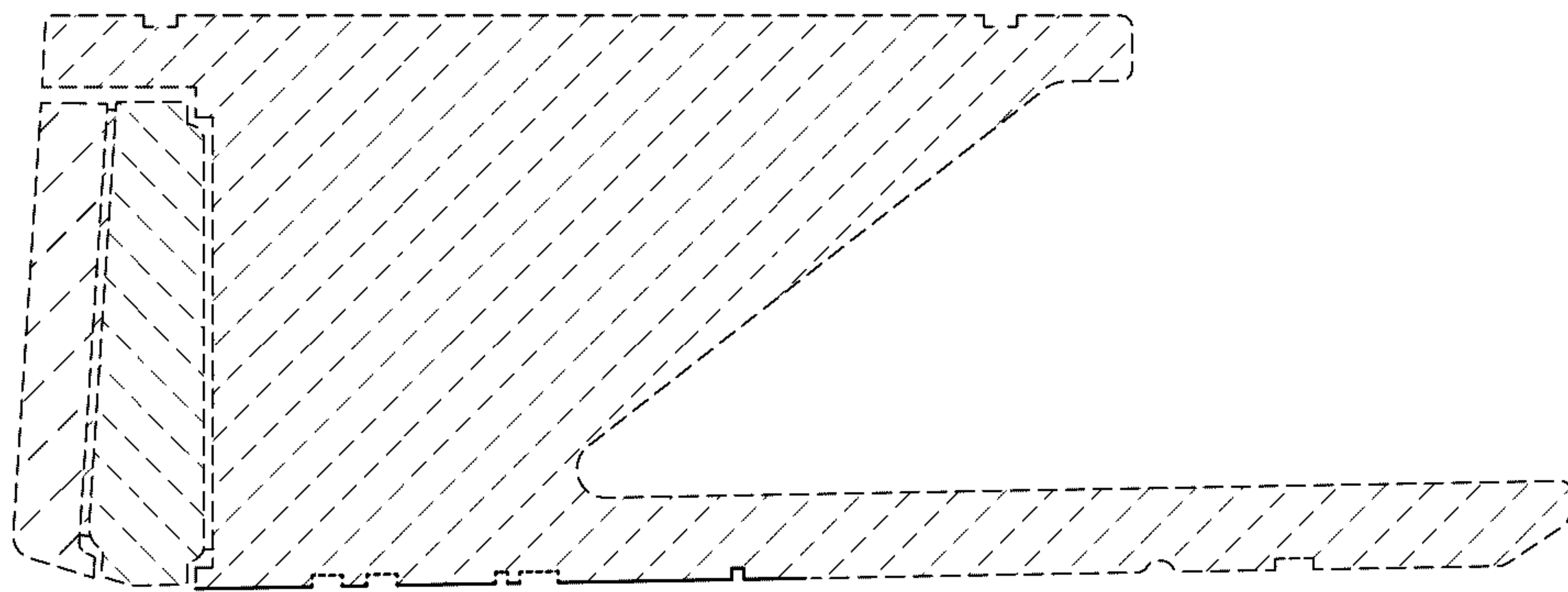


FIG. 5