

US00D776217S

(12) **United States Design Patent** (10) **Patent No.:** **US D776,217 S**  
**Seagram et al.** (45) **Date of Patent:** **\*\* Jan. 10, 2017**

- (54) **GOLF CLUB HEAD**
- (71) Applicant: **DUNLOP SPORTS CO. LTD.**, Kobe (JP)
- (72) Inventors: **Phillip C. Seagram**, Long Beach, CA (US); **Mika Becktor**, Costa Mesa, CA (US)
- (73) Assignee: **DUNLOP SPORTS CO. LTD.**, Kobe (JP)
- (\*\*) Term: **15 Years**
- (21) Appl. No.: **29/541,345**
- (22) Filed: **Oct. 2, 2015**
- (51) **LOC (10) Cl.** ..... **21-02**
- (52) **U.S. Cl.**  
USPC ..... **D21/759**
- (58) **Field of Classification Search**  
USPC ..... D21/736-746, 759  
CPC ... A63B 53/065; A63B 53/0487; A63B 53/00;  
A63B 53/007; A63B 53/04  
See application file for complete search history.

- 7,648,424 B2 1/2010 Hinojosa  
D626,191 S \* 10/2010 Hilton ..... D21/744  
D709,971 S \* 7/2014 Trahan ..... D21/759  
D709,973 S \* 7/2014 Trahan ..... D21/759  
8,771,098 B2 7/2014 Hilton  
8,834,285 B2 9/2014 Franklin et al.  
D730,462 S \* 5/2015 Becktor ..... D21/742  
D730,463 S 5/2015 Dolezel et al.  
D732,120 S \* 6/2015 Becktor ..... D21/742  
(Continued)

**OTHER PUBLICATIONS**

Nike Golf Method Converge M1-08 Putter. Information and images available at: <<http://www.golfwrx.com/246795/full-nike-2015-equipment-line>>, pp. 10-11. Oct. 1, 2014.  
(Continued)

*Primary Examiner* — Mitchell Siegel  
(74) *Attorney, Agent, or Firm* — Oliff PLC

(57) **CLAIM**

The ornamental design for a golf club head, as shown and described.

**DESCRIPTION**

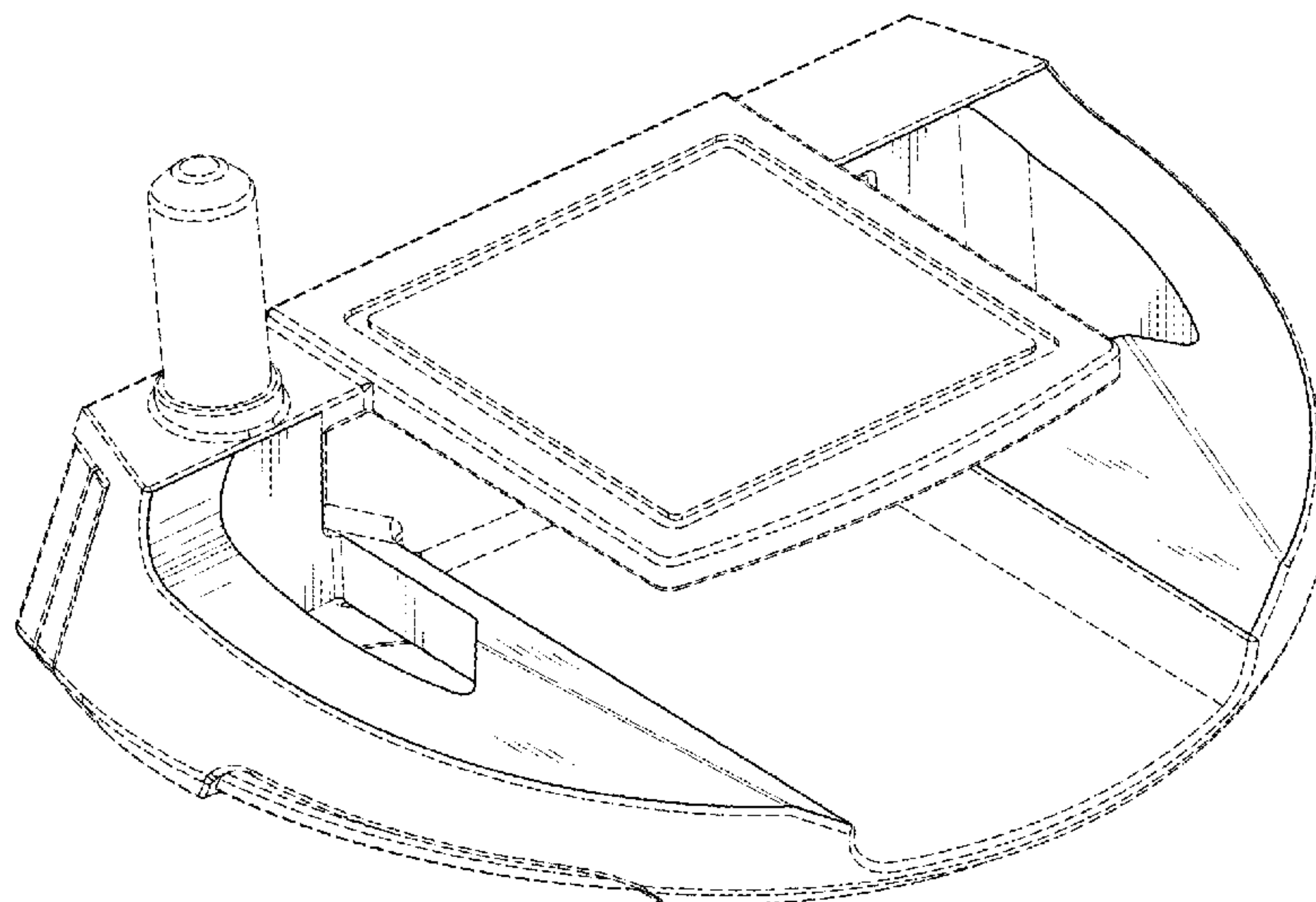
FIG. 1 is a front, heel-side, top perspective view of the golf club head;  
FIG. 2 is a rear, heel-side, top perspective view thereof;  
FIG. 3 is a front elevational view thereof;  
FIG. 4 is a top plan view thereof;  
FIG. 5 is a heel-side elevational view thereof;  
FIG. 6 is a toe-side elevational view thereof;  
FIG. 7 is a rear elevational view thereof; and,  
FIG. 8 is a bottom plan view thereof.  
The broken lines depict environmental subject matter only and form no part of the claimed design.

**1 Claim, 7 Drawing Sheets**

(56) **References Cited**

**U.S. PATENT DOCUMENTS**

- D296,120 S \* 6/1988 Brace ..... D21/739  
5,405,136 A 4/1995 Hardman  
5,464,212 A 11/1995 Cook  
5,766,093 A 6/1998 Rohrer  
5,944,619 A 8/1999 Cameron  
6,302,807 B1 10/2001 Rohrer  
6,375,583 B1 4/2002 Solheim  
6,680,822 B1 1/2004 Lin et al.  
7,175,540 B2 2/2007 Sano  
D564,606 S \* 3/2008 Oldknow ..... D21/736  
7,455,599 B2 11/2008 Jones  
D590,035 S \* 4/2009 Hilton ..... D21/744



(56)

**References Cited**

U.S. PATENT DOCUMENTS

D732,121 S \* 6/2015 Trahan ..... D21/742  
D732,122 S \* 6/2015 Becktor ..... D21/742  
D732,618 S \* 6/2015 Becktor ..... D21/742  
D733,233 S 6/2015 Dolezel et al.  
2009/0170629 A1\* 7/2009 Hilton ..... A63B 53/0487  
473/334  
2012/0149492 A1 6/2012 Del Rosario et al.  
2014/0194220 A1 7/2014 Hocknell et al.

OTHER PUBLICATIONS

Nike Method Converge B1-01 Putter. Information and images available at: <<http://www.golfwrx.com/246795/full-nike-2015-equipment-line>>. Oct. 1, 2014.

Nike Method Converge S1-12 Putter. Information and images available at: <<http://www.golfwrx.com/246795/full-nike-2015-equipment-line>>. Oct. 1, 2014.

Cobra Golf Payday putter. Information and images available at: <[http://valueguide.pga.com/detail-exec/brand/2678/product\\_type/206/model/44329/b/Cobra/p/Putter/m/Payday%20Mallet](http://valueguide.pga.com/detail-exec/brand/2678/product_type/206/model/44329/b/Cobra/p/Putter/m/Payday%20Mallet)>. Nov. 26, 2007.

Cobra Golf Bobby Grace Cute Kid Putter. Information and images available at: <[https://valueguide.pga.com/detail-exec/brand/2678/product\\_type/206/model/43637/b/Cobra/p/Putter/m/Bobby%20Grace%20The%20Cute%20Kid](https://valueguide.pga.com/detail-exec/brand/2678/product_type/206/model/43637/b/Cobra/p/Putter/m/Bobby%20Grace%20The%20Cute%20Kid)>. Nov. 26, 2007.

\* cited by examiner

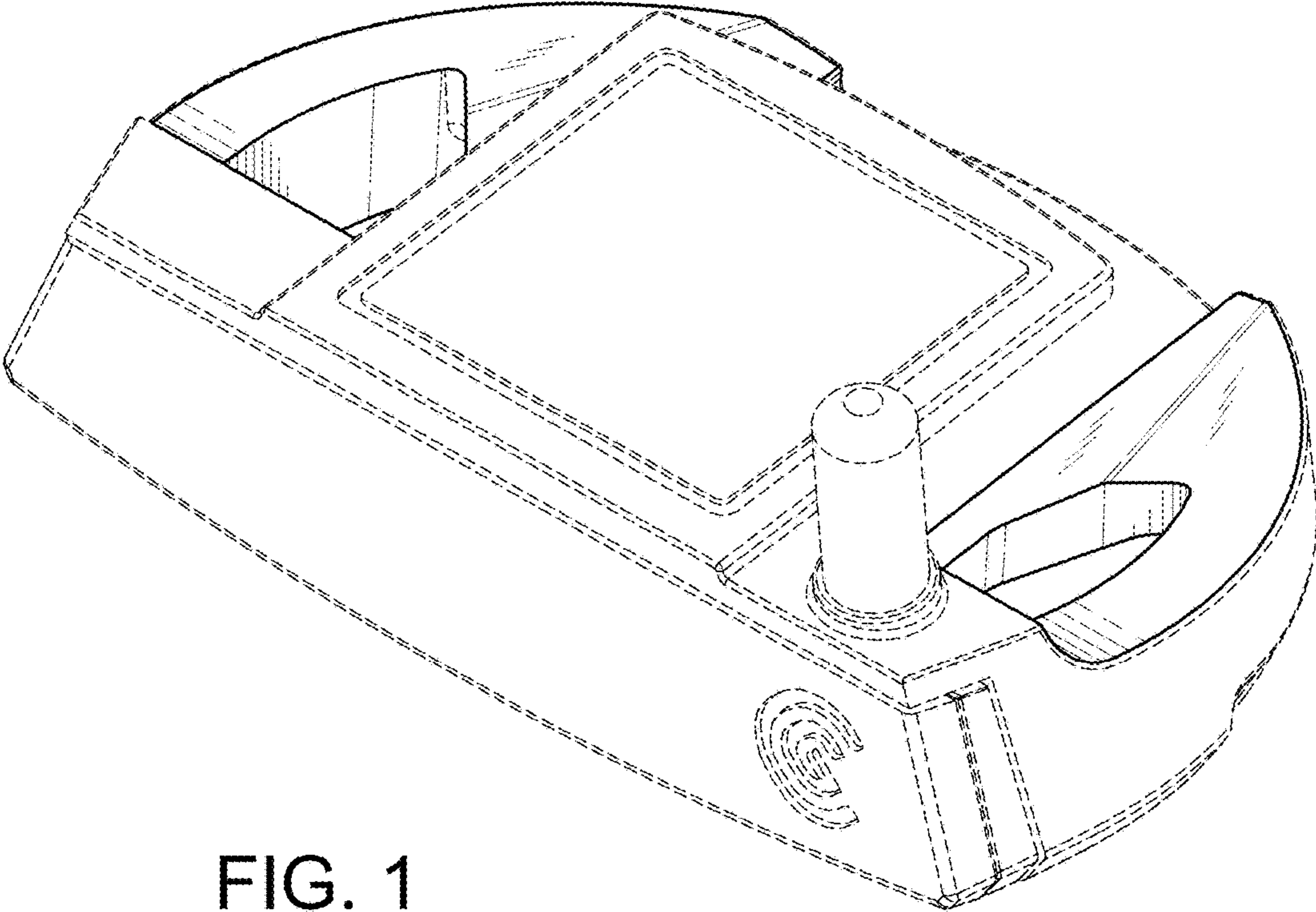


FIG. 1

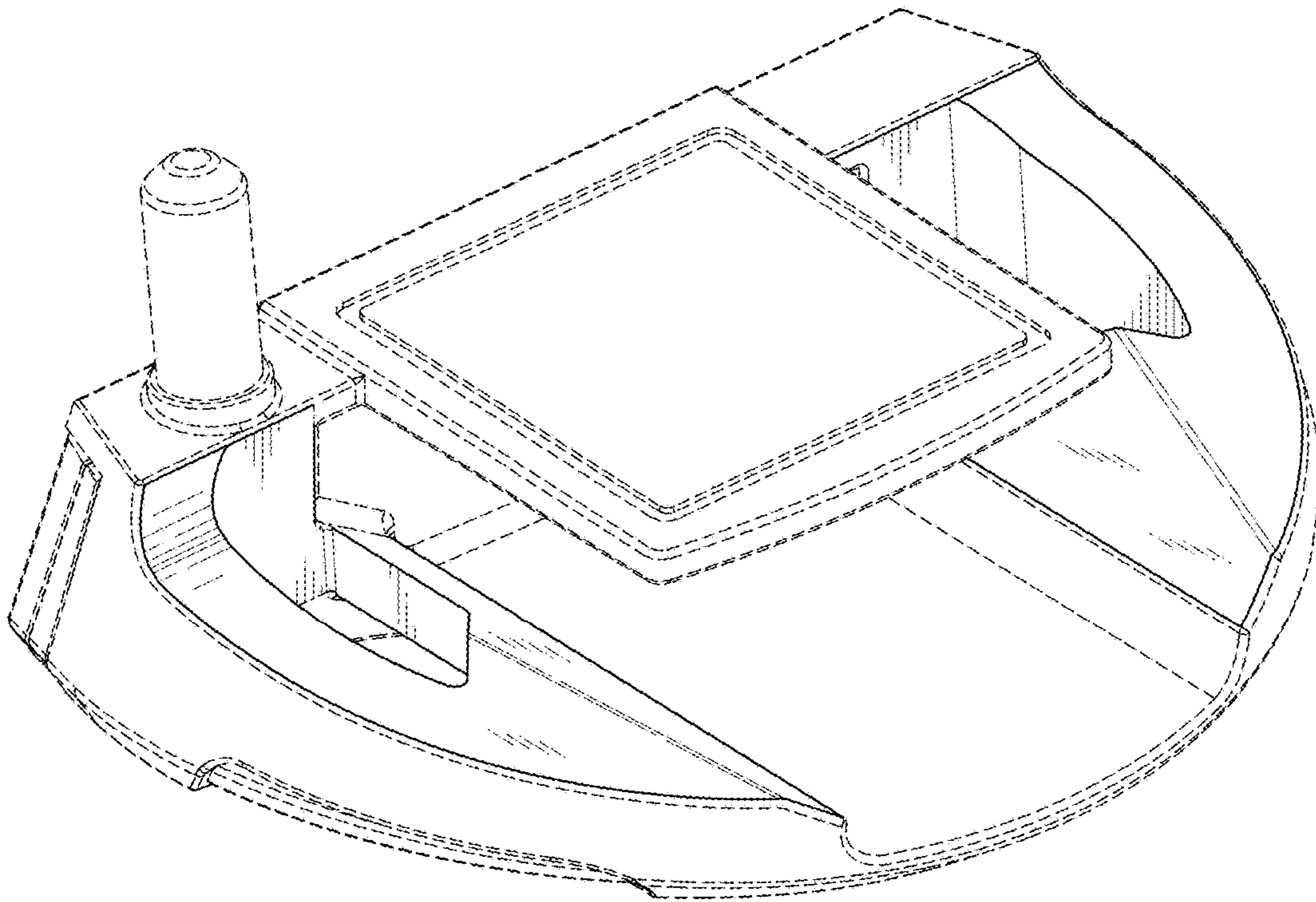


FIG. 2



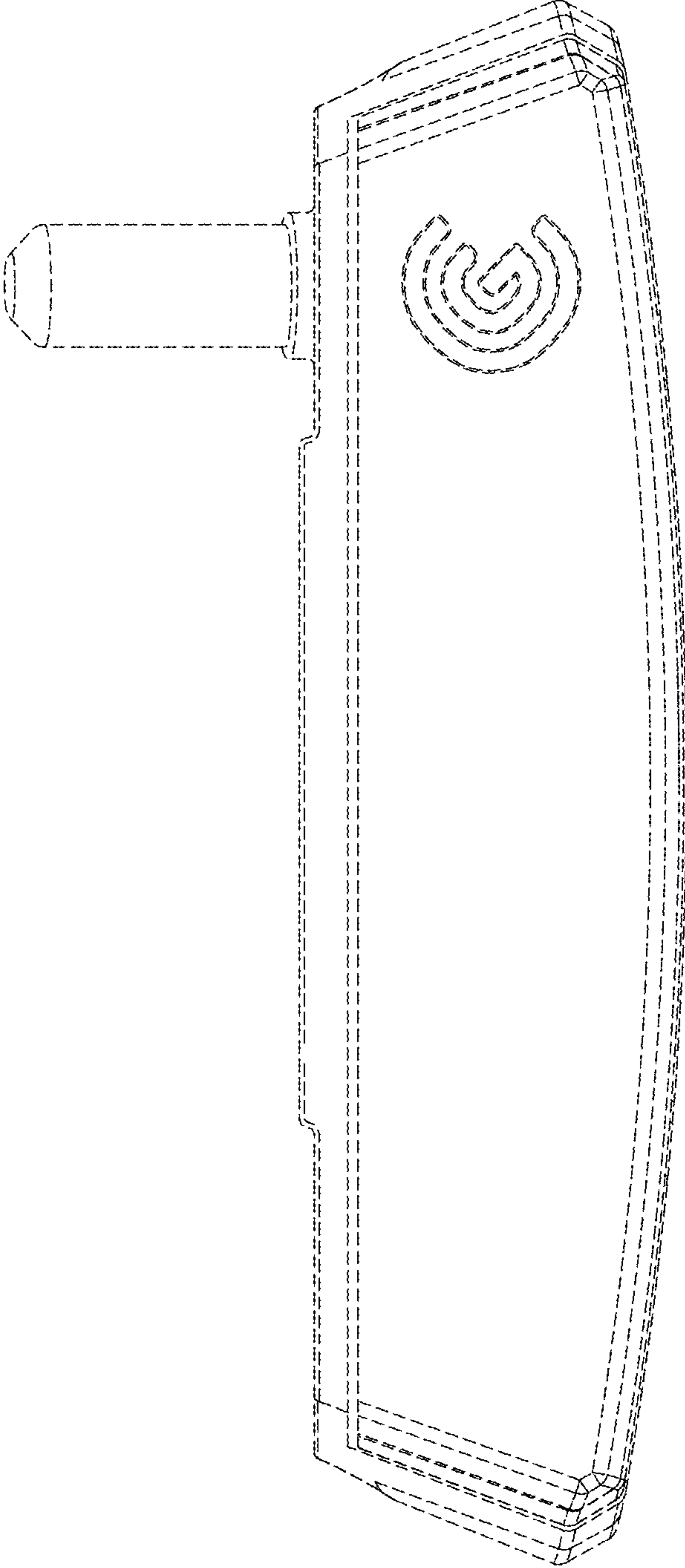


FIG. 3

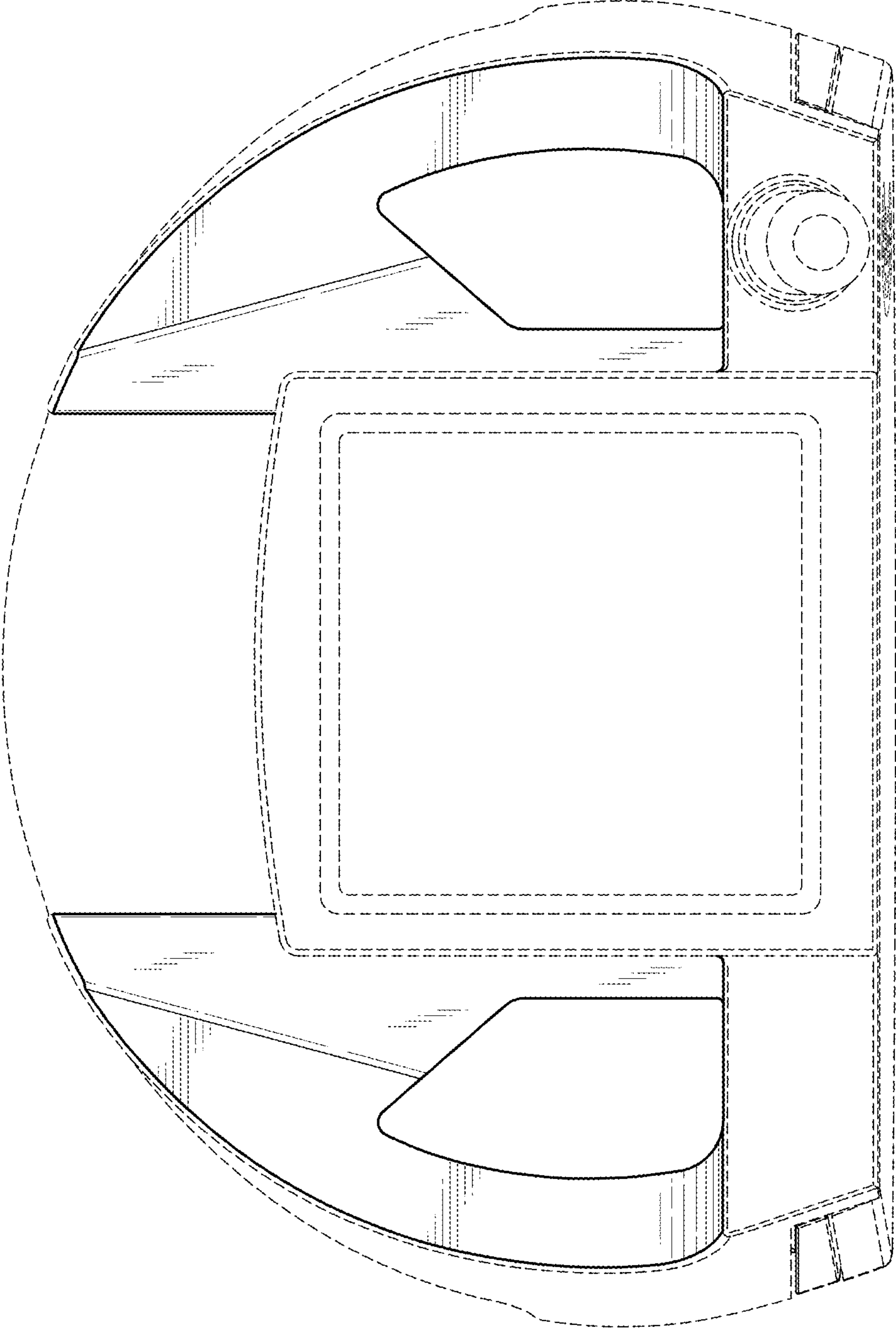


FIG. 4

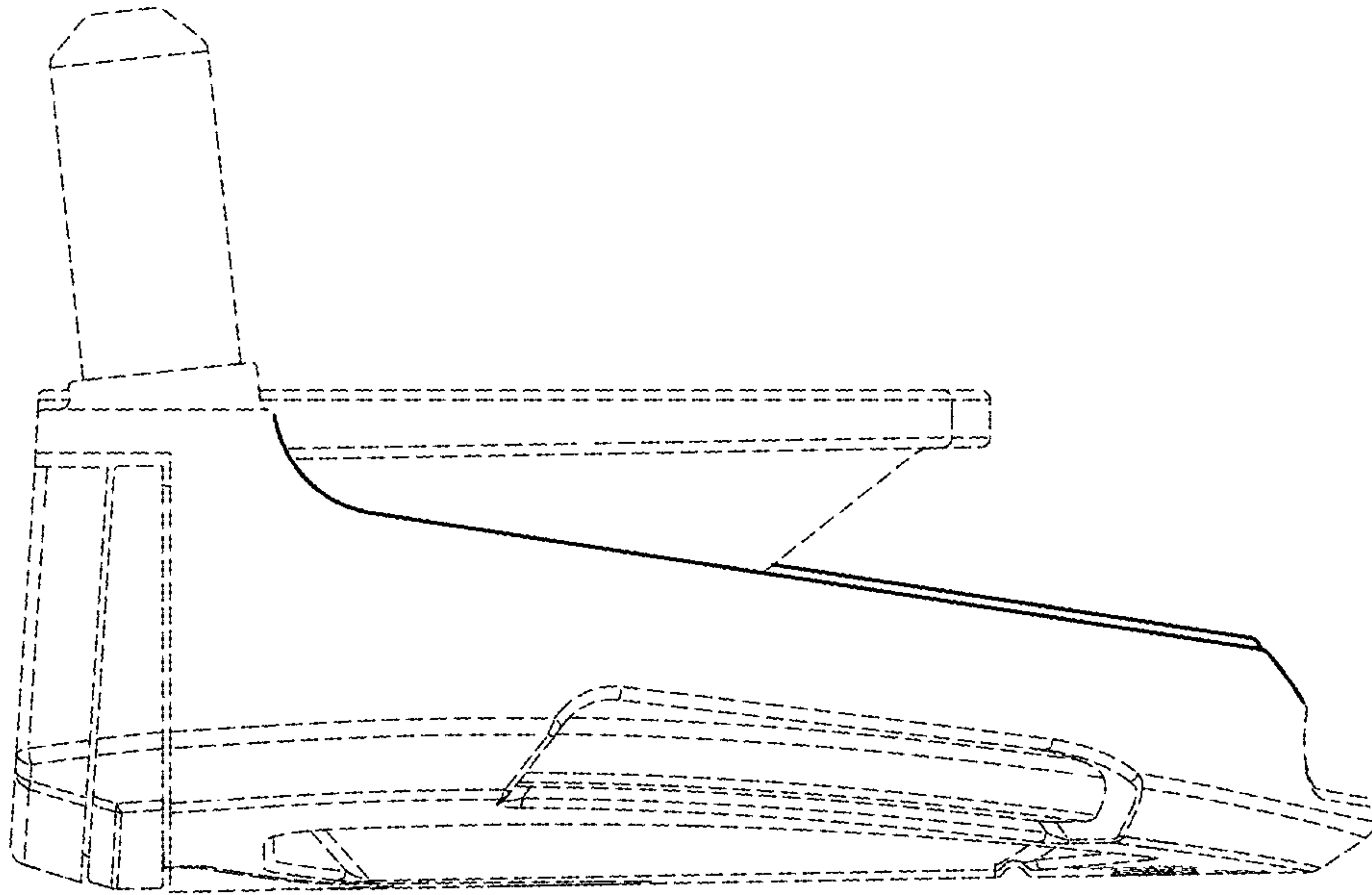


FIG. 5

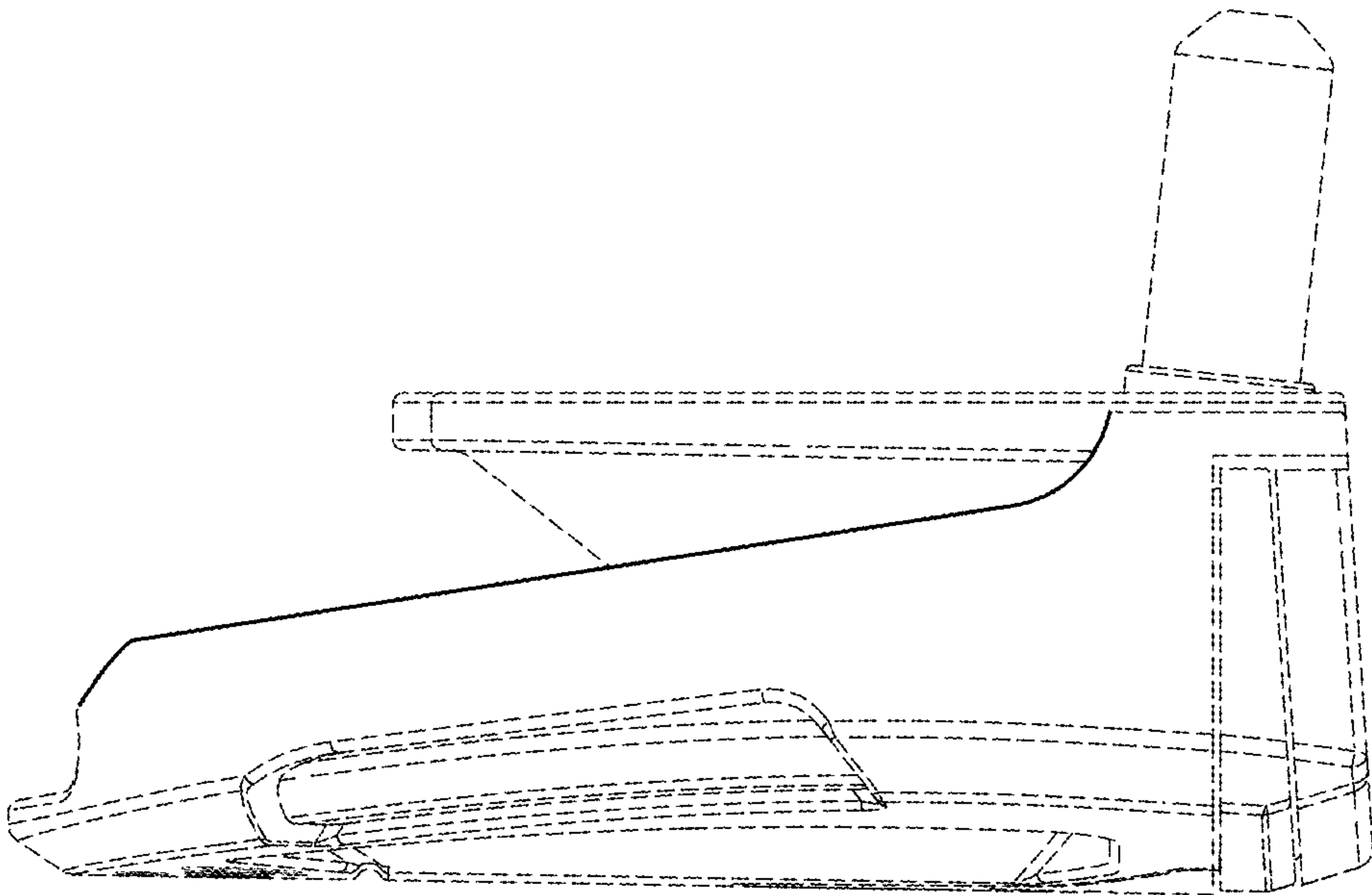


FIG. 6

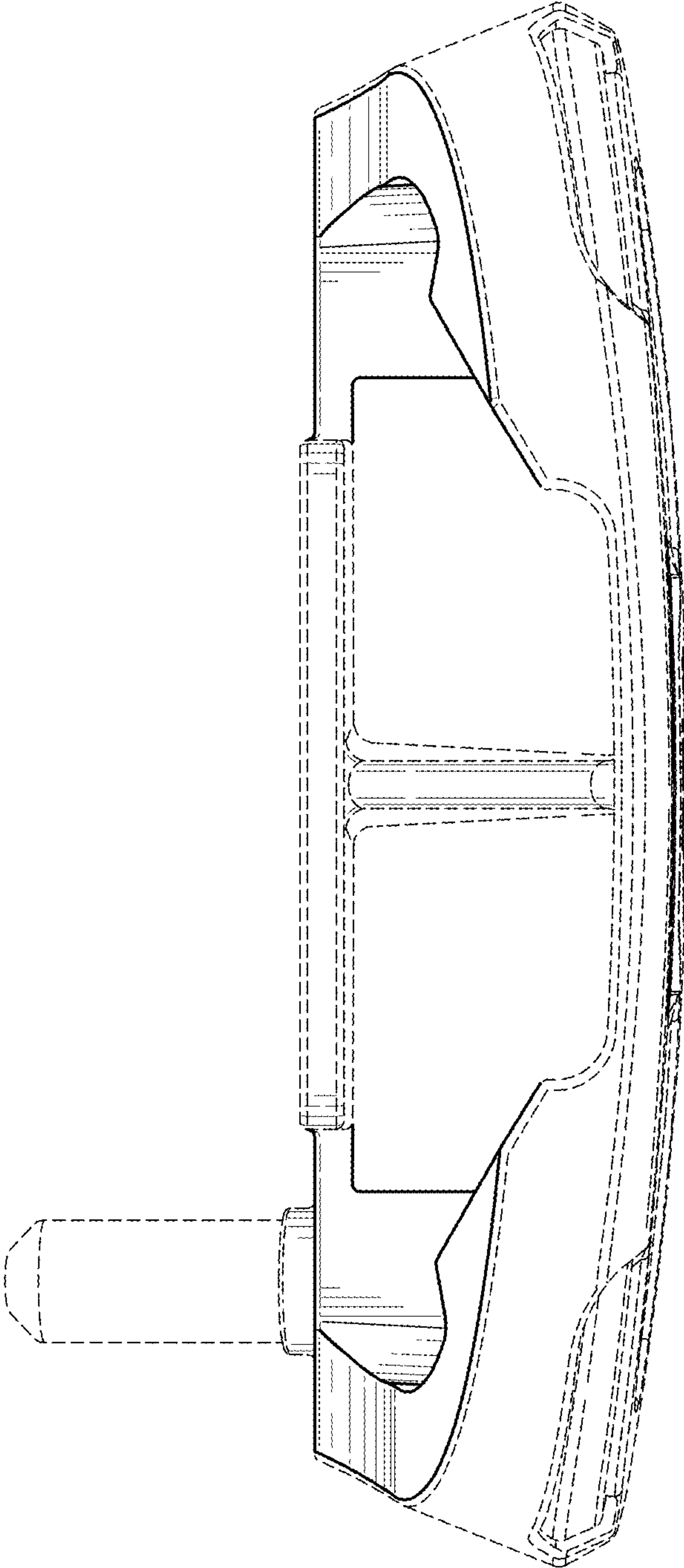


FIG. 7



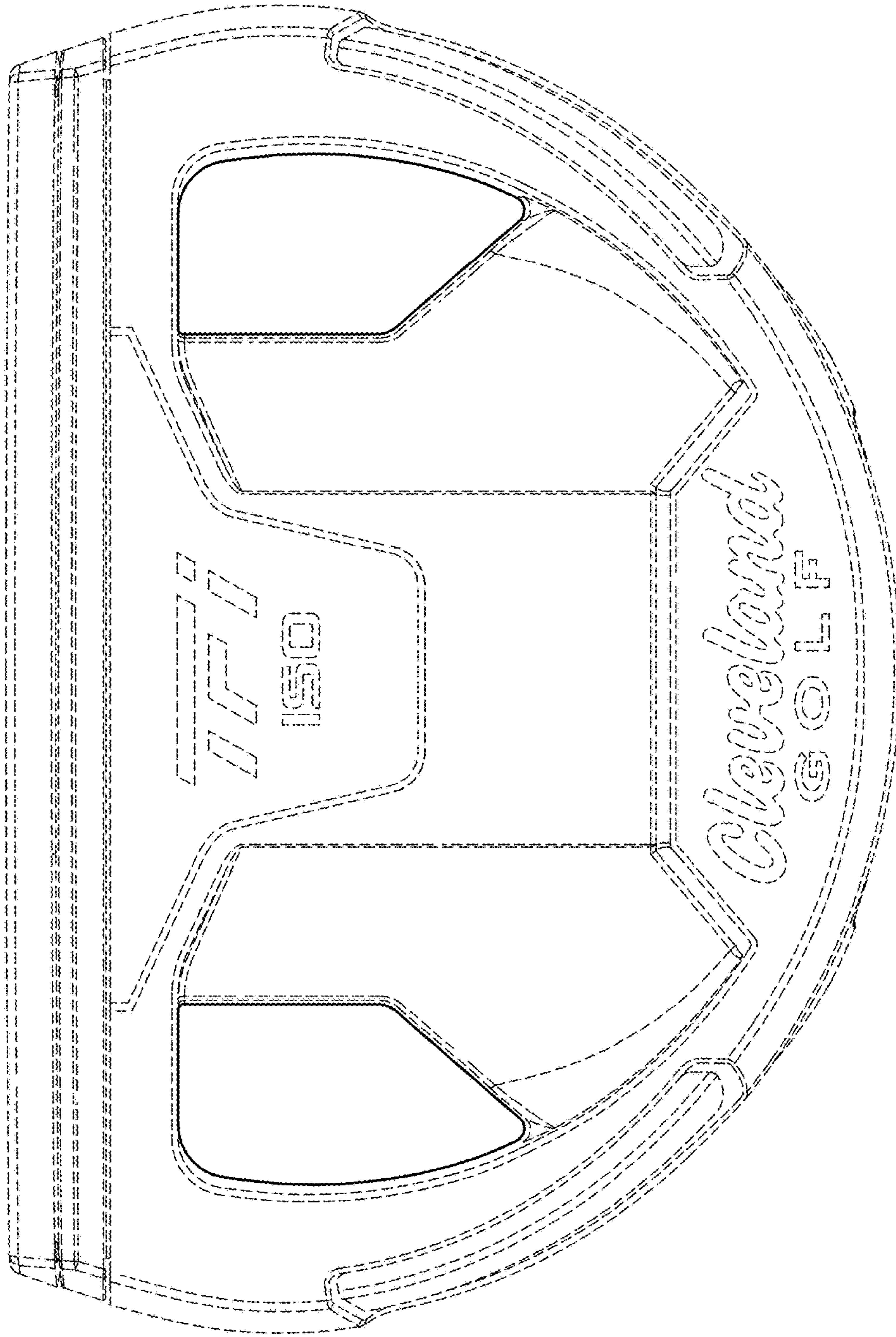


FIG. 8