



US00D776211S

(12) **United States Design Patent**
Gebhard et al.

(10) **Patent No.:** **US D776,211 S**
(45) **Date of Patent:** **** Jan. 10, 2017**

- (54) **FOOT EXERCISE DEVICE**
- (71) Applicants: **Albert W. Gebhard**, Denver, CO (US);
Chih Hung Hsi, Taipei (TW); **Jung Tsan Hsu**, Chang Hua (TW)
- (72) Inventors: **Albert W. Gebhard**, Denver, CO (US);
Chih Hung Hsi, Taipei (TW); **Jung Tsan Hsu**, Chang Hua (TW)
- (**) Term: **15 Years**
- (21) Appl. No.: **29/544,059**
- (22) Filed: **Oct. 30, 2015**
- (51) **LOC (10) Cl.** **21-02**
- (52) **U.S. Cl.**
USPC **D21/685**
- (58) **Field of Classification Search**
USPC 482/142, 53, 79, 132, 147, 908, 49, 123,
482/129, 128, 127, 138, 112, 80, 146,
482/130, 118, 34, 126, 51; 601/32, 105,
601/148, 152, 27, 29, 46; D21/688, 668,
670, 697, 694, 685, 673, D21/671;
188/83; D24/188, 212, 215; D6/349,
D6/351
CPC . A63B 23/08; A63B 21/0552; A63B 21/4015;
A63B 21/0442; A63B 21/0557; A63B
2208/0204
See application file for complete search history.

- 5,897,464 A * 4/1999 Mcleod A63B 23/08
482/132
- D420,407 S * 2/2000 Garcia D21/688
- D499,456 S * 12/2004 Hsu D21/668
- 7,300,387 B2 * 11/2007 Wang A63B 22/001
482/52
- D627,892 S * 11/2010 Terrio D24/188
- D712,044 S * 8/2014 Mathew D24/188
- 8,864,633 B1 * 10/2014 Butler A63B 23/0405
482/128
- D726,844 S * 4/2015 Mathew D21/685
- 9,162,106 B1 * 10/2015 Scheiman A63B 23/08
- 2004/0171971 A1 * 9/2004 Ravikumar A61H 1/0266
601/32
- 2005/0137065 A1 * 6/2005 Zoller A63B 23/08
482/117

(Continued)

Primary Examiner — Robert M Spear
Assistant Examiner — Ryan Harvey
(74) *Attorney, Agent, or Firm* — Polson Intellectual
Property Law, PC; Margaret Polson

(57) **CLAIM**

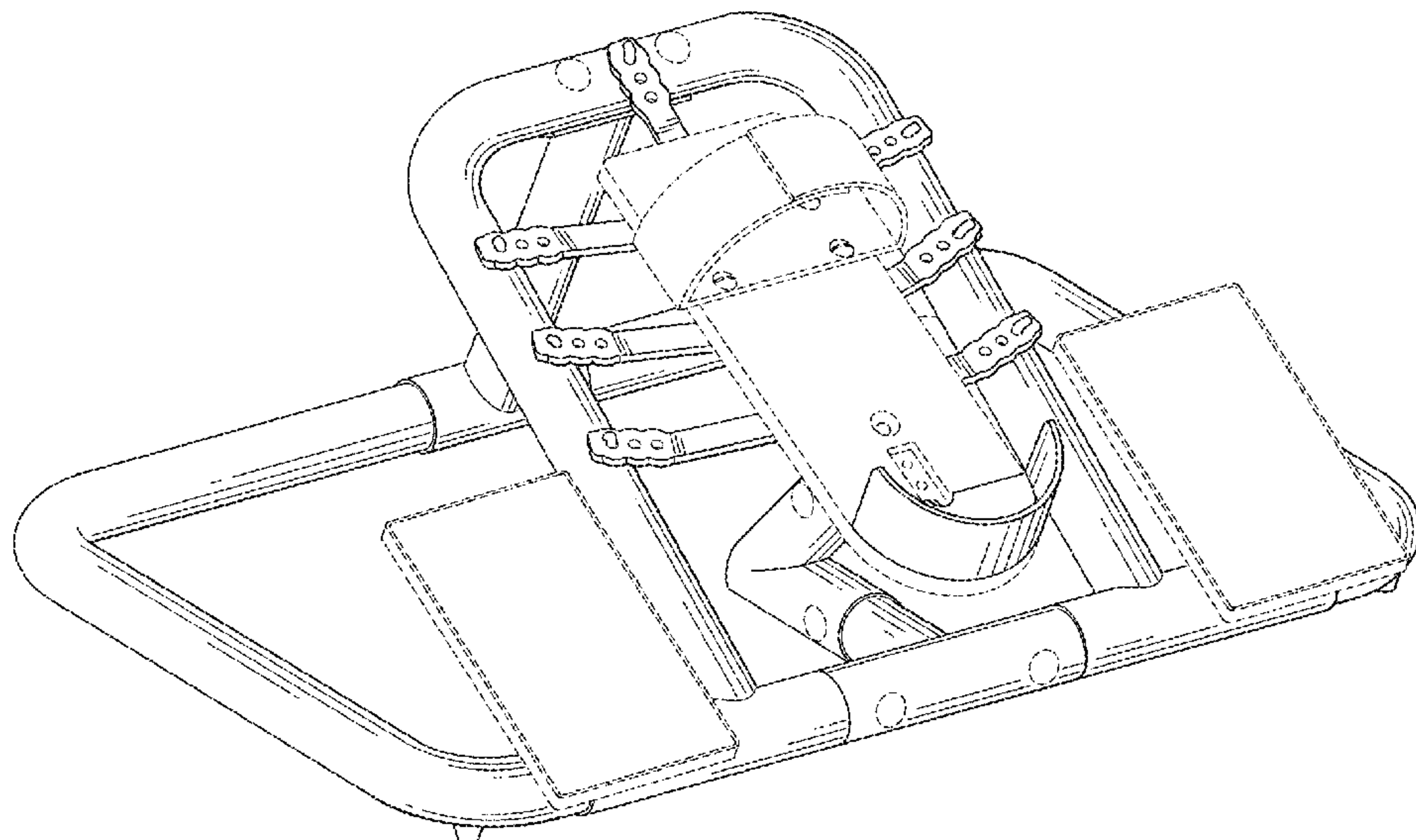
The ornamental design for a foot exercise device, as shown and described.

DESCRIPTION

FIG. 1 is a top perspective view of a foot exercise device; FIG. 2 is a left side elevation view of FIG. 1, the right side being a mirror image thereof. FIG. 3 is a top plan view of FIG. 1. FIG. 4 bottom plan view of FIG. 1. FIG. 5 is a front side elevation view of FIG. 1. FIG. 6 is a back side elevation view of FIG. 1. FIG. 7 top isometric view of the foot exercise device folded in a storage position, it being understood that all other surfaces are the same as those of FIG. 1; and, FIG. 8 is a left side elevation view of FIG. 7. The broken line showing of portions of the foot exercise device depicts environment and forms no part of the claim.

1 Claim, 5 Drawing Sheets

- (56) **References Cited**
U.S. PATENT DOCUMENTS
4,501,421 A * 2/1985 Kane A63B 23/085
482/118
4,759,542 A * 7/1988 Hudec A63B 22/16
482/146
5,413,543 A * 5/1995 Drago A63B 23/16
482/123
5,755,651 A * 5/1998 Homyonfer A63B 22/16
482/123



(56)

References Cited

U.S. PATENT DOCUMENTS

2008/0269026 A1* 10/2008 Tsadok A61H 1/0266
482/79
2009/0082704 A1* 3/2009 Nov A61H 1/005
601/27

* cited by examiner

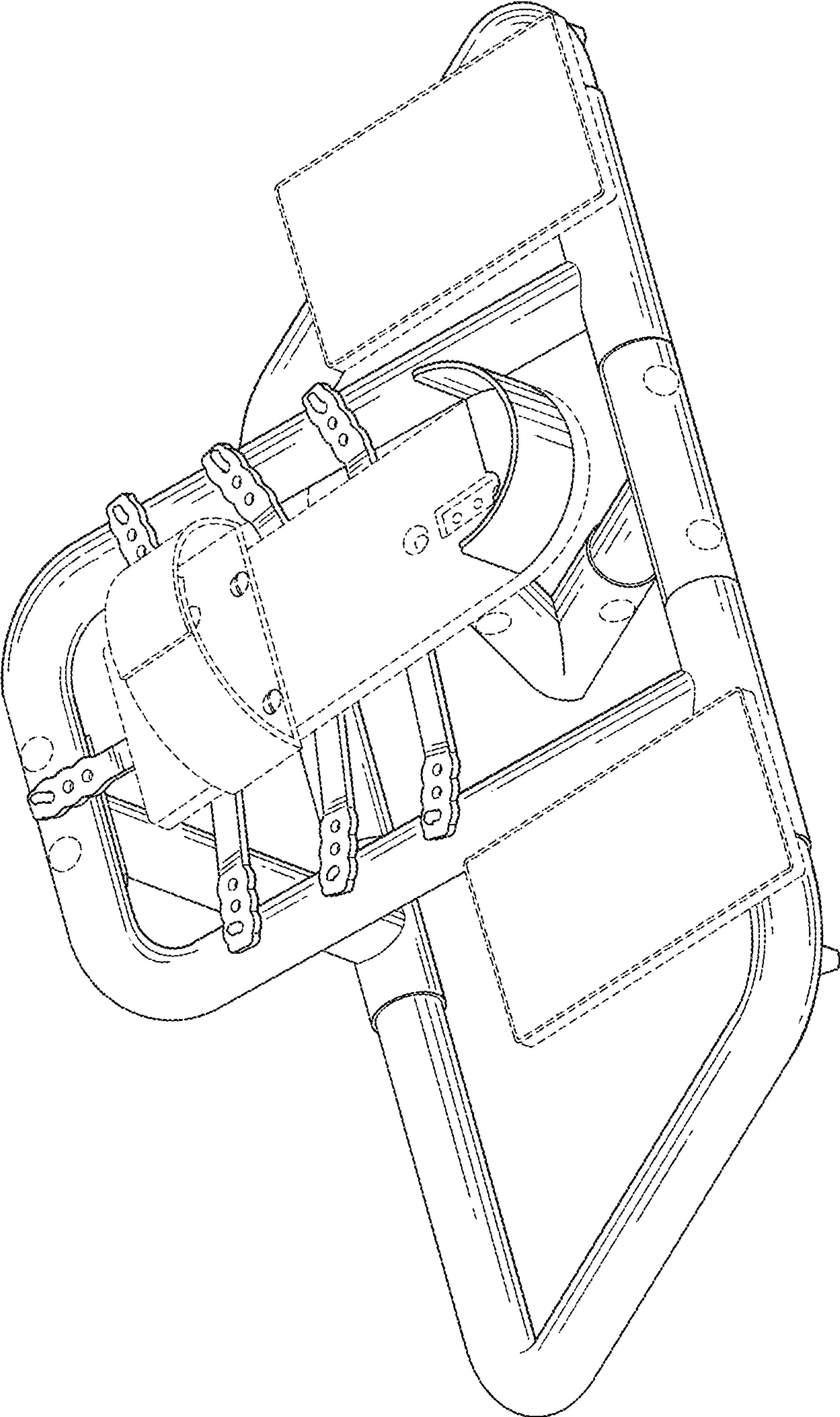


FIG.1

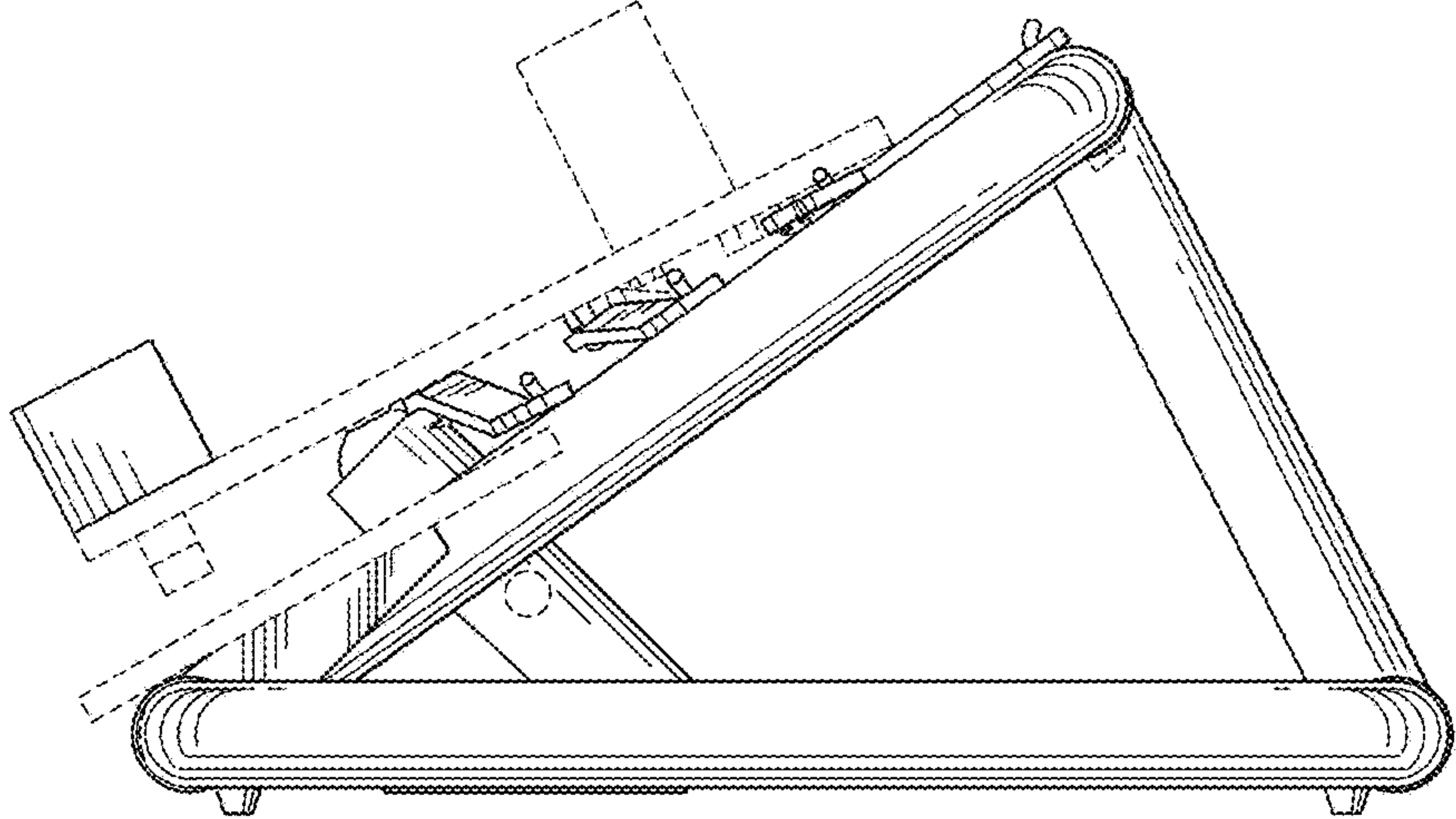


FIG. 2

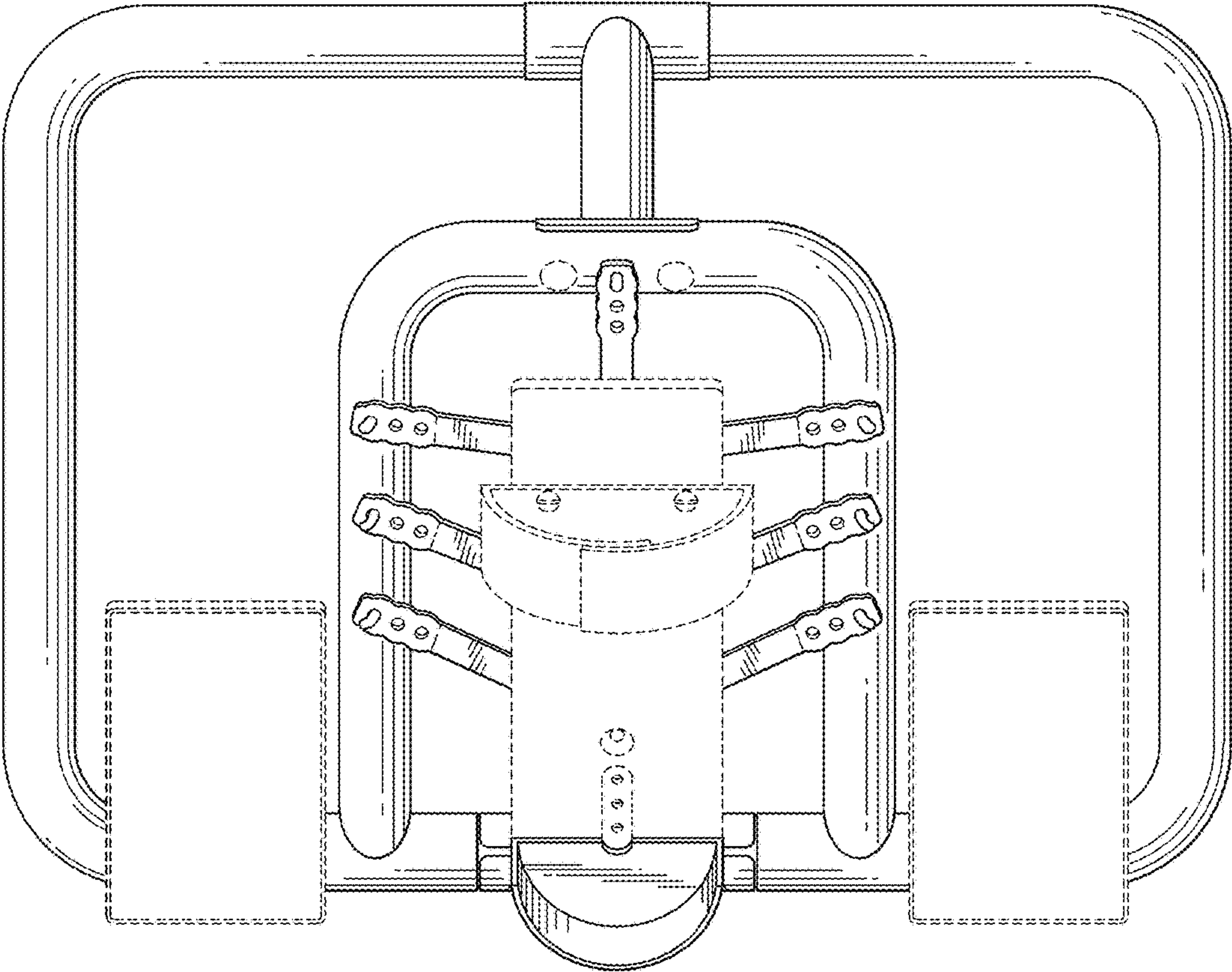


FIG. 3

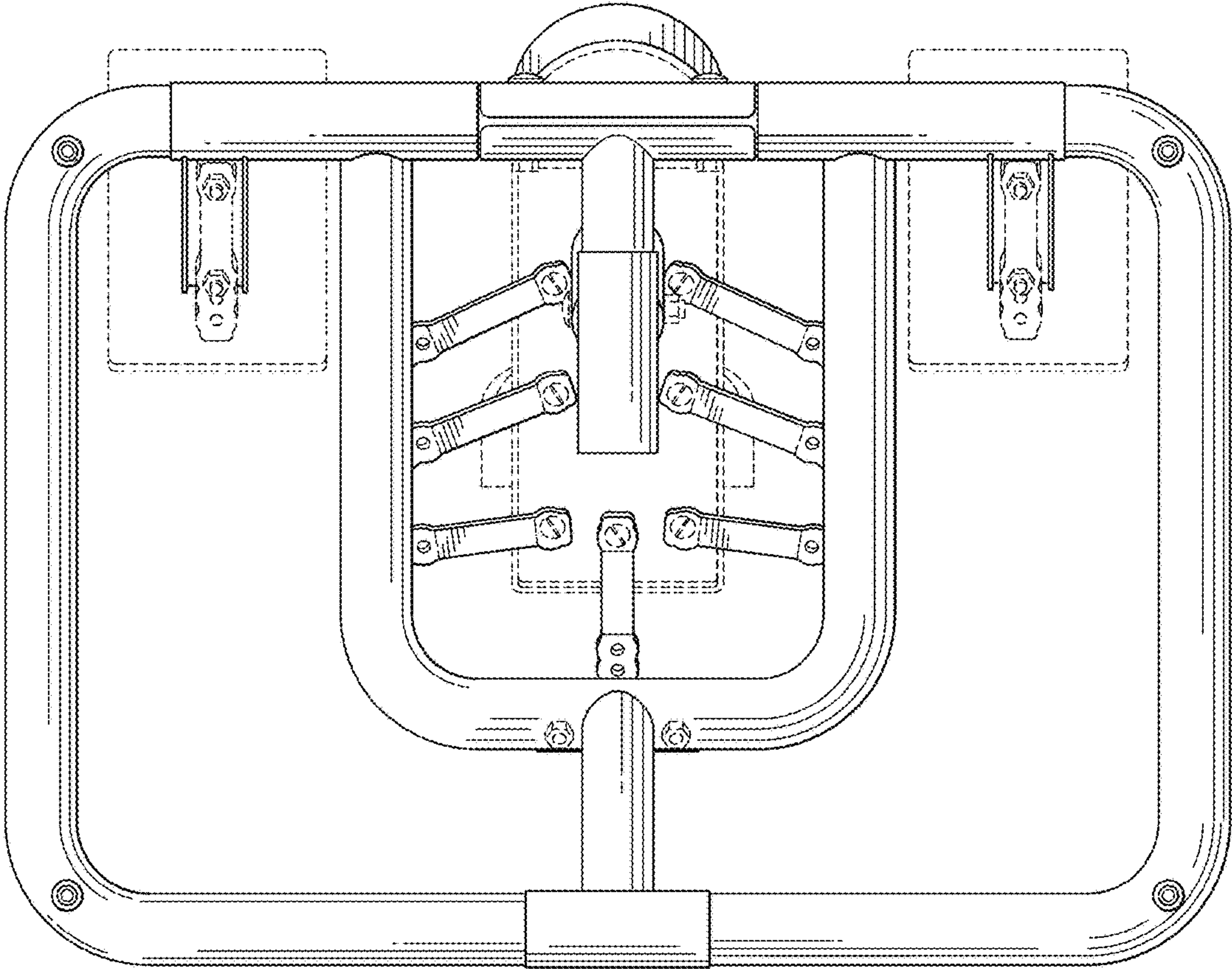


FIG.4

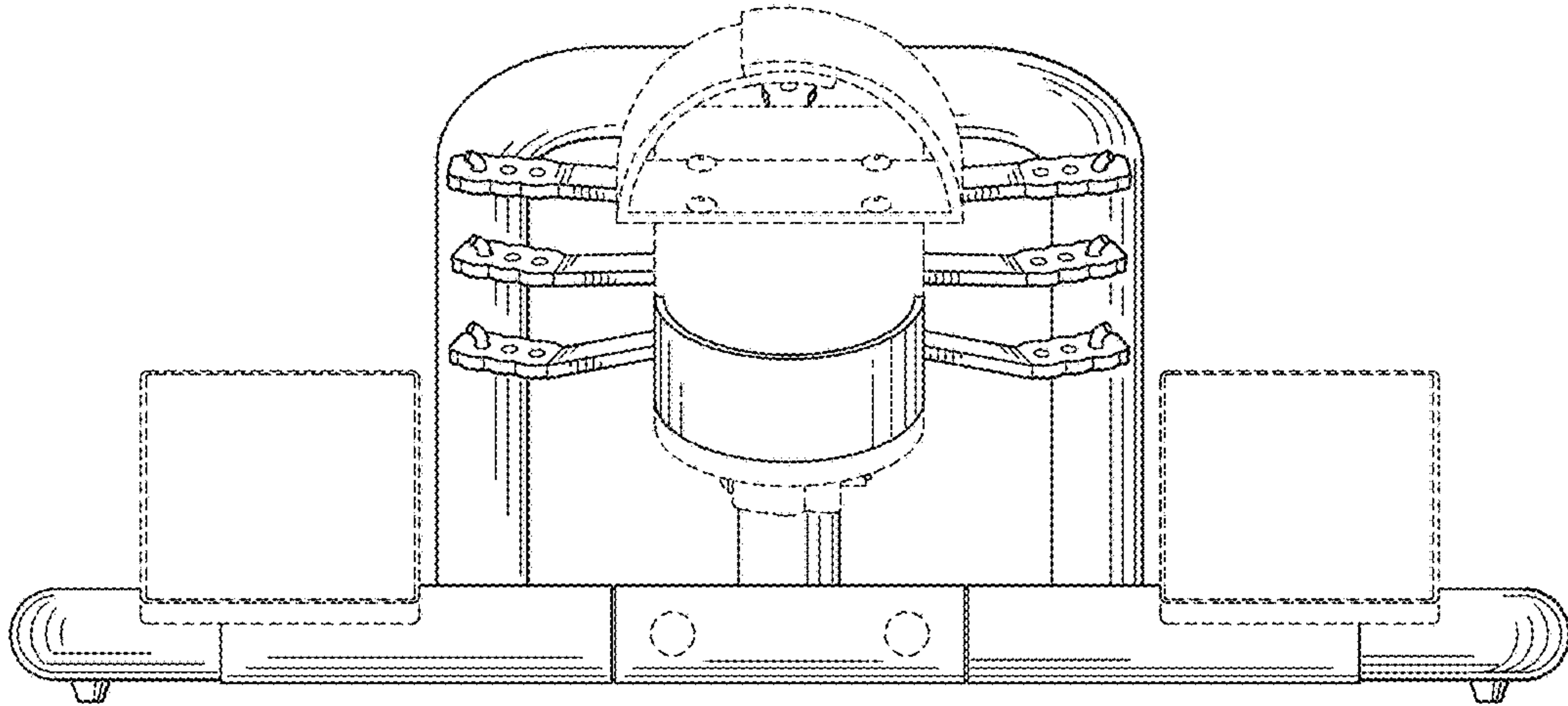


FIG. 5

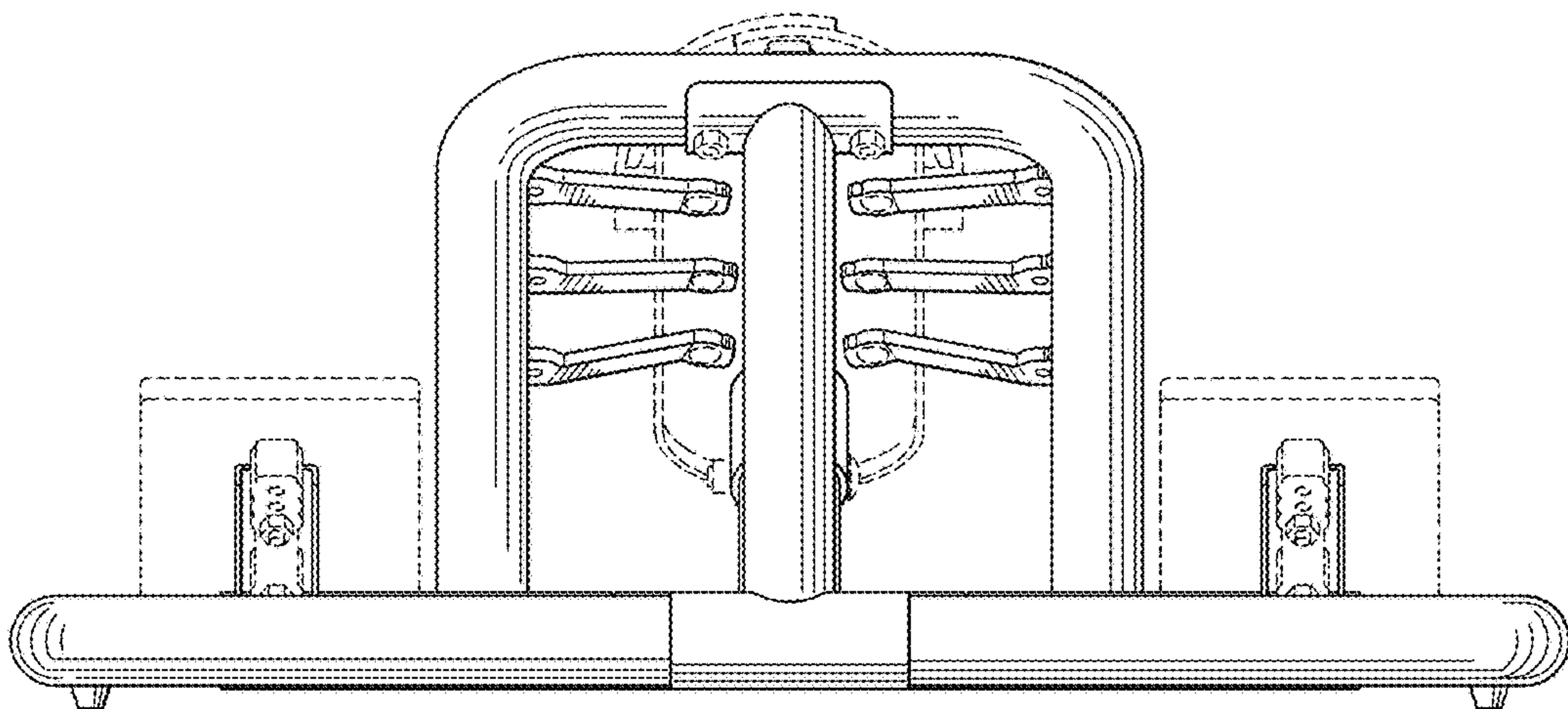


FIG. 6

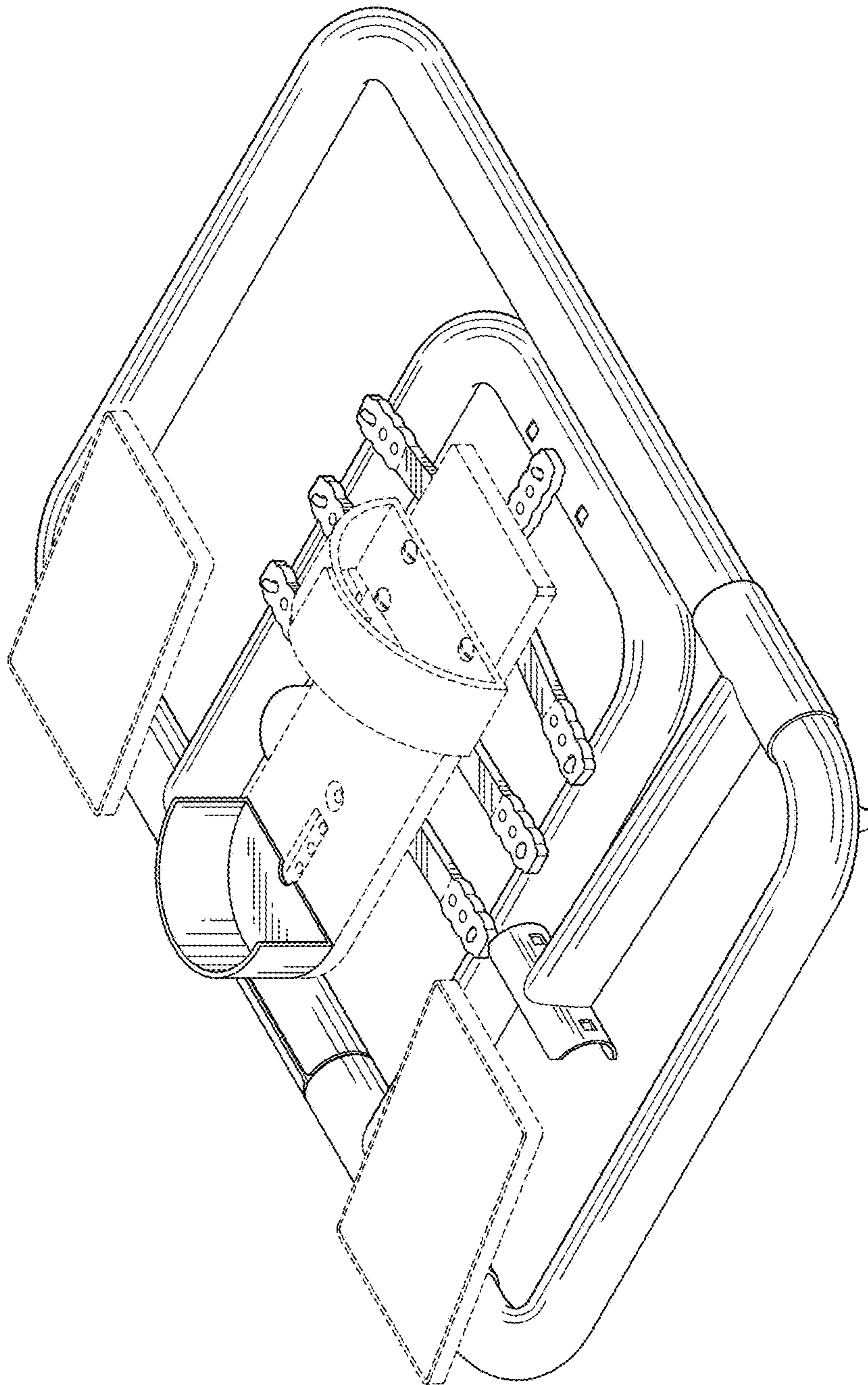


FIG.7

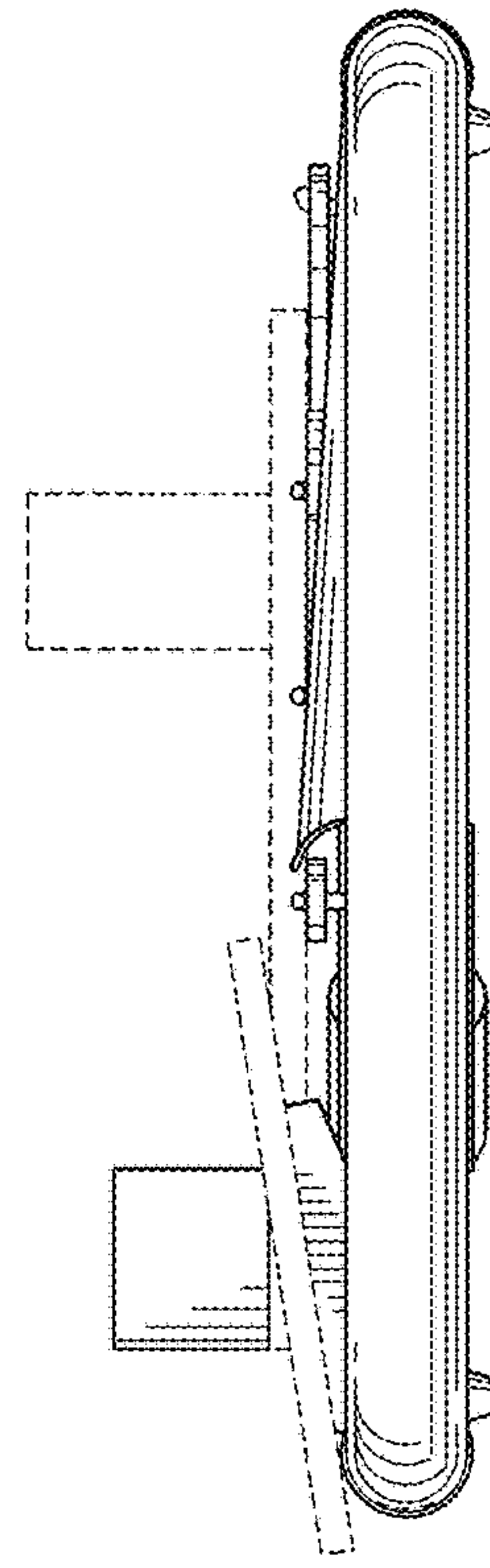


FIG.8