

US00D776209S

(12) **United States Design Patent**
Gilbert

(10) **Patent No.:** **US D776,209 S**
(45) **Date of Patent:** **** Jan. 10, 2017**

- (54) **FITNESS WEIGHT DESTABILIZER**
- (71) Applicant: **Herman Gilbert**, Hammond, WI (US)
- (72) Inventor: **Herman Gilbert**, Hammond, WI (US)
- (**) Term: **15 Years**
- (21) Appl. No.: **29/558,793**
- (22) Filed: **Mar. 22, 2016**

- D320,249 S * 9/1991 Gerard D21/682
- D320,636 S * 10/1991 Eckler D21/680
- 5,725,461 A * 3/1998 Bogard, II A63B 21/4005
482/106
- 6,004,245 A * 12/1999 Boos A63B 21/072
482/106
- 6,679,815 B2 * 1/2004 Vittone A63B 21/06
482/106
- D685,865 S * 7/2013 Kuhn D21/679
- D754,804 S * 4/2016 Gilbert D21/694
- 2003/0181295 A1 * 9/2003 Hanson, III A63B 21/4009
482/92

Related U.S. Application Data

- (62) Division of application No. 29/510,259, filed on Nov. 26, 2014, now Pat. No. Des. 754,804.
- (51) **LOC (10) Cl.** **21-02**
- (52) **U.S. Cl.**
USPC **D21/683**
- (58) **Field of Classification Search**
USPC D21/681, 680, 682, 694, 679; 482/106,
482/93, 78, 98, 139, 105, 92
CPC A63B 21/0724; A63B 21/0728; A63B
21/4035; A63B 21/072; A63B 21/4017
See application file for complete search history.

* cited by examiner

Primary Examiner — Robert M Spear
Assistant Examiner — Ryan Harvey
(74) *Attorney, Agent, or Firm* — Skinner and Associates;
Joel Skinner

(57) **CLAIM**

The ornamental design for a fitness weight destabilizer, as shown and described.

DESCRIPTION

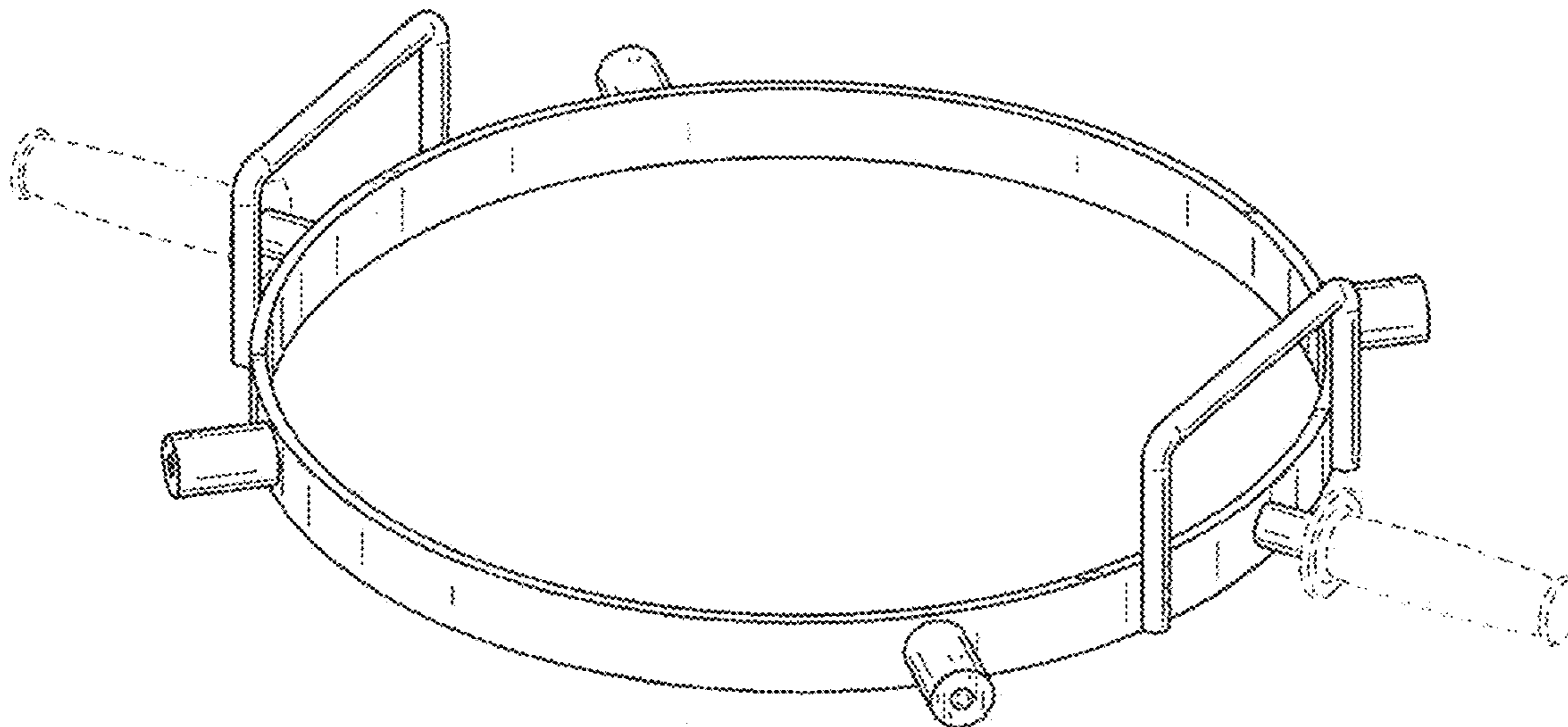
FIG. 1 is a perspective view of the design;
FIG. 2 is a right end view thereof, the left end view being a mirror image thereof;
FIG. 3 is a front view thereof, the rear view being a mirror image thereof;
FIG. 4 is a top view thereof; and,
FIG. 5 is a bottom view thereof.
The broken line showing of portions of the fitness weight destabilizer depicts environment and forms no part of the claim.

(56) **References Cited**

U.S. PATENT DOCUMENTS

- 2,722,419 A * 11/1955 Tarapczynski A63B 21/0724
482/106
- 3,322,425 A * 5/1967 Moore A63B 21/072
482/105
- 4,018,442 A * 4/1977 Galler A63B 21/0724
482/106
- D261,788 S * 11/1981 Burns D21/682
- D317,641 S * 6/1991 Gerard D21/682

1 Claim, 4 Drawing Sheets



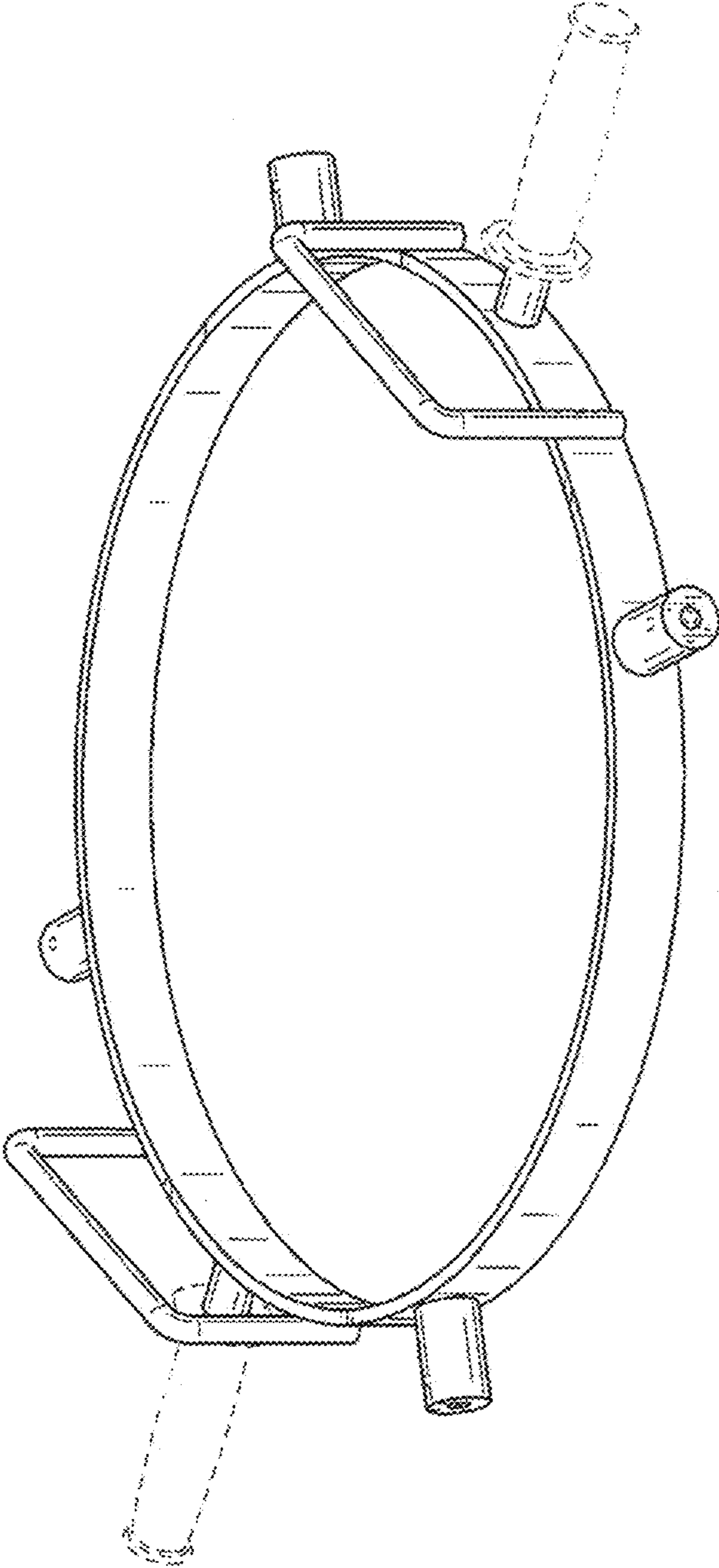


FIG. 1

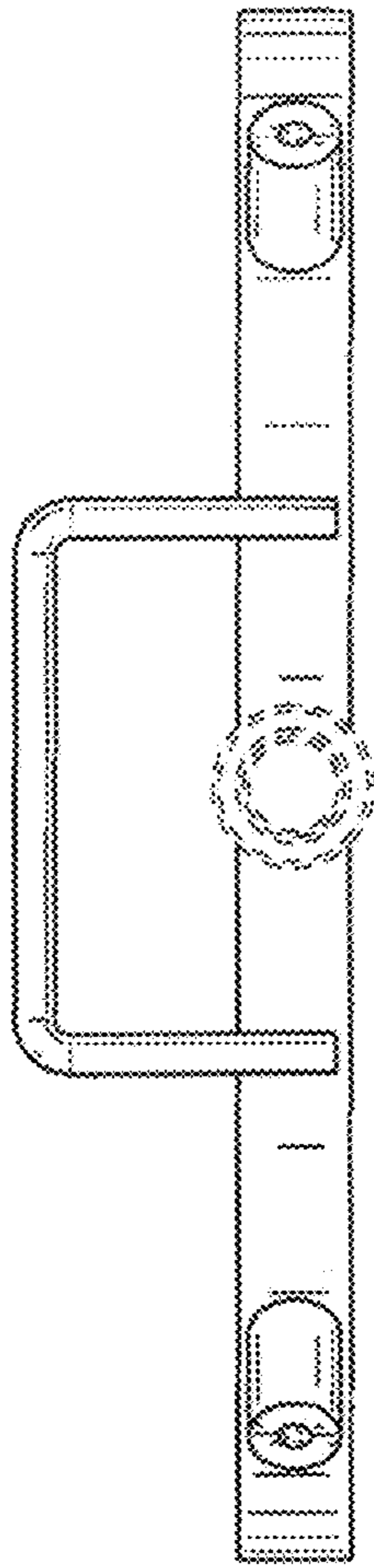


FIG. 2

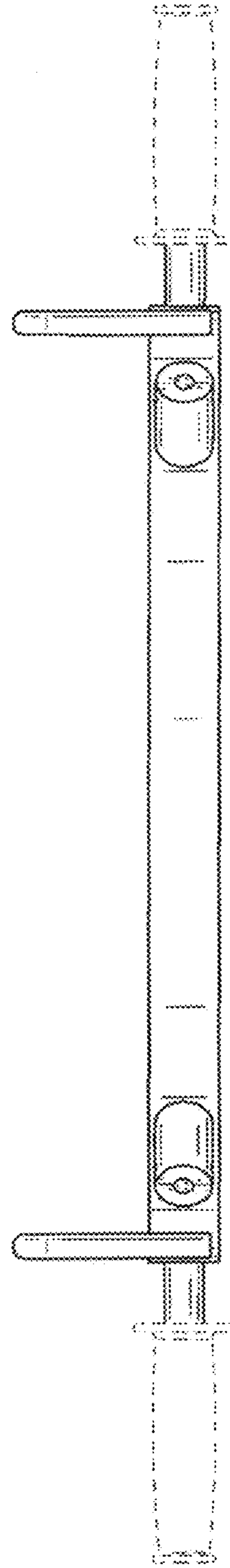


FIG. 3

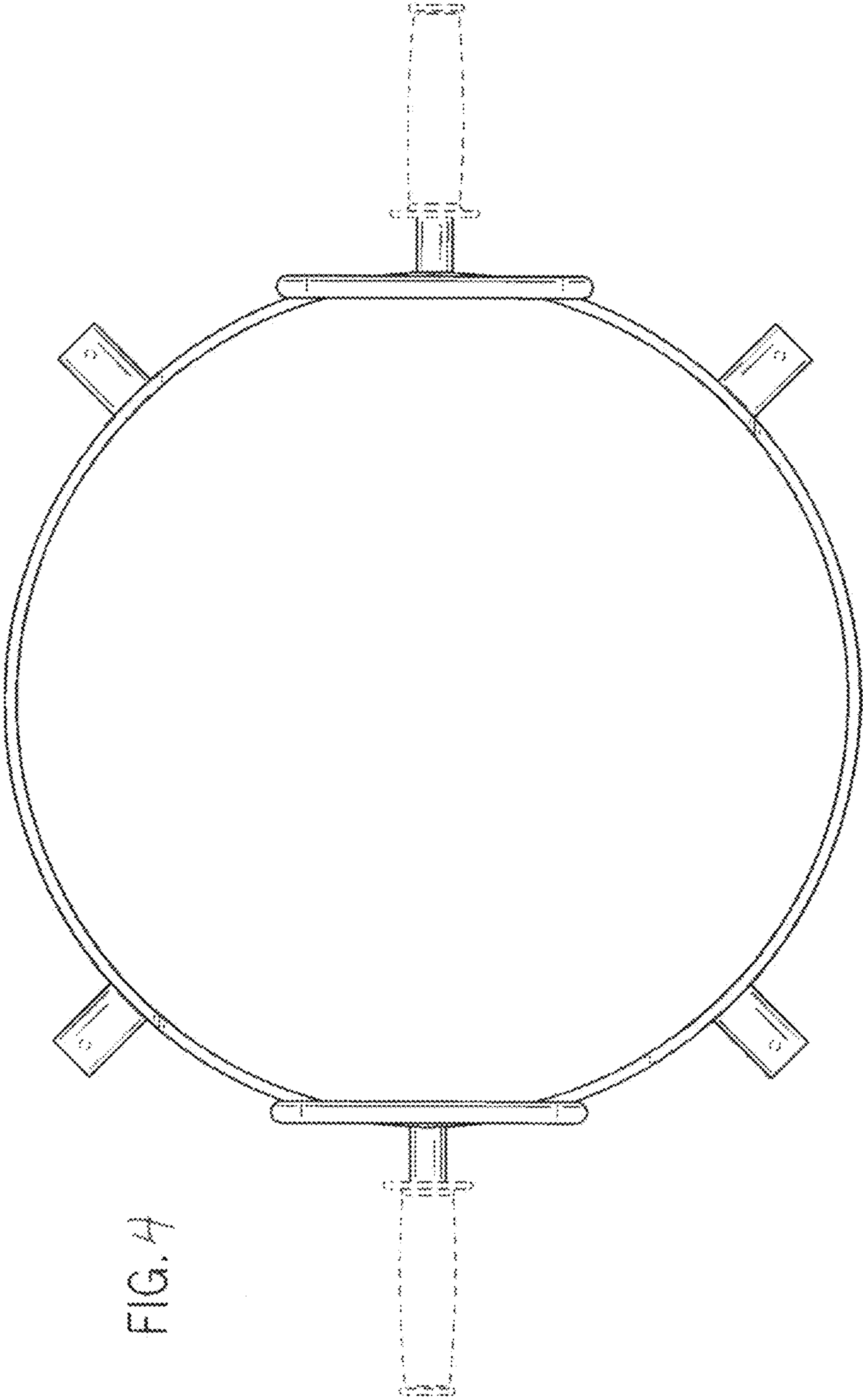


FIG. 4

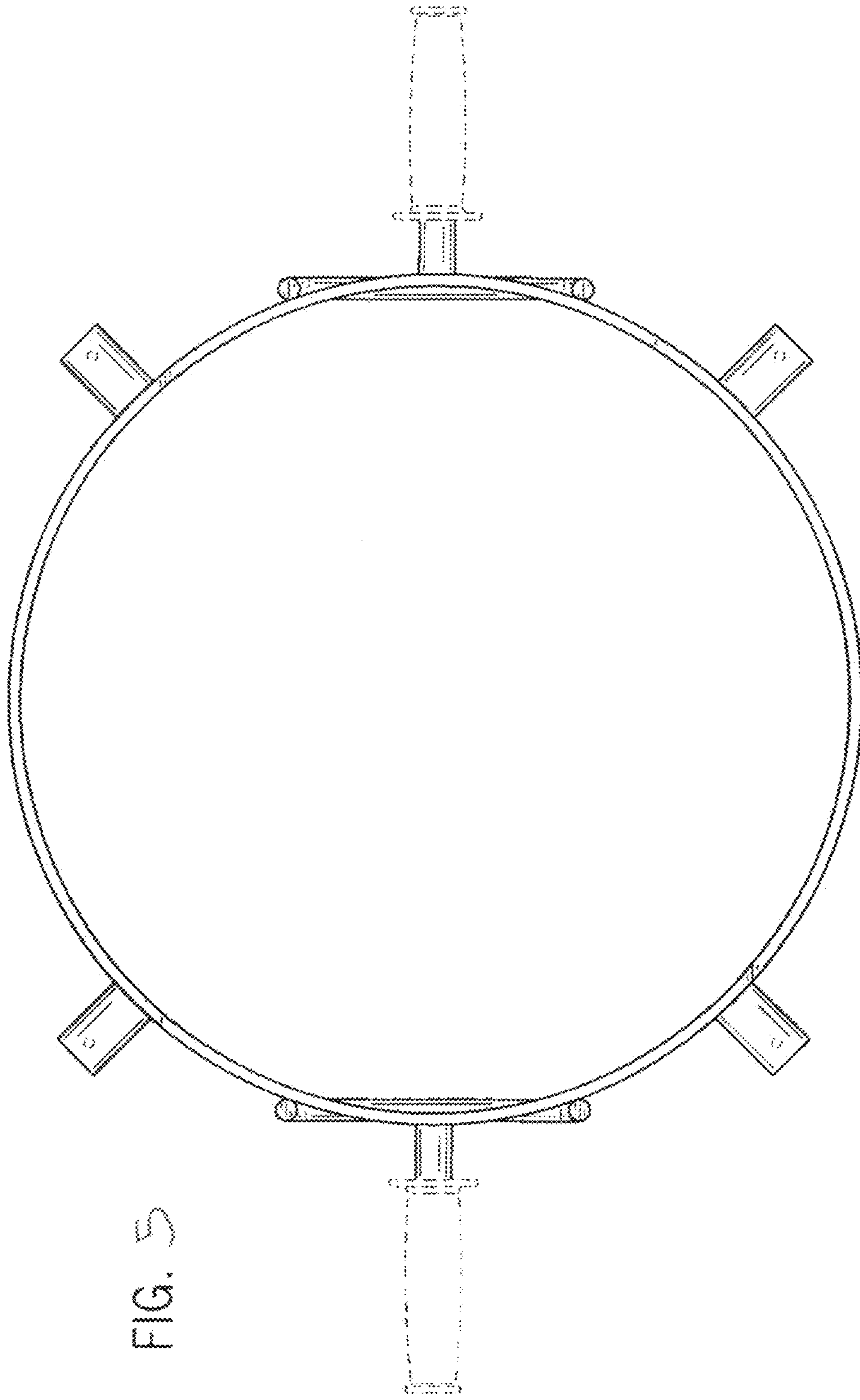


FIG. 5