



US00D776205S

(12) **United States Design Patent**
Facey et al.

(10) **Patent No.:** **US D776,205 S**
(45) **Date of Patent:** **** Jan. 10, 2017**

(54) **COMBINED BUILDING BLOCK AND CONTAINER**

(71) Applicant: **Bon Bon Buddies Limited**, Blackwood (GB)

(72) Inventors: **Christopher Facey**, Cardiff (GB);
Louise Purcell, Cardiff (GB)

(73) Assignee: **BON BON BUDDIES LIMITED**, Blackwood (GB)

(**) Term: **14 Years**

(21) Appl. No.: **29/524,108**

(22) Filed: **Apr. 16, 2015**

(30) **Foreign Application Priority Data**

Oct. 16, 2014 (EM) 002558346-0001
Oct. 16, 2014 (EM) 002558346-0002
Oct. 16, 2014 (EM) 002558346-0003

(51) **LOC (10) Cl.** **21-01**

(52) **U.S. Cl.**
USPC **D21/499**

(58) **Field of Classification Search**
USPC D21/333, 373, 386, 389, 404, 468, 470,
D21/471, 475, 484-505; 446/69, 85,
446/102-128; 434/167, 208, 259, 403;
273/153, 156, 160; D3/304, 314;
D24/101; D9/640; 220/23.4; 40/720
(Continued)

(56) **References Cited**

U.S. PATENT DOCUMENTS

D301,260 S * 5/1989 McLaughlin D21/500
5,310,071 A * 5/1994 Rivlin B65D 81/361
206/509

(Continued)

FOREIGN PATENT DOCUMENTS

GB 1049484 A 11/1966
WO 99/43574 A1 9/1999

Primary Examiner — Cynthia M Chin

(74) *Attorney, Agent, or Firm* — Porter Wright Morris & Arthur LLP

(57) **CLAIM**

The ornamental design for a combined building block and container, as shown and described.

DESCRIPTION

FIG. 1 is a top view of a combined building block and container;

FIG. 2 is a top perspective view thereof;

FIG. 3 is a bottom perspective view thereof;

FIG. 4 is a side view thereof;

FIG. 5 is a perspective view of an opened combined building block and container of FIG. 1;

FIG. 6 is a side view of the combined building block and container of FIG. 5;

FIG. 7 is a top perspective view of two connected combined building blocks and containers of FIG. 1;

FIG. 8 is a top perspective view of an alternate connection of two combined building blocks and containers of FIG. 1;

FIG. 9 is a top view of the assembly shown in FIG. 8;

FIG. 10 is a top perspective view of an additional alternate connection of two combined building blocks and containers of FIG. 1;

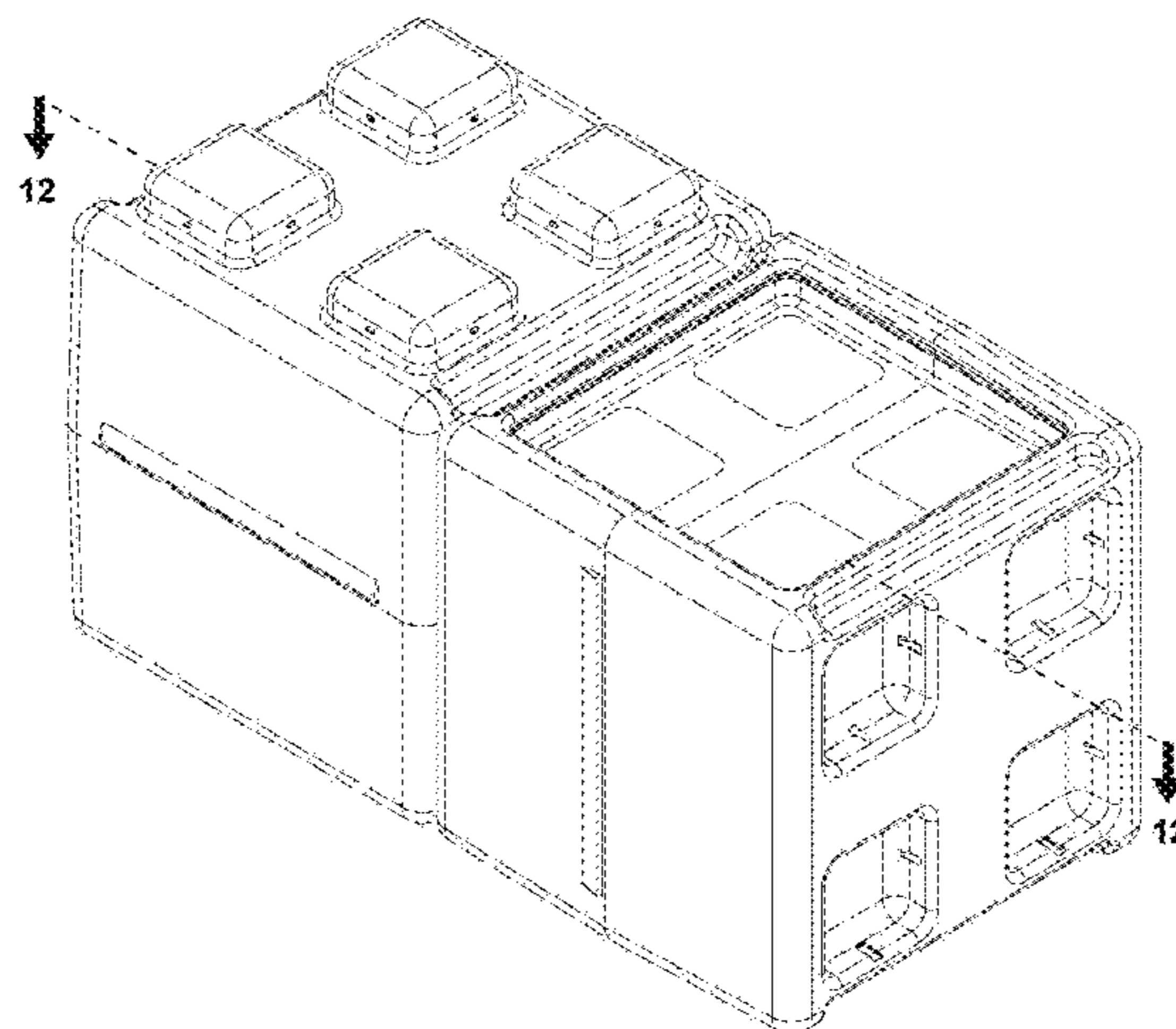
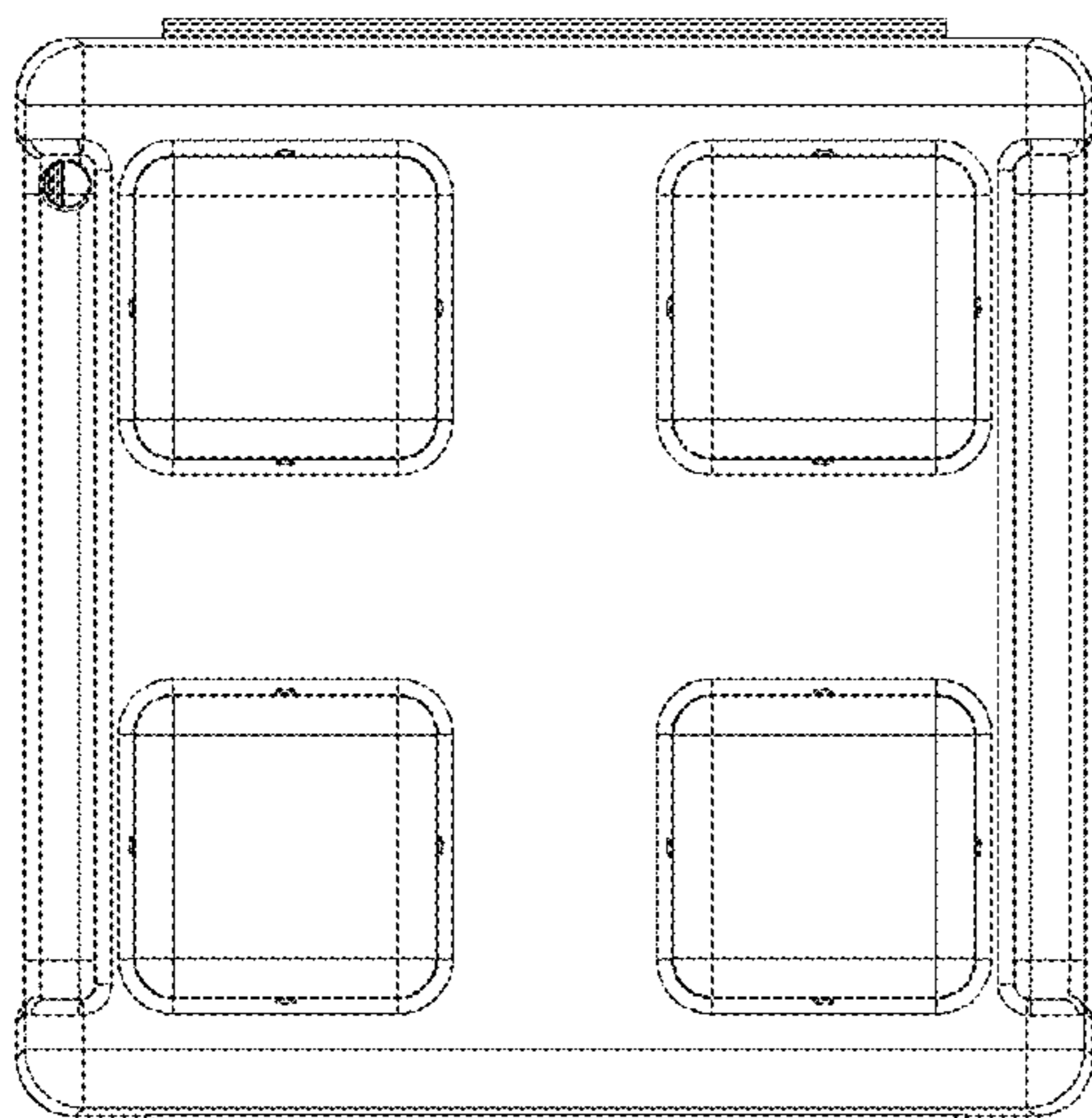
FIG. 11 is a cross-sectional view of the assembly shown in FIG. 10, taken along the line 11-11 thereof;

FIG. 12 is a cross-sectional view of the the assembly shown in FIG. 8, taken along the line 12-12 thereof; and,

FIG. 13 is a top perspective view of five connected combined building blocks and containers of FIG. 1, with all but one shown in broken lines.

The broken line showing of four additional combined building blocks and containers in FIG. 13 are included for the purpose of illustrating exemplary environment and forms no part of the claimed design.

1 Claim, 12 Drawing Sheets



(58) **Field of Classification Search**

CPC A63H 33/04; A63H 33/06; A63H 33/062;
A63H 33/08; A63H 33/088; A63F 9/12;
A63F 9/1224

See application file for complete search history.

(56) **References Cited**

U.S. PATENT DOCUMENTS

D357,509	S	*	4/1995	Goettner	D21/503
D369,100	S	*	4/1996	Johnson	D21/499
5,676,251	A		10/1997	Credle, Jr.		
6,679,780	B1	*	1/2004	Shih	A63F 9/1204 273/156
D512,108	S	*	11/2005	Lin	D21/499
D702,774	S	*	4/2014	Wizenberg	D21/499
D726,261	S	*	4/2015	Uno	D21/499
D748,415	S	*	2/2016	De Roeck	D6/675
2005/0191932	A1	*	9/2005	Lin	A63H 33/086 446/85
2010/0210173	A1		8/2010	Maggiore et al.		

* cited by examiner

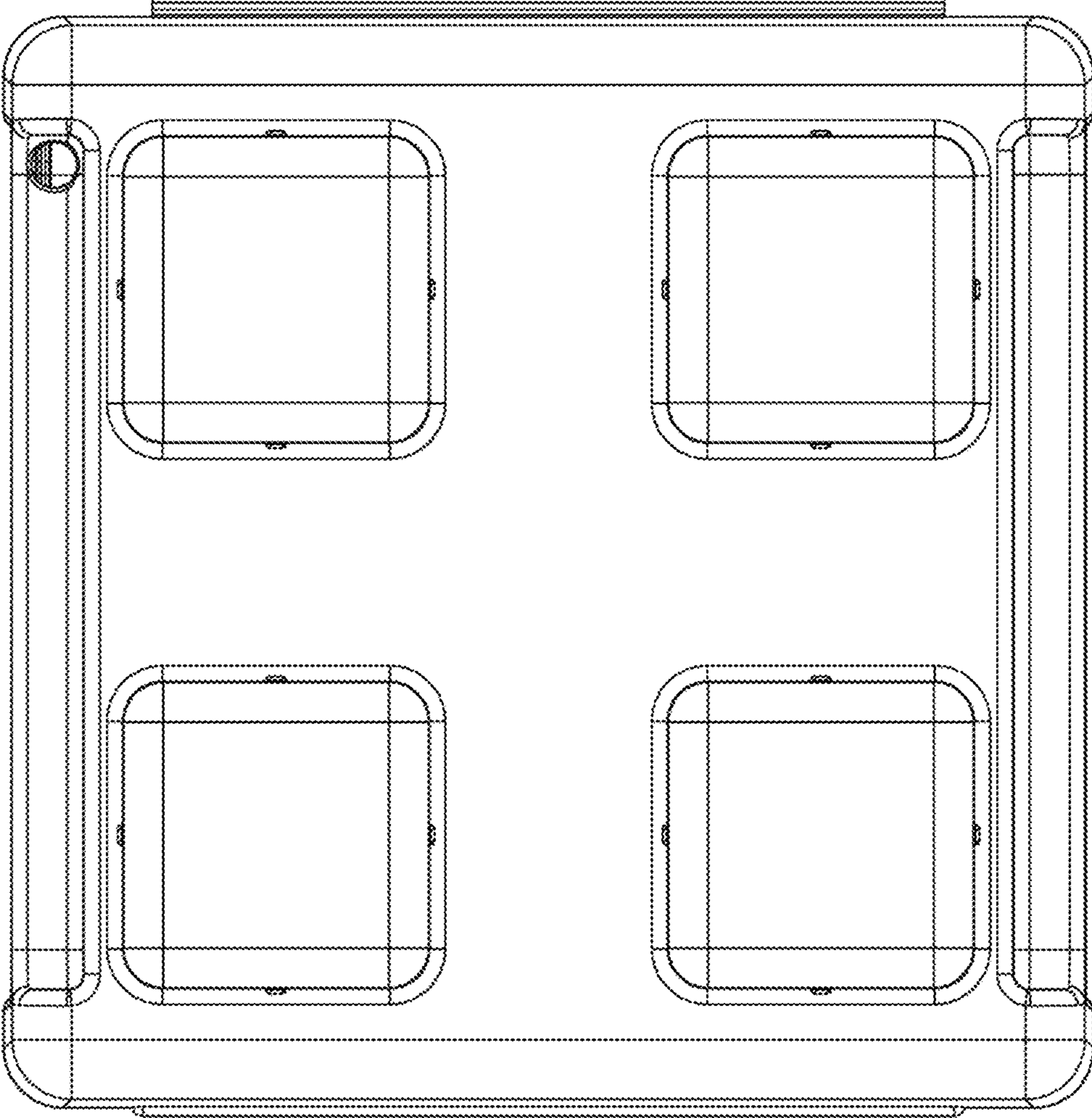


FIG. 1

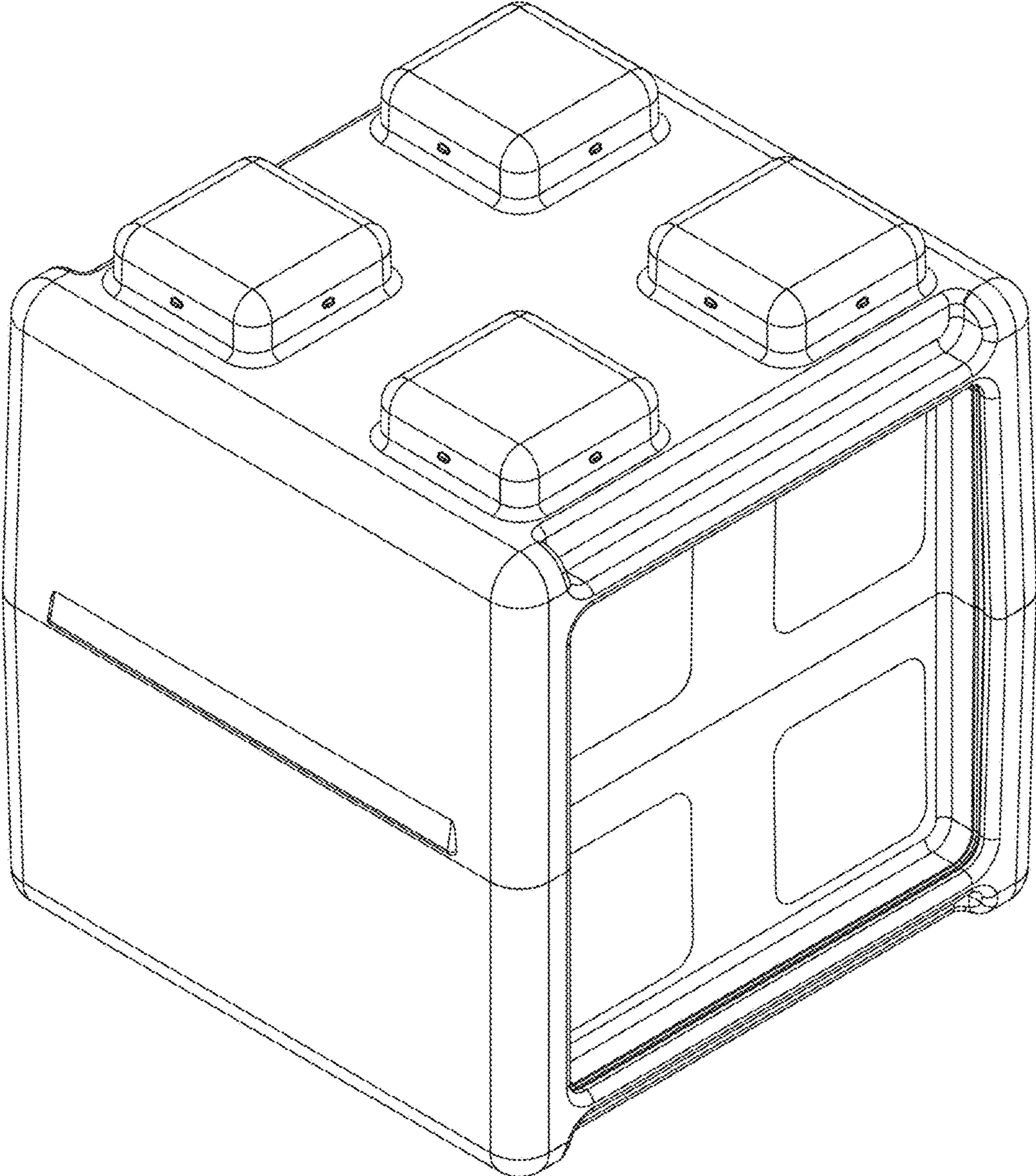


FIG. 2

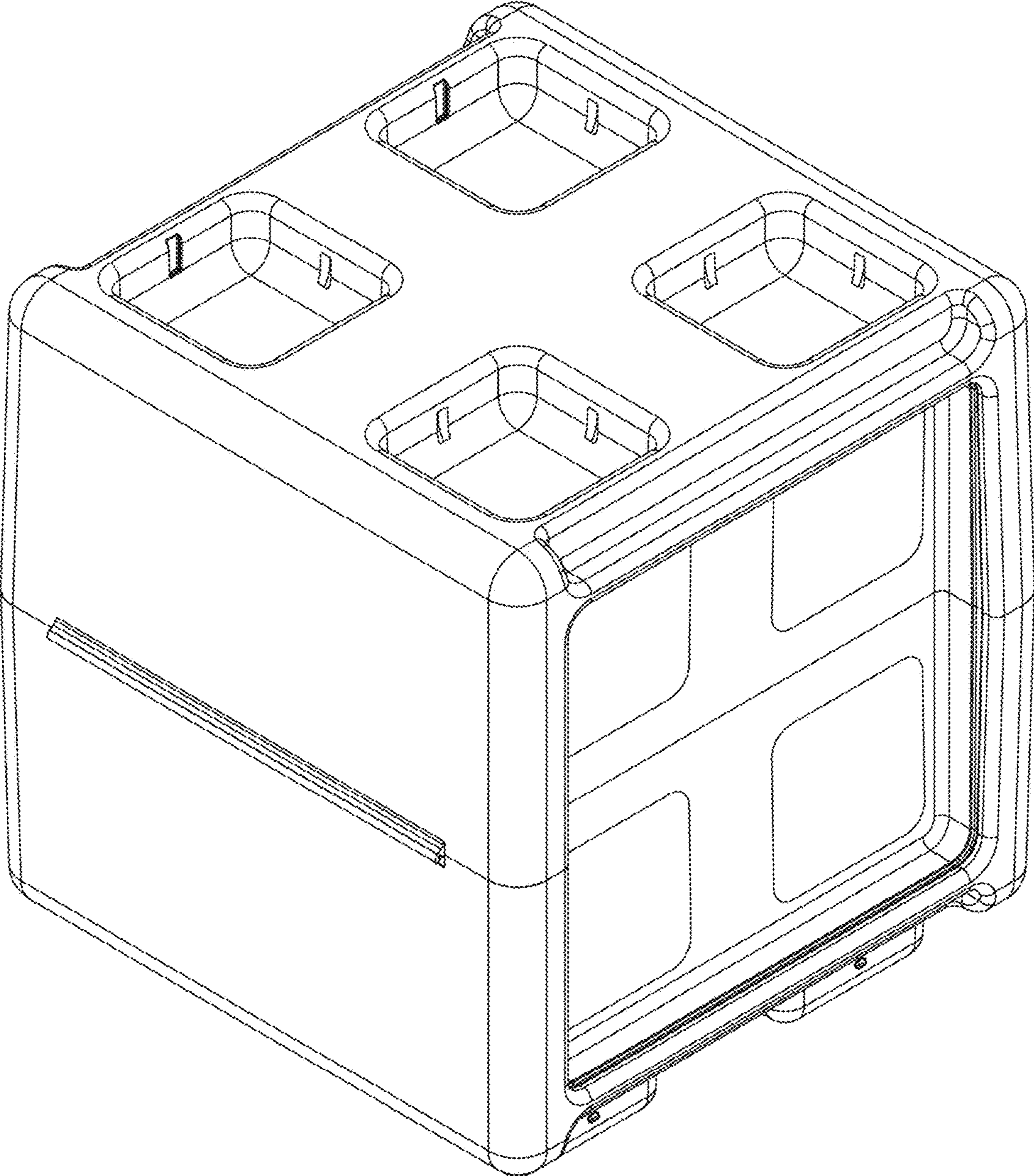


FIG. 3

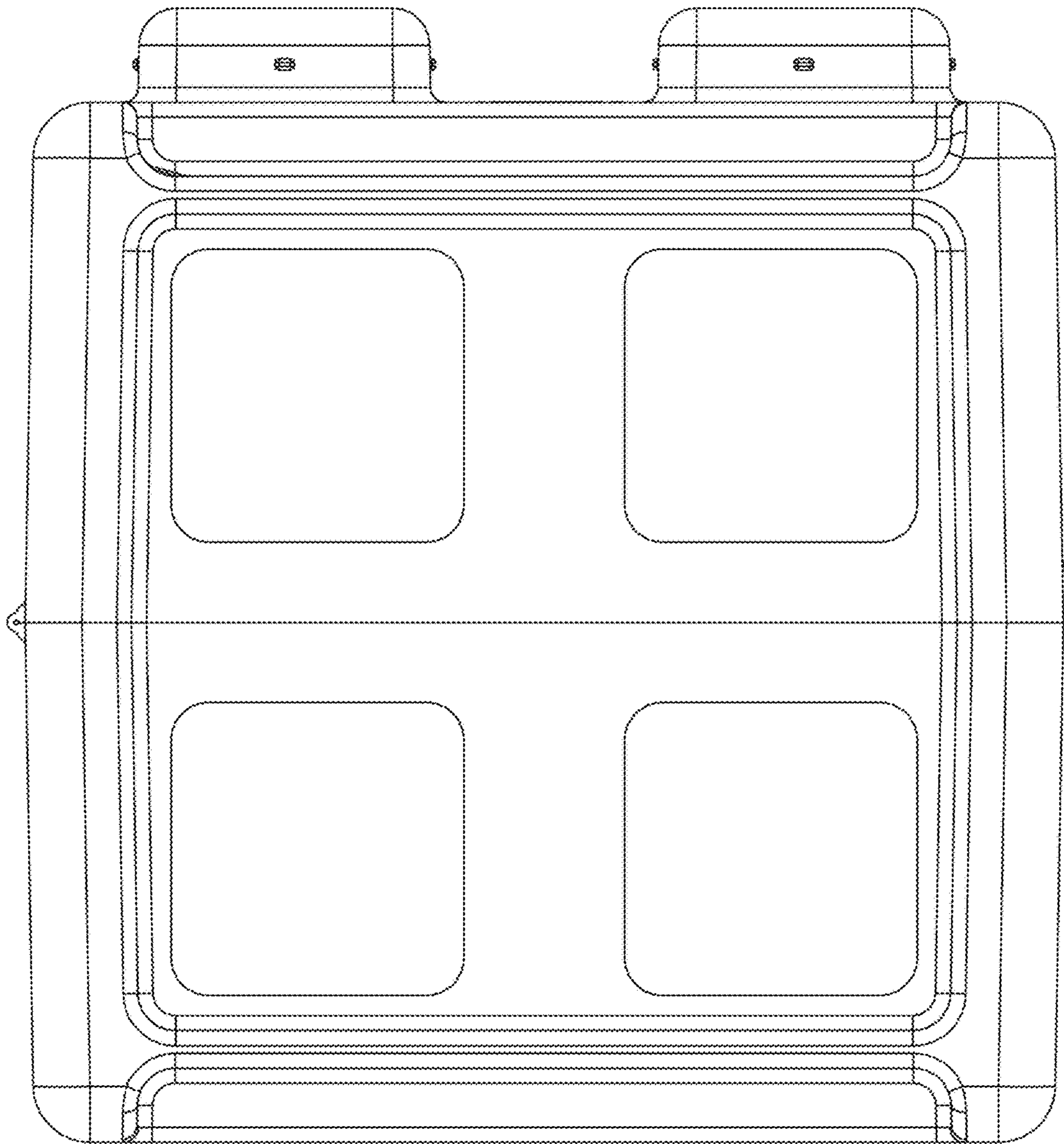


FIG. 4

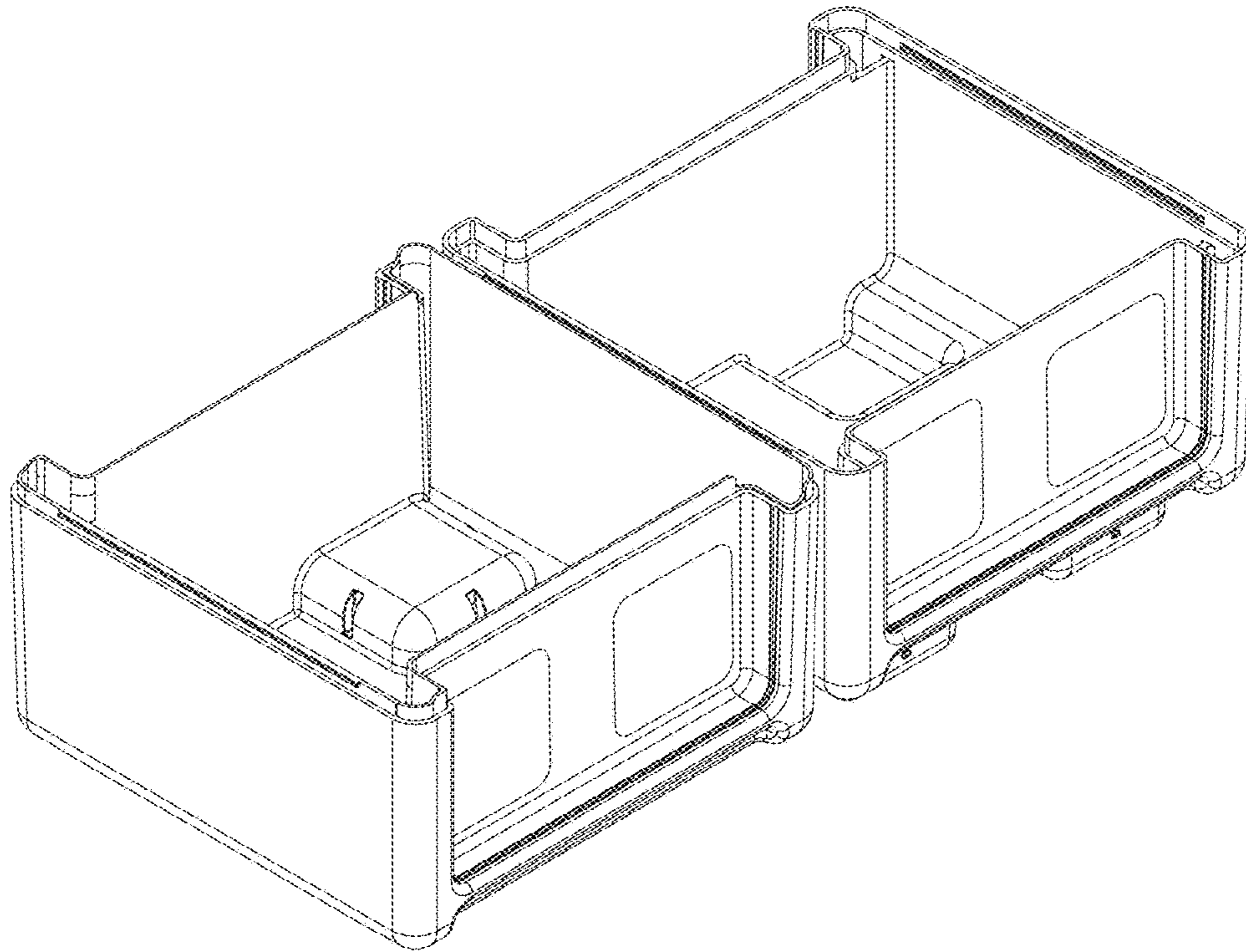


FIG. 5

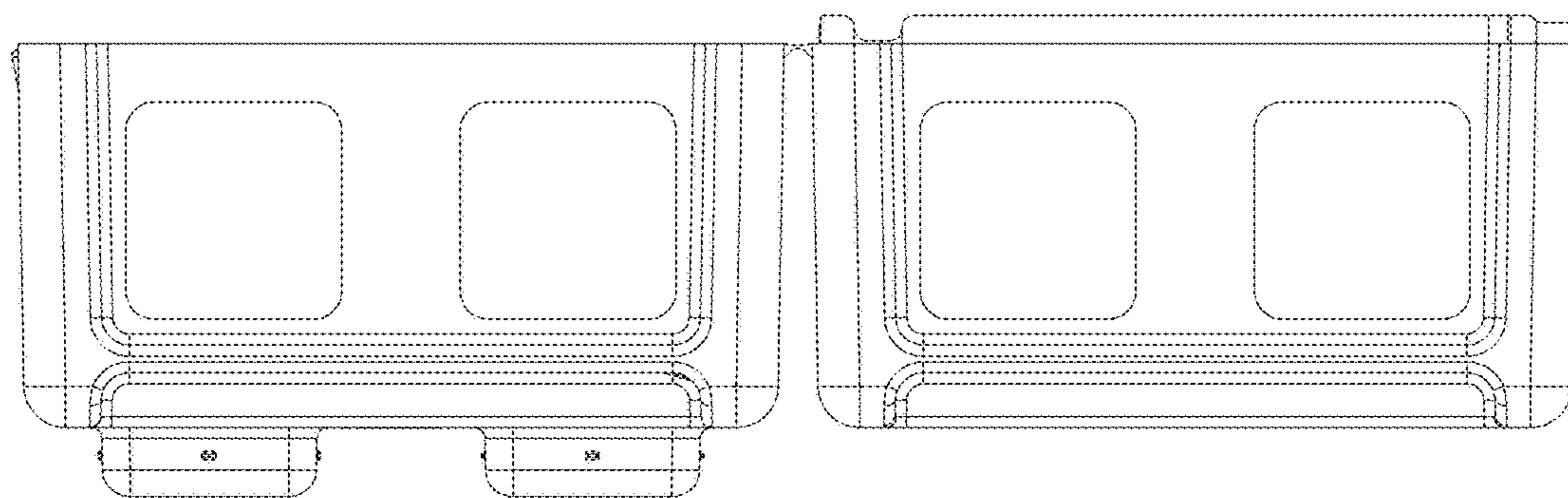


FIG. 6

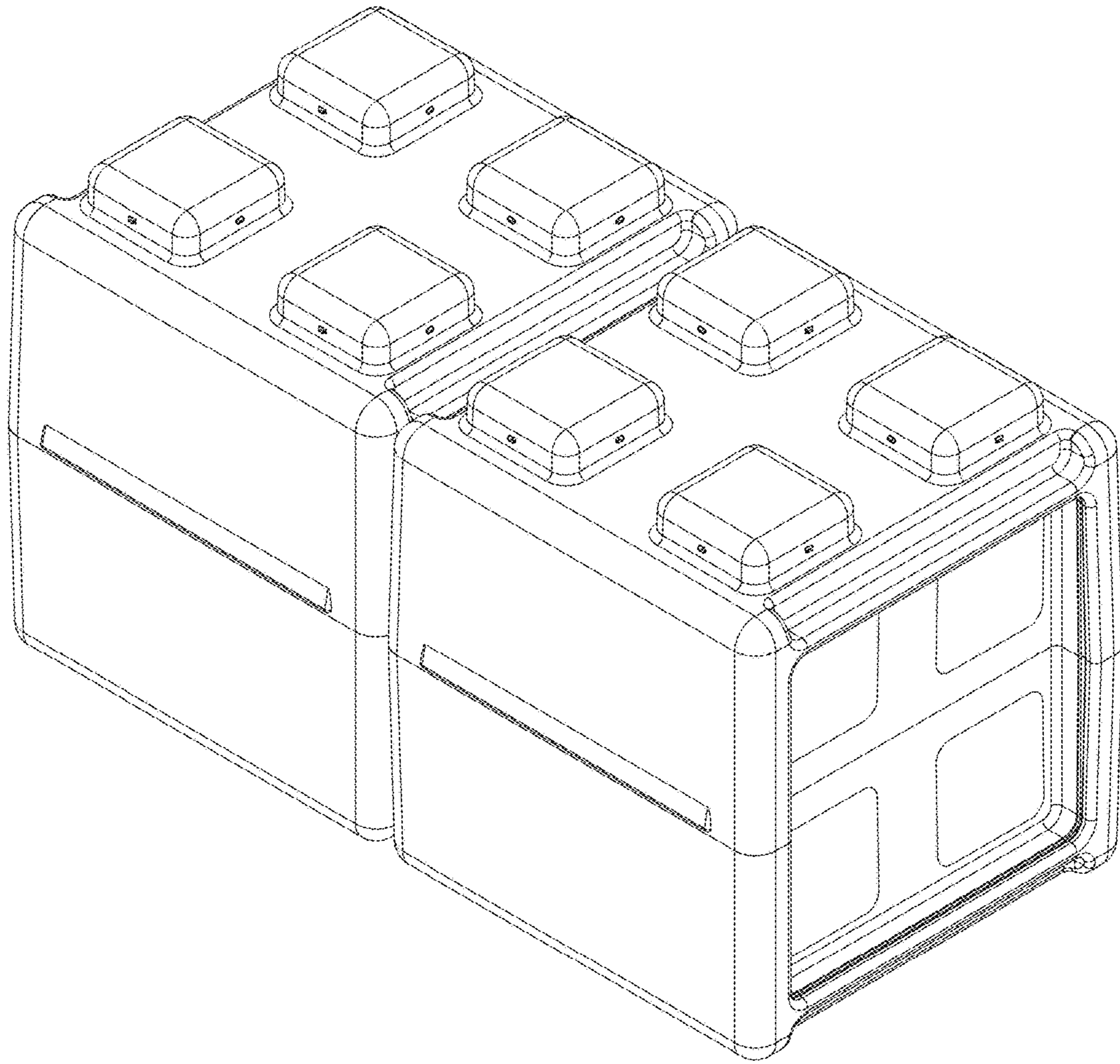


FIG. 7

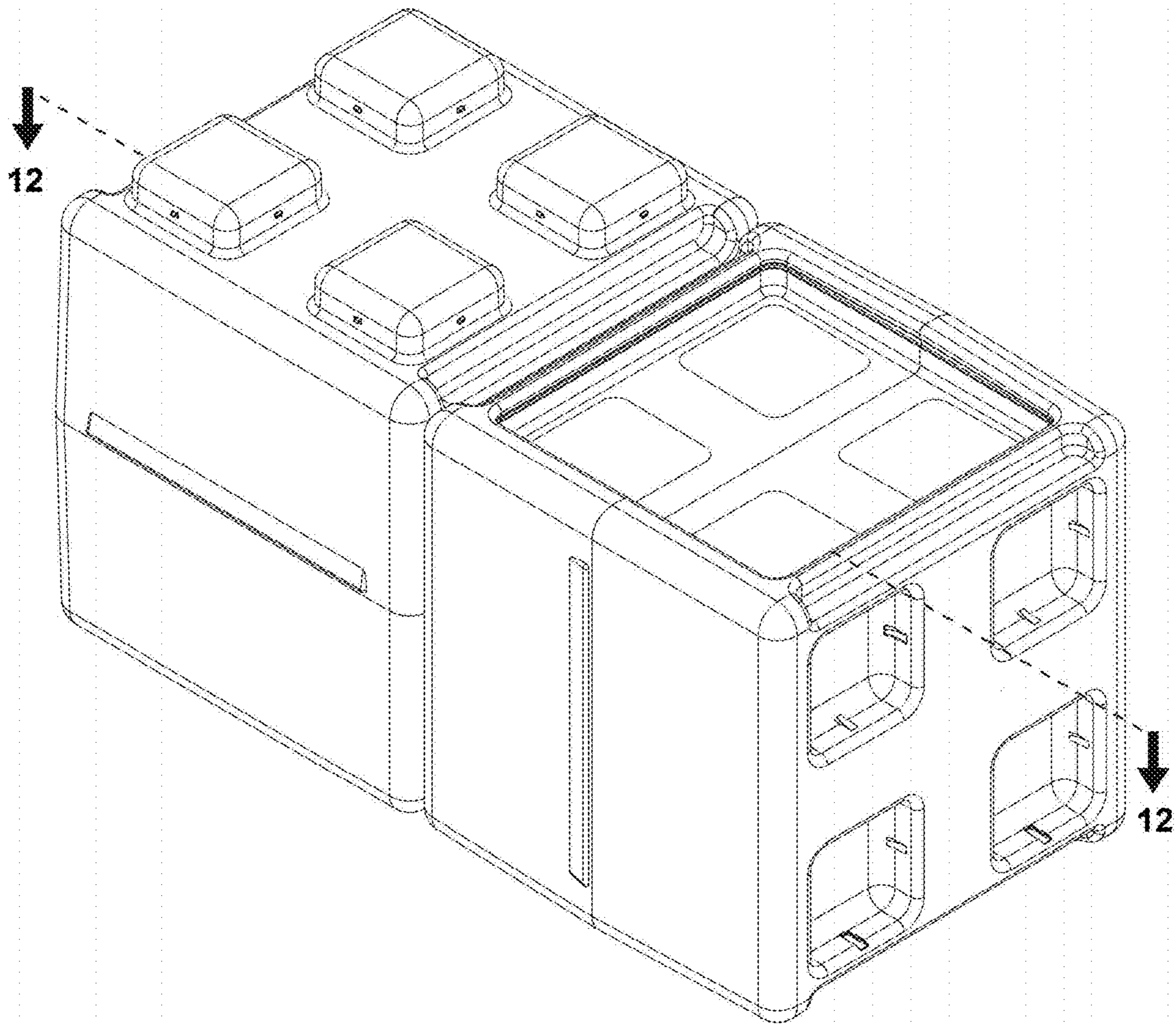


FIG. 8

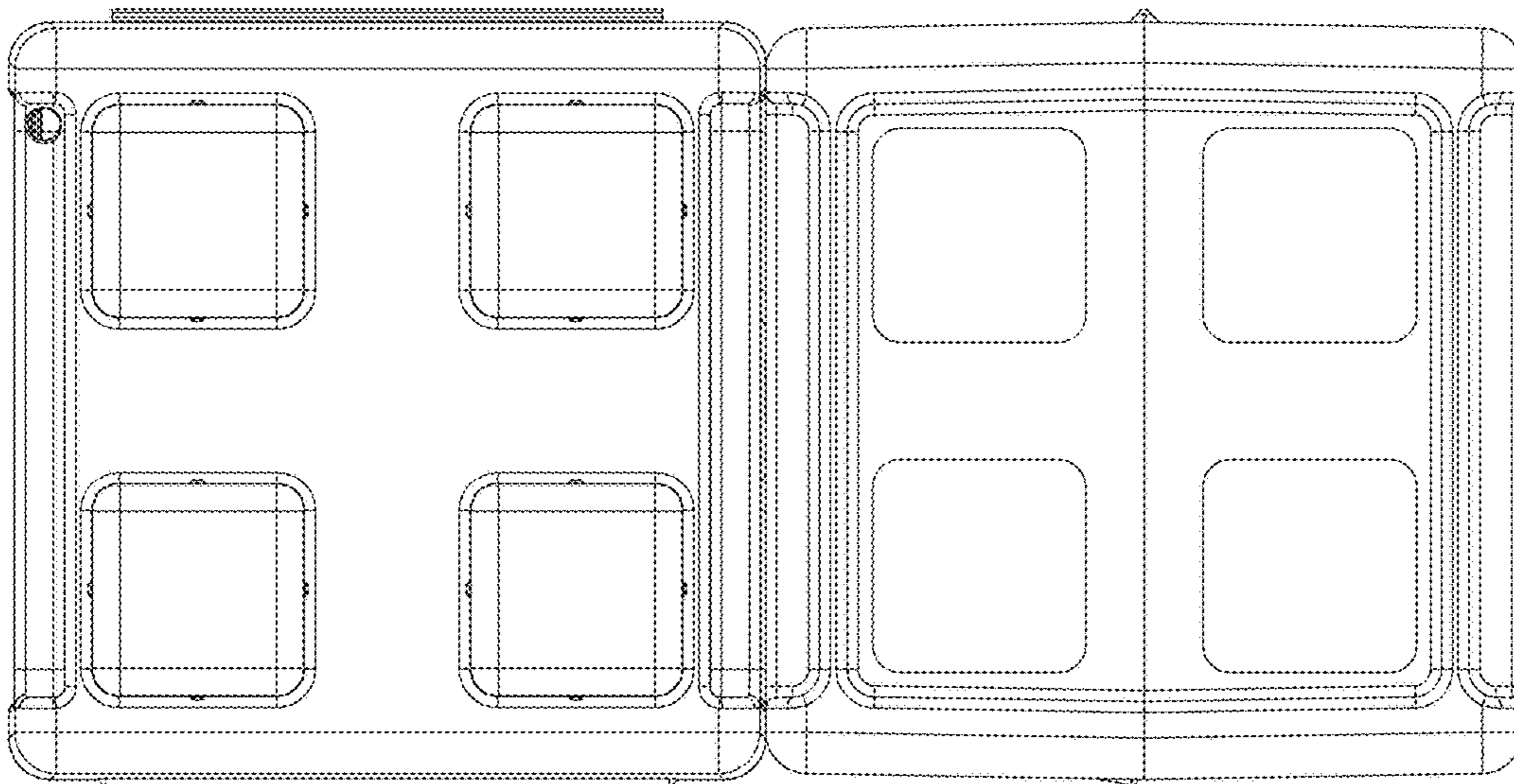


FIG. 9

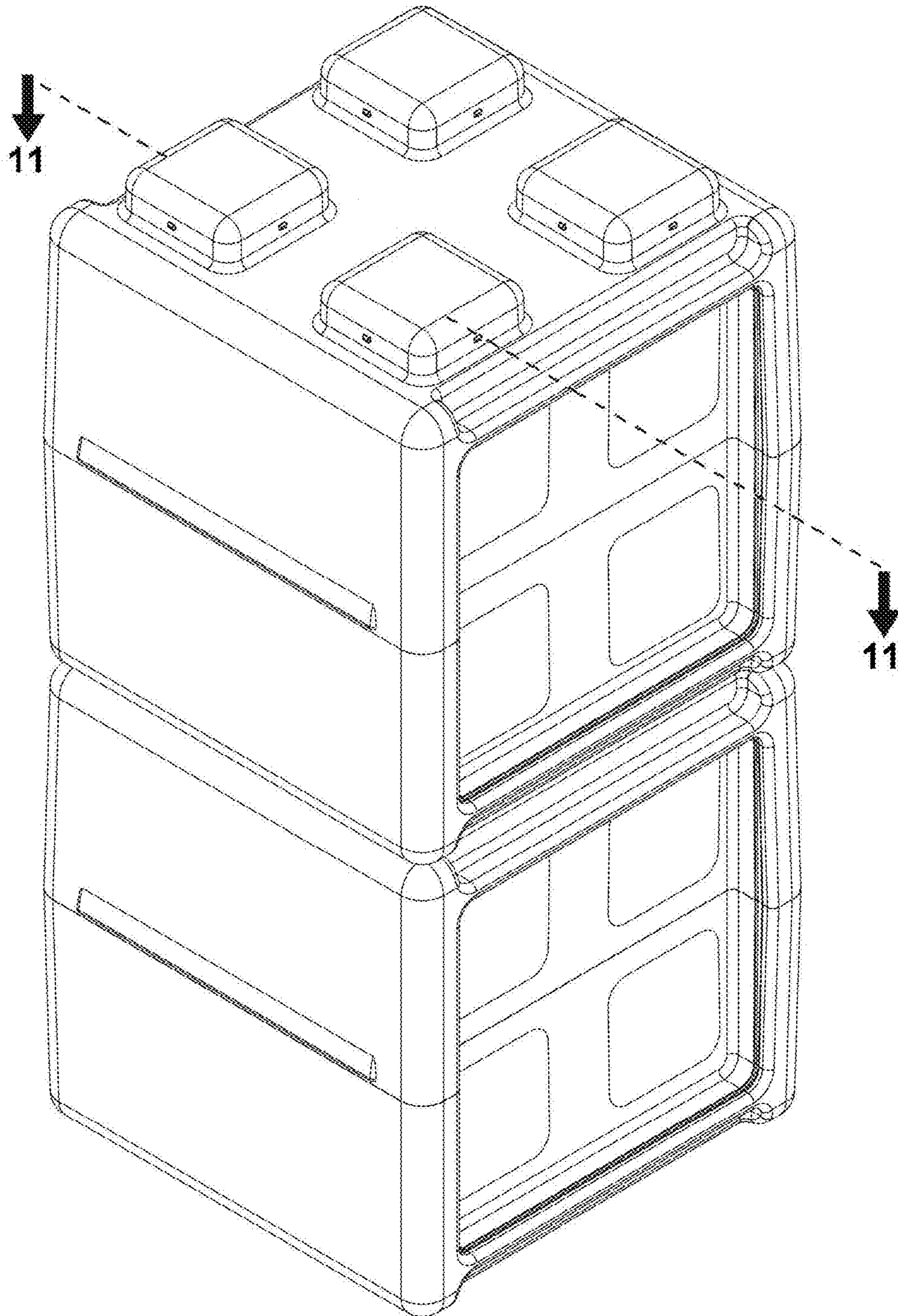


FIG. 10

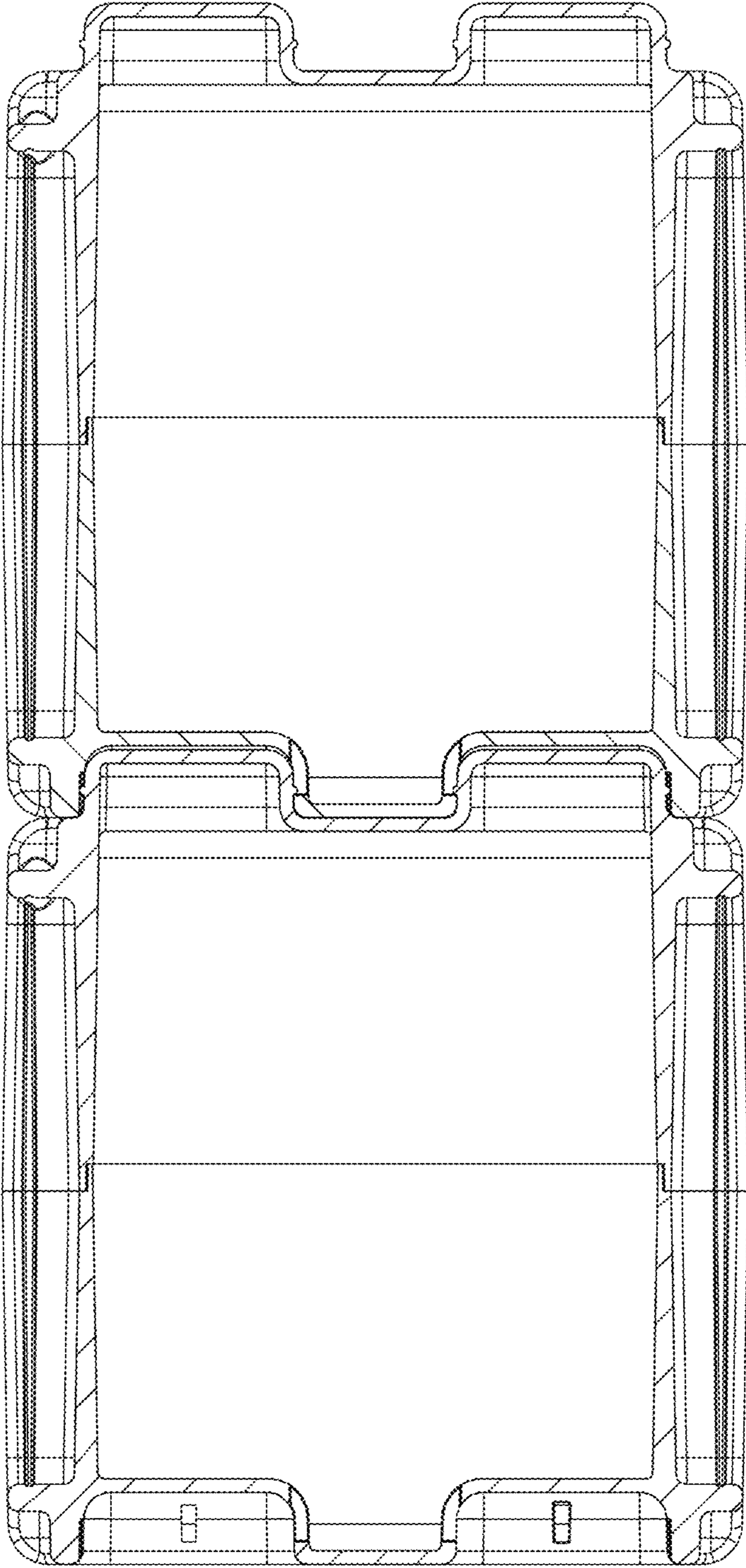


FIG. 11

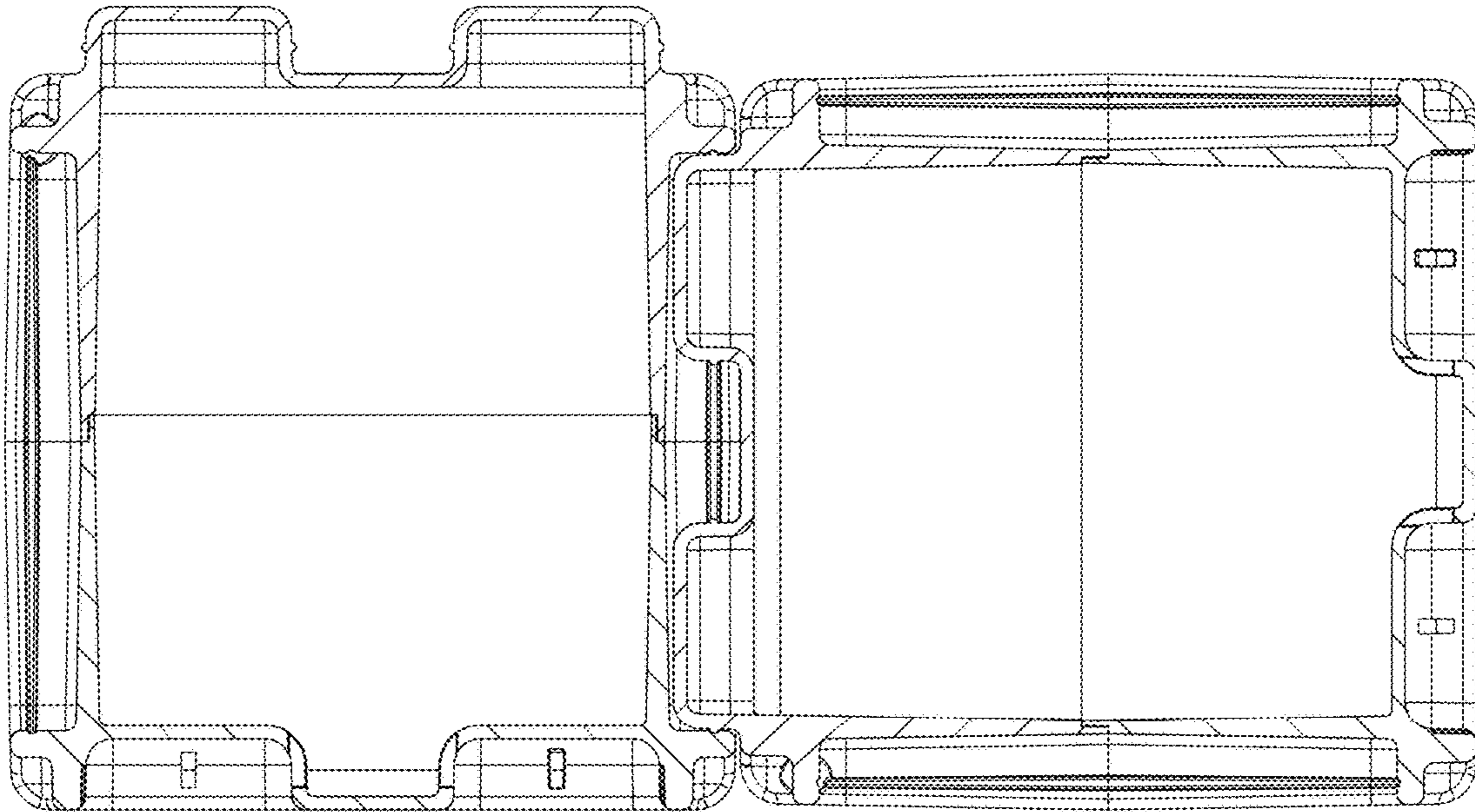


FIG. 12

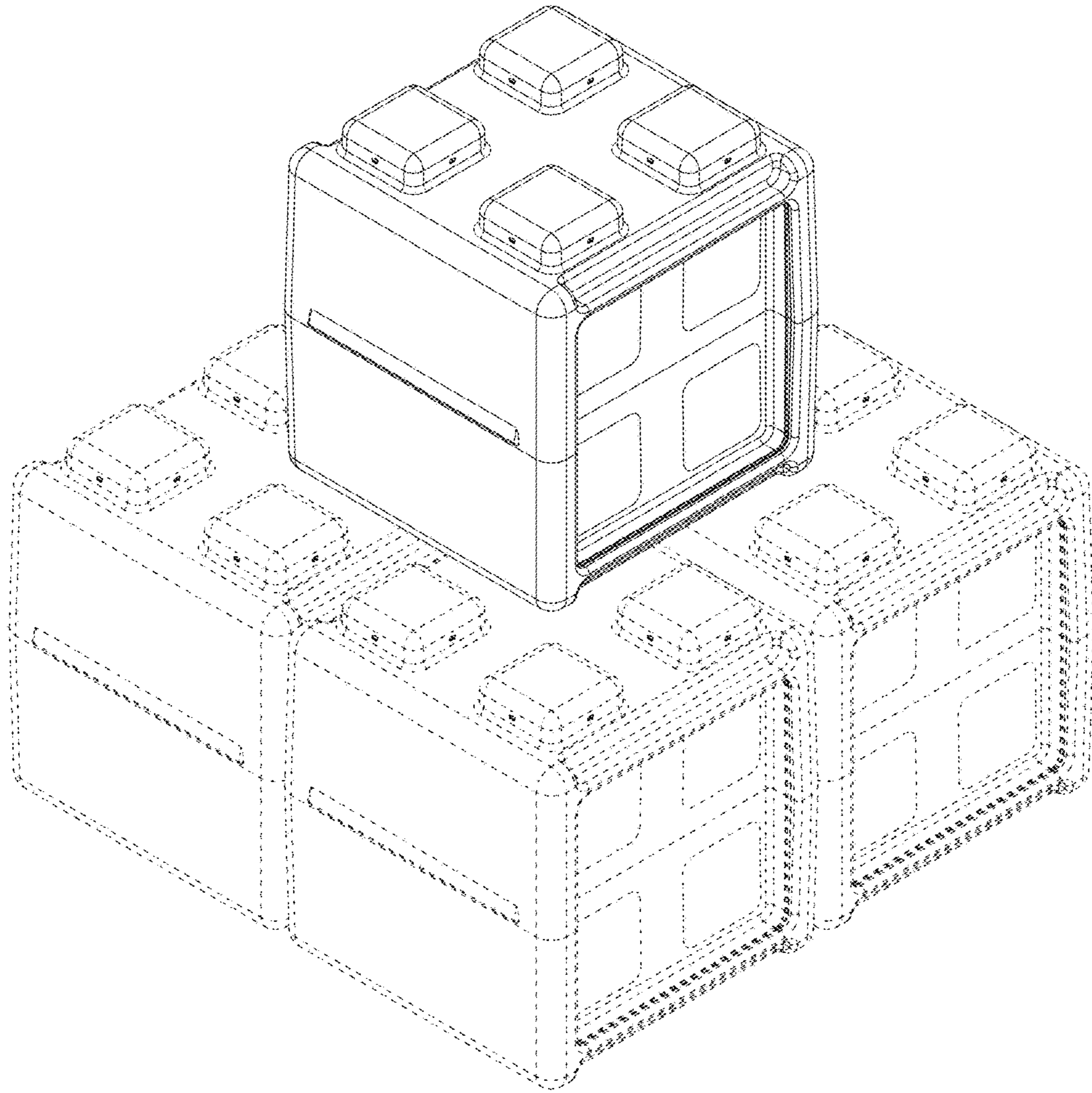


FIG. 13