



US00D776204S

(12) **United States Design Patent**
van den Berg

(10) **Patent No.:** **US D776,204 S**
(45) **Date of Patent:** **** Jan. 10, 2017**

(54) **GO KART**
(71) Applicant: **Berg Toys Beheer B.V.**, Ede (NL)
(72) Inventor: **Hendrik van den Berg**, Wekerom (NL)
(73) Assignee: **Berg Toys Beheer B.V.**, Ede (NL)
(**) Term: **14 Years**

5,501,478 A * 3/1996 Doan B62K 5/02
280/220
D437,364 S * 2/2001 Jang D21/424
D484,073 S * 12/2003 Chang D12/112
D488,194 S * 4/2004 Fox D21/424
D645,381 S * 9/2011 Bricker D12/112
D682,746 S * 5/2013 Doherty D12/112
D692,505 S * 10/2013 Jiang D12/112
D692,506 S * 10/2013 Jiang D12/112

* cited by examiner

(21) Appl. No.: **29/523,837**
(22) Filed: **Apr. 14, 2015**

Primary Examiner — Cynthia M Chin

(74) *Attorney, Agent, or Firm* — Chiesa Shahinian &
Giantomasi PC

(30) **Foreign Application Priority Data**

Oct. 17, 2014 (EM) 002559542-0001
Oct. 17, 2014 (EM) 002559542-0002
Oct. 17, 2014 (EM) 002559542-0003
Oct. 17, 2014 (EM) 002559542-0004

(57) **CLAIM**

The ornamental design for a go kart, as shown and described.

(51) **LOC (10) Cl.** **21-01**
(52) **U.S. Cl.**
USPC **D21/426; D12/112**

DESCRIPTION

(58) **Field of Classification Search**
USPC D21/412, 414, 431-435; D12/1, 107,
D12/110-114, 129, 130, 133; 280/87.01,
280/87.021, 87.05, 87.051, 47.17, 47.25,
280/47.34, 47.38, 47.4, 827, 828, 29, 200,
280/263, 266, 267, 270, 282, 288.4, 291,
280/293; 297/5; 482/68
CPC B62K 5/00; B62K 5/04; B62K 5/06;
B62K 5/08; B62M 1/00
See application file for complete search history.

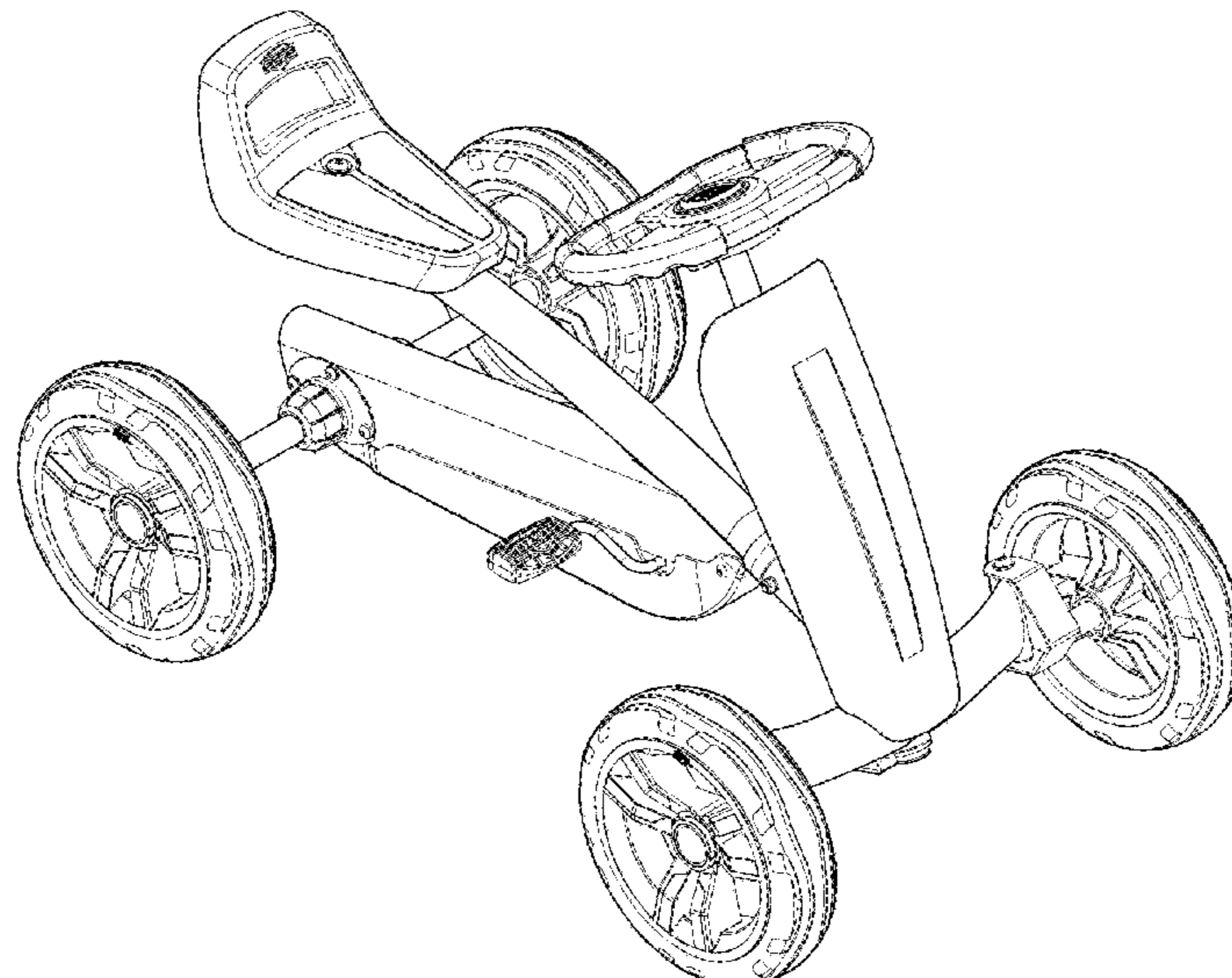
FIG. 1 a front isometric view of a new design for a go kart;
FIG. 2 is a rear isometric view thereof;
FIG. 3 is a top view thereof;
FIG. 4 is a front view thereof;
FIG. 5 is a rear view thereof;
FIG. 6 is a left side view thereof;
FIG. 7 is a right side view thereof; and,
FIG. 8 is a bottom view thereof.

The word FIAT forming part of the claimed design is a registered trademark of FCA Group Marketing S.p.A.

(56) **References Cited**
U.S. PATENT DOCUMENTS

4,335,899 A * 6/1982 Hiscock B60B 3/082
280/259
5,071,150 A * 12/1991 Conrad B62K 3/005
280/264

1 Claim, 8 Drawing Sheets



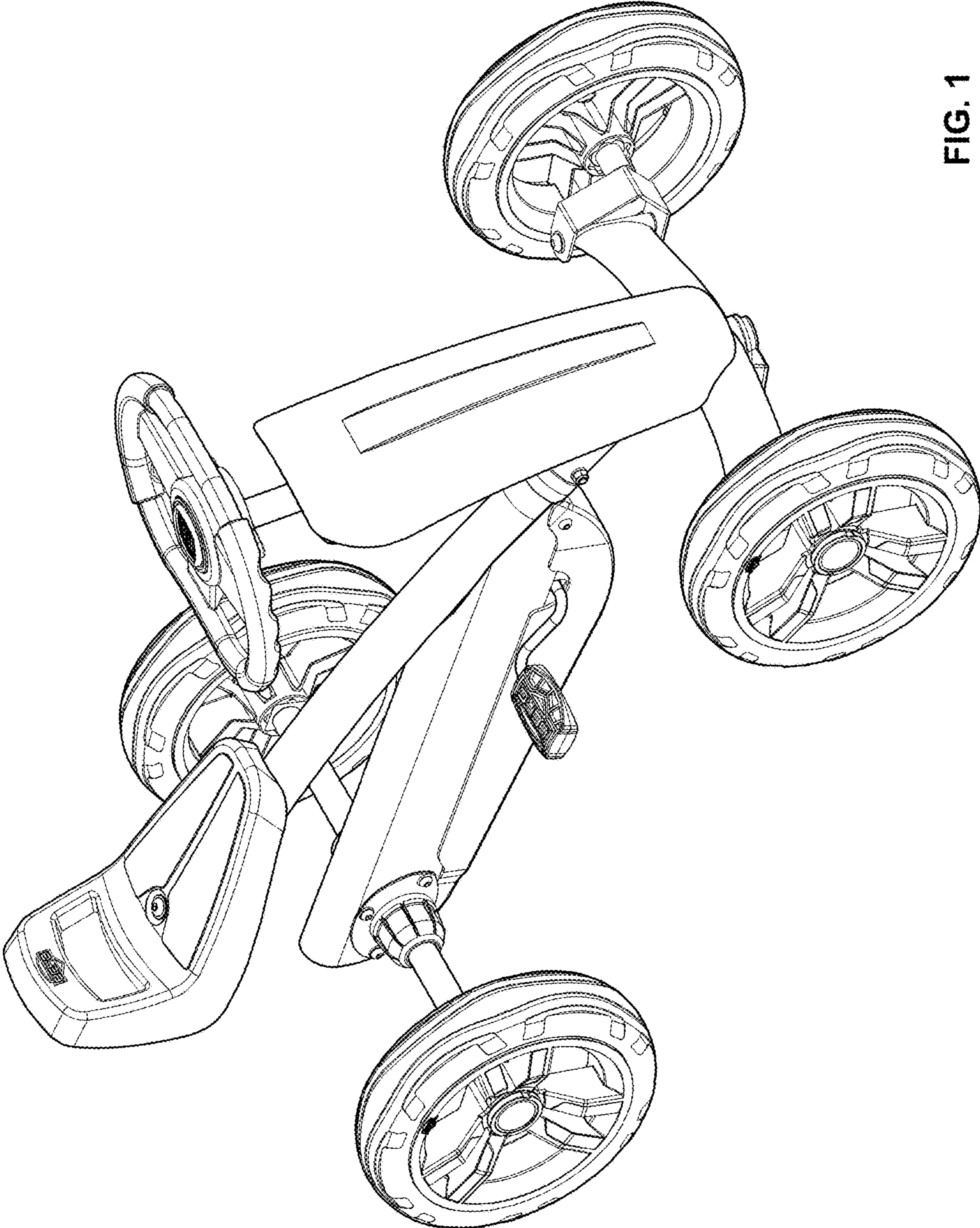


FIG. 1

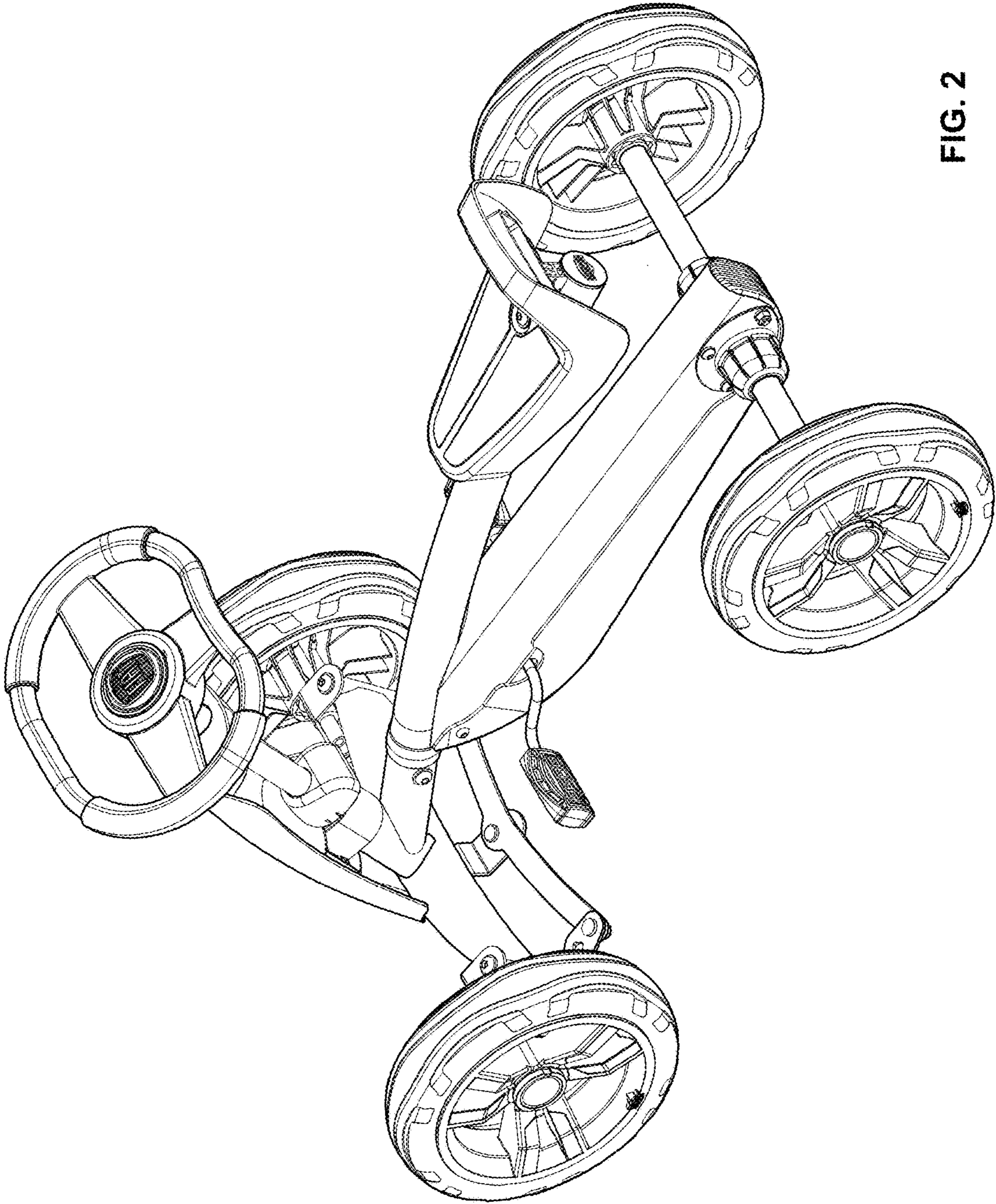


FIG. 2

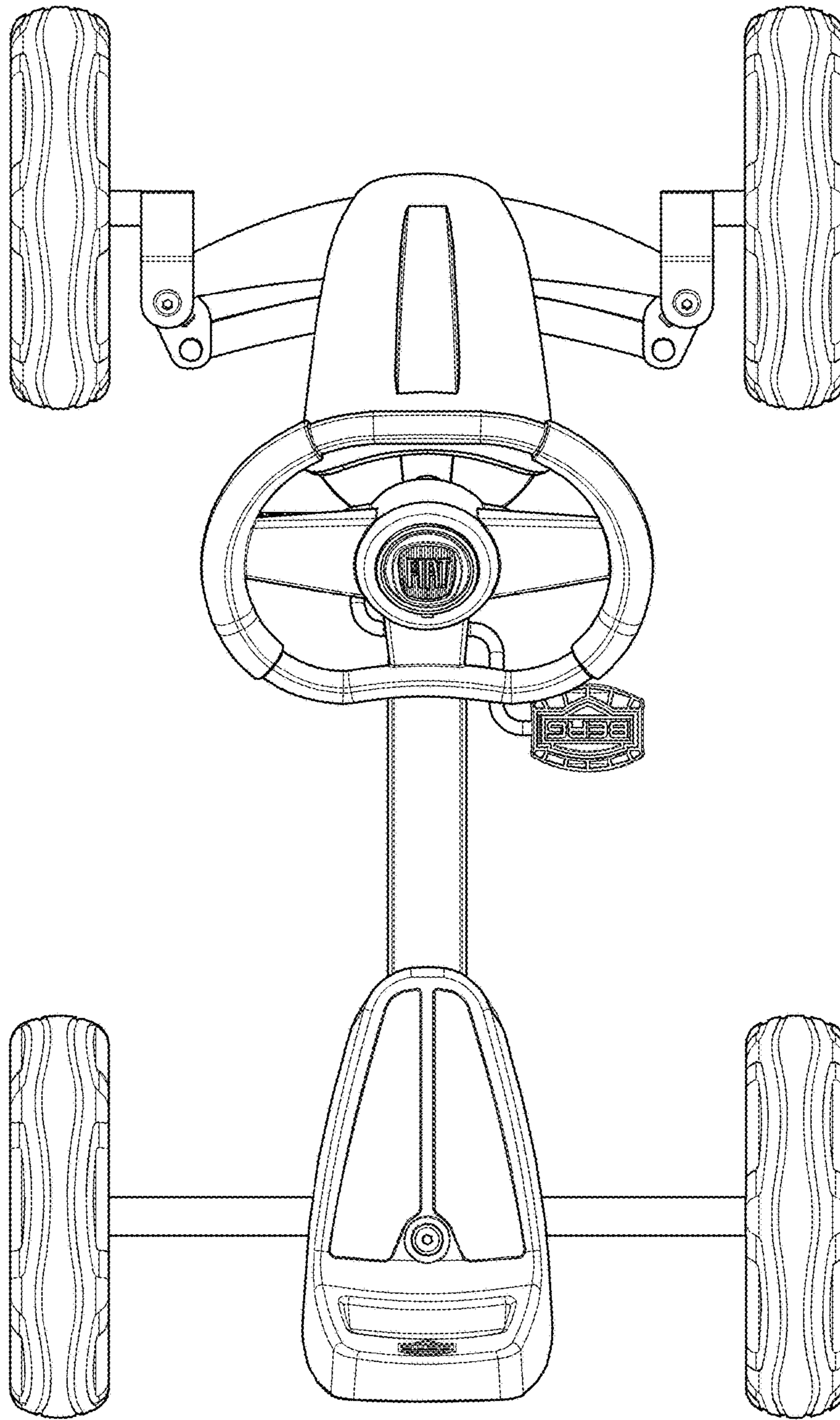


FIG. 3

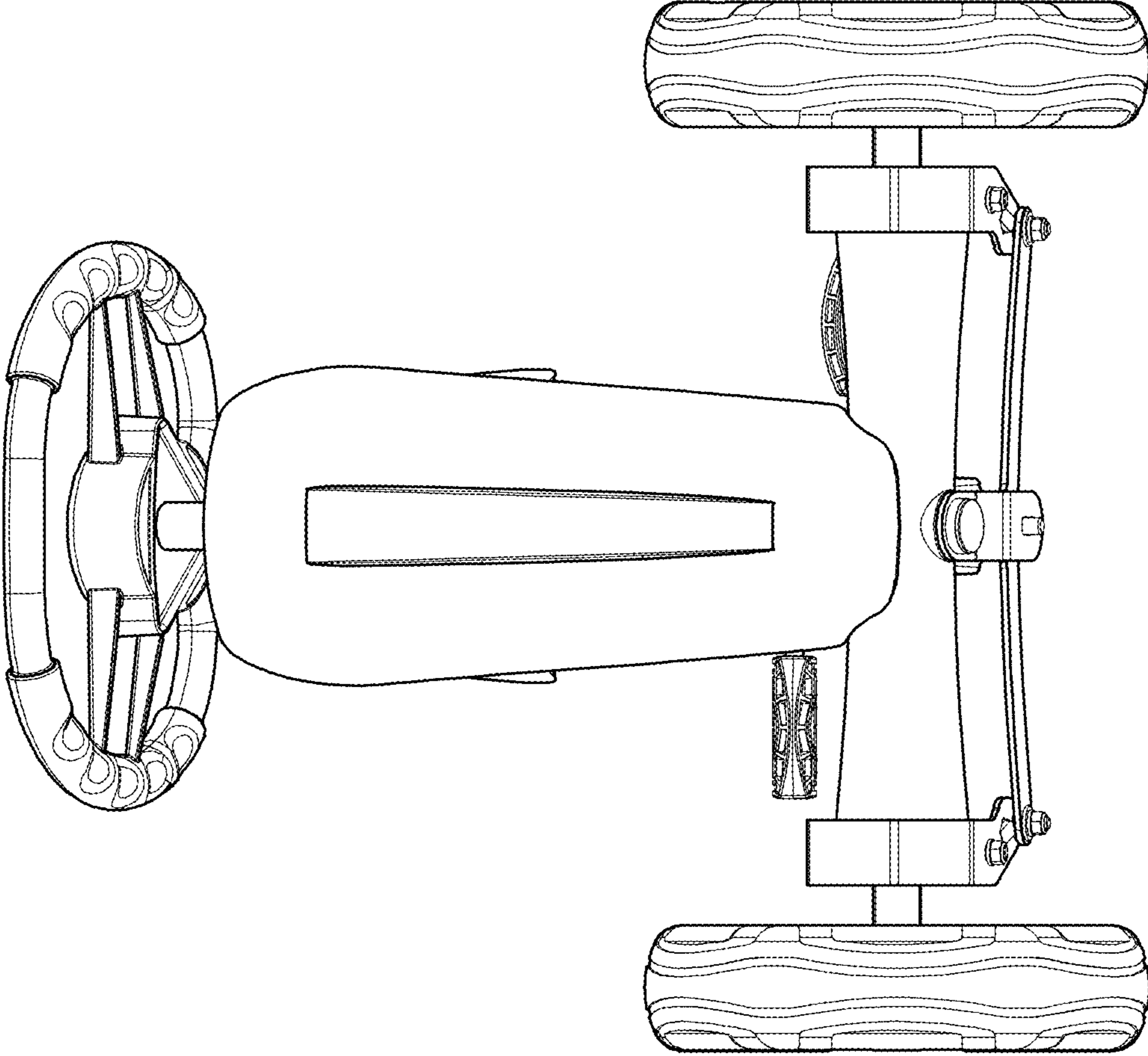


FIG. 4

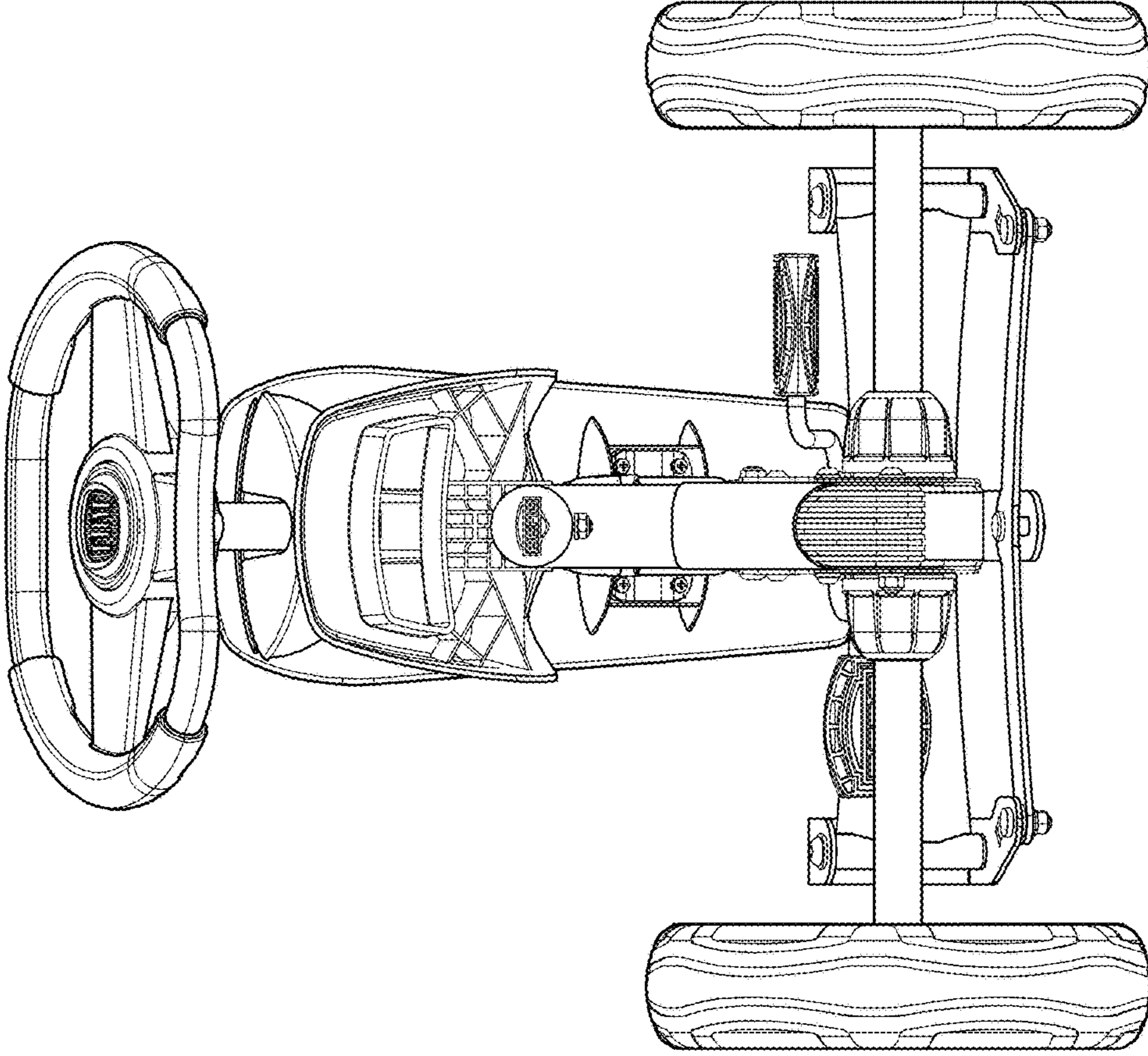


FIG. 5

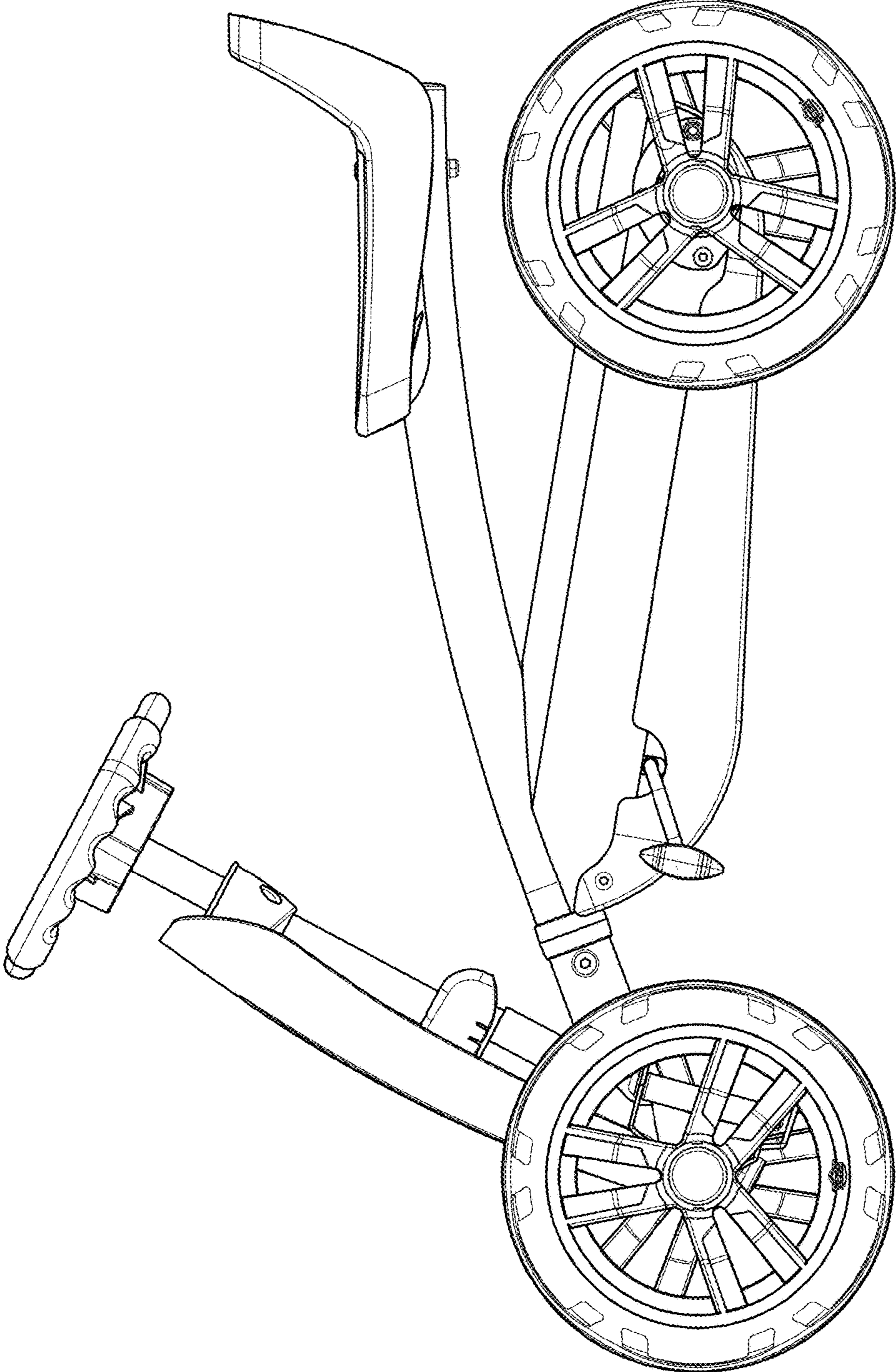


FIG. 6

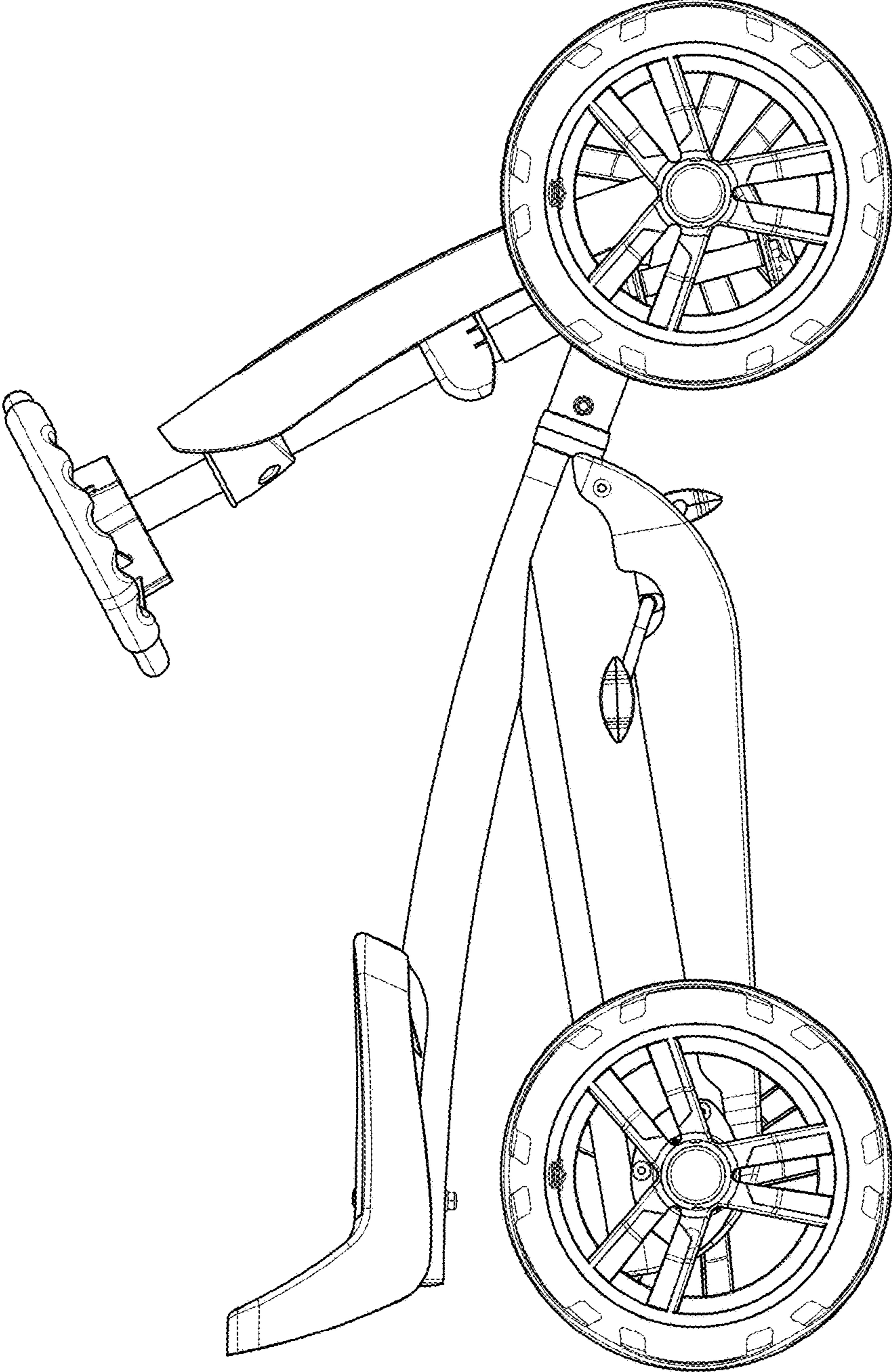


FIG. 7

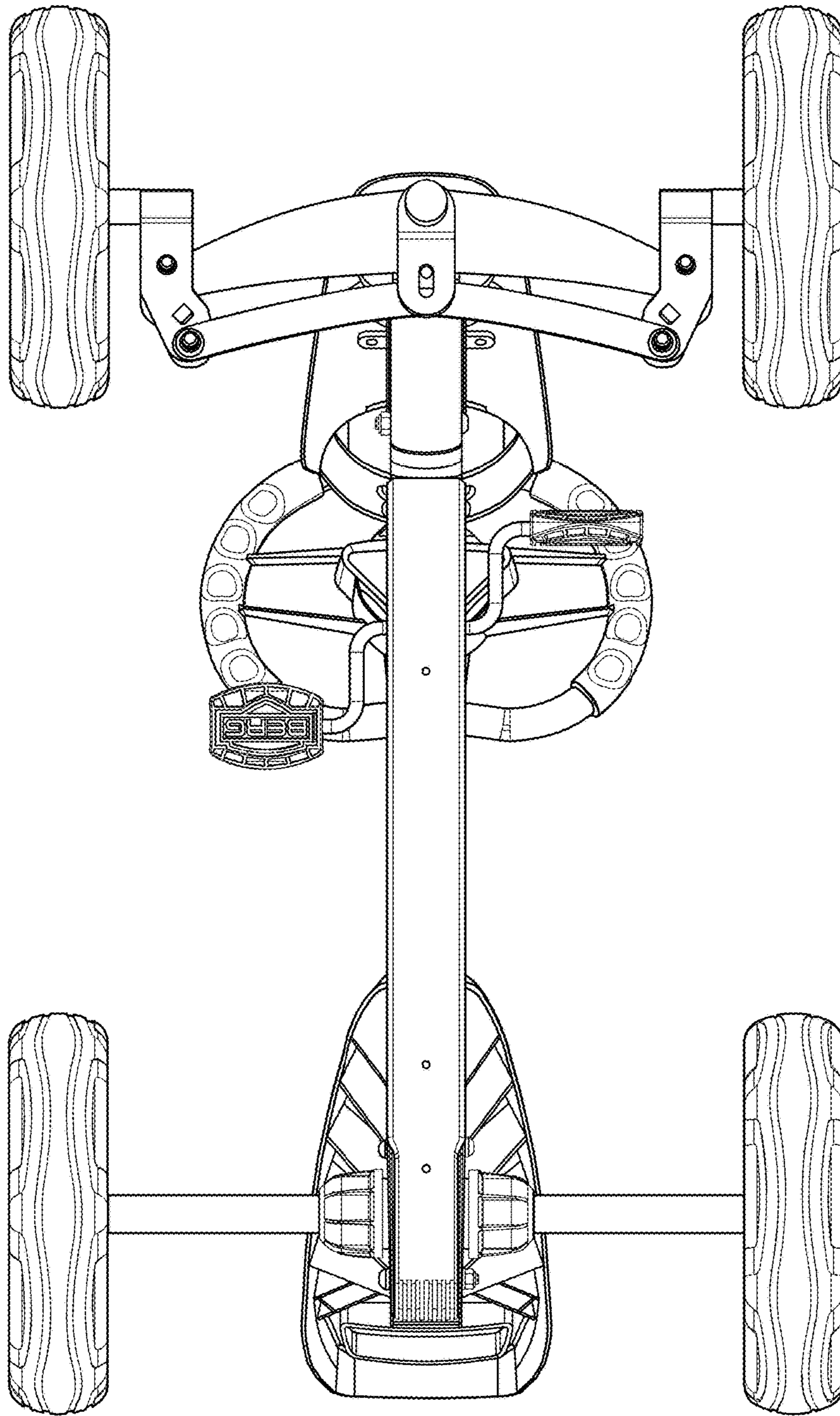


FIG. 8