



US00D776203S

(12) **United States Design Patent**
Zuloff

(10) **Patent No.:** **US D776,203 S**

(45) **Date of Patent:** **** Jan. 10, 2017**

- (54) **LIGHT UP SPINNING TOY**
- (71) Applicant: **Steve Zuloff**, Chatsworth, CA (US)
- (72) Inventor: **Steve Zuloff**, Chatsworth, CA (US)
- (**) Term: **14 Years**
- (21) Appl. No.: **29/521,684**
- (22) Filed: **Mar. 25, 2015**
- (51) **LOC (10) Cl.** **21-01**
- (52) **U.S. Cl.**
USPC **D21/398**
- (58) **Field of Classification Search**
USPC D26/37; D21/398; D23/379
CPC A63B 67/10; A63B 67/205; A63B 67/22;
A63B 59/30
See application file for complete search history.

7,445,349 B2 * 11/2008 Yu B43K 7/005
362/96
D593,237 S * 5/2009 Chernick D26/37
D704,775 S * 5/2014 Levy D21/398

* cited by examiner

Primary Examiner — Brian N Vinson
(74) *Attorney, Agent, or Firm* — Miskin & Tsui-Yip LLP;
Gloria Tsui-Yip, Esq.

(57) **CLAIM**

The ornamental design for a light up spinning toy, as shown and described.

DESCRIPTION

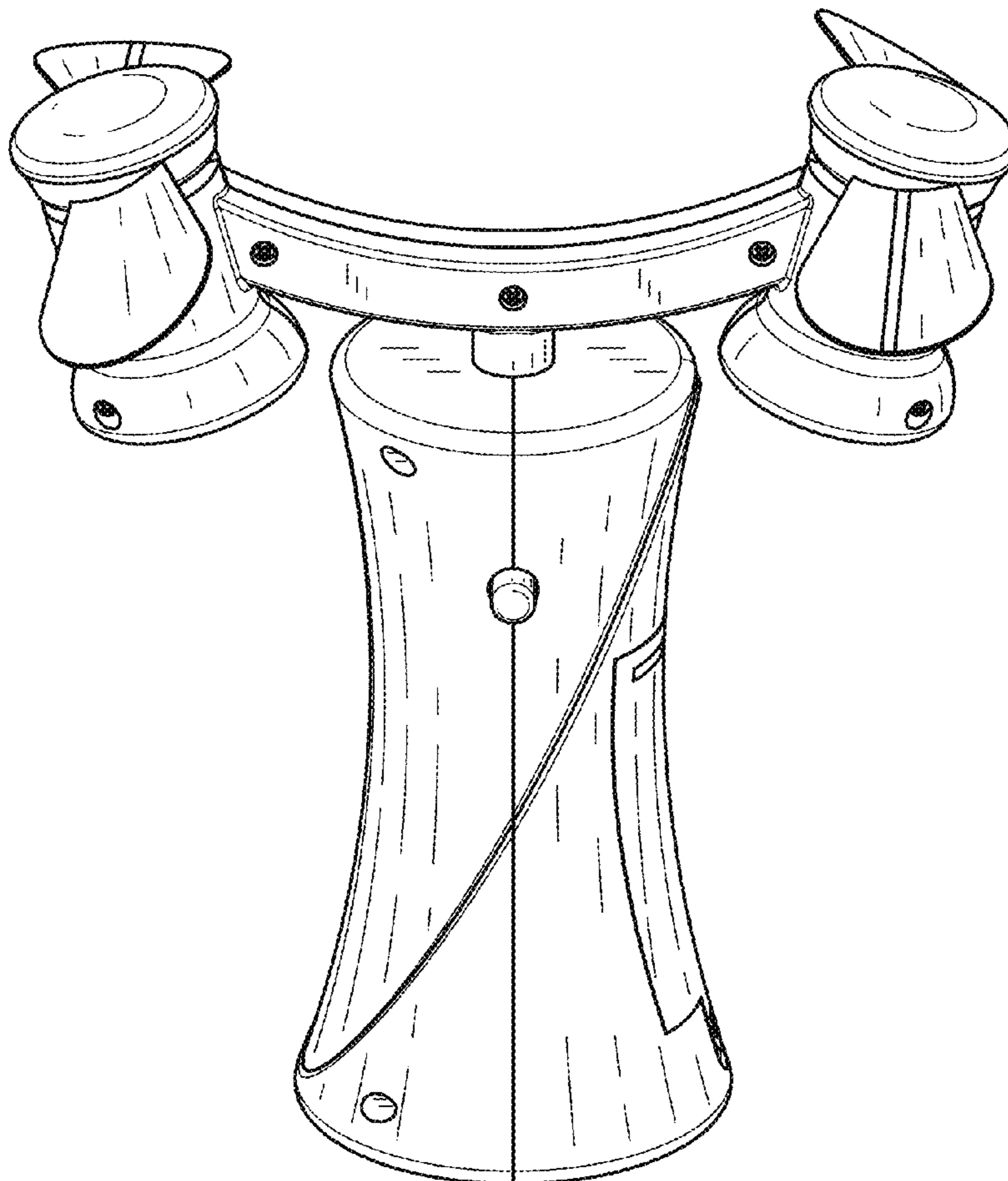
FIG. 1 is a front and top perspective view of my new design;
FIG. 2 is a front elevational view thereof;
FIG. 3 is a rear elevational view thereof;
FIG. 4 is a left side view thereof;
FIG. 5 is a right side view thereof;
FIG. 6 is a top plan view thereof;
FIG. 7 is a bottom and rear perspective view thereof;
FIG. 8 is a left, rear, and top perspective view thereof with the upper portion at a rotated position; and,
FIG. 9 is right, rear and top perspective view thereof with the upper portion at another rotated position.

1 Claim, 7 Drawing Sheets

(56) **References Cited**

U.S. PATENT DOCUMENTS

D451,994 S * 12/2001 Yuen D23/379
7,179,149 B2 * 2/2007 Chernick A63H 33/22
446/242



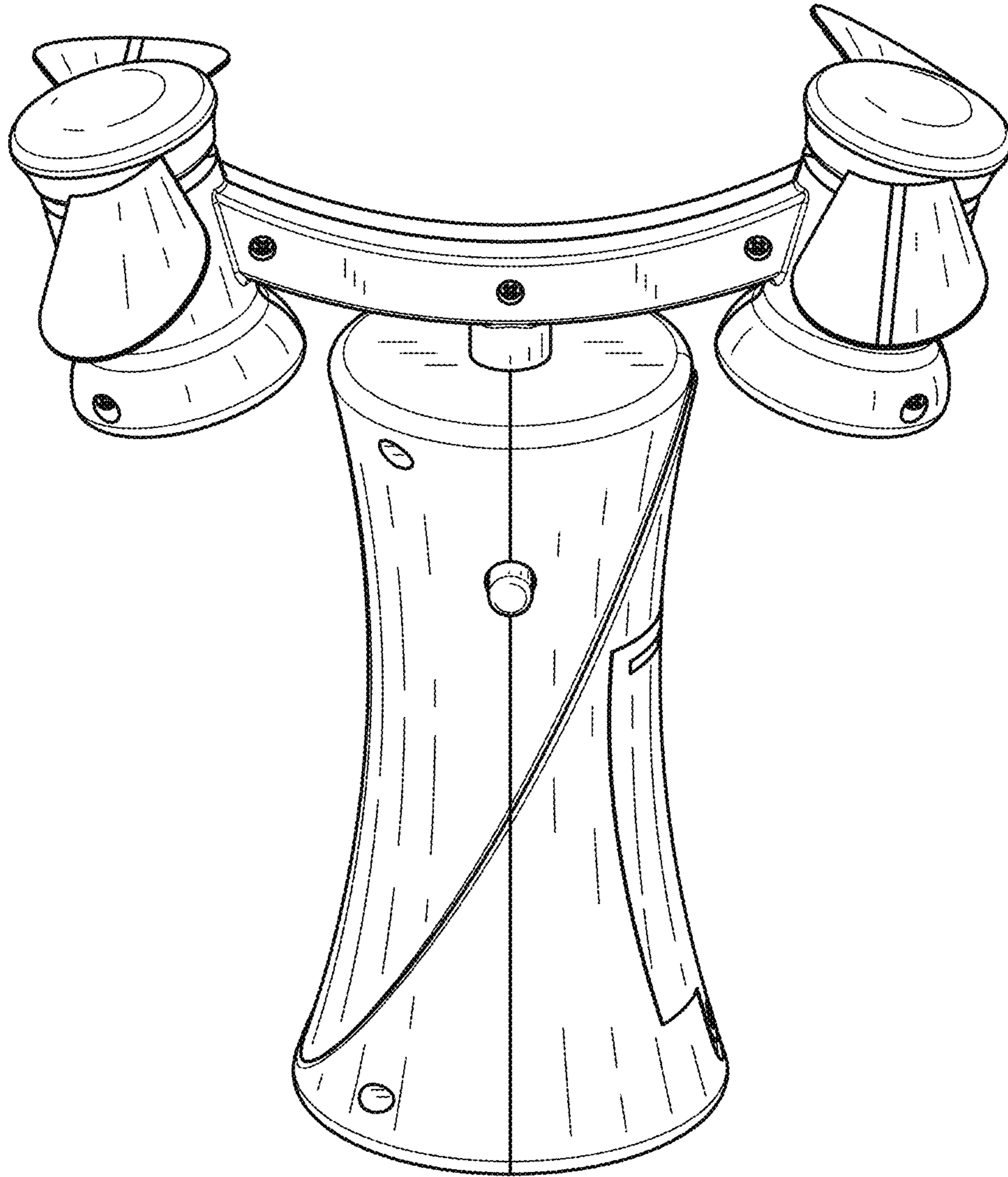


Fig.1

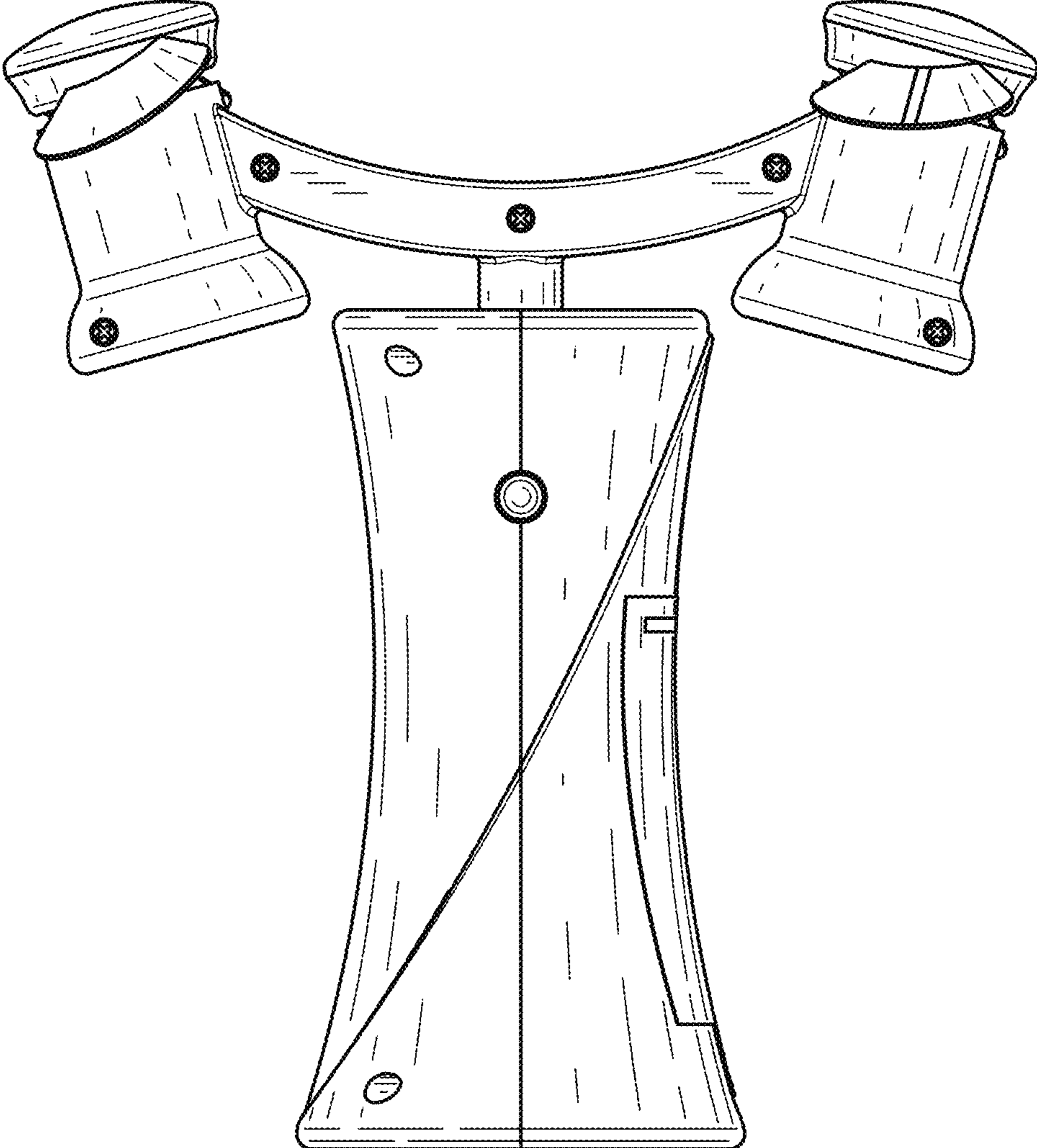


Fig.2

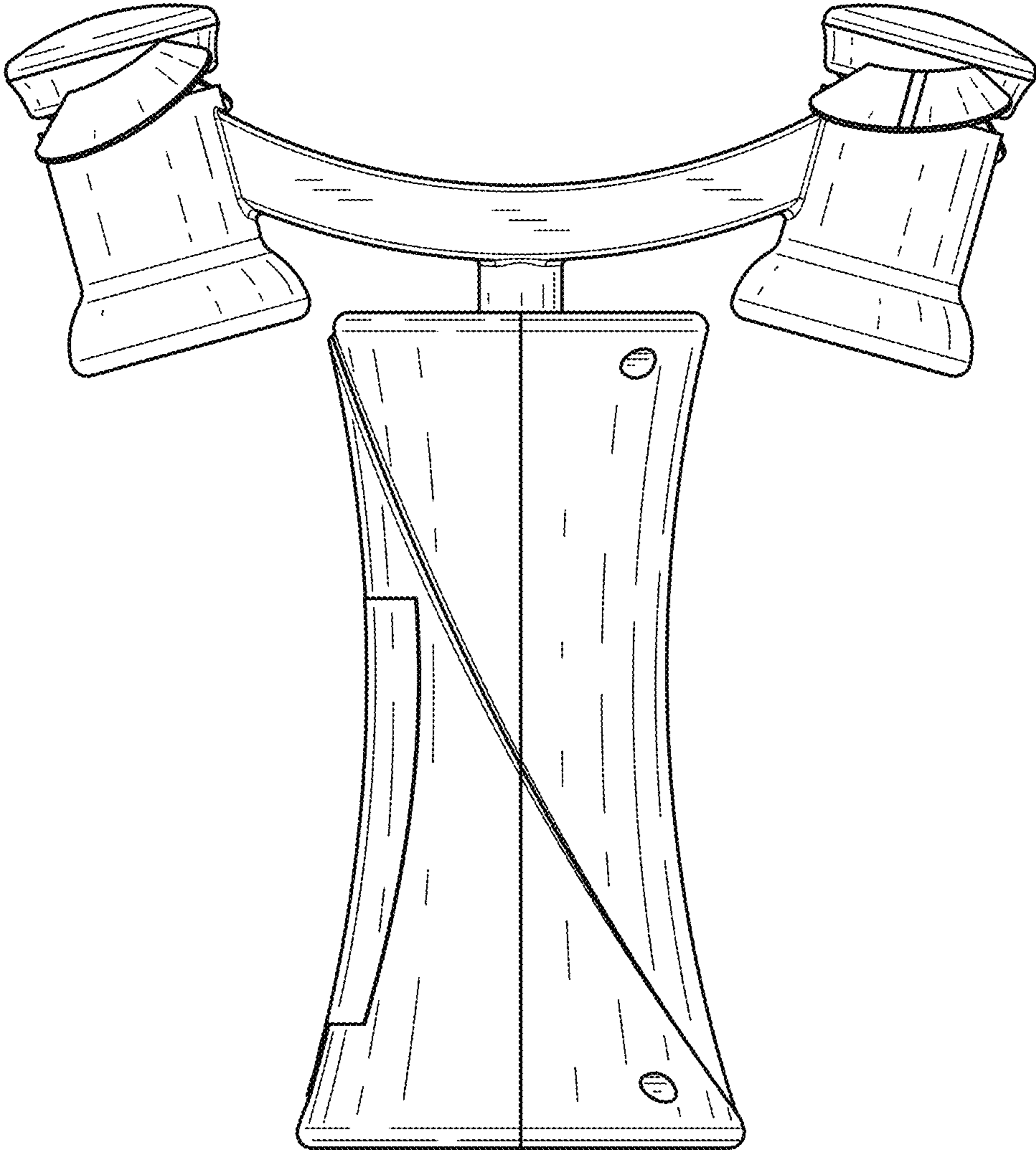


Fig.3

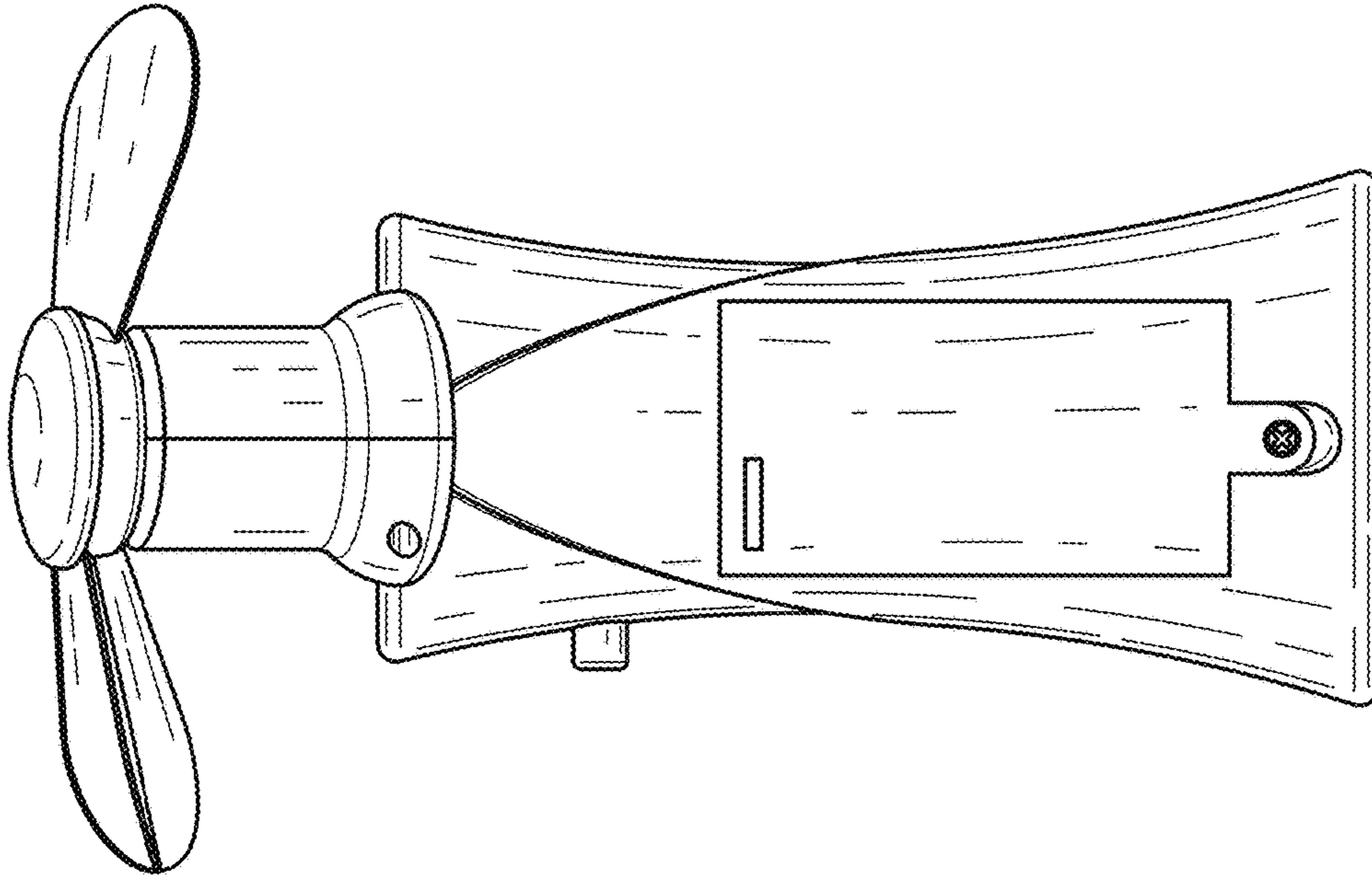


Fig.5

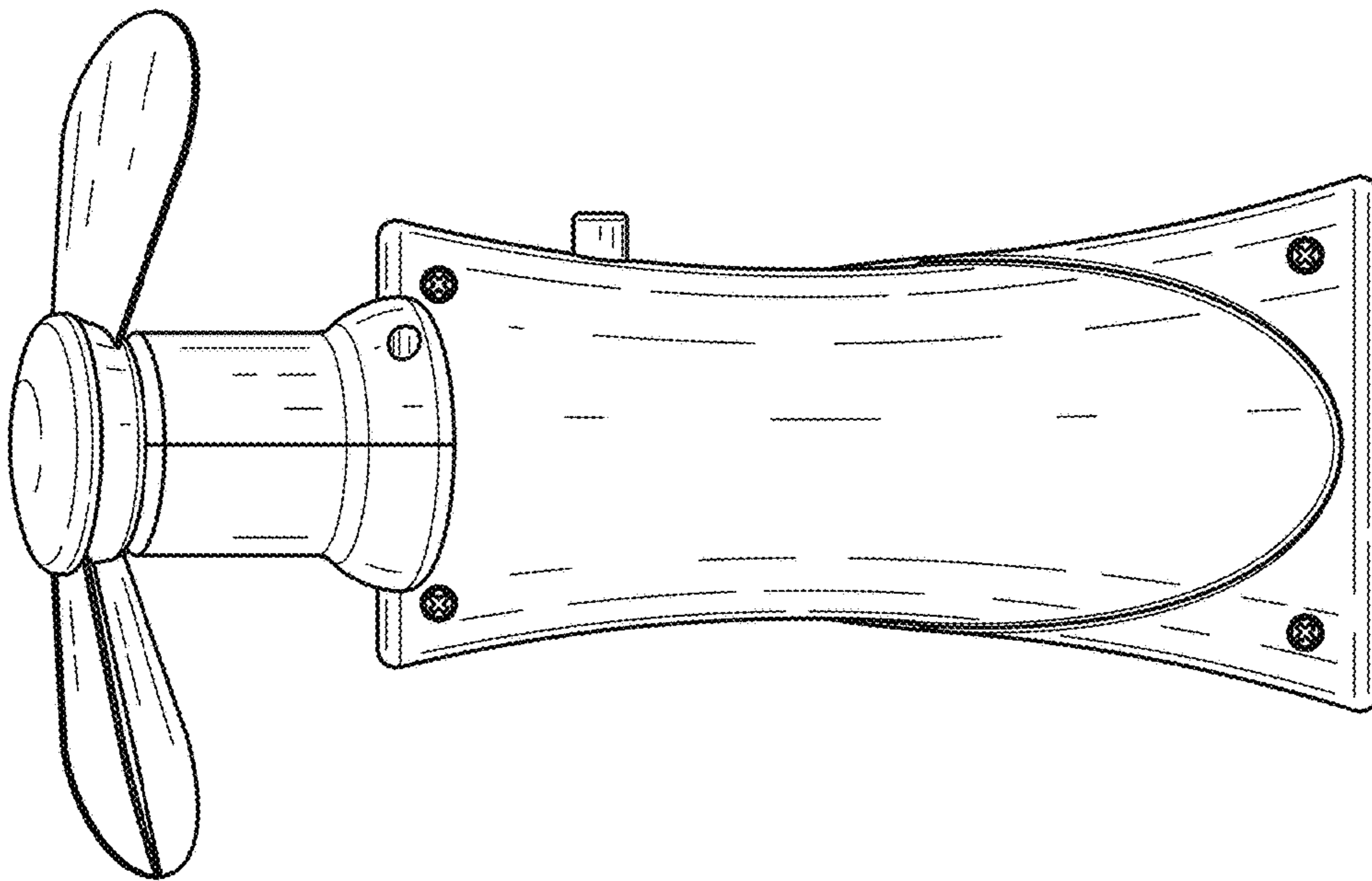


Fig.4

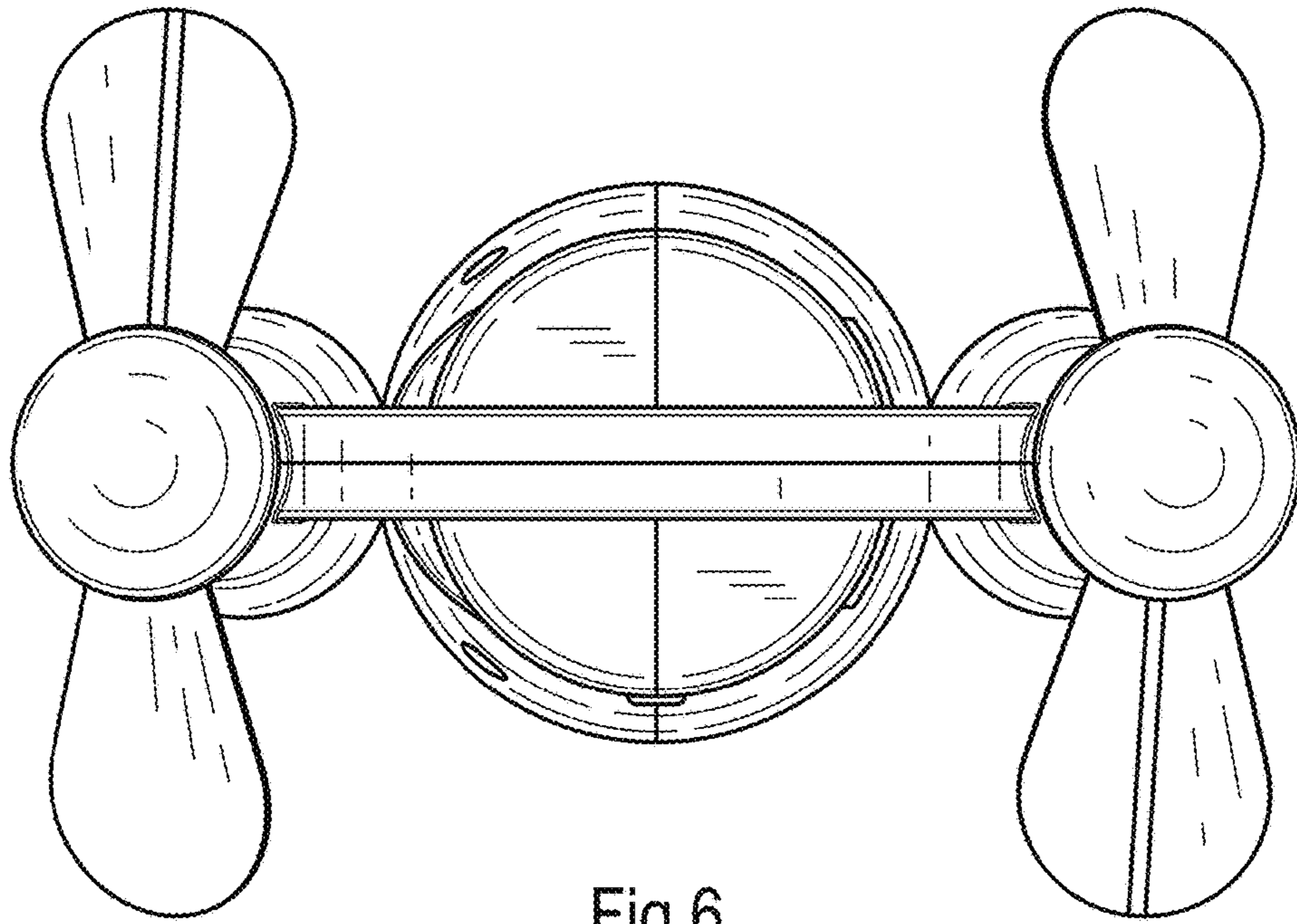


Fig. 6

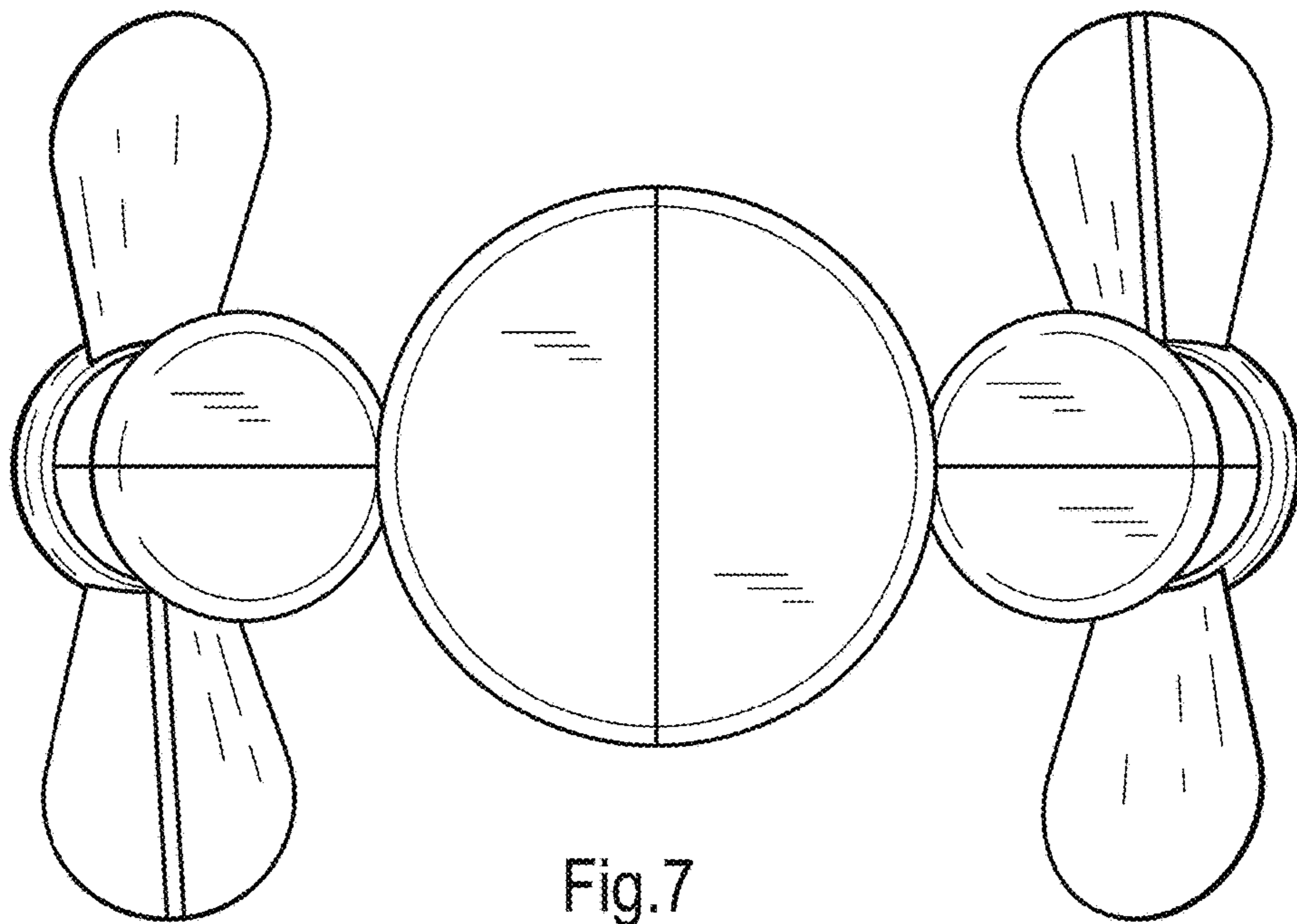


Fig. 7

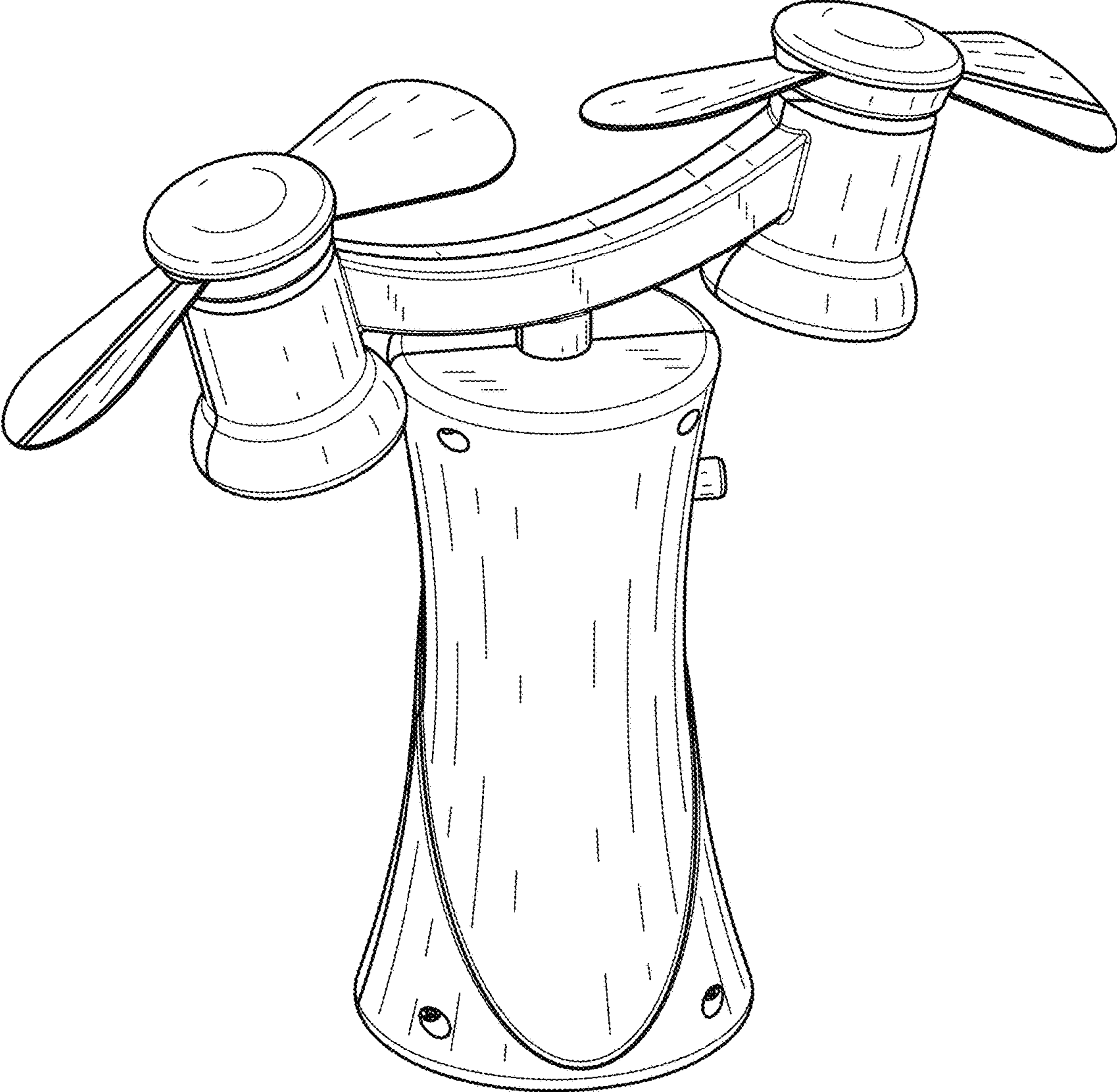


Fig.8

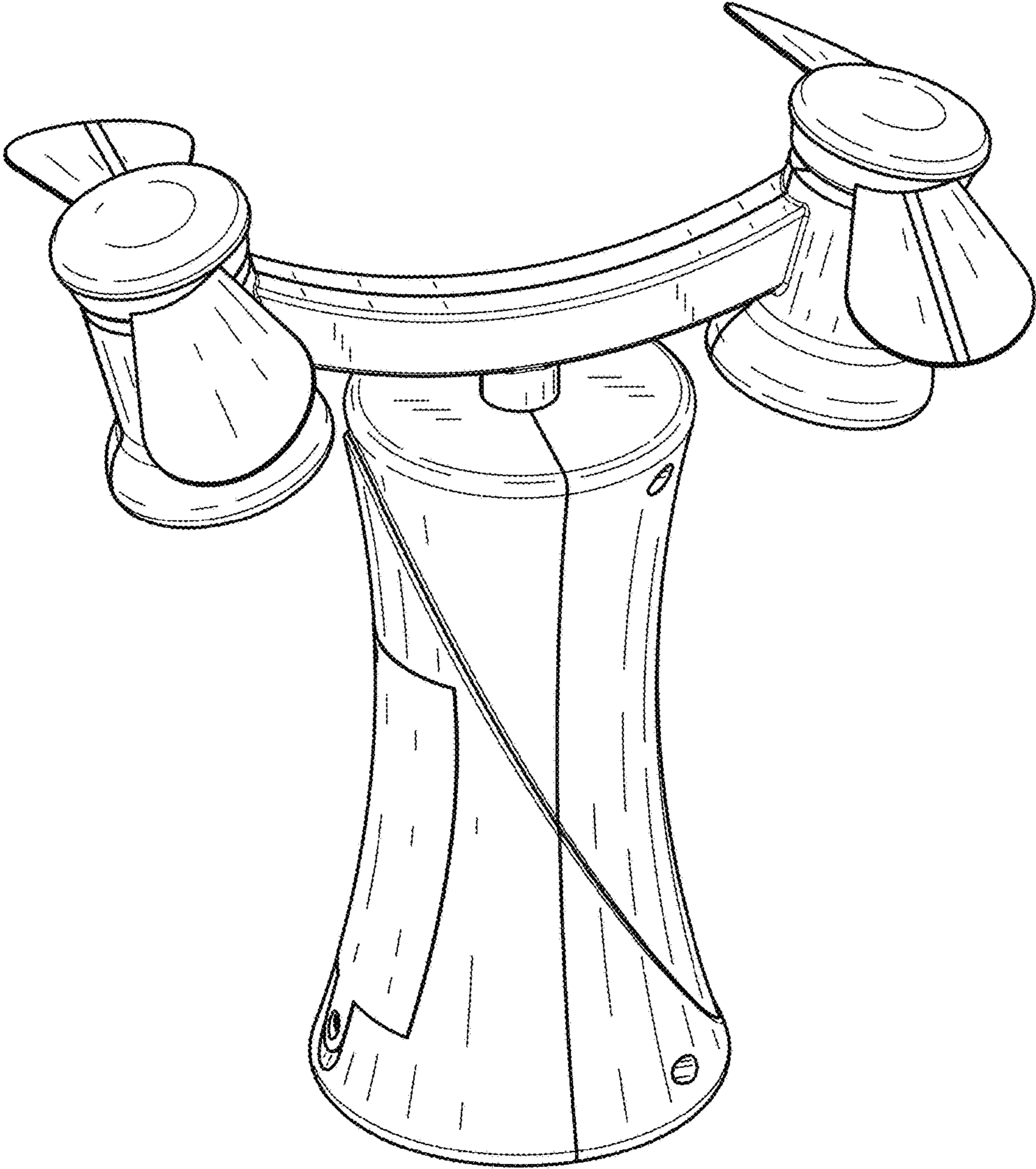


Fig.9