



US00D776202S

(12) **United States Design Patent** (10) **Patent No.:** **US D776,202 S**
Zenoff (45) **Date of Patent:** **** Jan. 10, 2017**

(54) **ELECTRONIC DISPLAY/SCREEN WITH SUCTION CUPS**

(71) Applicant: **Andrew Zenoff**, San Anselmo, CA (US)

(72) Inventor: **Andrew Zenoff**, San Anselmo, CA (US)

(73) Assignee: **Beam Authentic, LLC**, San Anselmo, CA (US)

(**) Term: **14 Years**

(21) Appl. No.: **29/500,551**

(22) Filed: **Aug. 26, 2014**

(51) **LOC (10) Cl.** **20-03**

(52) **U.S. Cl.**
USPC **D20/42**

(58) **Field of Classification Search**
USPC D20/10, 19, 39-42, 99; D10/109.1, D10/109.2, 113.4; D6/300, 309; D12/182, D12/183; D14/126, 374
CPC G09F 3/02; G09F 3/203; G09F 7/00; G09F 7/12; G09F 7/14; G09F 7/16; G09F 2007/122; G09F 9/00; G09F 13/00; G09F 13/18; G09F 13/22; G09F 2013/1895; G09F 15/00; A45D 42/24
See application file for complete search history.

(56) **References Cited**

U.S. PATENT DOCUMENTS

65,871 A	6/1867	Browne
260,332 A	6/1882	Simonson
1,190,427 A	7/1916	Kromer, Jr.
1,215,311 A	2/1917	Miller
D58,303 S	7/1921	Kate
1,427,891 A	9/1922	Ziegler
D62,863 S	8/1923	Isaac
1,481,975 A	1/1924	Bender
D64,441 S	4/1924	Henry

1,502,160 A	7/1924	Reinthal
D66,331 S	12/1924	Pegg
1,560,073 A	11/1925	Bontempi et al.
1,566,663 A	12/1925	Finkelstein
1,582,812 A	4/1926	Avin
1,606,798 A	11/1926	Karger
1,616,475 A	2/1927	Tracey
D79,398 S	9/1929	Edward
D115,046 S	5/1939	Marks
D130,393 S	11/1941	Paul et al.
2,682,667 A	7/1954	Michelstetter

(Continued)

FOREIGN PATENT DOCUMENTS

CN	203327079 U	12/2013
WO	WO-2012061438 A2	5/2012
WO	WO-2014054211 A1	4/2014

OTHER PUBLICATIONS

U.S. Appl. No. 29/499,861, filed Aug. 19, 2014, Zenoff.

(Continued)

Primary Examiner — Mary Ann Calabrese
(74) *Attorney, Agent, or Firm* — Wilson Sonsini Goodrich & Rosati

(57) **CLAIM**

The ornamental design for an electronic display/screen with suction cups, as shown.

DESCRIPTION

FIG. 1 shows a perspective view of an electronic display/screen with suction cups.

FIG. 2 shows a front elevational view thereof.

FIG. 3 shows a rear elevational view thereof.

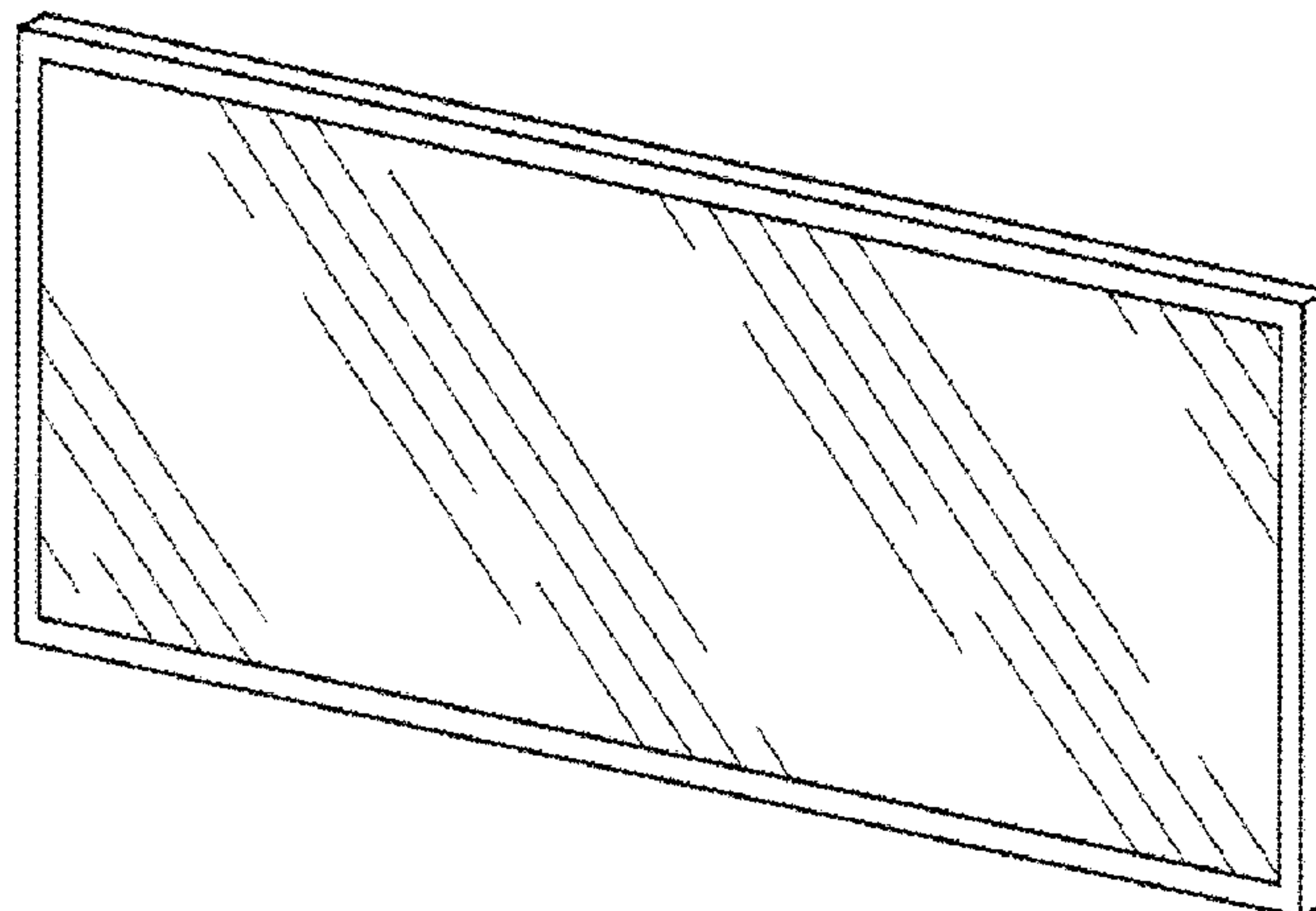
FIG. 4 shows a side elevational view thereof.

FIG. 5 shows a top plan view thereof; and,

FIG. 6 shows another front elevational view thereof.

In the drawings, the broken lines illustrate environment and form no part of the claimed design.

1 Claim, 3 Drawing Sheets



(56)

References Cited

U.S. PATENT DOCUMENTS

3,346,153	A	10/1967	Galasso		6,820,281	B2	11/2004	Mariland et al.
D221,719	S *	8/1971	Hoskins	D20/42	D502,589	S	3/2005	Lee
3,895,797	A	7/1975	Moore		D509,947	S	9/2005	Fortune
D251,336	S	3/1979	Getgey		6,948,189	B2	9/2005	Early
D263,092	S	2/1982	Fay		D517,283	S	3/2006	Shin et al.
4,529,278	A *	7/1985	Nugent	G02B 7/182 248/467	D523,612	S	6/2006	Steger
4,535,478	A	8/1985	Zufle		D539,012	S	3/2007	Evans
4,710,981	A	12/1987	Sanchez		D543,338	S	5/2007	Park
4,827,384	A	5/1989	Von Schlemmer		7,219,374	B2	5/2007	Cho
4,834,688	A	5/1989	Jones		D548,657	S *	8/2007	Eskandry D12/183
4,873,726	A	10/1989	Tapia		D558,431	S	1/2008	Pritchett
4,924,613	A	5/1990	Levin		D558,955	S	1/2008	Taylor
5,054,127	A	10/1991	Zevchak		7,331,064	B1	2/2008	Quintal
5,099,594	A *	3/1992	Reas	G09F 21/04 211/89.01	7,424,751	B1	9/2008	Miller
5,131,177	A *	7/1992	Sy, Jr.	G09F 3/203 40/591	D577,879	S	10/2008	Jones
5,167,559	A	12/1992	Power-Fardy		7,490,364	B2	2/2009	Kim
D333,030	S	2/1993	Wilkes		D600,879	S	9/2009	Accardi
5,305,538	A *	4/1994	Kanzelberger	B44C 3/08 156/63	D603,144	S	11/2009	South
D350,221	S	9/1994	Van Doren		D603,585	S	11/2009	Capriola
5,359,733	A	11/1994	Brannon et al.		7,621,000	B1	11/2009	Fulton
5,437,062	A	8/1995	Douglas		D607,627	S	1/2010	Kowalczyk
5,452,479	A	9/1995	Mostert		D608,531	S	1/2010	Kronenberger
5,454,120	A	10/1995	Rowlands		D621,590	S	8/2010	Martin
5,462,471	A	10/1995	Power-Fardy		D624,286	S	9/2010	Hall
5,465,426	A	11/1995	Beaton		D625,082	S	10/2010	Jones
D370,354	S *	6/1996	Deaknye	D6/300	D630,822	S	1/2011	Thomas
5,548,847	A	8/1996	Spicijaric		D635,336	S	4/2011	Alger
5,621,914	A	4/1997	Ramone et al.		D635,976	S	4/2011	Lee et al.
5,632,044	A	5/1997	Sloot		D636,562	S	4/2011	Lam et al.
D383,892	S	9/1997	Virzi		7,974,432	B1	7/2011	Ryan
D389,754	S *	1/1998	Skubala	D10/57	7,992,224	B2	8/2011	Tai
D396,546	S	8/1998	Marrs		D647,286	S	10/2011	Malek
D397,239	S	8/1998	Marrs		D649,744	S	12/2011	Weinshanker
5,794,267	A	8/1998	Wallace		D657,424	S *	4/2012	Podd D20/42
D401,738	S	12/1998	Scerbo		D659,351	S	5/2012	Benkendorfer
D403,491	S	1/1999	Wyatt		D660,554	S	5/2012	Blackshear
D405,239	S	2/1999	Kostinko		D670,068	S	11/2012	Bomze
D406,687	S	3/1999	Thorpe		D671,716	S	12/2012	Lam et al.
D407,190	S	3/1999	Day		8,364,220	B2	1/2013	Sandmore
5,943,698	A	8/1999	Blanks		8,453,265	B2	6/2013	Forte et al.
5,960,476	A	10/1999	Danzy		8,458,820	B2	6/2013	Cleva
D418,279	S	1/2000	Day		8,626,586	B1	1/2014	Biere et al.
6,022,599	A *	2/2000	Rietveld	A47G 1/06 40/718	D699,928	S	2/2014	Tien
D424,282	S	5/2000	Crumpton et al.		D701,504	S	3/2014	Christopher et al.
D427,751	S	7/2000	Richlin		8,677,515	B2	3/2014	Ishihara et al.
6,154,992	A	12/2000	Lee		D703,069	S	4/2014	Adams et al.
D438,374	S	3/2001	Hayman		D704,925	S	5/2014	Cho
D444,618	S	7/2001	Wilson		D705,527	S	5/2014	Clark
D447,318	S	9/2001	Gath		D709,675	S	7/2014	Cho
6,308,445	B1 *	10/2001	Porraro	G09F 7/12 283/81	D710,220	S	8/2014	Daniel
D452,767	S	1/2002	Balloni et al.		D711,002	S	8/2014	Ohnemus et al.
D459,059	S	6/2002	Park		D712,635	S	9/2014	Rivas
6,408,443	B1	6/2002	Park		D713,622	S	9/2014	Steel
D460,604	S	7/2002	Sullivan, Jr.		D714,031	S	9/2014	Javits, Jr.
6,470,499	B1	10/2002	Joiner		8,869,312	B2	10/2014	Tuohy et al.
D472,695	S	4/2003	Lee		D717,019	S	11/2014	Van Dalen
D473,039	S	4/2003	Erspamer		D718,731	S *	12/2014	Lee D14/126
D482,185	S	11/2003	Park		8,898,820	B2	12/2014	Sokolowski et al.
D483,173	S	12/2003	Harris et al.		D721,874	S	2/2015	Robbins et al.
D483,928	S	12/2003	Mansell et al.		8,950,012	B2	2/2015	Ilges et al.
6,672,748	B2 *	1/2004	Baldwin	G09F 13/00 362/222	D729,650	S	5/2015	Phillips et al.
6,751,805	B1	6/2004	Austion		D733,130	S	6/2015	Kim et al.
D494,745	S	8/2004	Kronenberger		D734,329	S	7/2015	Lee
D496,146	S	9/2004	Appleberry		D736,768	S	8/2015	Kuwabara et al.
D496,775	S	10/2004	Tanner		D760,475	S	7/2016	Zenoff
D497,648	S *	10/2004	Carlson	D20/10	D761,912	S	7/2016	Zenoff
6,810,533	B1	11/2004	Nahabedian et al.		2001/0034894	A1	11/2001	Godfrey et al.
					2003/0073412	A1	4/2003	Meade
					2003/0221234	A1	12/2003	Wang
					2004/0221368	A1	11/2004	Okot
					2005/0132470	A1	6/2005	Wong
					2006/0112707	A1	6/2006	Tu
					2006/0117458	A1	6/2006	Ishihara et al.
					2006/0206985	A1	9/2006	Proctor
					2006/0209218	A1	9/2006	Lee et al.
					2007/0056078	A1	3/2007	Tseng
					2007/0182664	A1	8/2007	Himmele
					2007/0247312	A1	10/2007	Sekine
					2008/0000013	A1	1/2008	Talley

(56)

References Cited

U.S. PATENT DOCUMENTS

2009/0251888	A1	10/2009	Douglas	
2009/0306485	A1	12/2009	Bell	
2009/0310290	A1	12/2009	Tennent	
2010/0058514	A1	3/2010	Koh	
2010/0095573	A1	4/2010	Lifshitz	
2010/0100004	A1	4/2010	Van	
2010/0131613	A1	5/2010	Jonsson et al.	
2010/0299979	A1	12/2010	Lamere	
2010/0306808	A1	12/2010	Neumeier et al.	
2010/0313334	A1	12/2010	Moy	
2011/0041238	A1	2/2011	Brzoska	
2011/0094016	A1	4/2011	Paulson	
2011/0187681	A1	8/2011	Kim et al.	
2011/0246908	A1	10/2011	Akram et al.	
2011/0295749	A1	12/2011	Scalisi	
2012/0005809	A1	1/2012	Johnson	
2012/0089437	A1	4/2012	Amento et al.	
2012/0163269	A1	6/2012	Shuster et al.	
2012/0210616	A1*	8/2012	Laraque	G09F 21/04 40/591
2012/0256902	A1	10/2012	Tam et al.	
2012/0264492	A1	10/2012	Stewart	
2012/0324076	A1	12/2012	Zerr et al.	
2013/0188322	A1	7/2013	Lowe	
2013/0222270	A1	8/2013	Winkler et al.	
2013/0333095	A1	12/2013	Dudick	
2014/0053316	A1	2/2014	Su	
2014/0098009	A1	4/2014	Prest et al.	
2014/0111323	A1	4/2014	Strout et al.	
2014/0121539	A1	5/2014	Chatterjee et al.	
2014/0160055	A1	6/2014	Margolis et al.	
2014/0173807	A1	6/2014	Waters	
2014/0176417	A1	6/2014	Young et al.	
2015/0033445	A1	2/2015	Warner et al.	
2015/0096104	A1	4/2015	Kim	
2015/0146903	A1	5/2015	Mariasov	
2015/0164166	A1	6/2015	Tsai	
2015/0250245	A1	9/2015	Waters	

OTHER PUBLICATIONS

U.S. Appl. No. 29/499,864, filed Aug. 19, 2014, Zenoff.
 U.S. Appl. No. 29/499,867, filed Aug. 19, 2014, Zenoff.
 U.S. Appl. No. 29/499,866, filed Aug. 19, 2014, Zenoff.
 U.S. Appl. No. 29/500,139, filed Aug. 21, 2014, Zenoff.
 U.S. Appl. No. 29/500,381, filed Aug. 25, 2014, Zenoff.
 U.S. Appl. No. 29/500,384, filed Aug. 25, 2014, Zenoff.
 U.S. Appl. No. 29/500,387, filed Aug. 25, 2014, Zenoff.
 U.S. Appl. No. 29/500,391, filed Aug. 25, 2014, Zenoff.
 U.S. Appl. No. 29/500,393, filed Aug. 25, 2014, Zenoff.
 U.S. Appl. No. 29/500,399, filed Aug. 25, 2014, Zenoff.
 U.S. Appl. No. 29/500,405, filed Aug. 25, 2014, Zenoff.
 U.S. Appl. No. 29/500,407, filed Aug. 25, 2014, Zenoff.
 U.S. Appl. No. 29/500,408, filed Aug. 25, 2014, Zenoff.
 U.S. Appl. No. 29/500,504, filed Aug. 26, 2014, Zenoff.
 U.S. Appl. No. 29/500,506, filed Aug. 26, 2014, Zenoff.
 U.S. Appl. No. 29/500,509, filed Aug. 26, 2014, Zenoff.

U.S. Appl. No. 29/500,512, filed Aug. 26, 2014, Zenoff.
 U.S. Appl. No. 29/500,514, filed Aug. 26, 2014, Zenoff.
 U.S. Appl. No. 29/500,546, filed Aug. 26, 2014, Zenoff.
 U.S. Appl. No. 29/500,553, filed Aug. 26, 2014, Zenoff.
 U.S. Appl. No. 29/500,555, filed Aug. 26, 2014, Zenoff.
 U.S. Appl. No. 29/500,557, filed Aug. 26, 2014, Zenoff.
 U.S. Appl. No. 29/500,558, filed Aug. 26, 2014, Zenoff.
 U.S. Appl. No. 29/500,562, filed Aug. 26, 2014, Zenoff.
 U.S. Appl. No. 29/500,564, filed Aug. 26, 2014, Zenoff.
 Alibaba.com. Mobile billboard advertising led truck new technology product in china mobile truck led tv screen. Available at http://www.alibaba.com/product-detail/mobile-billboard-advertising-led-truck-new_60181386676.html. Accessed on Jul. 24, 2015.
 webbozz.com. Stylish Circular Display Smart Watch—Motorola Moto 360. Feb. 2013. Available at <http://www.webbozz.com/stylish-circular-display-smart-watch-motorola-moto-360>. Accessed on Jul. 23, 2015.
Ex parte Quayle Office action dated Dec. 3, 2015 for U.S. Appl. No. 29/500,562.
 Notice of allowance dated Nov. 6, 2015 for U.S. Appl. No. 29/500,393.
 Notice of allowance dated Nov. 6, 2015 for U.S. Appl. No. 29/500,399.
 Notice of allowance dated Nov. 24, 2015 for U.S. Appl. No. 29/499,866.
 Office action dated Oct. 7, 2015 for U.S. Appl. No. 29/500,564.
 Office action dated Oct. 8, 2015 for U.S. Appl. No. 29/500,405.
 Office action dated Oct. 28, 2015 for U.S. Appl. No. 29/500,514.
 Office action dated Nov. 5, 2015 for U.S. Appl. No. 29/500,407.
 Office action dated Nov. 9, 2015 for U.S. Appl. No. 29/500,408.
 Office action dated Nov. 12, 2015 for U.S. Appl. No. 29/499,864.
 Office action dated Nov. 16, 2015 for U.S. Appl. No. 29/499,867.
 Office action dated Nov. 19, 2015 for U.S. Appl. No. 29/499,861.
 Office action dated Nov. 23, 2015 for U.S. Appl. No. 29/500,557.
 Office action dated Nov. 24, 2015 for U.S. Appl. No. 29/500,139.
 Notice of allowance dated Jun. 14, 2016 for U.S. Appl. No. 29/500,509 of inventor Andrew Zenoff.
 Notice of allowance dated Jun. 15, 2016 for U.S. Appl. No. 29/500,555 of inventor Andrew Zenoff.
 Notice of allowance dated Jun. 22, 2016 for U.S. Appl. No. 29/500,384 of inventor Andrew Zenoff.
 Notice of allowance dated Jun. 22, 2016 for U.S. Appl. No. 29/500,387 of inventor Andrew Zenoff.
 Notice of allowance dated Jun. 22, 2016 for U.S. Appl. No. 29/500,391 of inventor Andrew Zenoff.
 Notice of allowance dated Jul. 15, 2016 for U.S. Appl. No. 29/500,514 of inventor Andrew Zenoff.
 Office action dated Aug. 2, 2016 for U.S. Appl. No. 29/499,861 of inventor Andrew Zenoff.
 Office action dated Aug. 2, 2016 for U.S. Appl. No. 29/499,864 of inventor Andrew Zenoff.
 Office action dated Aug. 10, 2016 for U.S. Appl. No. 29/499,867 of inventor Andrew Zenoff.
 Office action dated Aug. 12, 2016 for U.S. Appl. No. 29/500,557 of inventor Andrew Zenoff.
 Office action dated Aug. 12, 2016 for U.S. Appl. No. 29/500,139 of inventor Andrew Zenoff.

* cited by examiner

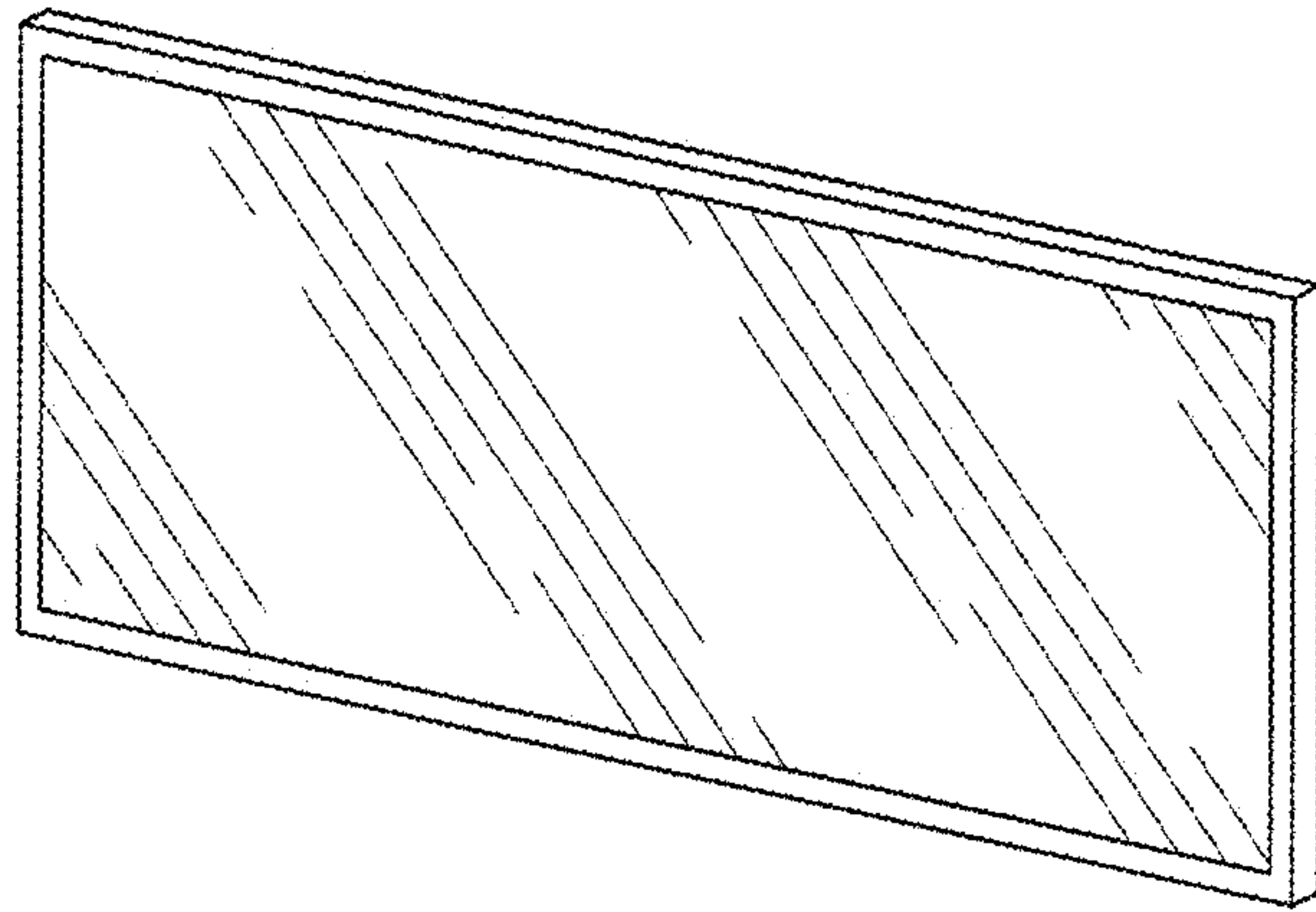


FIG. 1

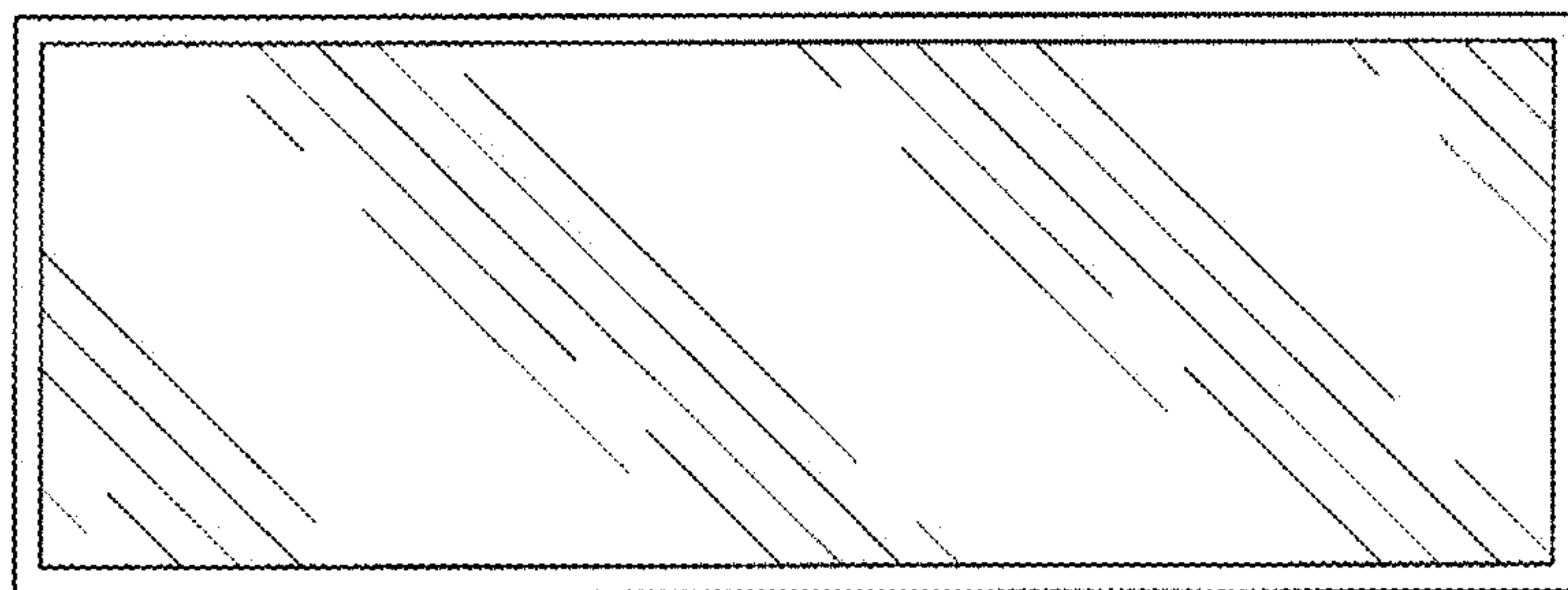


FIG. 2

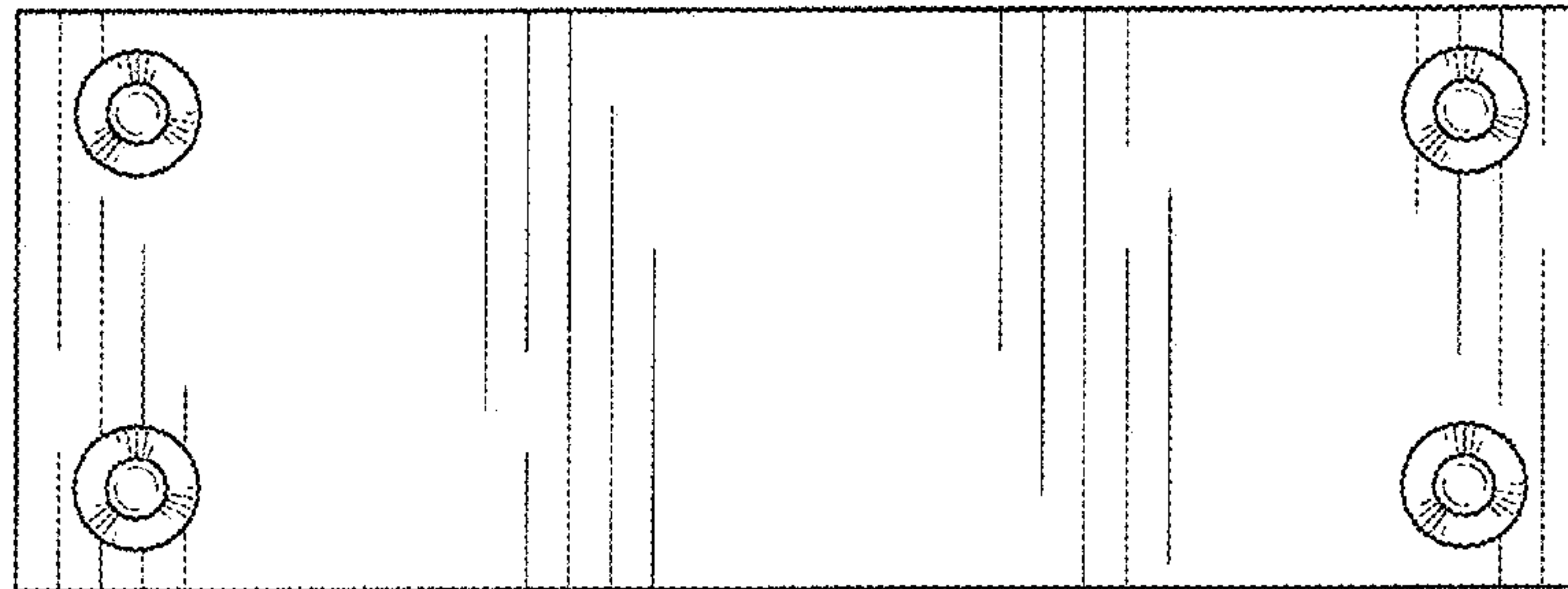


FIG. 3



FIG. 4



FIG. 5

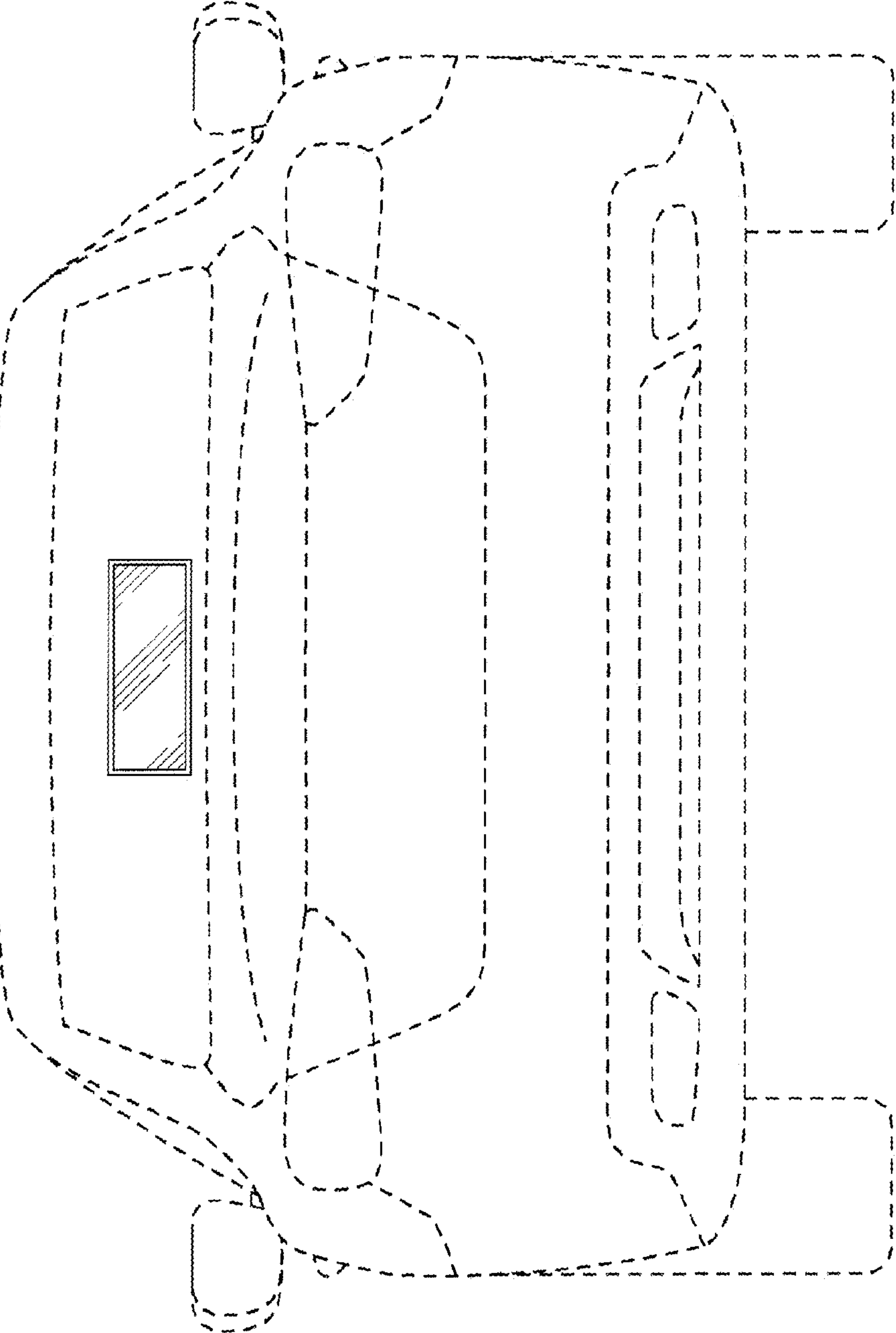


FIG. 6