



US00D776198S

(12) **United States Design Patent**
Nardangeli et al.

(10) **Patent No.:** **US D776,198 S**

(45) **Date of Patent:** **** Jan. 10, 2017**

(54) **PEN**

(71) Applicant: **J.S. Staedtler GmbH & Co. KG,**
Nürnberg (DE)

(72) Inventors: **Marc Nardangeli, Burlington (CA);**
Matthew Hughson, St. Thomas (CA)

(73) Assignee: **STAEDTLER MARS GMBH & CO.**
KG, Nürnberg (DE)

(**) Term: **14 Years**

(21) Appl. No.: **29/508,101**

(22) Filed: **Nov. 3, 2014**

(30) **Foreign Application Priority Data**

May 6, 2014 (EM) 002 458 471-0001
May 6, 2014 (EM) 002 458 471-0002

(51) **LOC (10) Cl.** **19-06**

(52) **U.S. Cl.**
USPC **D19/169; D19/916**

(58) **Field of Classification Search**
USPC D14/411; D19/115-204
CPC B43K 5/00; B43K 5/005; B43K 7/00;
B43K 7/10; B43K 7/12; B43K 8/04
See application file for complete search history.

(56) **References Cited**

U.S. PATENT DOCUMENTS

D89,449 S * 3/1933 Parker D19/163
1,989,351 A * 1/1935 Crowell B43K 5/12
220/662

D115,288 S * 6/1939 Fish D19/174
D170,539 S * 10/1953 Lovejoy D19/174
D416,940 S * 11/1999 Ito D19/166
D482,397 S * 11/2003 Hui D19/166
D500,789 S * 1/2005 Mandel D19/135
D530,747 S * 10/2006 Leibeck D19/166
D545,364 S * 6/2007 Ternovits D19/163
D577,064 S * 9/2008 Briggel D19/170
D590,877 S * 4/2009 Ma D19/121
D656,990 S * 4/2012 Bruzzi D19/150
D708,670 S * 7/2014 Zhang D19/172
D715,359 S * 10/2014 Morales D19/163
D722,645 S * 2/2015 Kimura D19/163

* cited by examiner

Primary Examiner — Elizabeth Albert

(74) *Attorney, Agent, or Firm* — Lucas & Mercanti, LLP

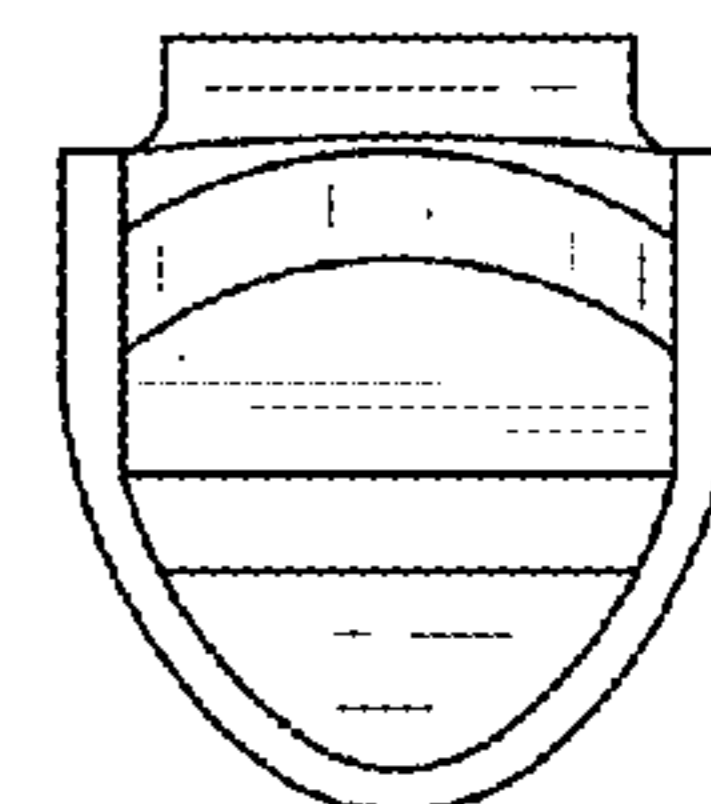
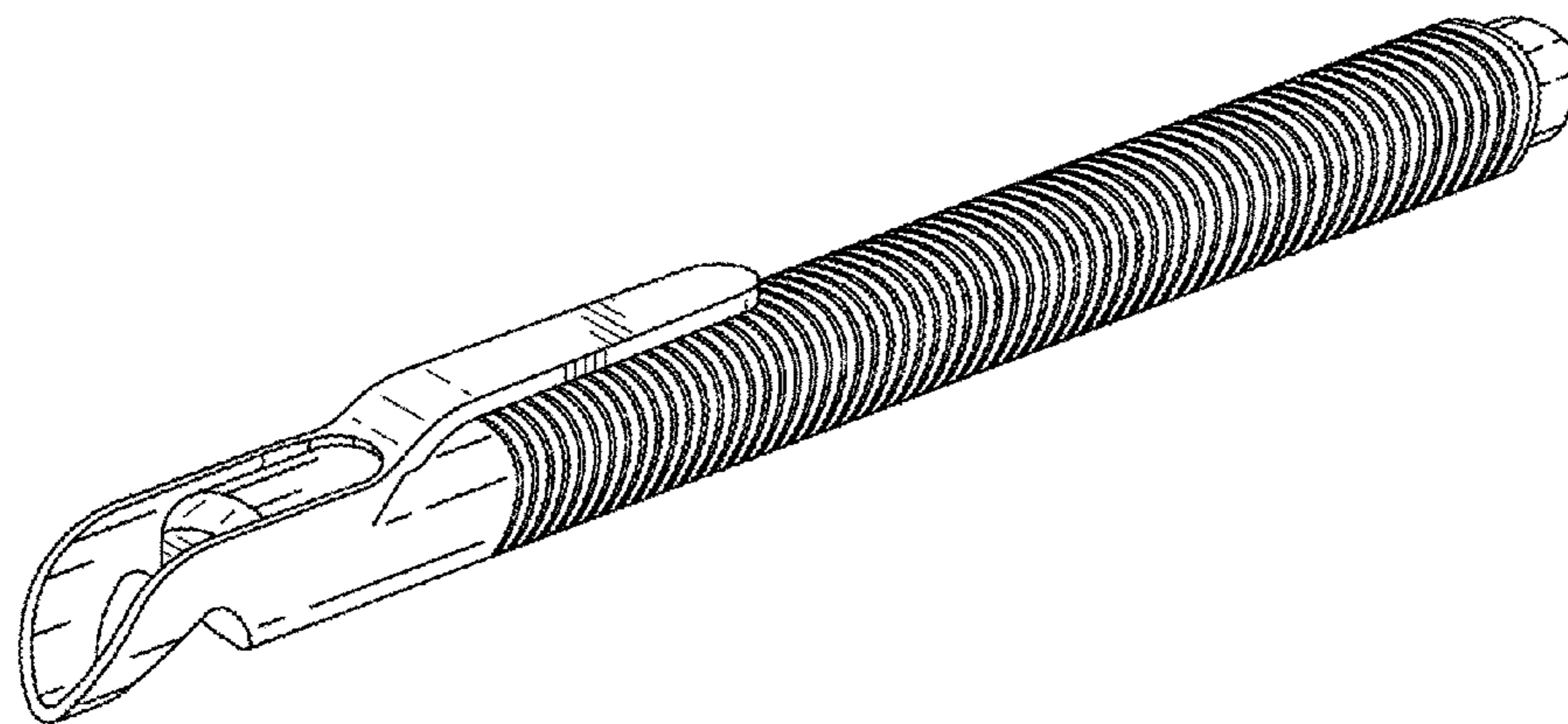
(57) **CLAIM**

The ornamental design for a pen, as shown and described.

DESCRIPTION

FIG. 1 is a perspective view of a pen showing our new design;
FIG. 2 is a front view thereof;
FIG. 3 is a side view thereof, the other side being a mirror image of the side shown;
FIG. 4 is a rear view thereof;
FIG. 5 is a bottom end view thereof; and,
FIG. 6 is a top end view thereof.
The broken lines in FIG. 6 are included to show a portion of the pen that forms no part of the claimed design.

1 Claim, 3 Drawing Sheets



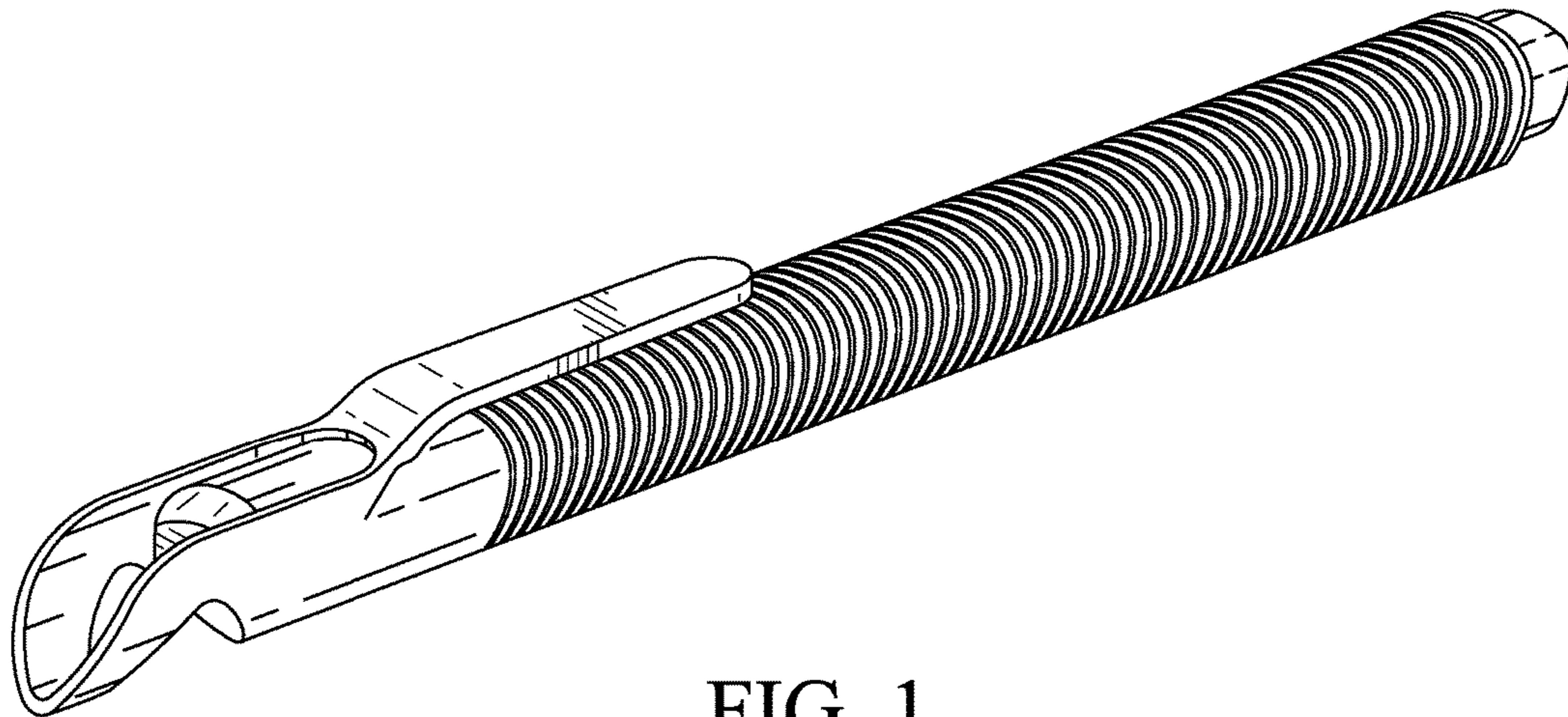


FIG. 1

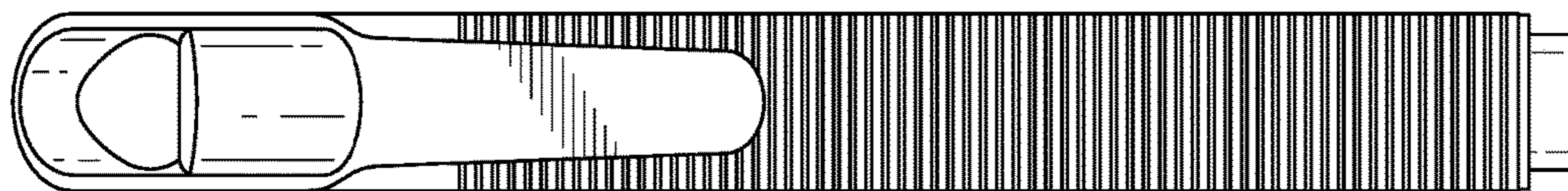


FIG. 2

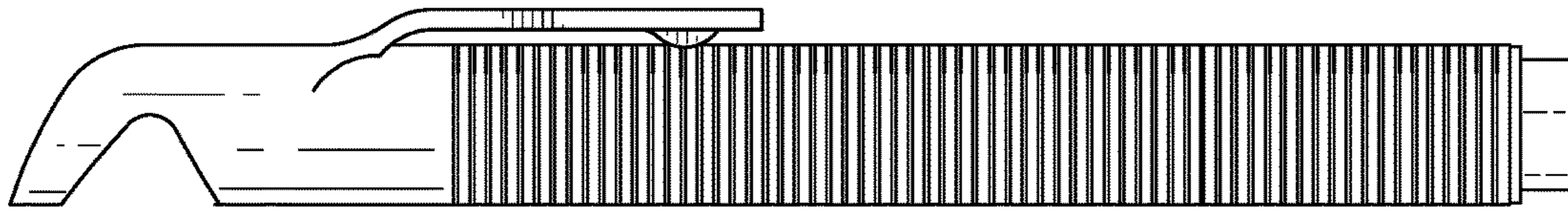


FIG. 3

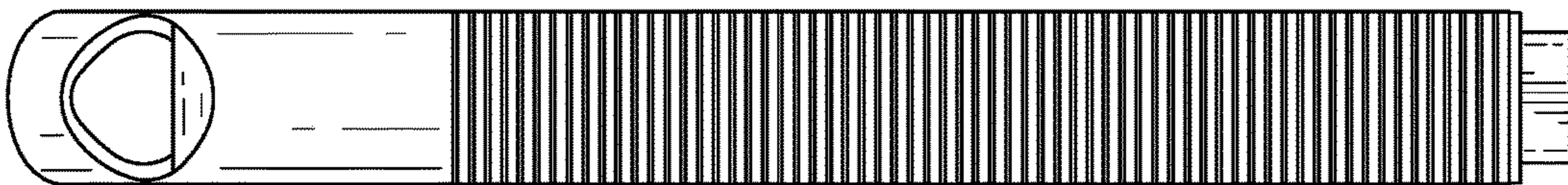


FIG. 4

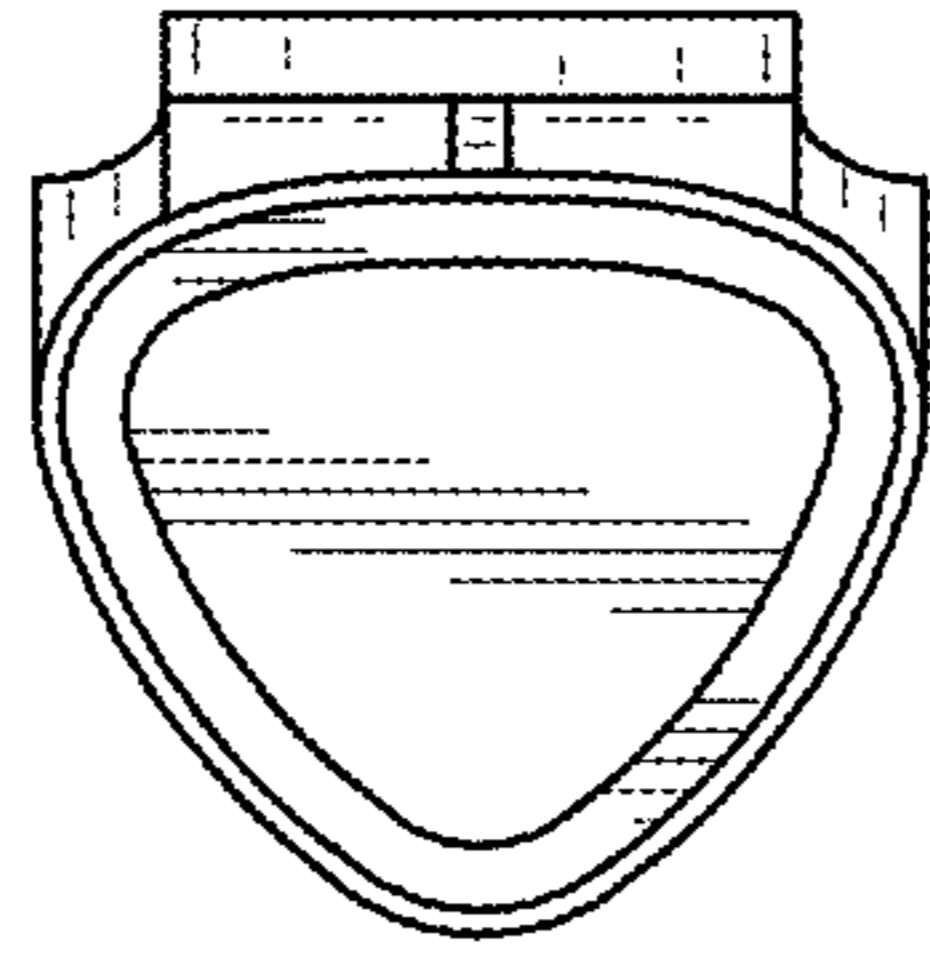


FIG. 5

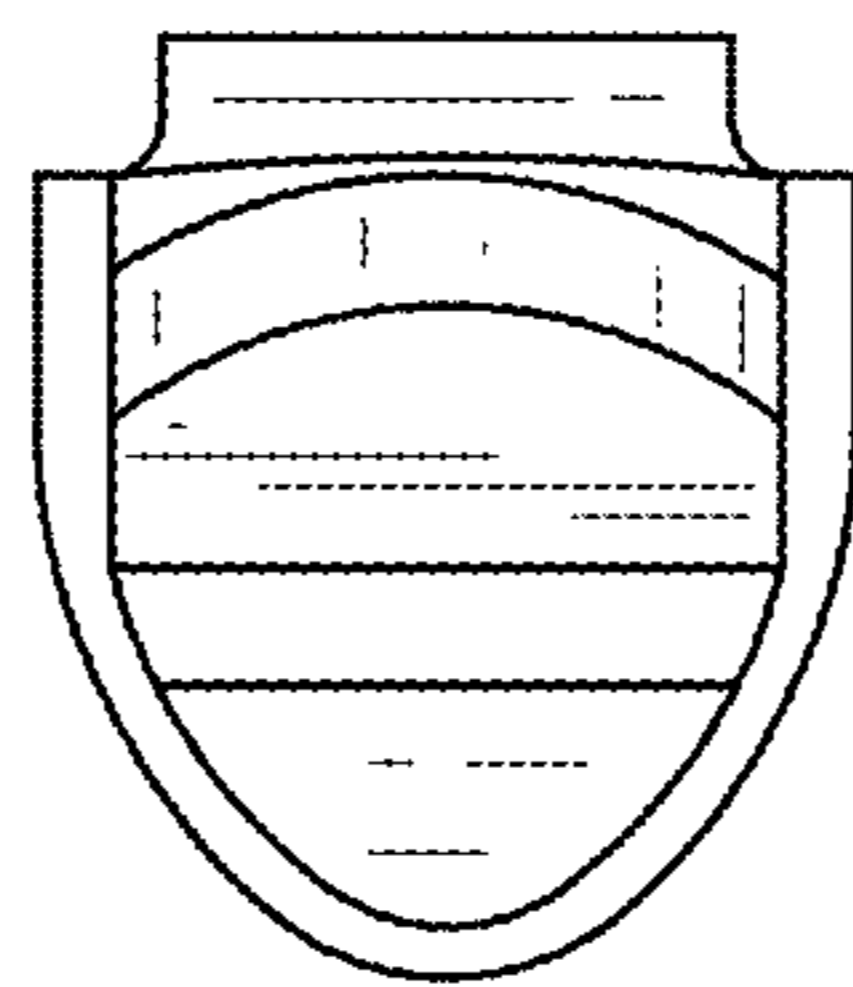


FIG. 6