



US00D776195S

(12) **United States Design Patent** (10) **Patent No.:** **US D776,195 S**
Janosik (45) **Date of Patent:** **** Jan. 10, 2017**

(54) **PEN HOLDER**
(71) Applicant: **Alexis Nicole Janosik**, San Jose, CA (US)
(72) Inventor: **Alexis Nicole Janosik**, San Jose, CA (US)
(**) Term: **15 Years**
(21) Appl. No.: **29/505,181**
(22) Filed: **Jul. 6, 2015**
(51) **LOC (10) Cl.** **19-06**
(52) **U.S. Cl.**
USPC **D19/85**
(58) **Field of Classification Search**
USPC D3/206, 215; D19/75, 77-85
CPC A45C 11/34; B43K 23/00; B43K 23/001; B43K 23/002; B43K 23/004; B43K 23/008; B43K 23/012; B43K 23/016; B43K 25/00; B43K 25/024
See application file for complete search history.

D191,891 S * 12/1961 San Antonio D19/79
3,627,276 A * 12/1971 Gilford B01F 9/0014
366/228
D224,168 S * 7/1972 Hooker D19/77
D282,128 S * 1/1986 Bell D6/682.2
4,666,043 A * 5/1987 Tahara A45D 40/10
132/318
5,025,934 A * 6/1991 Vogel A47F 7/0028
211/60.1
5,163,549 A * 11/1992 Hayduchok A45C 11/34
206/214
5,188,242 A * 2/1993 Smith B25F 5/029
206/379
D359,127 S * 6/1995 Biesecker D24/227
D446,280 S * 8/2001 Marriott D22/147
D551,036 S * 9/2007 Tomaszewski D7/701
7,314,142 B2 * 1/2008 Lyman, Jr. B43M 99/006
206/214
D592,401 S * 5/2009 Beavers D3/304

(Continued)

Primary Examiner — Elizabeth Albert

(57) **CLAIM**

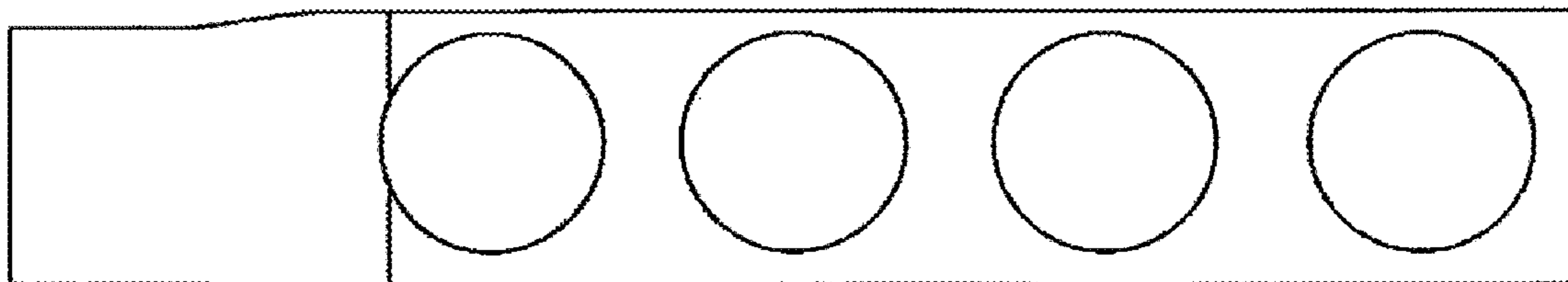
The ornamental design for a pen holder, as shown and described.

DESCRIPTION

FIG. 1 is a top view of a pen holder showing my new design; FIG. 2 is a front view thereof, the rear view is a mirror image of the front view; FIG. 3 is a right side view thereof; FIG. 4 is an isometric view thereof; FIG. 5 is another isometric view thereof; FIG. 6 is a bottom view thereof; and, FIG. 7 is a rear view thereof supporting pens. The pens and hand in broken lines in FIG. 7 are included for the purpose of illustrating the environment of the pen holder and form no part of the claimed design.

1 Claim, 4 Drawing Sheets

(56) **References Cited**
U.S. PATENT DOCUMENTS
769,592 A * 9/1904 De Long B43M 99/003
144/286.1
1,377,097 A * 5/1921 Seaton B43K 23/001
116/174
1,727,189 A * 9/1929 Asche B43K 23/001
131/256
2,121,307 A * 6/1938 Swift 15/104.001
D127,563 S * 6/1941 Cloutier D7/701
D149,335 S * 4/1948 Beatty D19/23
2,854,147 A * 9/1958 Derr A01K 97/08
211/70.8
2,957,270 A * 10/1960 Kennamer, Jr. B43K 23/04
211/69.5



(56)

References Cited

U.S. PATENT DOCUMENTS

D601,865 S * 10/2009 Castellucci D7/701
D636,642 S * 4/2011 Dulin D7/701
8,032,966 B1 * 10/2011 Keller B43K 23/001
15/104.92
D720,400 S * 12/2014 Featherston D19/85
D723,712 S * 3/2015 Tajima D24/227
D738,039 S * 9/2015 Chen D27/183
9,282,817 B2 * 3/2016 Yates A47B 81/005

* cited by examiner

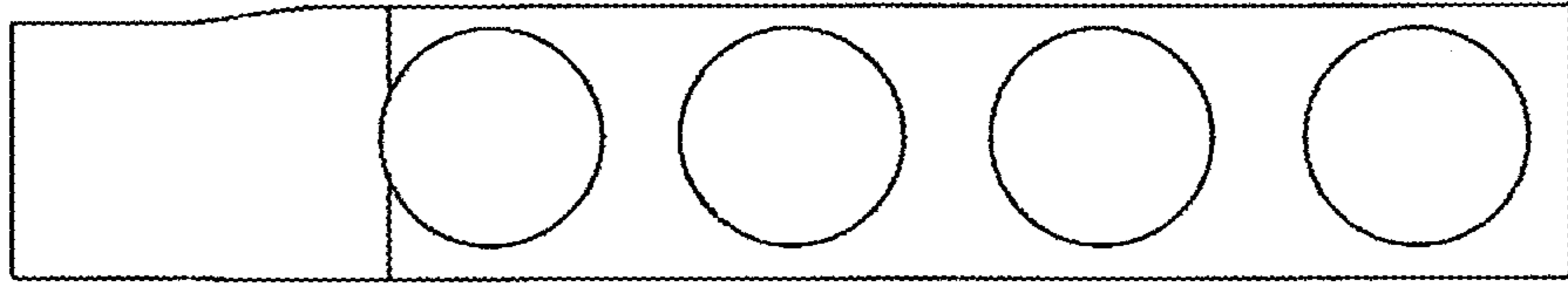


FIG. 1

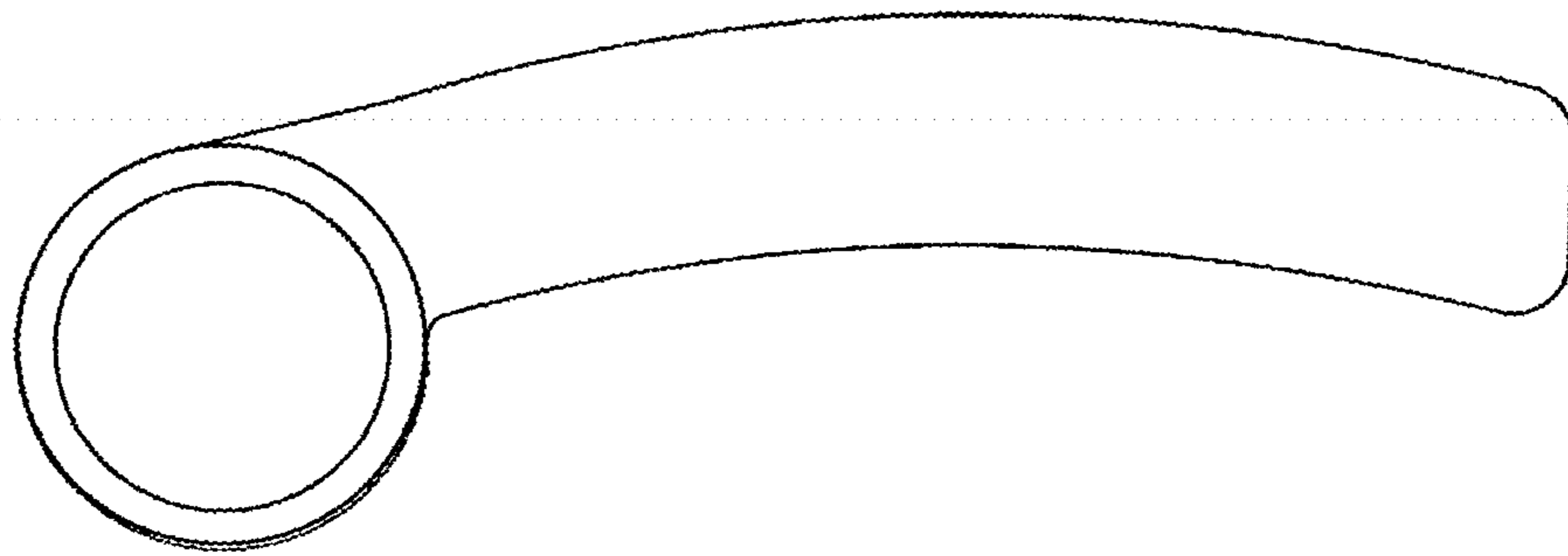


FIG. 2

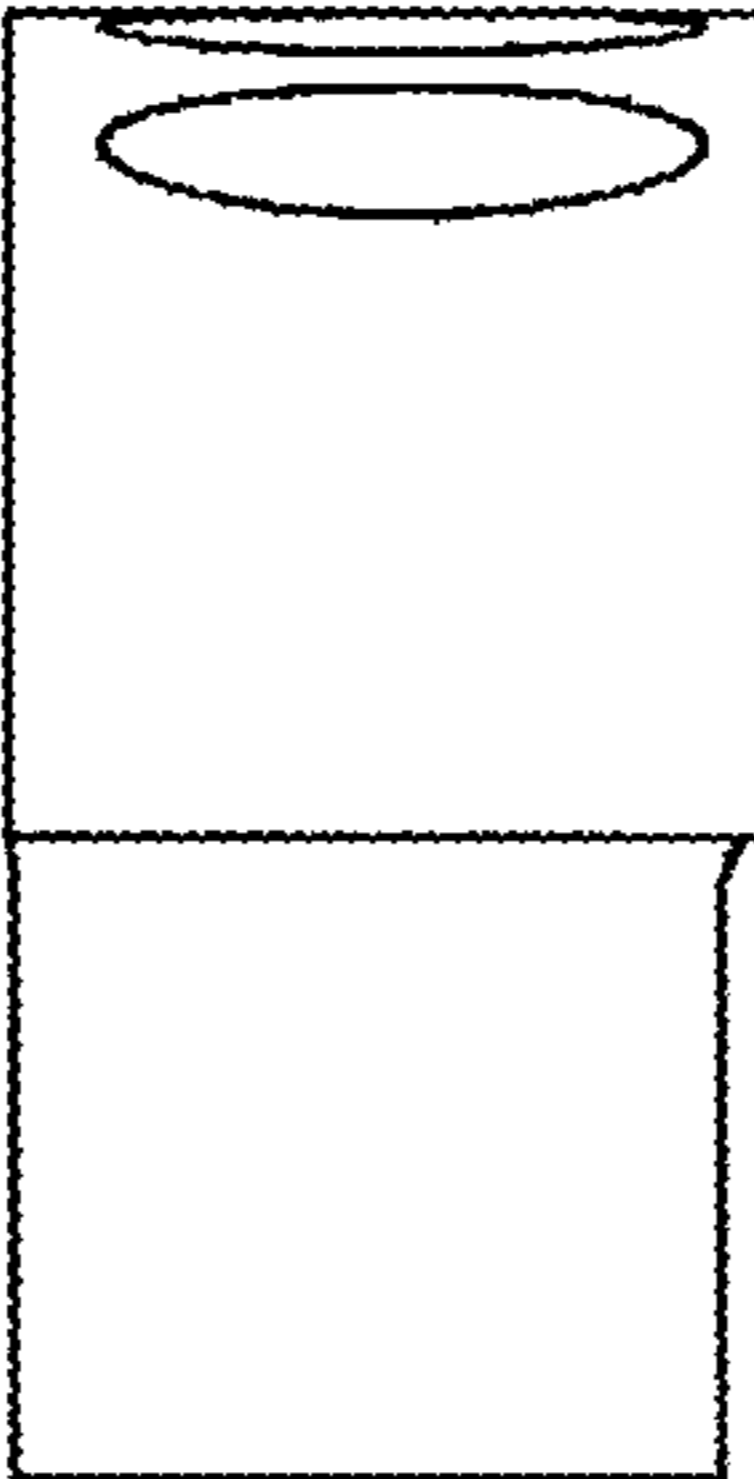


FIG. 3

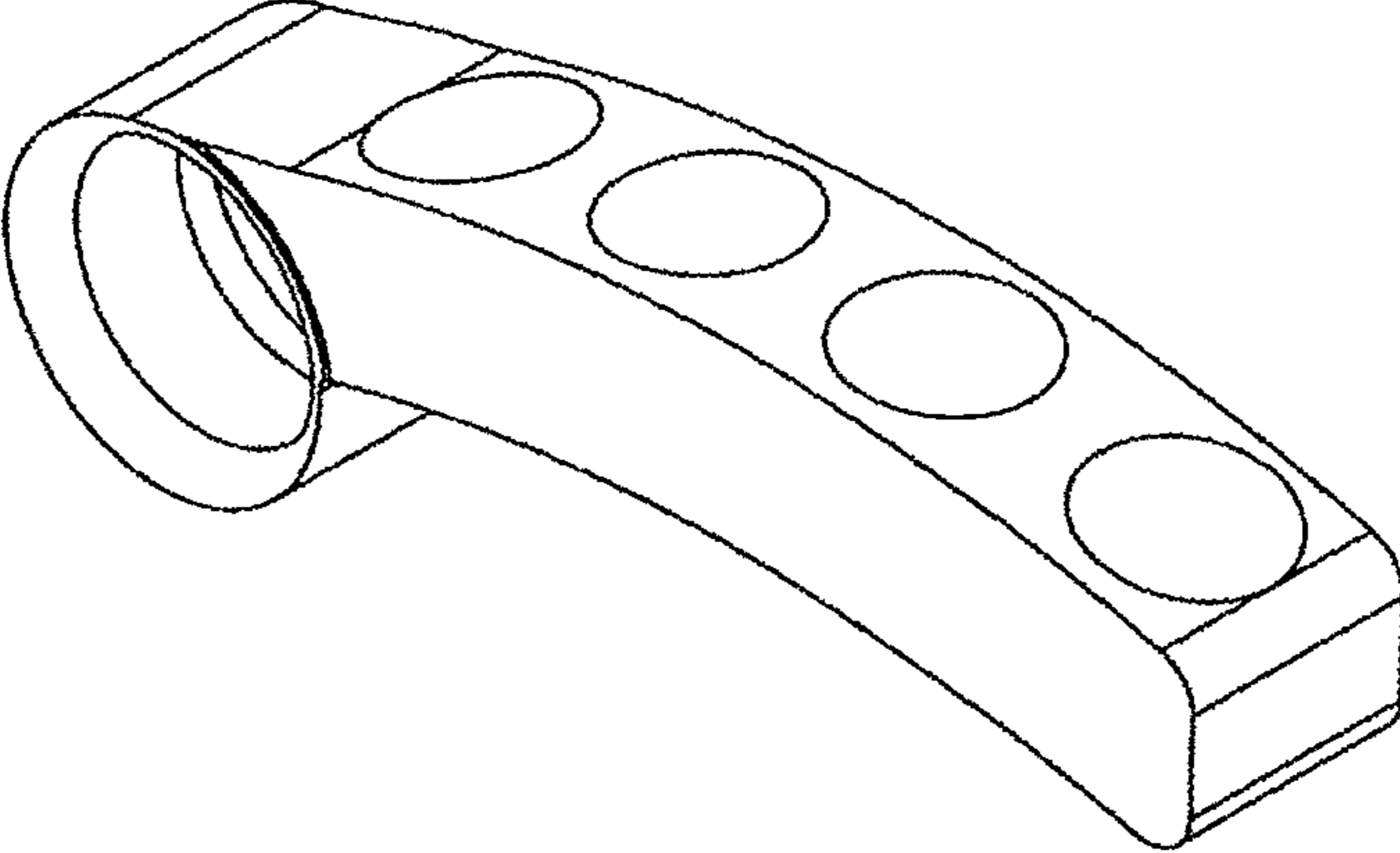


FIG. 4

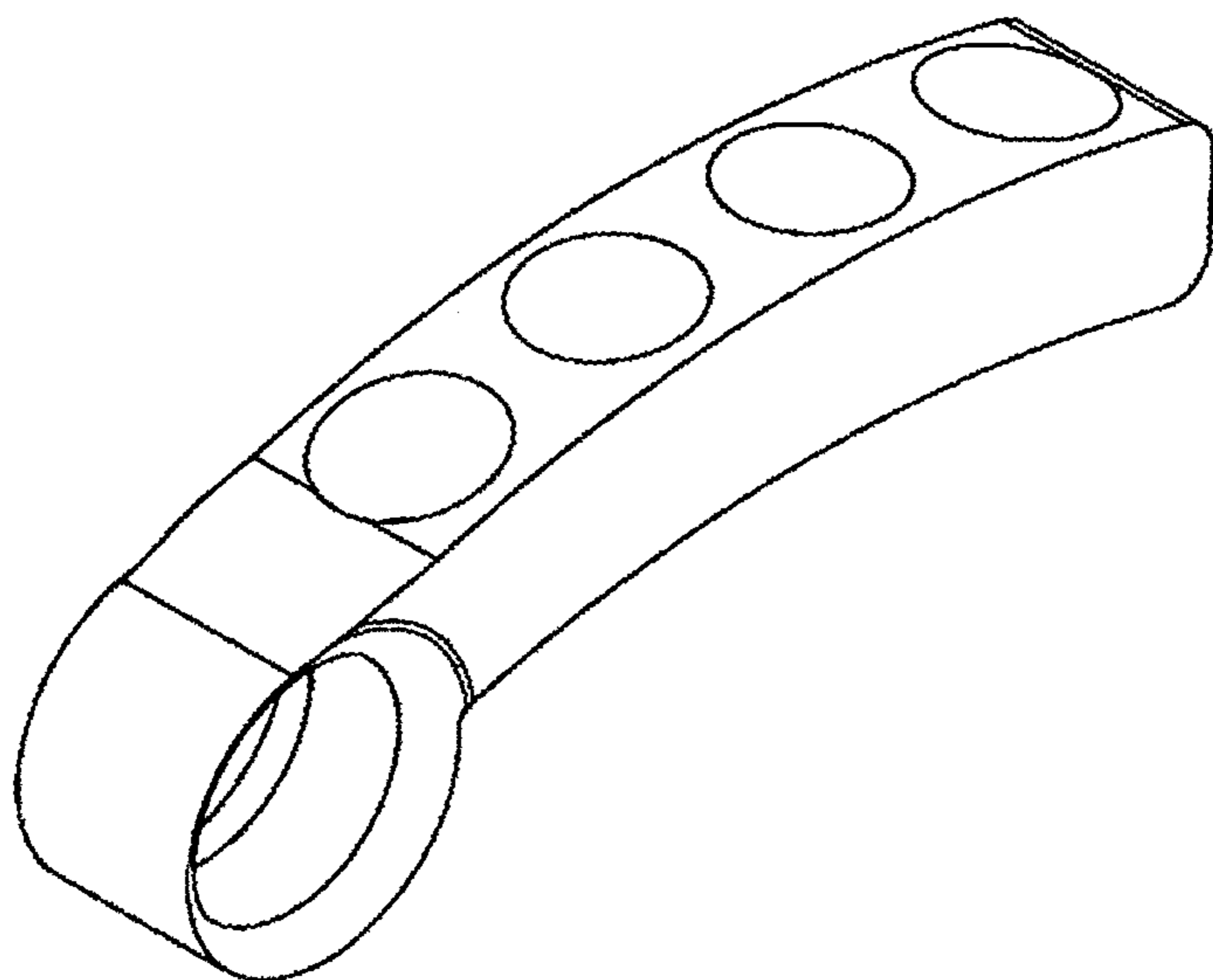


FIG. 5

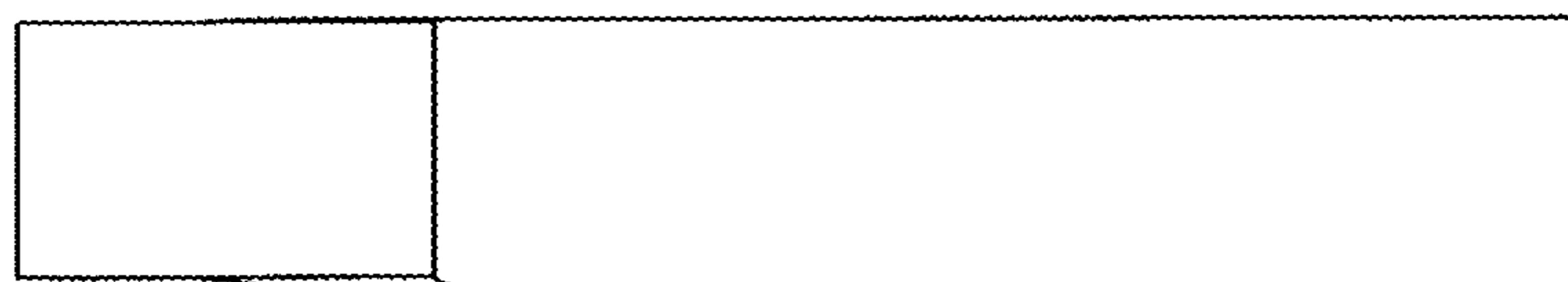


FIG. 6

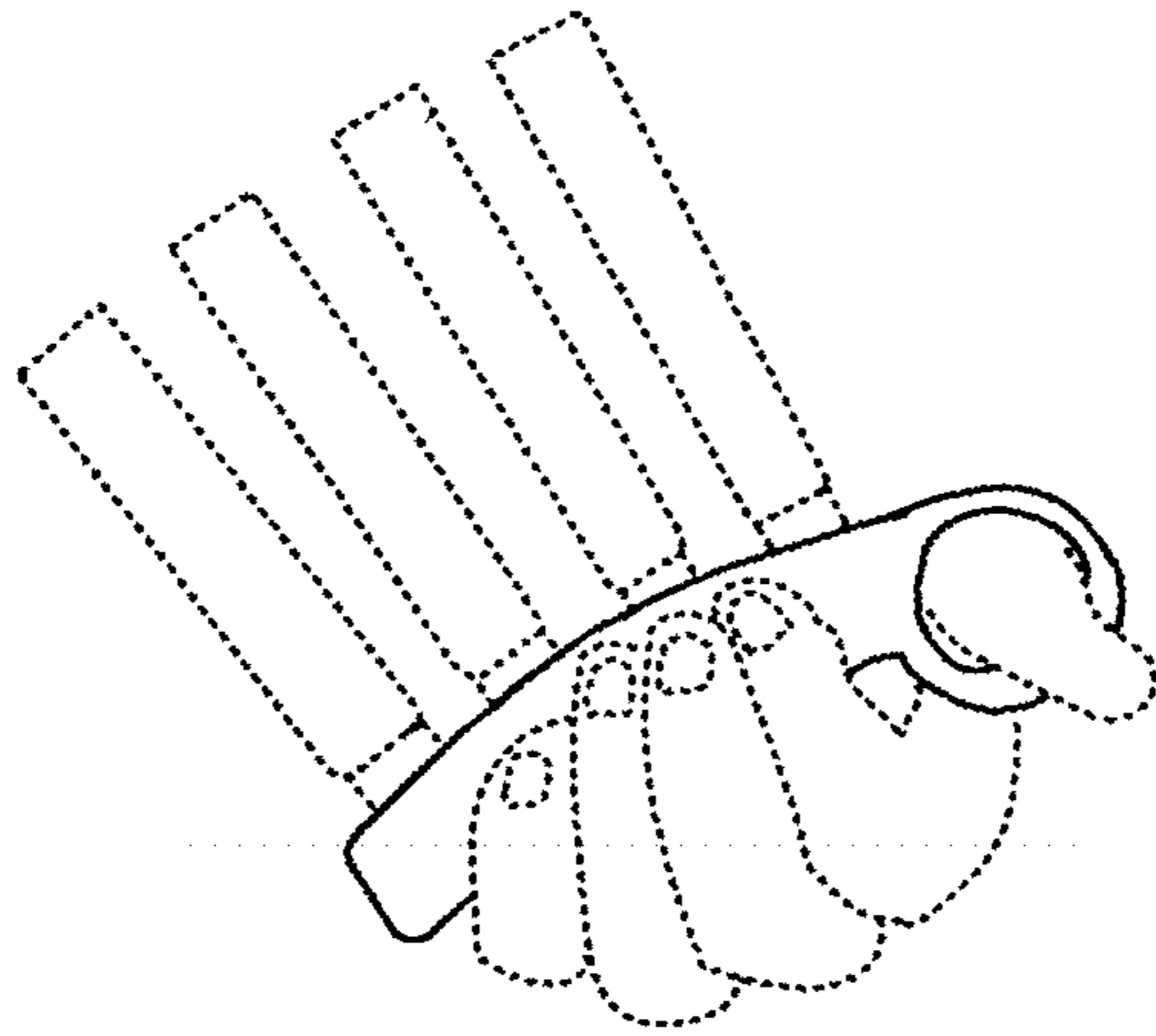


FIG. 7