



US00D776194S

(12) **United States Design Patent** (10) **Patent No.:** **US D776,194 S**
Petrie et al. (45) **Date of Patent:** **** Jan. 10, 2017**

(54) **NOTEBOOK**

2007/0160417 A1* 7/2007 Petrie et al. 402/73
2008/0089737 A1* 4/2008 Zins et al. 402/73
2010/0052305 A1* 3/2010 Shibuya 281/29

(71) Applicant: **Staples The Office Superstore, LLC**,
Framingham, MA (US)

FOREIGN PATENT DOCUMENTS

(72) Inventors: **Aidan Petrie**, Jamestown, RI (US);
Daniel Nelsen, Central Falls, RI (US);
Kenneth Zins, Fitchburg, MA (US)

DE 9108048 U1 * 8/1991 B42F 13/0006
DE 29720476 U1 * 1/1998 B42F 13/0006
DE 29822516 U1 * 2/2000 B42F 13/0006
EP 0638440 A1 * 2/1995 B42F 13/0006
EP 1961579 A1 * 8/2008 B42F 7/145

(73) Assignee: **Staples The Office Superstore, LLC**,
Framingham, MA (US)

(Continued)

(**) Term: **14 Years**

OTHER PUBLICATIONS

(21) Appl. No.: **29/446,841**

1" Staples Better mini view Binder with D-Ring, White, Image review date Dec. 21, 2011, site visited Aug. 18, 2014 (Online), http://www.staples.com/1-inch-Staples-Better-5-1-2-inch-x-8-1-2/product_924439#id='swatch_404406'.*

(22) Filed: **Feb. 27, 2013**

(51) **LOC (10) Cl.** **19-04**

(52) **U.S. Cl.**

USPC **D19/27**

(58) **Field of Classification Search**

USPC D19/26, 27, 100; 281/3.1, 15.1, 21.1,
281/27.1, 42, 45, 51; 402/1, 3, 19, 80 R;
462/71, 462/75, 76, 84

CPC B42F 13/00; B42F 13/0006; B42F 3/00
See application file for complete search history.

Primary Examiner — Ian Simmons

Assistant Examiner — Ieisha Price

(74) *Attorney, Agent, or Firm* — Sheridan Ross P.C.

(57)

CLAIM

The ornamental design for notebook, as shown and described.

(56) **References Cited**

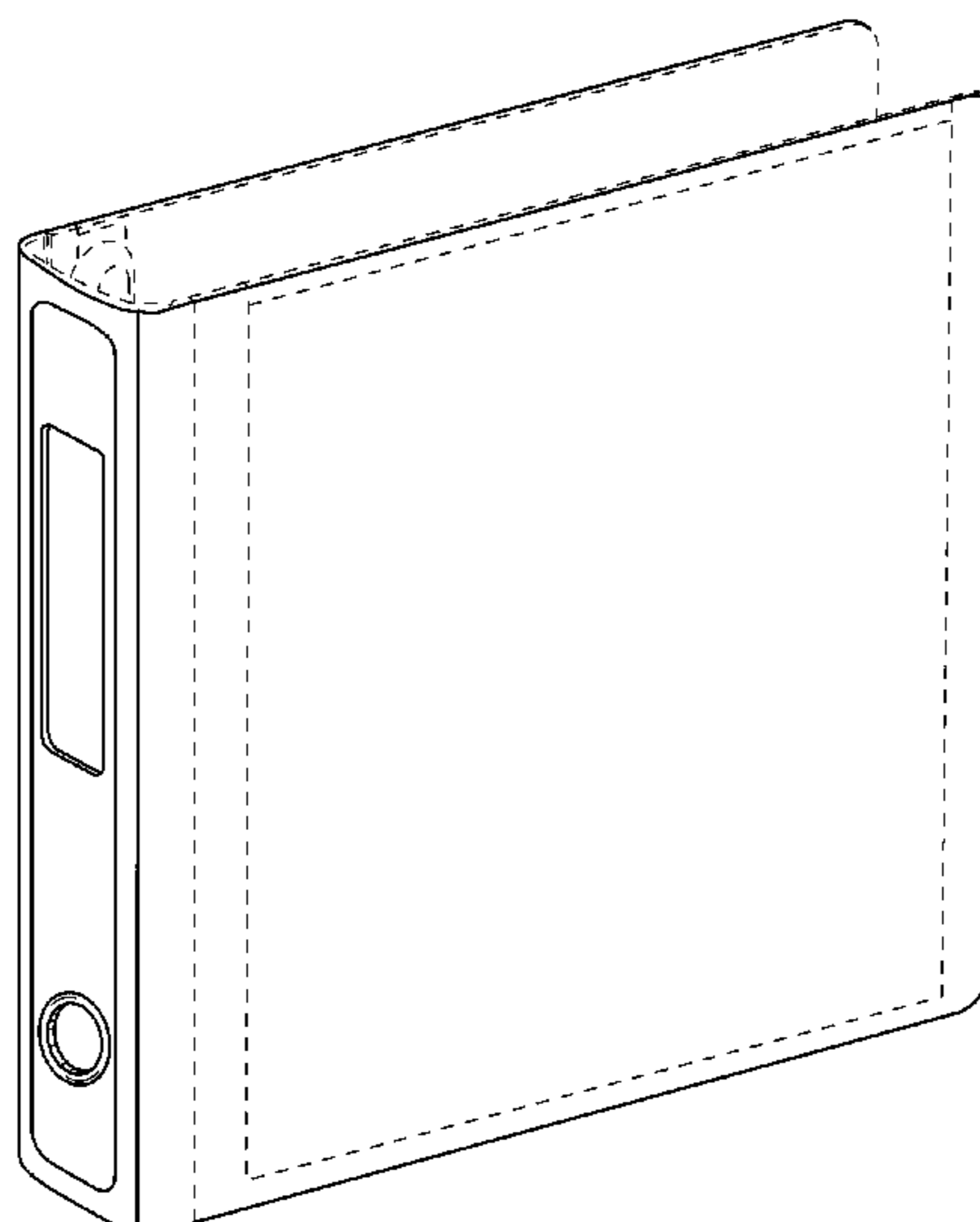
U.S. PATENT DOCUMENTS

1,845,445 A * 2/1932 Schlichting 402/3
1,865,741 A * 7/1932 Carney 402/3
3,186,114 A * 6/1965 Carter 40/650
5,651,628 A * 7/1997 Bankes et al. 402/73
5,971,650 A * 10/1999 Dottel 402/73
D478,349 S * 8/2003 Capaci D19/27
7,399,136 B2 * 7/2008 Petrie et al. 402/73
D576,673 S * 9/2008 Petrie et al. D19/26
7,717,639 B2 * 5/2010 Zins et al. 402/73
D656,188 S * 3/2012 Kent et al. D19/27
D656,189 S * 3/2012 DeCarlo D19/27
D666,242 S * 8/2012 Kent et al. D19/27
2005/0058502 A1 * 3/2005 Ben-Or 402/70
2006/0055167 A1 * 3/2006 Pollman et al. 281/21.1

DESCRIPTION

FIG. 1 is a side, top, perspective view of the notebook, with elements thereof shown in phantom;
FIG. 2 is a left side view thereof;
FIG. 3 is a right side view thereof;
FIG. 4 is a rear view thereof;
FIG. 5 is a front view thereof;
FIG. 6 is a top view thereof; and,
FIG. 7 is a bottom view thereof.
The broken lines in the drawings, illustrate portions of the notebook which form no part of the claimed design.

1 Claim, 5 Drawing Sheets



(56)

References Cited

FOREIGN PATENT DOCUMENTS

FR	1337552	A	*	9/1963	B42F 13/00
FR	2403892	A1	*	4/1979	B42F 13/0006
FR	2756772	B1	*	2/1999	B42F 13/0006
WO	WO 2004108432	A1	*	12/2004	B42F 13/0006

* cited by examiner

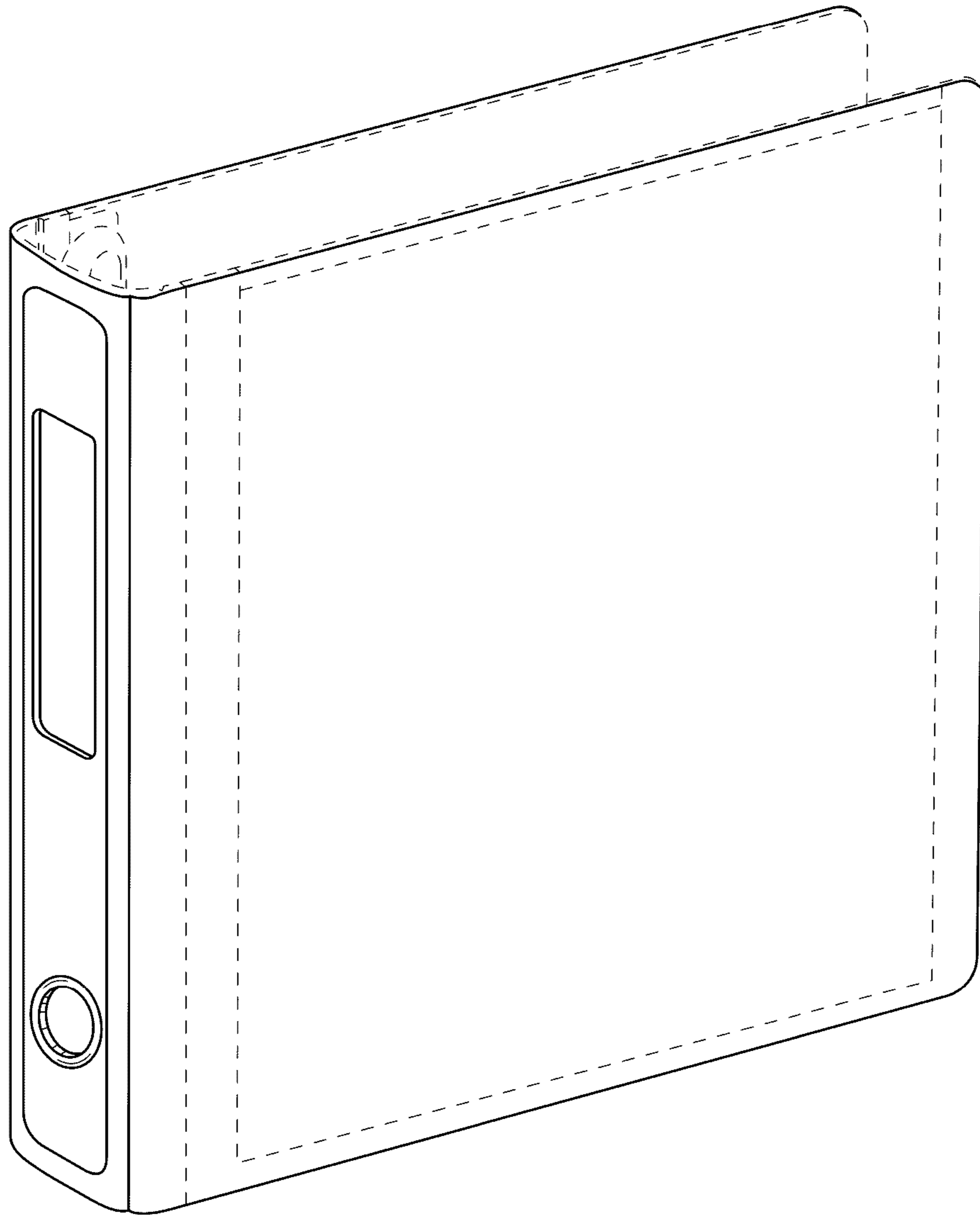


FIG.1

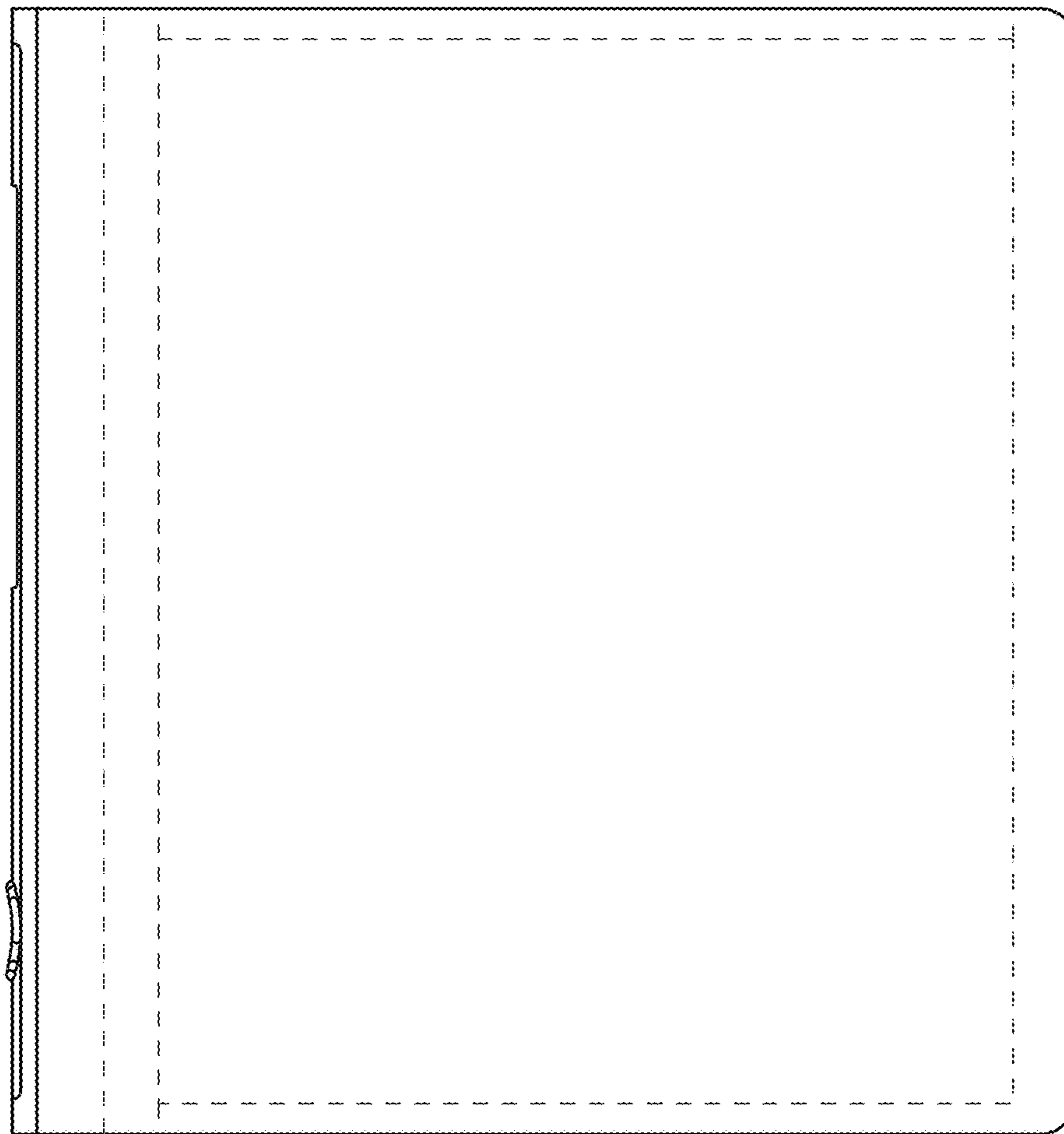


FIG.2

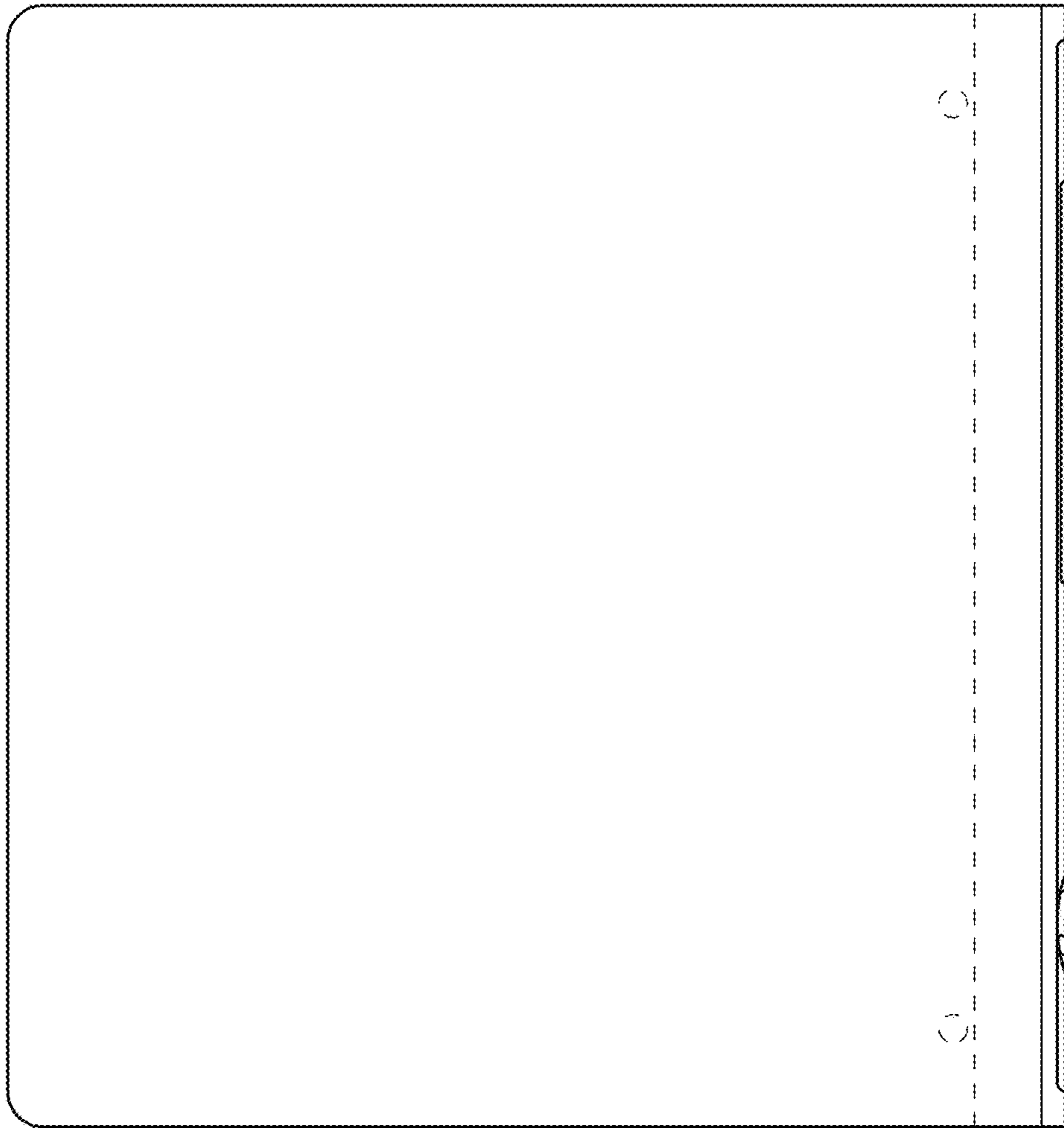


FIG.3

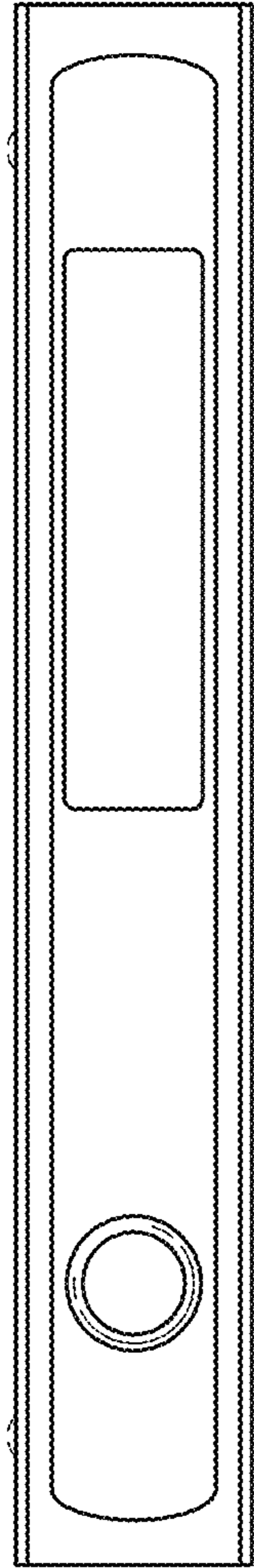


FIG.4

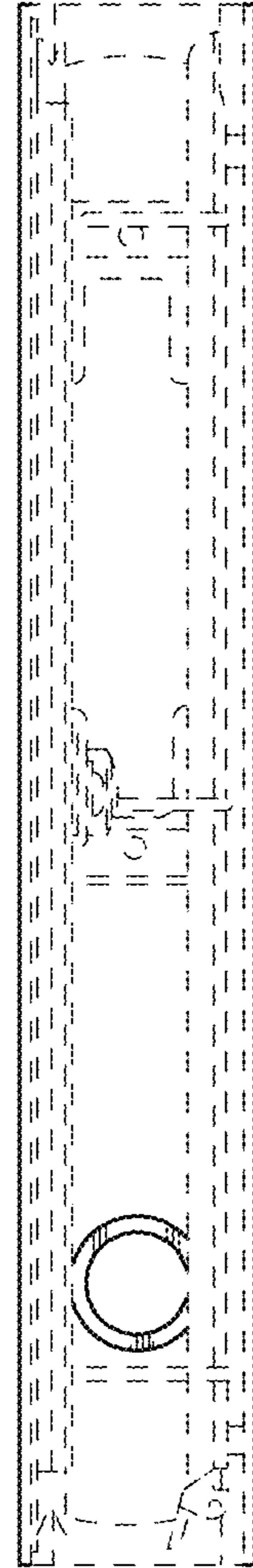


FIG.5

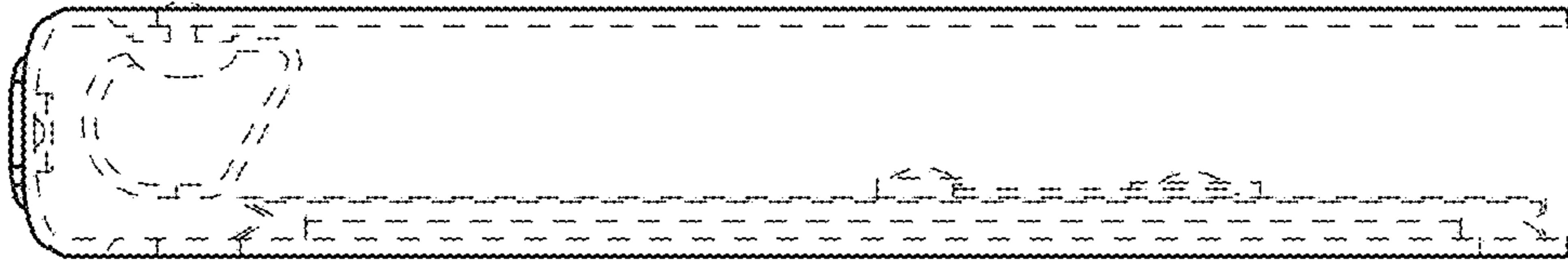


FIG. 6

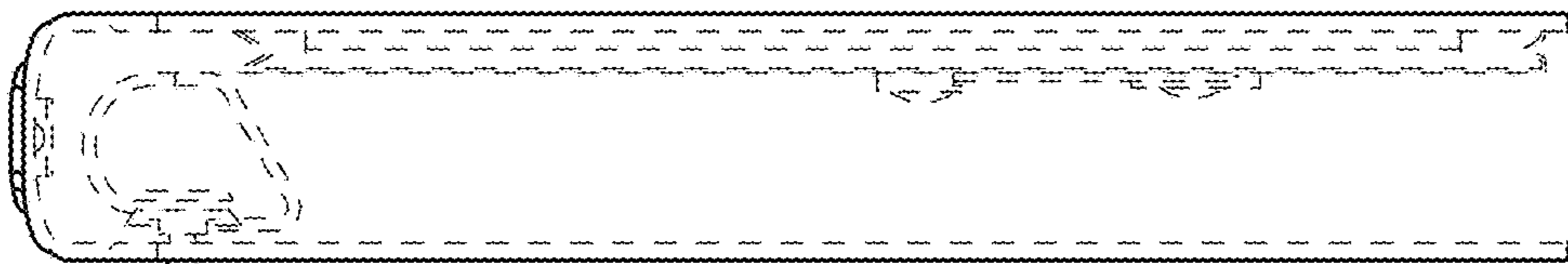


FIG. 7