



US00D776188S

(12) **United States Design Patent**
Beck

(10) **Patent No.:** **US D776,188 S**
(45) **Date of Patent:** **** Jan. 10, 2017**

- (54) **ELECTRONIC INPUT DEVICE**
- (71) Applicant: **Incident Technologies, Inc.**, San Francisco, CA (US)
- (72) Inventor: **Idan Beck**, San Francisco, CA (US)
- (73) Assignee: **Incident Technologies, Inc.**, Cupertino, CA (US)
- (**) Term: **14 Years**
- (21) Appl. No.: **29/519,410**
- (22) Filed: **Mar. 4, 2015**
- (51) **LOC (10) Cl.** **17-01**
- (52) **U.S. Cl.**
USPC **D17/1; D14/399; D17/99**
- (58) **Field of Classification Search**
USPC D14/388-393, 395, 400, 456, 320, 331, D14/333, 334, 338, 339, 341, 346, 356, D14/347, 379, 380, 384, 318; D13/162, D13/164, 168, 184, 123; D21/324, 333, D21/409; D17/1, 2, 9, 99
CPC G10H 1/20; G10H 1/34; G10H 1/344; G10H 1/36
See application file for complete search history.

D510,747 S * 10/2005 Lin D14/395
7,060,883 B2 * 6/2006 Nagaoka G10H 1/344
84/423 R
D569,415 S * 5/2008 Shigeru D17/1
(Continued)

OTHER PUBLICATIONS

Korg nanoKEY2 Slim-Line USB Keyboard in Black. amazon.com. [online] 9 pgs. Jul. 2011 [retrieved on Aug. 3, 2016] https://www.amazon.com/Korg-nanoKEY2-Slim-Line-Keyboard-Black/dp/B004M8UZG0/ref=sr_1_5?s=musical-instruments&ie=UTF8&qid=1470227773&sr=1-5&keywords=korg+keyboard.*

(Continued)

Primary Examiner — Susan Bennett Hattan
Assistant Examiner — Marie Fast Horse

(57) **CLAIM**

I claim the ornamental design for an electronic input device, as shown and described.

DESCRIPTION

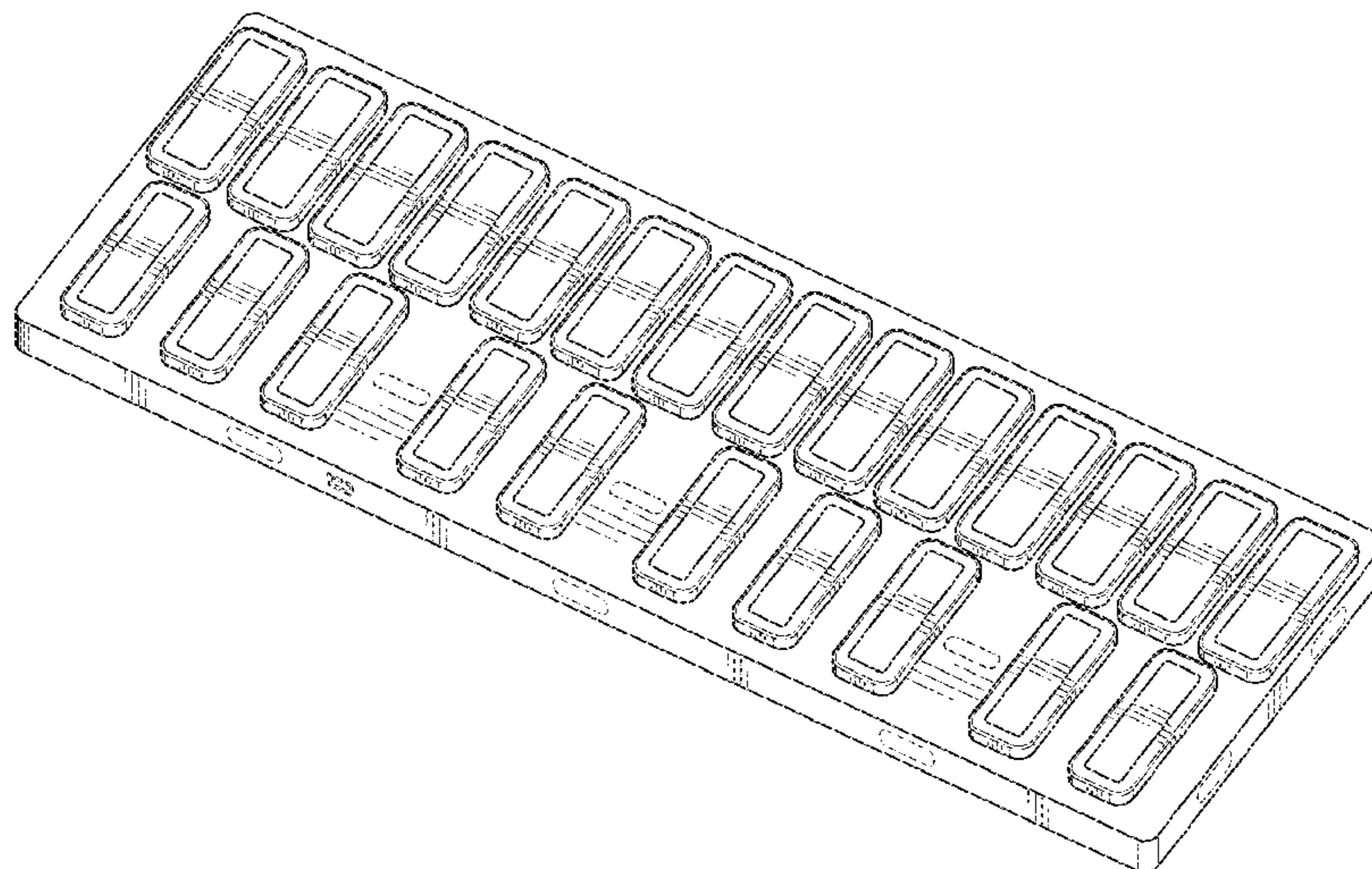
FIG. 1 is an upper right perspective view of an electronic input device;
FIG. 2 is a lower right perspective view thereof;
FIG. 3 is a front elevational view thereof;
FIG. 4 is a rear elevational view thereof;
FIG. 5 is a right side elevational view thereof;
FIG. 6 is a left side elevational view thereof; and
FIG. 7 is a top plan view thereof; and,
FIG. 8 is a bottom plan view thereof.
The upper left perspective view of the electronic input device is a mirror image of FIG. 1, and is therefore not shown. The lower left perspective view of the electronic input device is a mirror image of FIG. 2, and is therefore not shown.
The broken lines in the drawings define the bounds of the claim, which extends to the boundary but does not include the boundary.

1 Claim, 8 Drawing Sheets

(56) **References Cited**

U.S. PATENT DOCUMENTS

- D215,674 S * 10/1969 Arseneault D17/1
- D260,097 S * 8/1981 Antonelli D17/1
- D270,917 S * 10/1983 Peterson D17/9
- 4,619,175 A * 10/1986 Matsuzaki G10H 1/0555
84/377
- D310,332 S * 9/1990 Wong D10/31
- D316,722 S * 5/1991 Lerch D17/1
- 5,486,647 A * 1/1996 Kay G10H 1/38
84/635
- D367,858 S * 3/1996 Bertram D14/456
- D371,790 S * 7/1996 Takei D14/217
- 6,566,593 B2 * 5/2003 Pertchik G09B 15/02
84/423 R
- D490,837 S * 6/2004 Chang D17/1



(56)

References Cited

U.S. PATENT DOCUMENTS

7,815,108 B2 * 10/2010 Schacherer G06Q 20/349
235/380
D636,013 S * 4/2011 Shin D17/1
7,973,232 B2 * 7/2011 Lengeling G10H 1/20
84/718
D668,708 S * 10/2012 Park D17/1
D736,772 S * 8/2015 Prichard D14/395
9,111,516 B1 * 8/2015 Saraceni G10H 1/34
2010/0024625 A1 * 2/2010 Schlapkohl G10C 3/12
84/423 R

OTHER PUBLICATIONS

nanoKEY Studio Mobile MIDI Keyboard—Owners Manual. korg.
com [online PDF] 28 pgs. Mar. 28, 2016 [retrieved on Aug. 3, 2016]
<http://www.korg.com/us/support/download/manual/0/551/2967/>.*

* cited by examiner

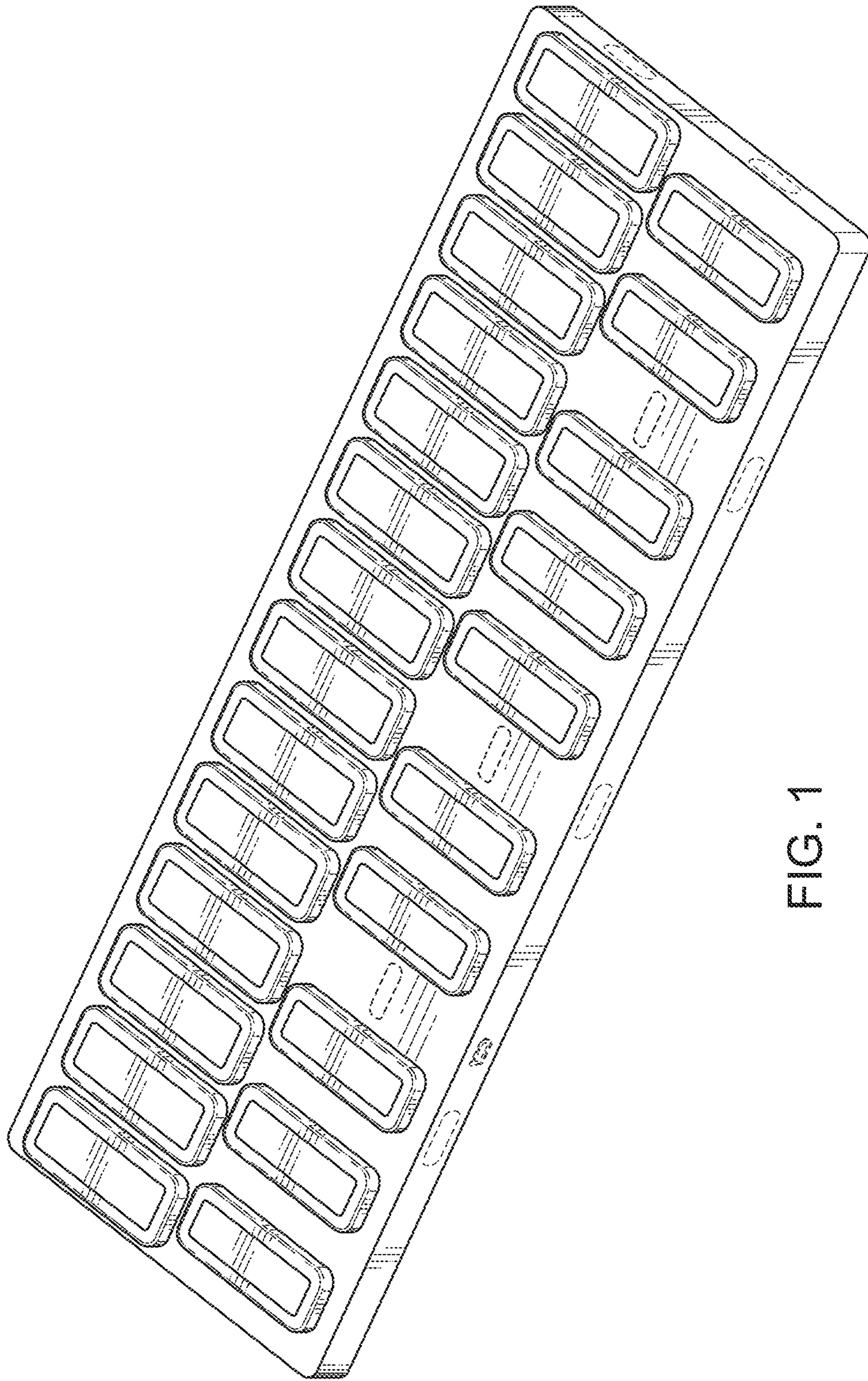


FIG. 1

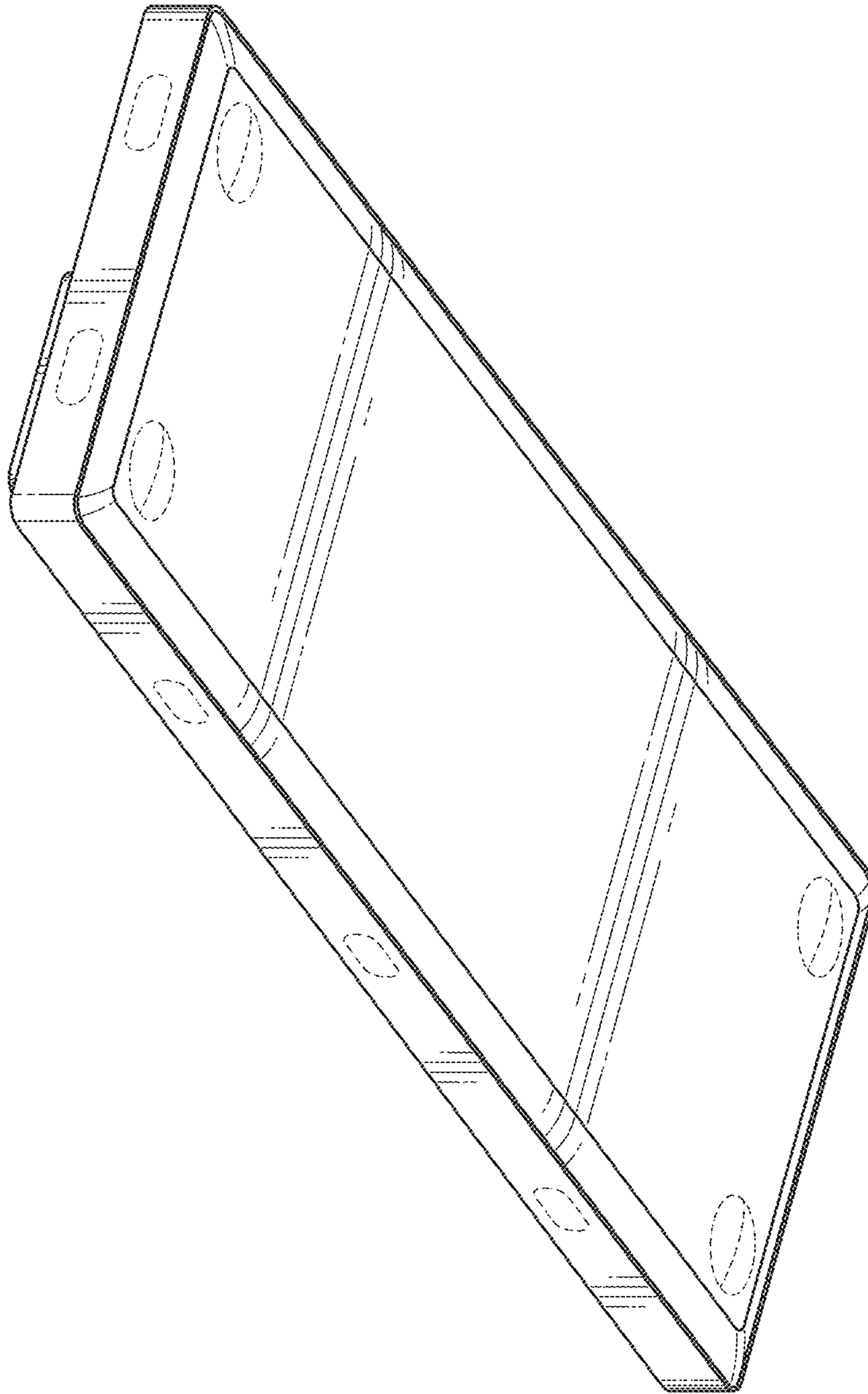


FIG. 2

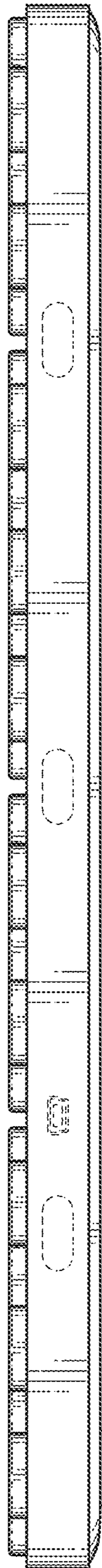


FIG. 3

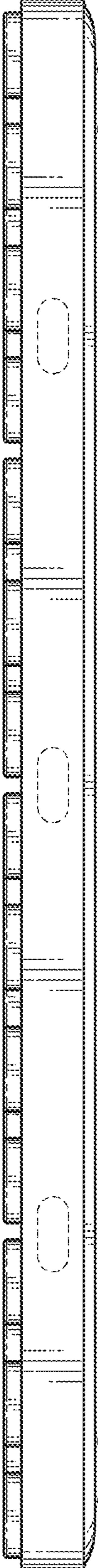


FIG. 4

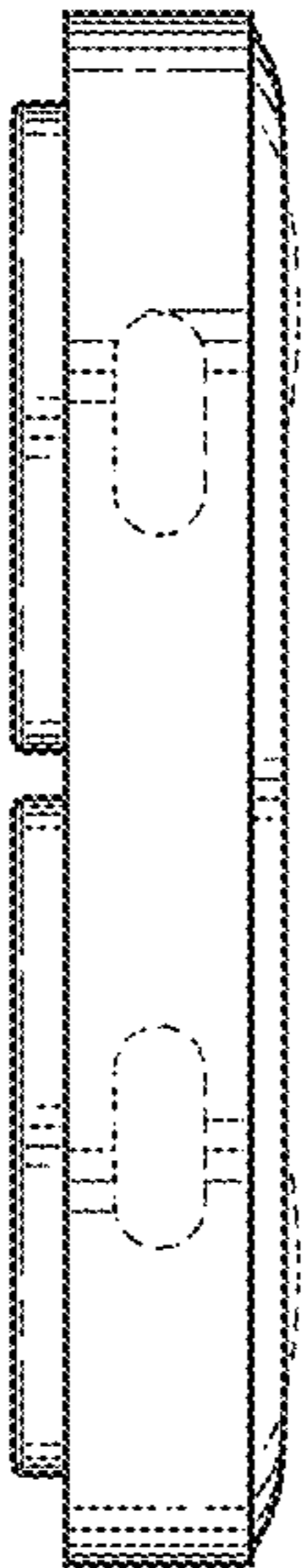


FIG. 5

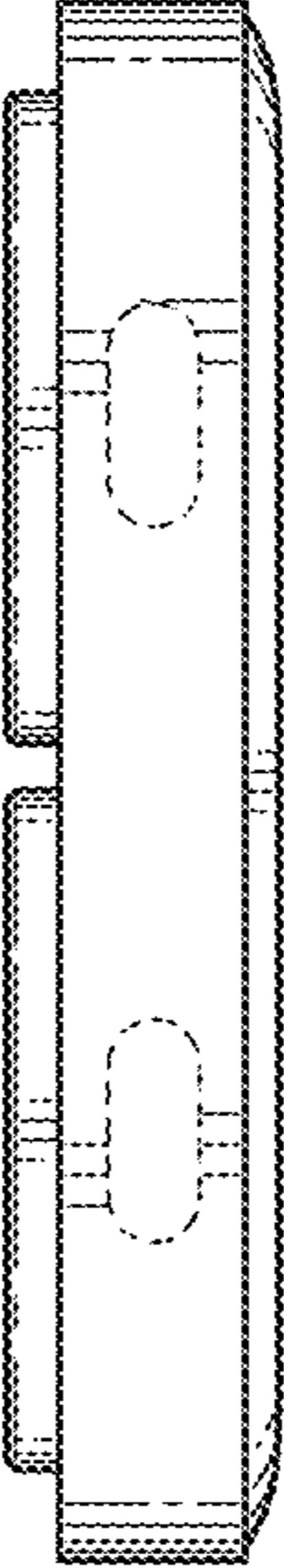


FIG. 6

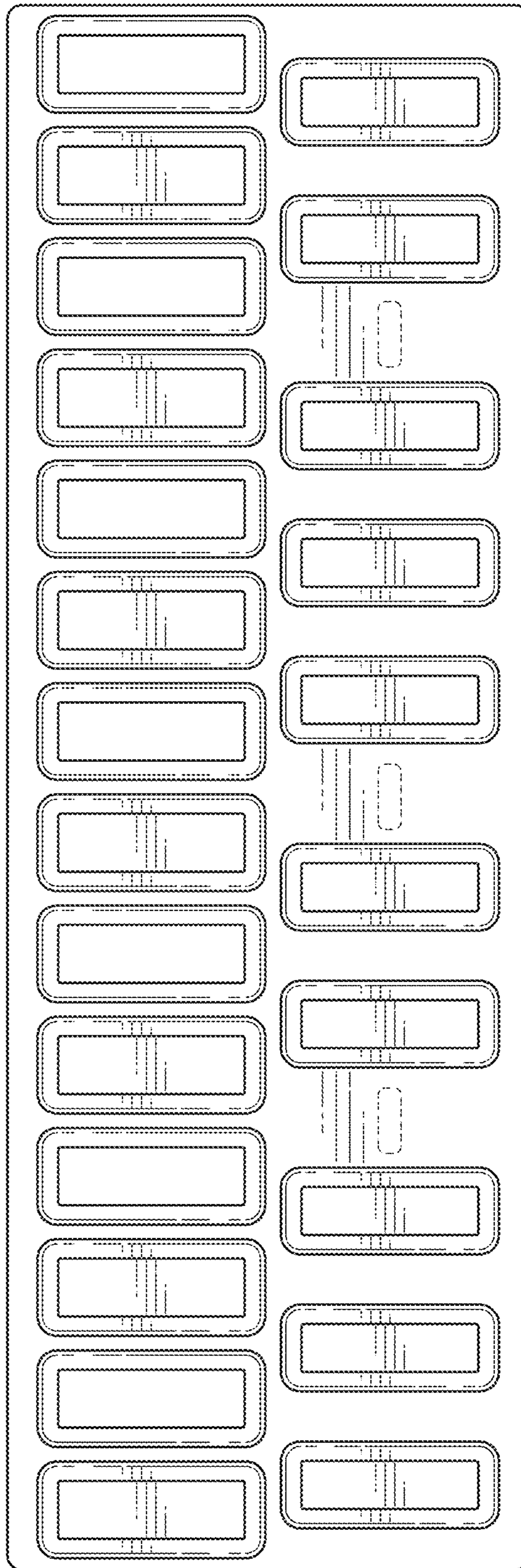


FIG. 7

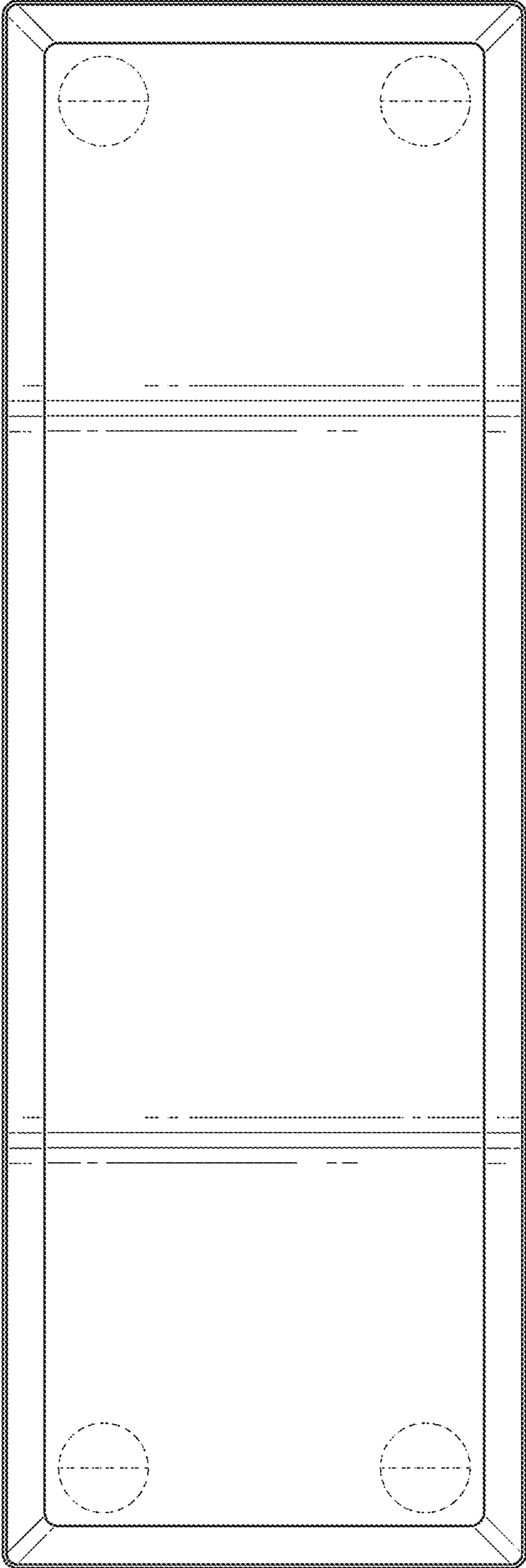


FIG. 8