



US00D776186S

(12) **United States Design Patent**
Gammons

(10) **Patent No.:** **US D776,186 S**
(45) **Date of Patent:** **** Jan. 10, 2017**

(54) **LIGHT FOR VIDEO, CINEMATOGRAPHIC AND/OR PHOTOGRAPHIC (INCLUDING FLASH) USE**

Primary Examiner — Brian N Vinson
(74) *Attorney, Agent, or Firm* — Soroker Agmon Nordman

(71) Applicant: **Rotolight Limited**, Iver Heath (GB)
(72) Inventor: **Roderick Allen Gammons**, Iver Heath (GB)
(73) Assignee: **ROTOLIGHT LIMITED**, Iver Heath (GB)

(57) **CLAIM**

The ornamental design for a light for video, cinematographic and/or photographic (including flash) use, as shown and described.

(**) Term: **15 Years**
(21) Appl. No.: **29/537,563**
(22) Filed: **Aug. 27, 2015**
(51) **LOC (10) Cl.** **16-99**
(52) **U.S. Cl.**
USPC **D16/239**
(58) **Field of Classification Search**
USPC D16/134, 136, 208, 213–219, 235, D16/237–245, 250; D14/203.4, 218, 224, D14/250–253, 345, 440, 449; D26/24, 72, D26/110–113, 118
CPC G03B 17/02–17/04; G03B 17/14; G03B 17/56; G03B 17/561–17/568; G03B 21/20–21/2066; G03B 15/041–15/0436; G02B 7/02–7/04; G02B 7/14; H04N 5/2251–5/2554; F16M 11/02; F16M 11/20; F16M 11/40
See application file for complete search history.

DESCRIPTION

FIG. 1 is a perspective view of a first embodiment of a lighting fixture showing my new design;
FIG. 2 is a front view of the lighting fixture of the first embodiment;
FIG. 3 is a back view of the lighting fixture of the first embodiment;
FIG. 4 is a side view of the lighting fixture of the first embodiment;
FIG. 5 is a further side view of the lighting fixture of the first embodiment;
FIG. 6 is a top view of the lighting fixture of the first embodiment;
FIG. 7 is an underside view of the lighting fixture of the first embodiment;
FIG. 8 is a perspective view of a second embodiment of a lighting fixture showing my new design;
FIG. 9 is a front view of the lighting fixture of the second embodiment;
FIG. 10 is a back view of the lighting fixture of the second embodiment;
FIG. 11 is a side view of the lighting fixture of the second embodiment;
FIG. 12 is a further side view of the lighting fixture of the second embodiment;
FIG. 13 is a top view of the lighting fixture of the second embodiment; and,
FIG. 14 is an underside view of the lighting fixture of the second embodiment.

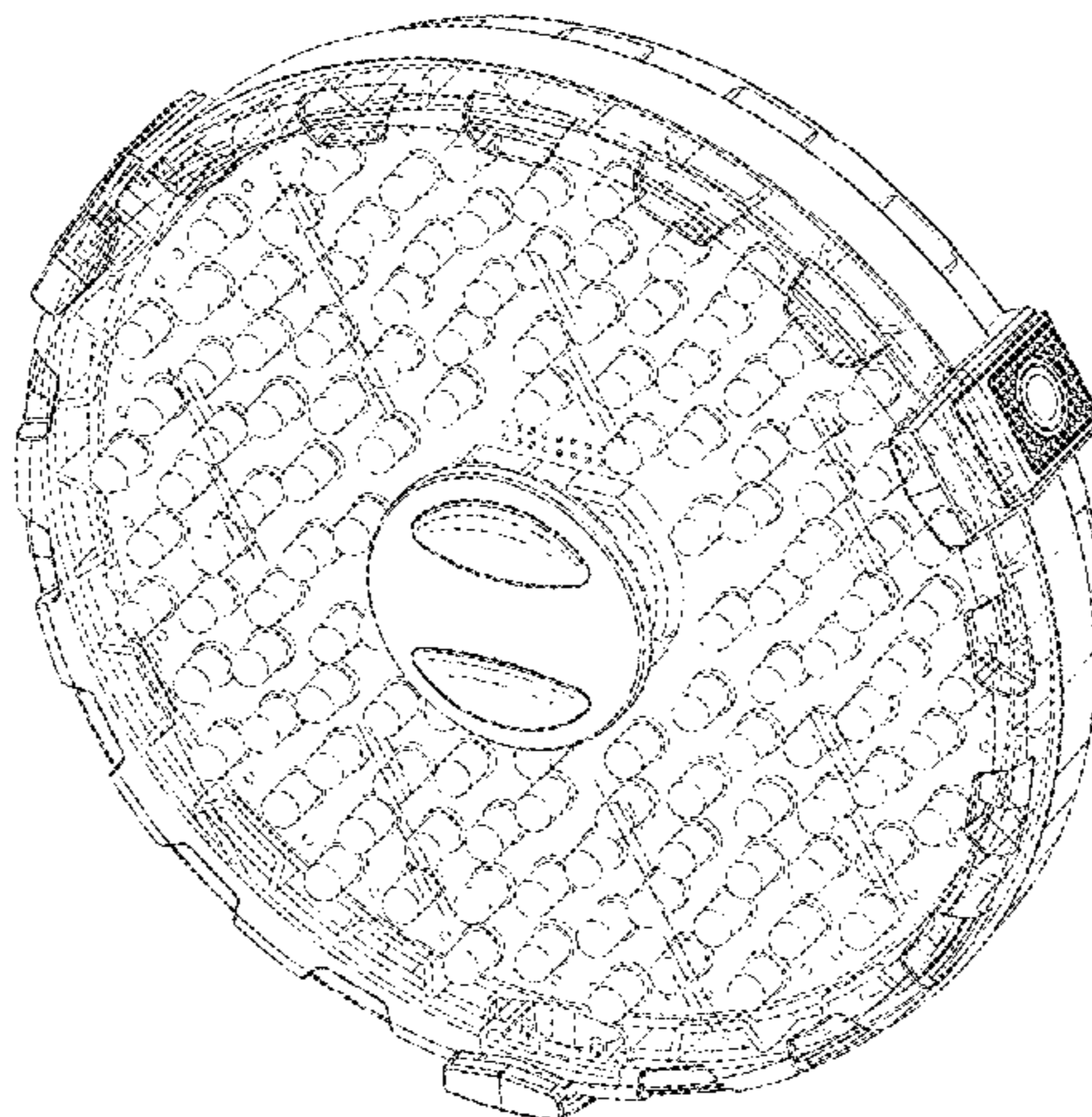
(56) **References Cited**

U.S. PATENT DOCUMENTS

D184,214 S *	1/1959	Dine et al.	D16/239
D590,074 S *	4/2009	Chang	D26/1
D702,279 S *	4/2014	Zhan	D16/239
D753,755 S *	4/2016	Zhan	D16/239
D754,774 S *	4/2016	Chang	D16/239

* cited by examiner

1 Claim, 12 Drawing Sheets



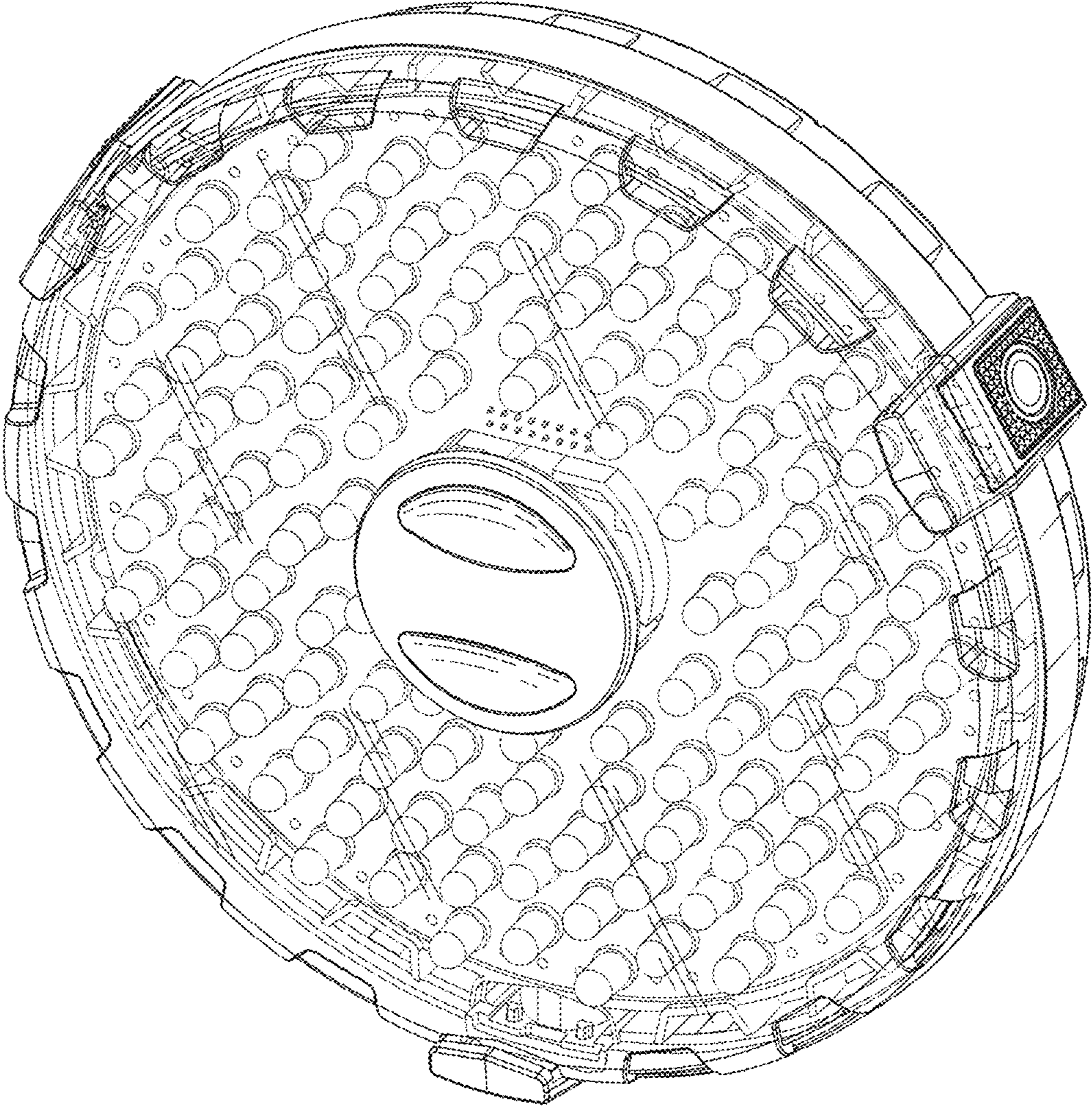


FIG. 1

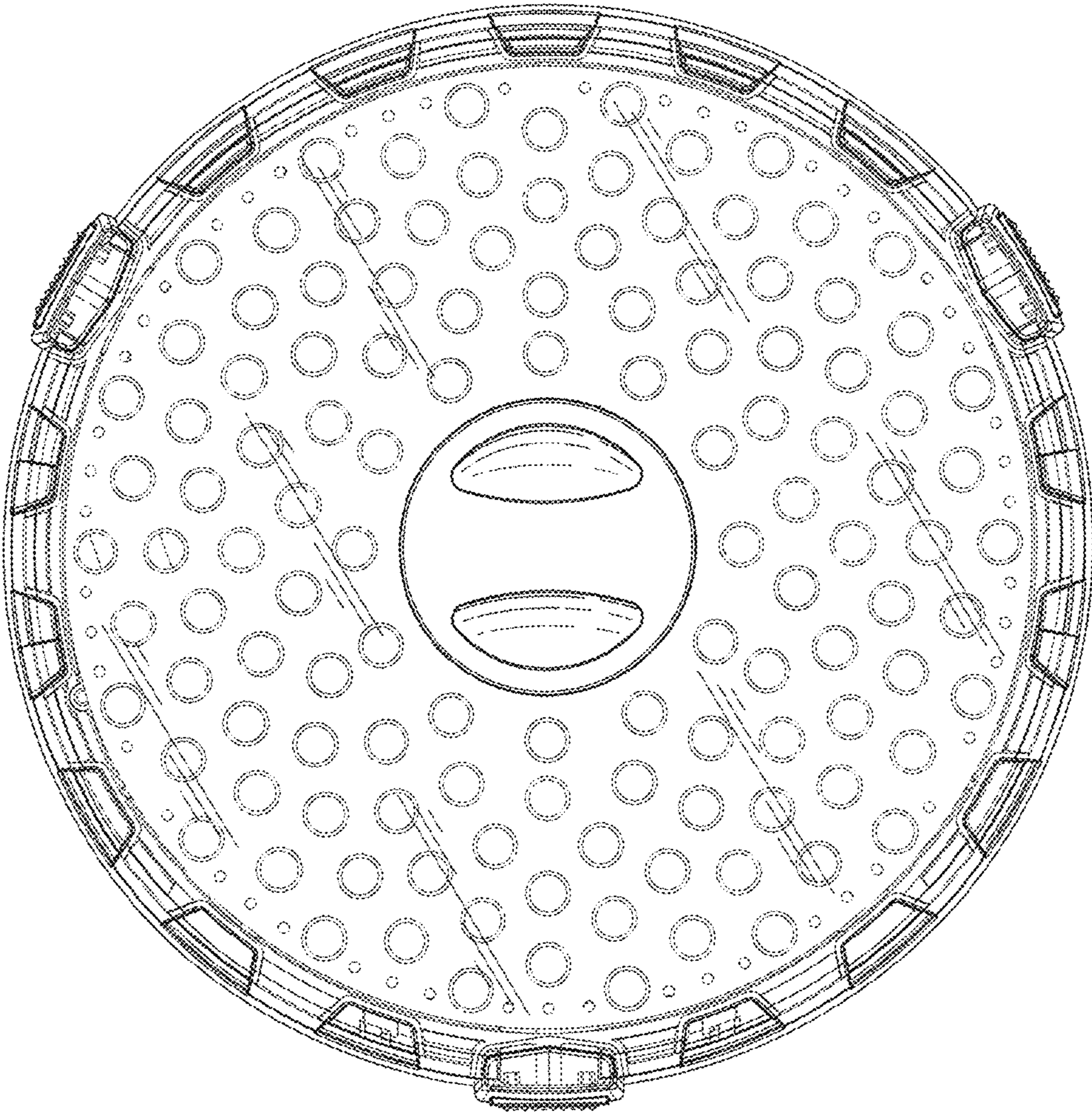


FIG. 2

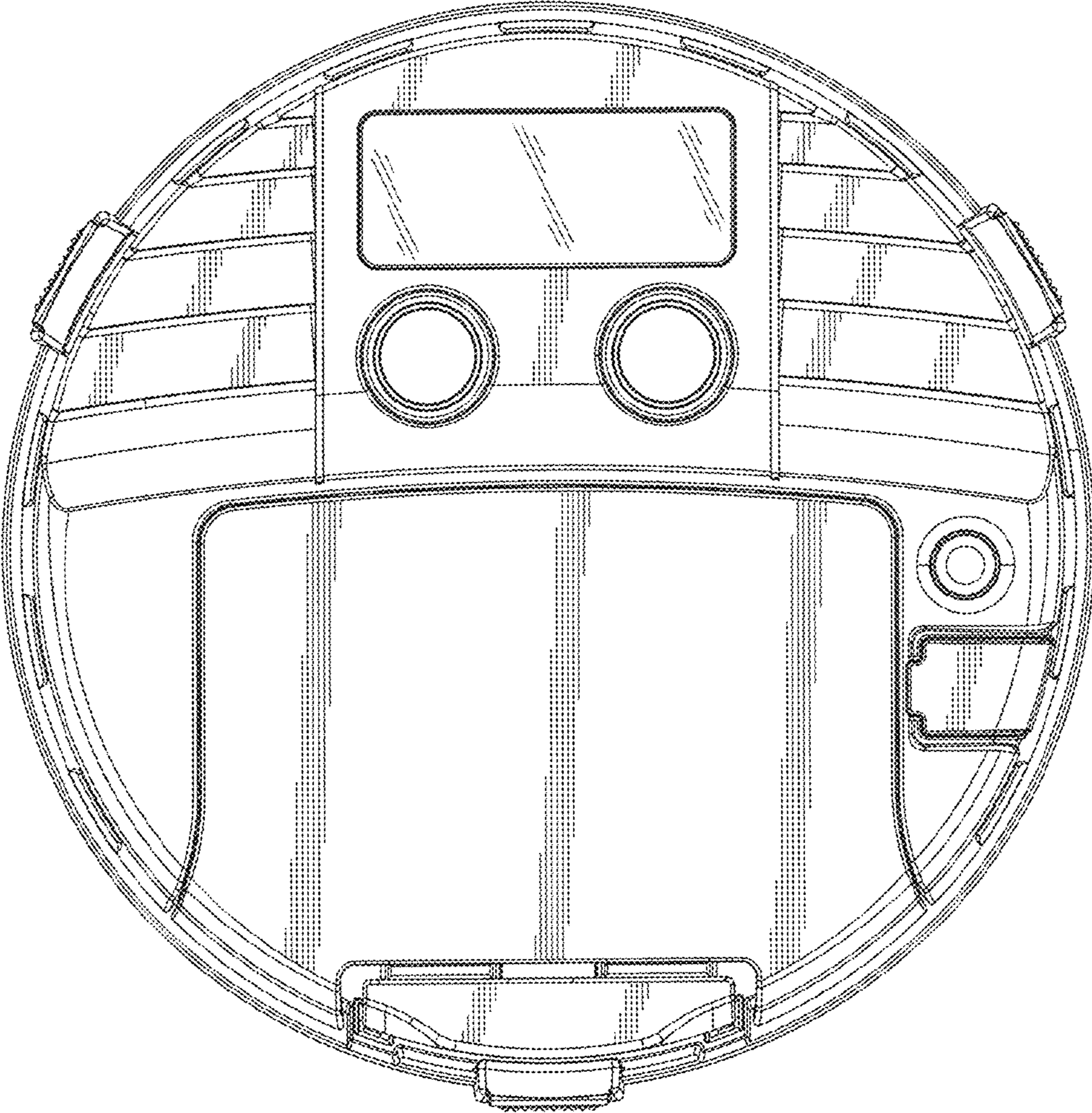


FIG. 3

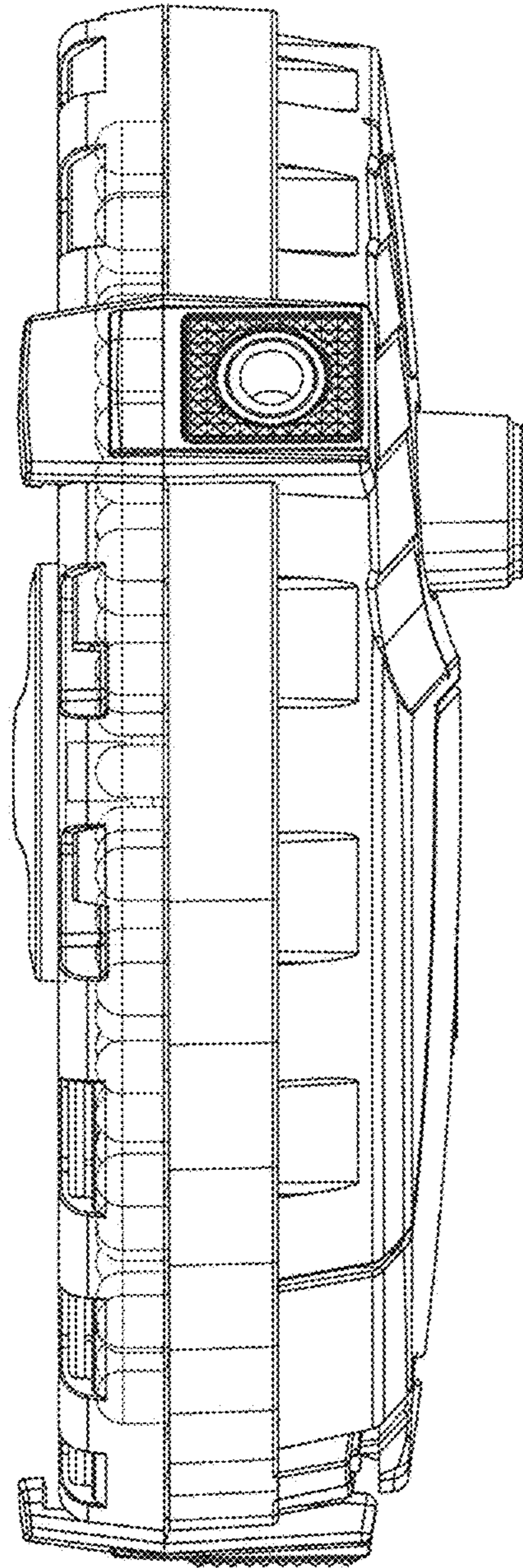


FIG. 4

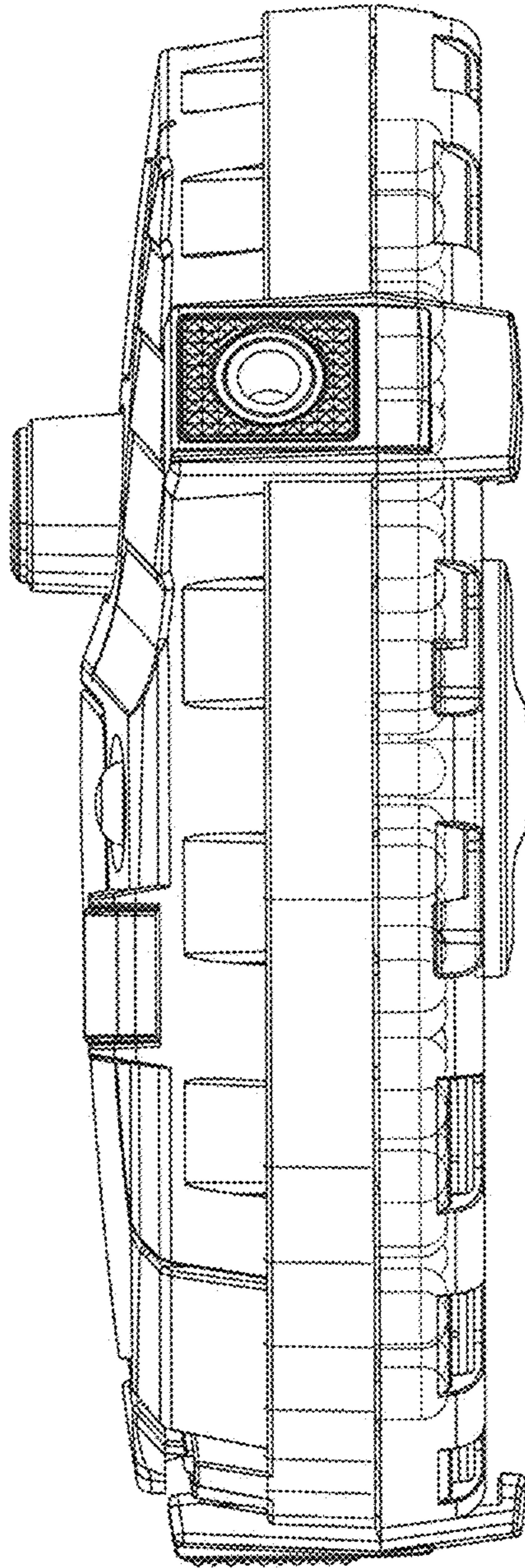


FIG. 5

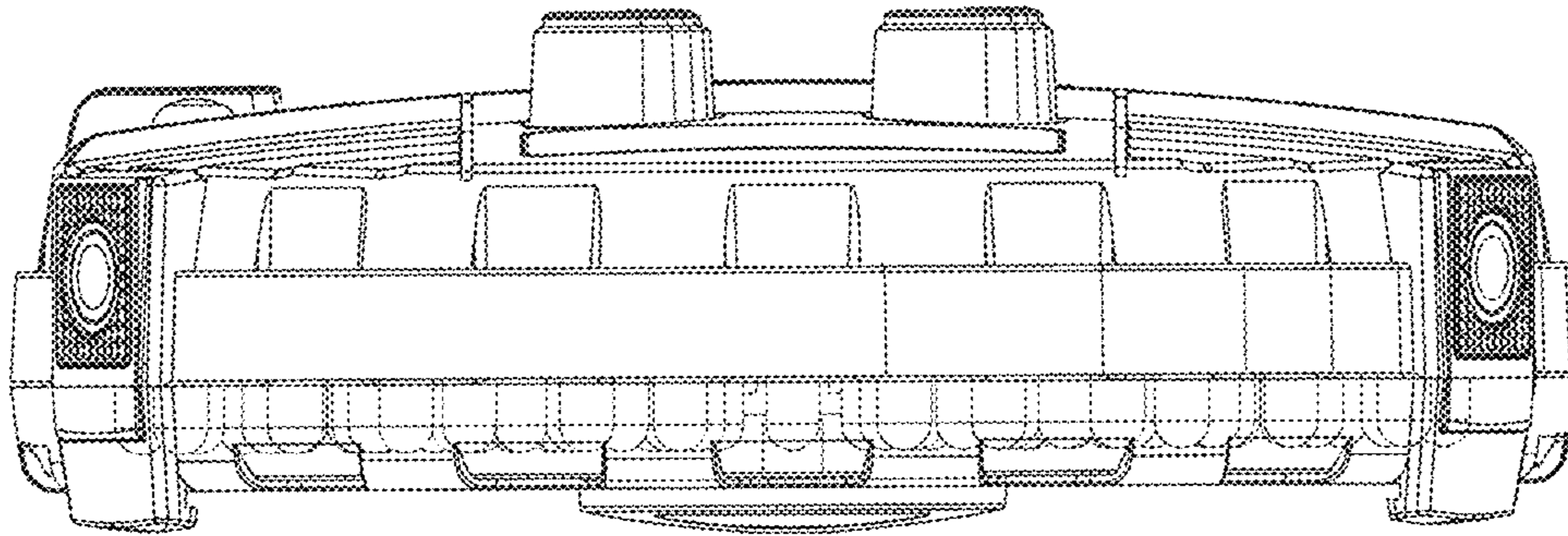


FIG. 6

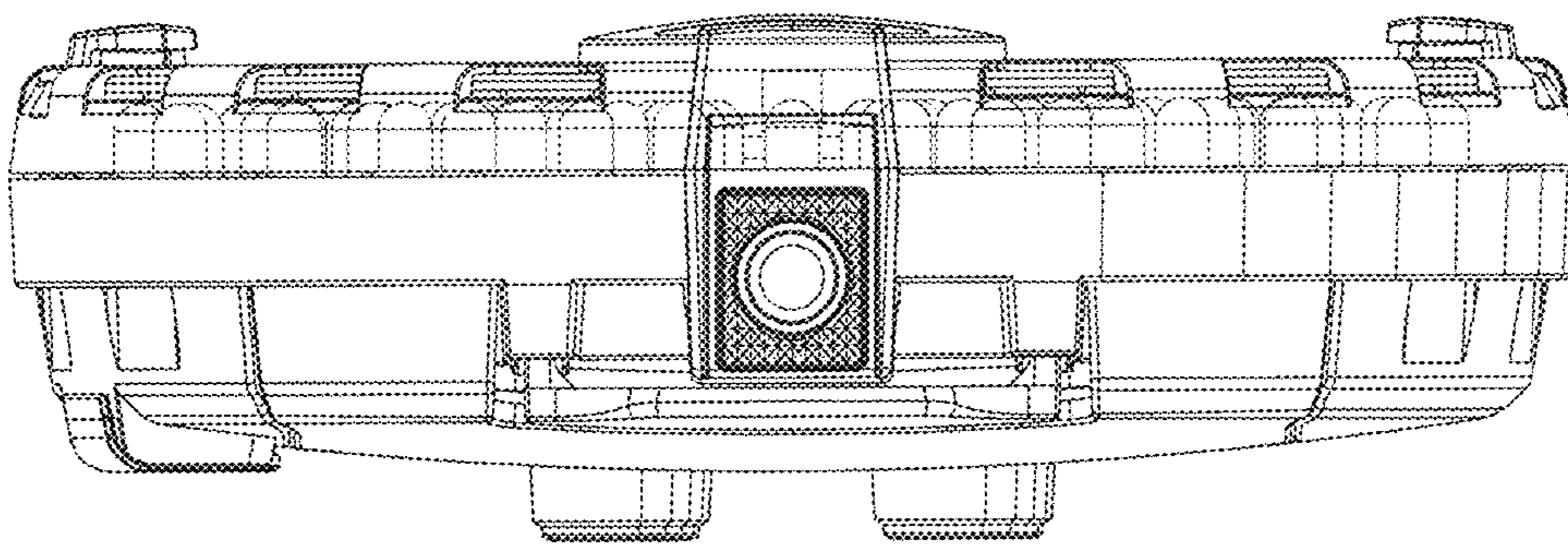


FIG. 7

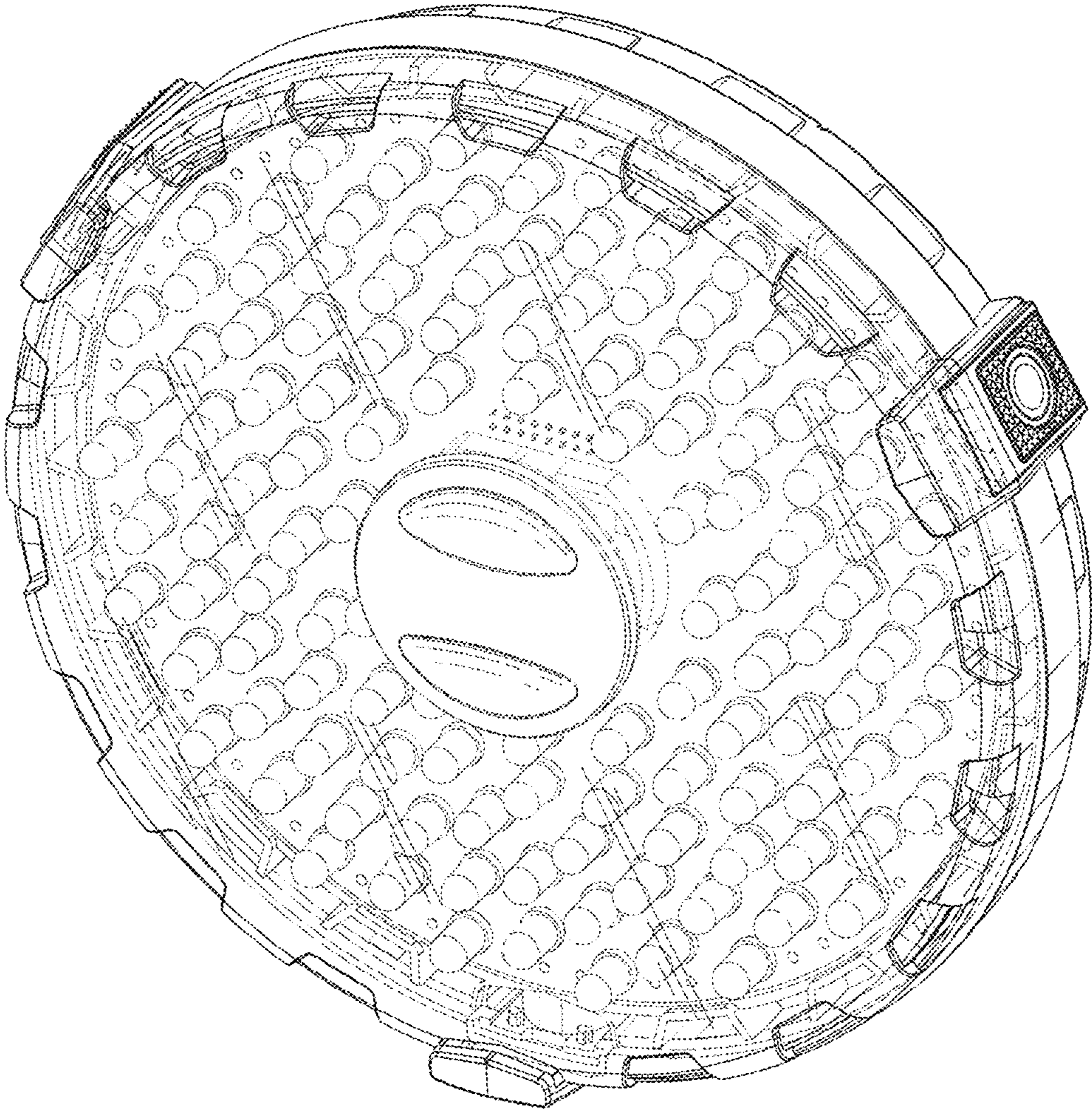


FIG. 8

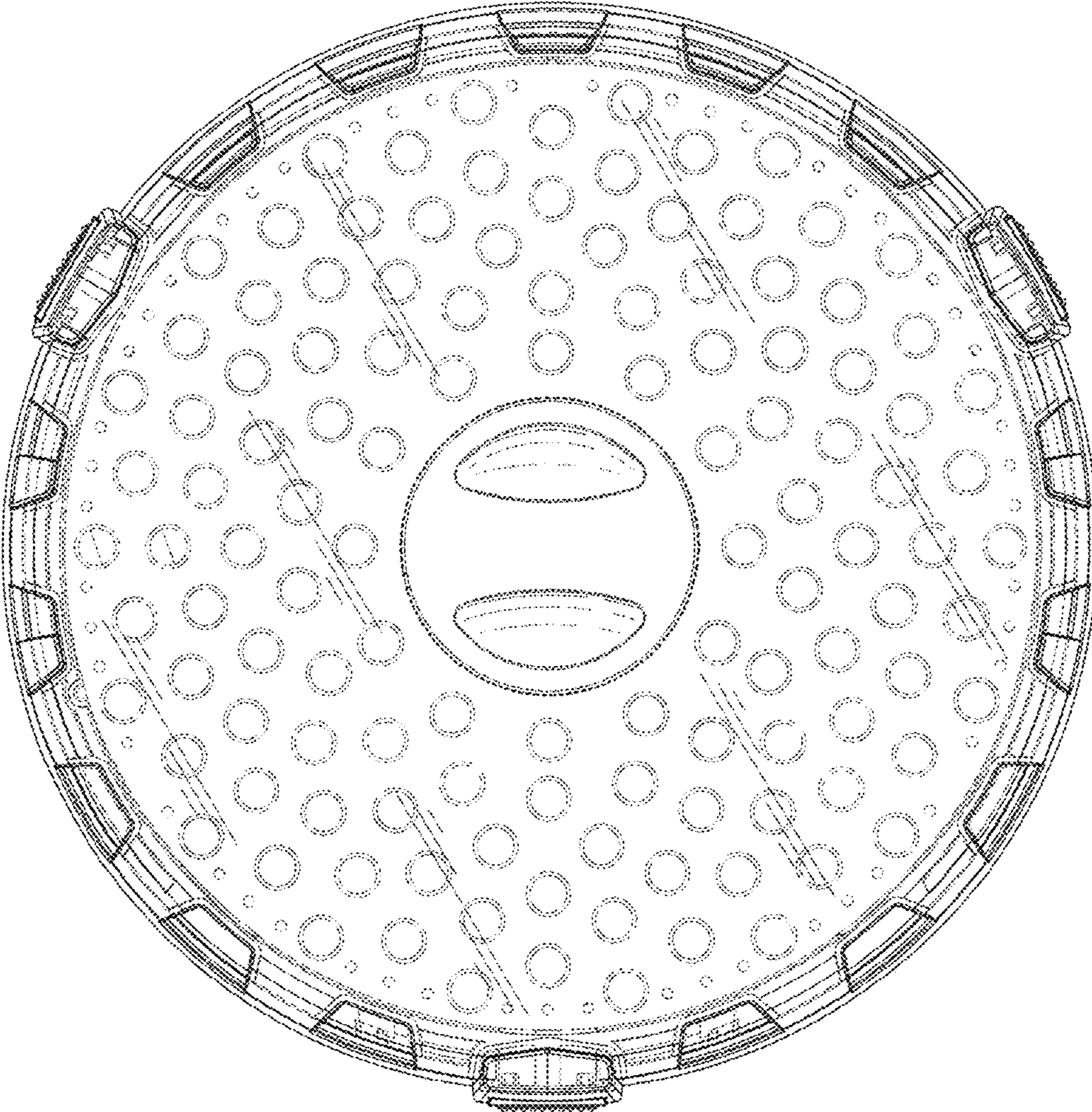


FIG. 9

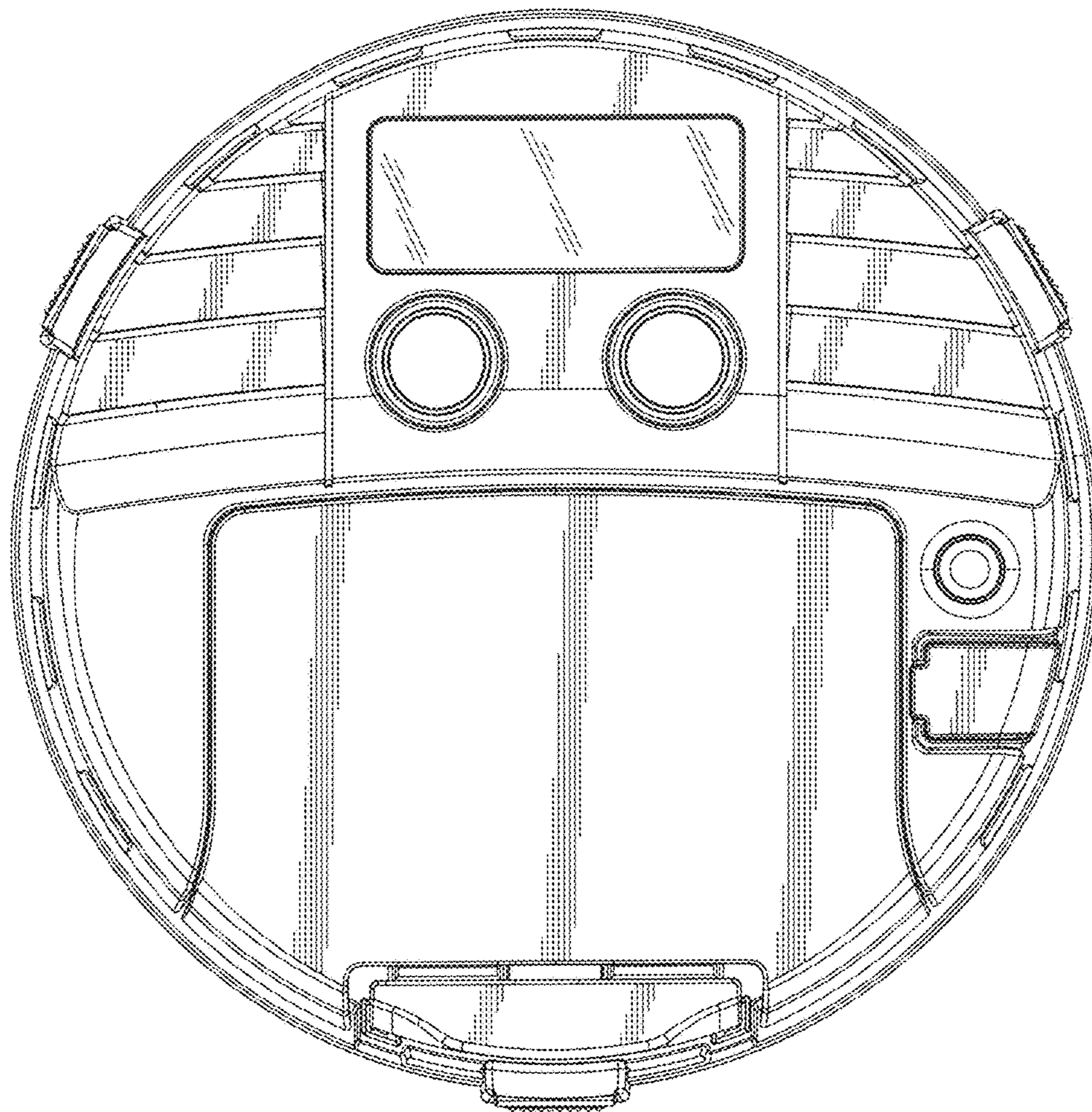


FIG. 10

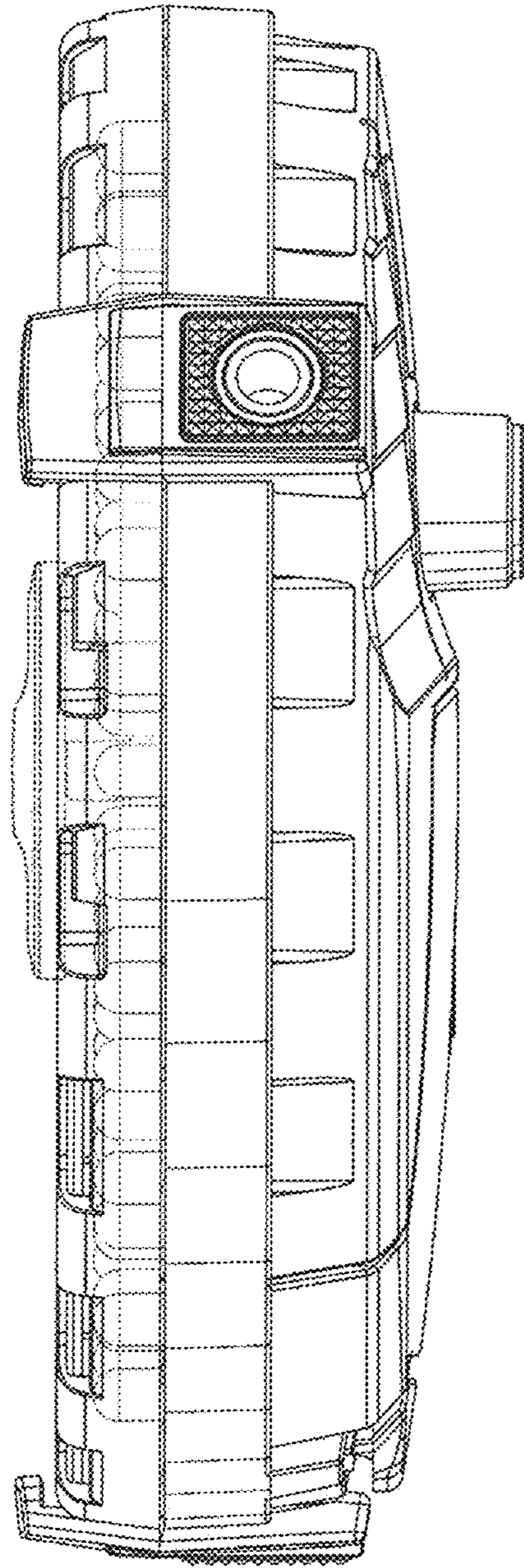


FIG. 11

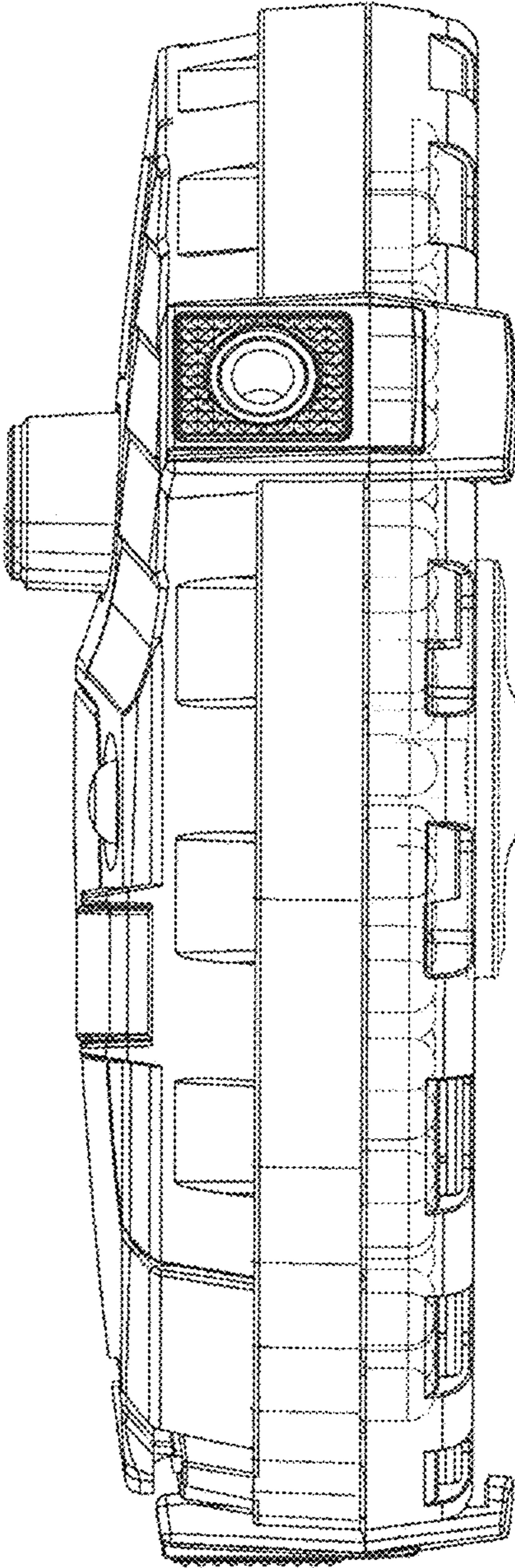


FIG. 12

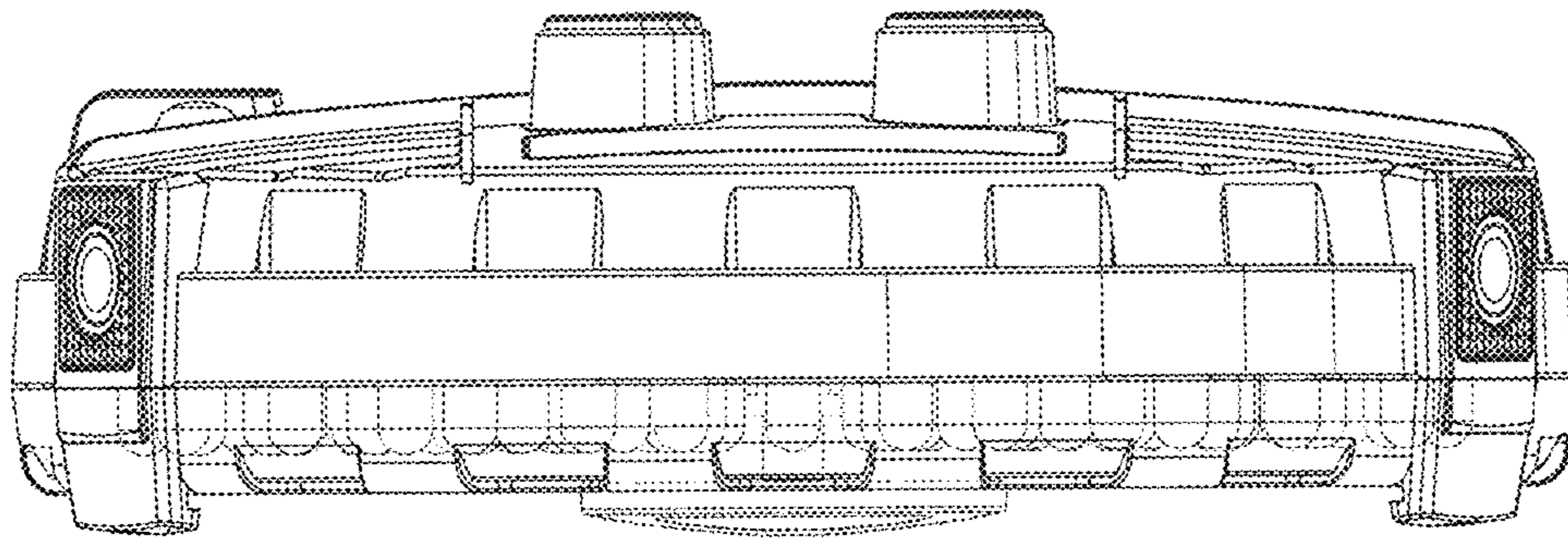


FIG. 13

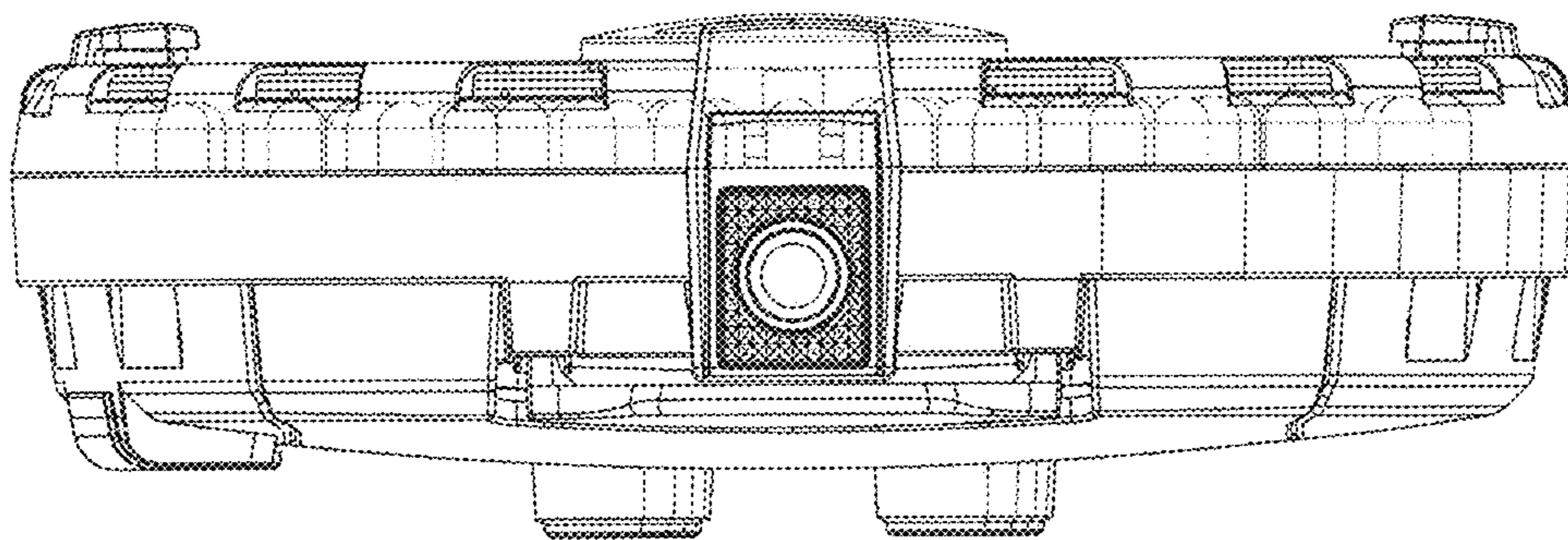


FIG. 14