



US00D776185S

(12) **United States Design Patent**
Nohara

(10) **Patent No.:** **US D776,185 S**
(45) **Date of Patent:** **** Jan. 10, 2017**

(54) **DIGITAL CAMERA**

(71) Applicant: **OLYMPUS CORPORATION**,
Shibuya-ku, Tokyo (JP)

(72) Inventor: **Takeshi Nohara**, Hachioji (JP)

(73) Assignee: **OLYMPUS CORPORATION**, Tokyo
(JP)

(**) Term: **15 Years**

(21) Appl. No.: **29/550,087**

(22) Filed: **Dec. 30, 2015**

(30) **Foreign Application Priority Data**

Aug. 5, 2015 (JP) 2015-017434

(51) **LOC (10) Cl.** **16-05**

(52) **U.S. Cl.**
USPC **D16/219**

(58) **Field of Classification Search**

USPC D3/263, 267, 268; D16/134, 136, 200,
D16/202, 206, 208, 209, 218, 219;
348/294, 348/373-376; 396/301, 539-541
CPC G03B 15/03; G03B 17/02; G03B 17/04;
G03B 17/56; H04N 5/2251; H04N
5/2252; H04N 5/2254; H04N 5/2256
See application file for complete search history.

(56) **References Cited**

U.S. PATENT DOCUMENTS

D519,140 S * 4/2006 Nasu D16/200
D552,646 S * 10/2007 Bai D16/200
D640,301 S * 6/2011 Nohara D16/202
D657,808 S * 4/2012 Woodman D16/200
D676,475 S * 2/2013 Tainaka D16/200
D681,090 S * 4/2013 Tainaka D16/200

D681,710 S * 5/2013 Sato D16/200
D683,382 S * 5/2013 Tainaka D16/200
D684,203 S * 6/2013 Uemachi D16/200
D684,204 S * 6/2013 Uemachi D16/200
D691,186 S * 10/2013 Song D16/200
D695,802 S * 12/2013 Kim D16/200
D696,331 S * 12/2013 Sato D16/200
D697,960 S * 1/2014 Sato D16/200
D698,838 S * 2/2014 Tainaka D16/200
D698,839 S * 2/2014 Sato D16/200
D710,425 S * 8/2014 Sato D16/200
D712,953 S * 9/2014 Nohara D16/200
D714,373 S * 9/2014 Kim D16/134
D723,086 S * 2/2015 Imamizu D16/219
D736,291 S * 8/2015 Chai D16/202
D736,300 S * 8/2015 Nagaoka D16/219
D744,569 S * 12/2015 Lee D16/202

(Continued)

Primary Examiner — Rosemary K Tarcza

Assistant Examiner — Yolanda Robinson

(74) *Attorney, Agent, or Firm* — Holtz, Holtz & Volek PC

(57) **CLAIM**

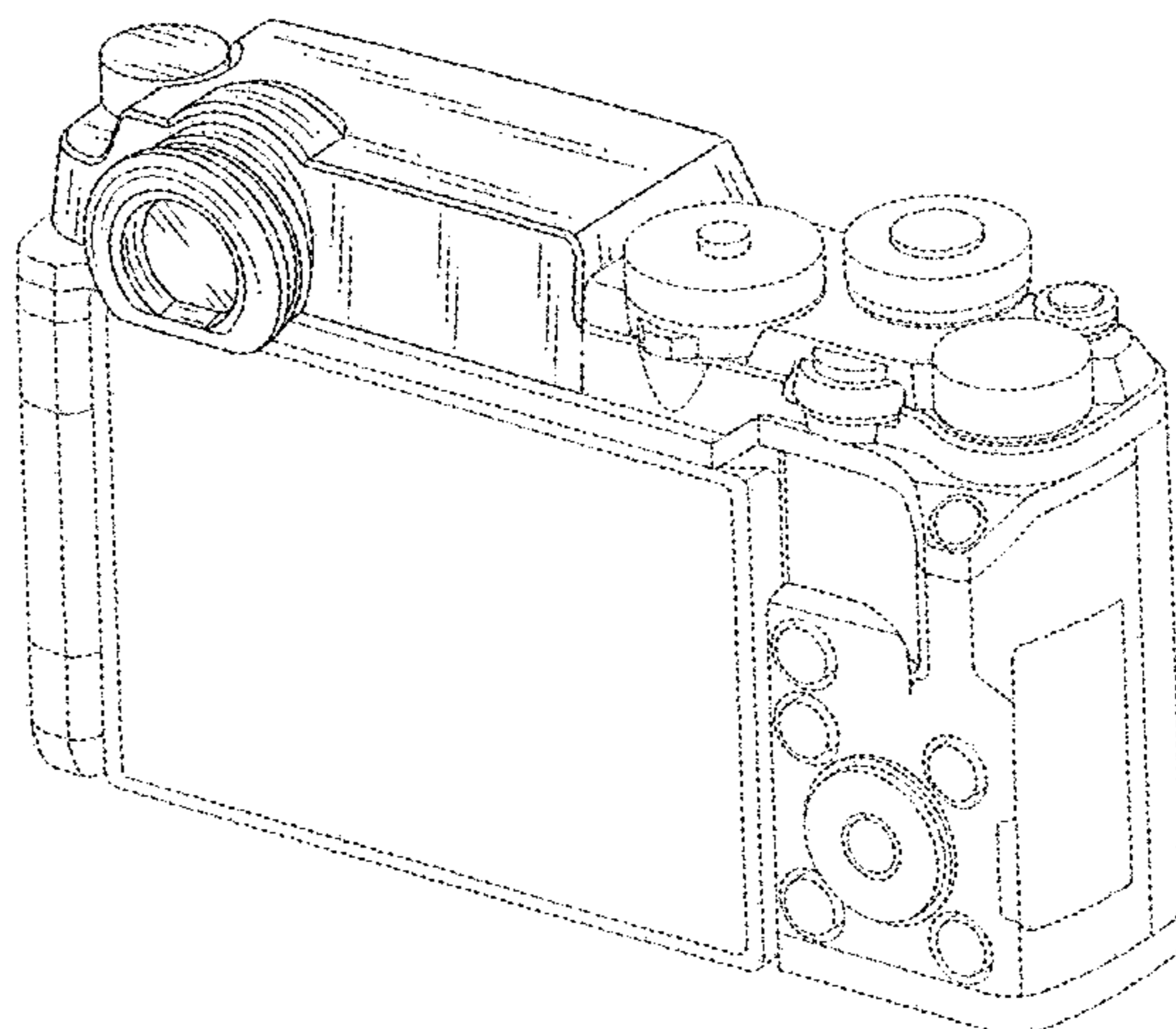
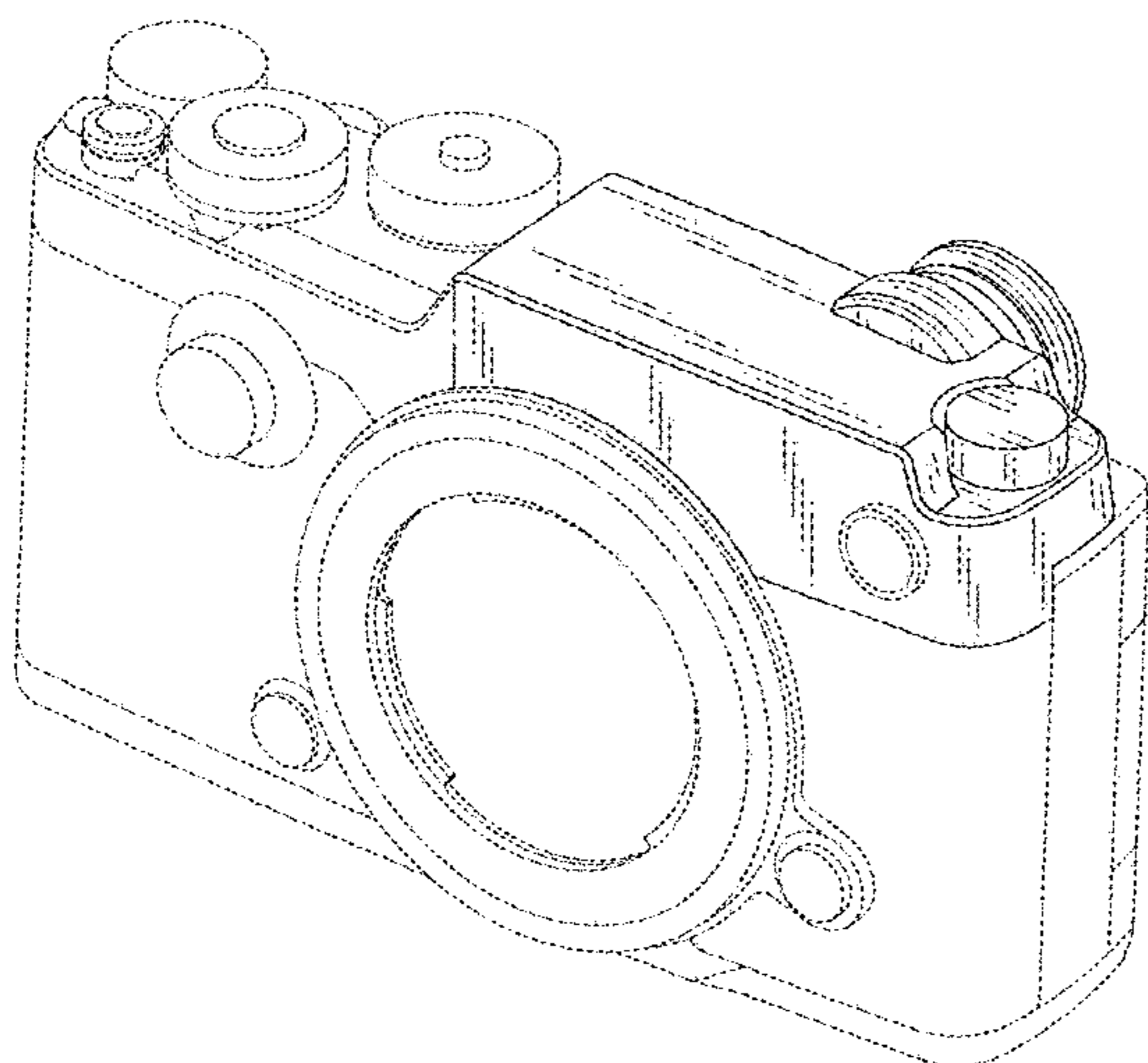
The ornamental design for a digital camera, as shown and described.

DESCRIPTION

FIG. 1 is a front, top and right side perspective view of a digital camera showing my new design;
FIG. 2 is a rear, top and left side perspective view thereof;
FIG. 3 is a front elevational view thereof;
FIG. 4 is a rear elevational view thereof;
FIG. 5 is a top plan view thereof;
FIG. 6 is a bottom plan view thereof;
FIG. 7 is a right side elevational view thereof; and,
FIG. 8 is a left side elevational view thereof.

The broken line showing of the digital camera is for the purpose of illustrating environmental subject matter and forms no part of the claimed design.

1 Claim, 5 Drawing Sheets



(56)

References Cited

U.S. PATENT DOCUMENTS

D745,908	S	*	12/2015	Ham	D16/202
D745,915	S	*	12/2015	Ham	D16/219
D747,395	S	*	1/2016	Soejima	D16/219
D749,664	S	*	2/2016	Kamei	D16/219
D750,150	S	*	2/2016	Cho	D16/219
D755,877	S	*	5/2016	Uemachi	D16/219
D759,742	S	*	6/2016	Kim	D16/200
D764,560	S	*	8/2016	Jang	D16/202
D766,353	S	*	9/2016	Hayashi	D16/219
2012/0106944	A1	*	5/2012	Johnson	G03B 17/56 396/428
2015/0215507	A1	*	7/2015	Odagaki	H04N 5/2254 348/375

* cited by examiner

FIG.1

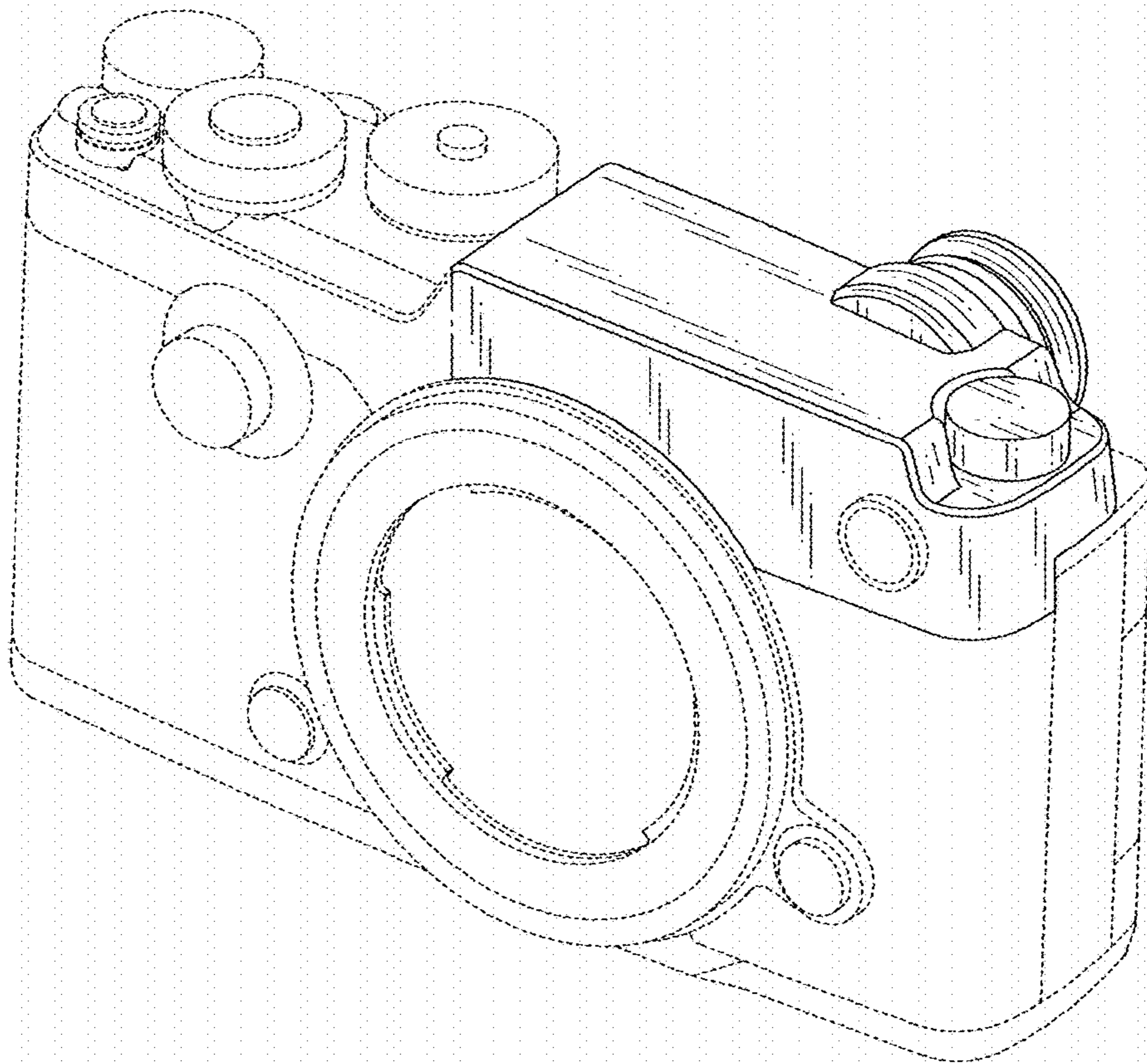


FIG.2

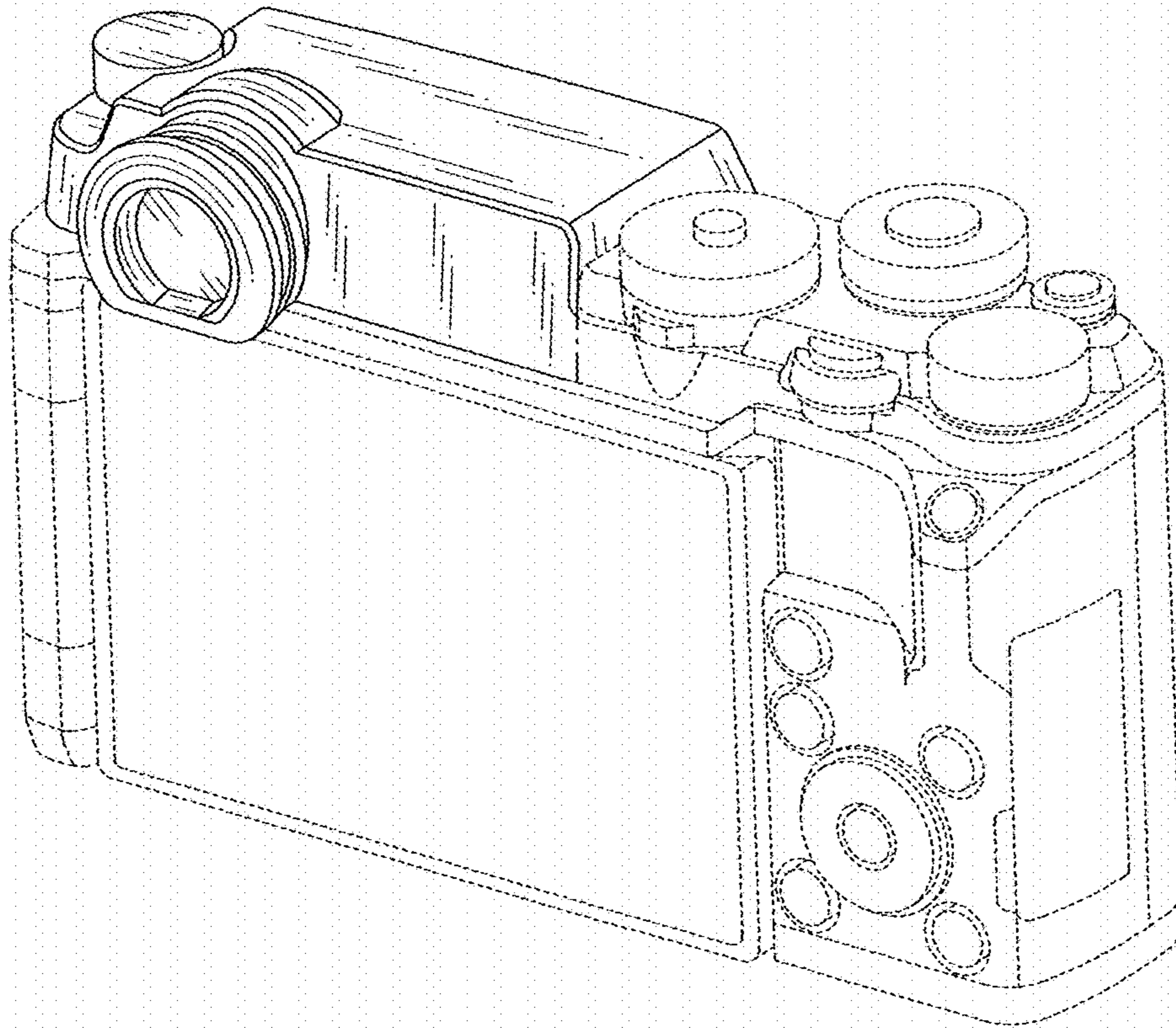


FIG.3

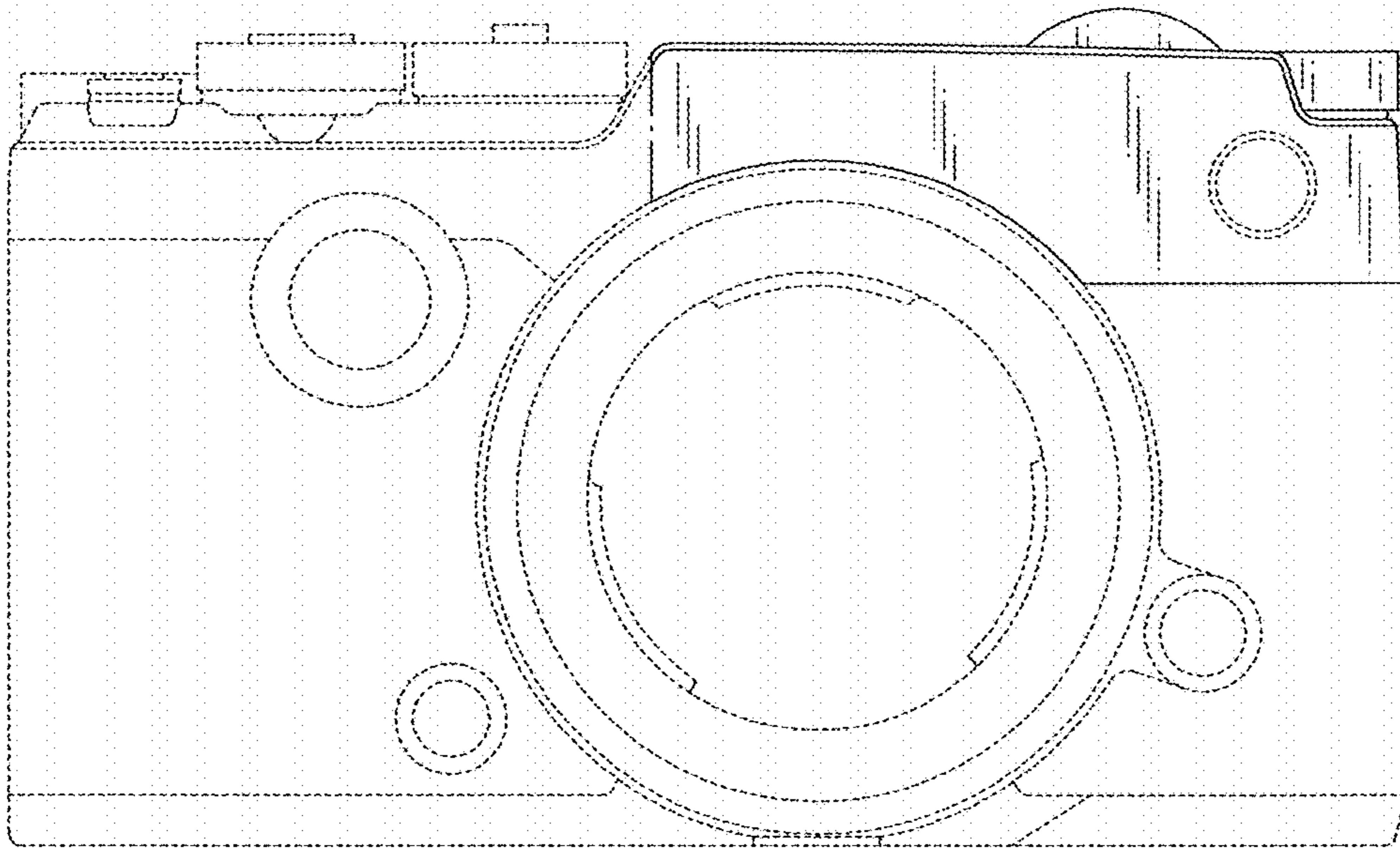


FIG.4

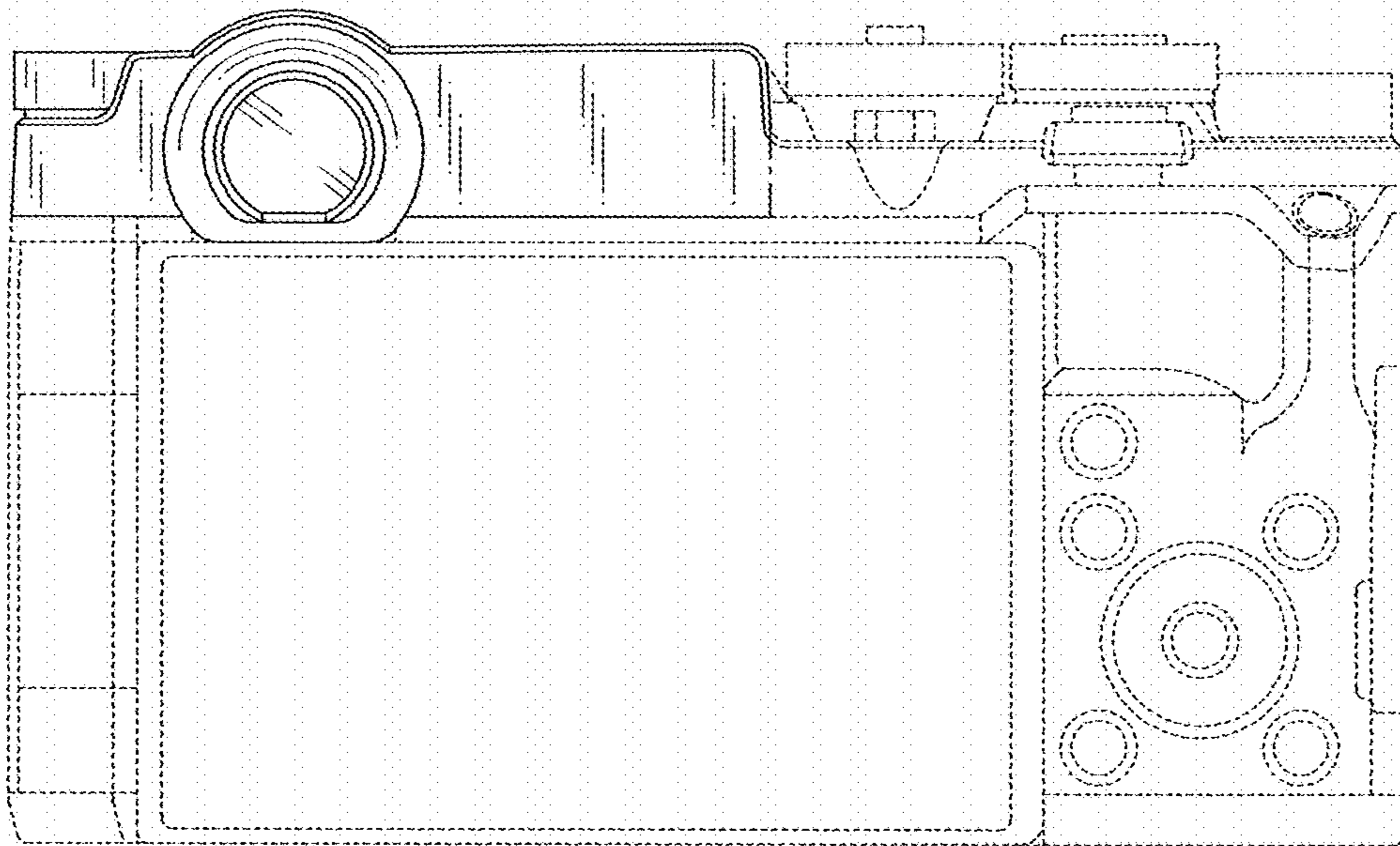


FIG.5

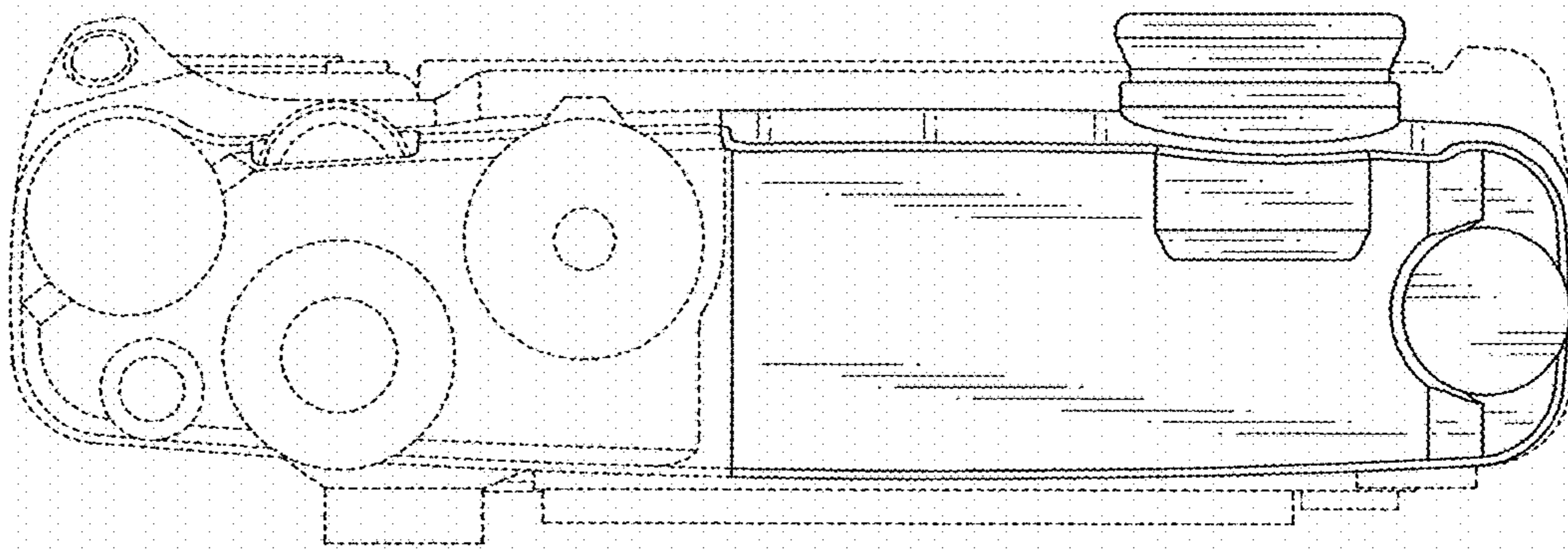


FIG.6

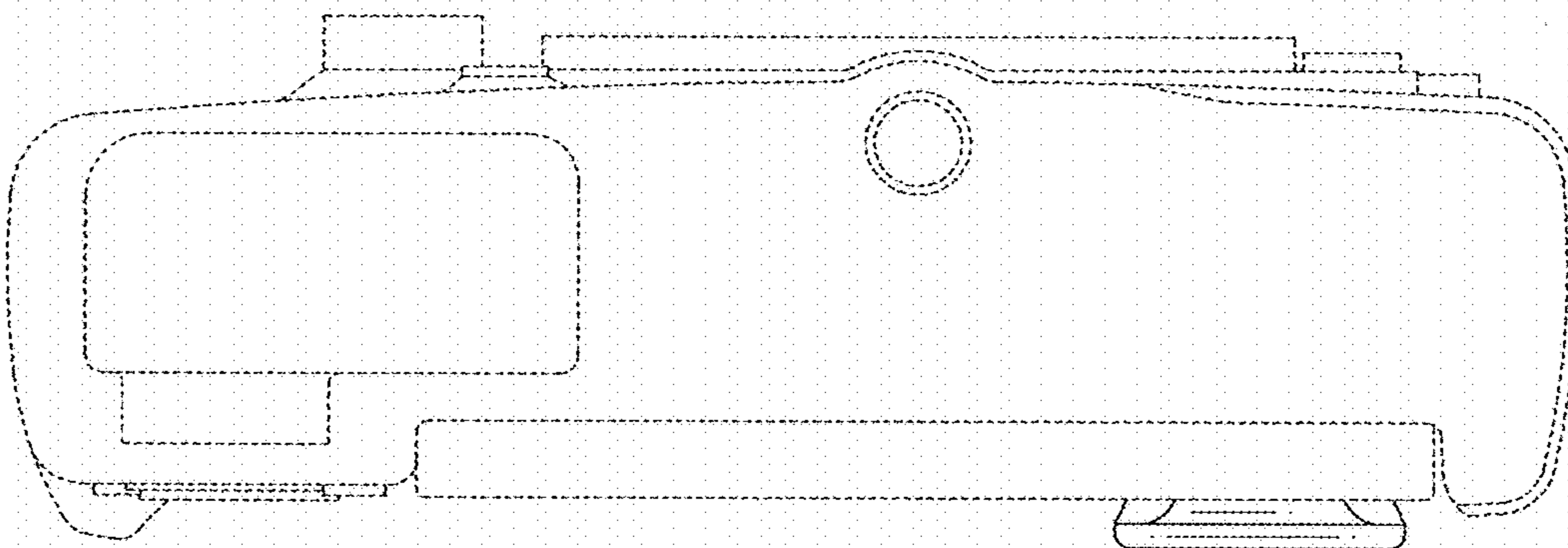


FIG.7

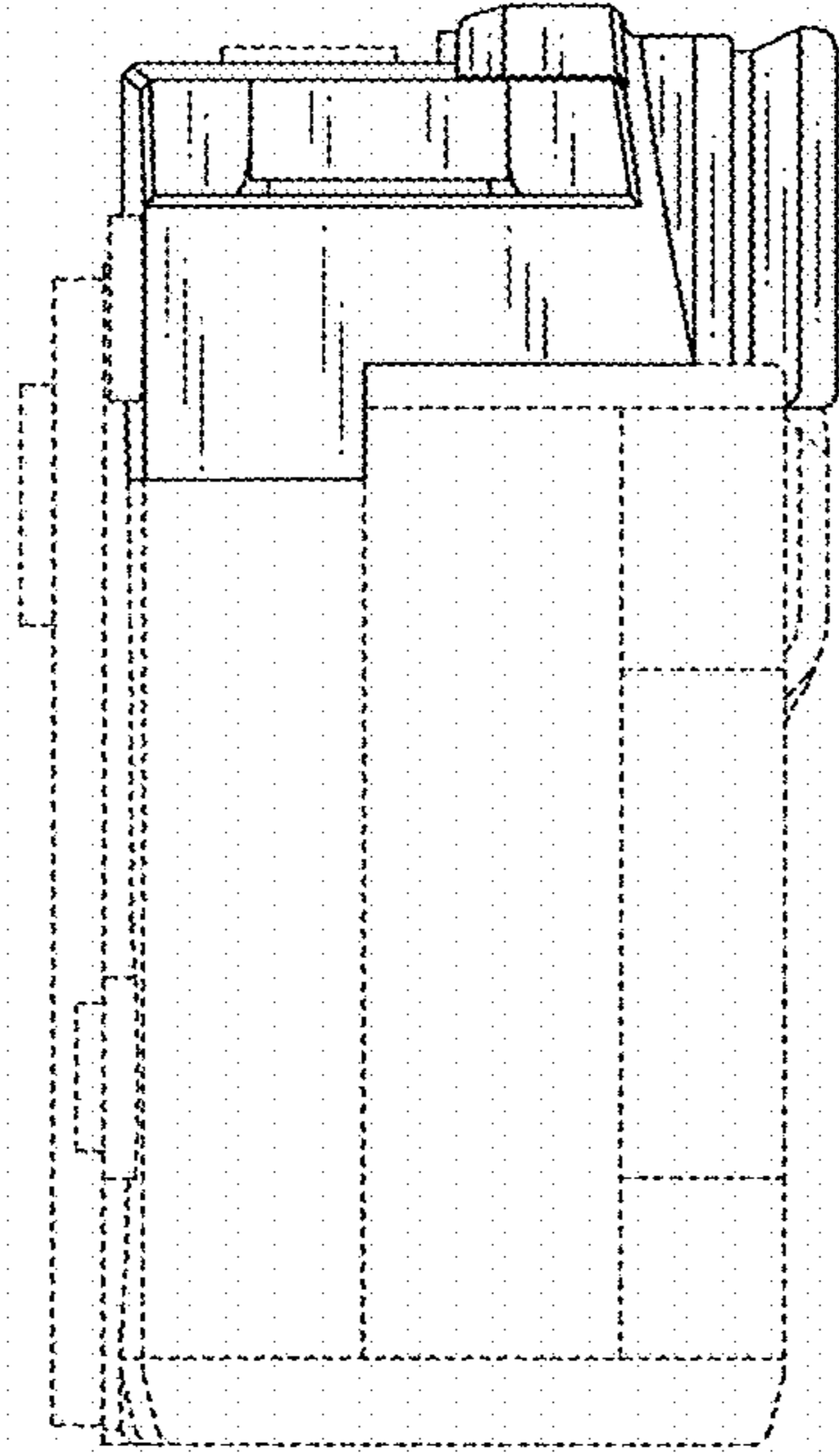


FIG.8

