



US00D776182S

(12) **United States Design Patent** (10) **Patent No.:** **US D776,182 S**
Lagerstedt et al. (45) **Date of Patent:** **** Jan. 10, 2017**

(54) **CAMERA**
(71) Applicant: **Savant Systems, LLC**, Hyannis, MA (US)
(72) Inventors: **Jonas Lagerstedt**, San Francisco, CA (US); **Robert Brunner**, San Francisco, CA (US)
(73) Assignee: **Savant Systems, LLC**, Hyannis, MA (US)
(**) Term: **15 Years**
(21) Appl. No.: **29/541,374**
(22) Filed: **Oct. 2, 2015**
(51) **LOC (10) Cl.** **16-01**
(52) **U.S. Cl.**
USPC **D16/218**
(58) **Field of Classification Search**
USPC D16/134, 136, 200, 202–206, D16/208–209, 218, 219; 348/36, 335, D16/373–376; 359/554, 359/826–828; 396/72, 529–532, 535, 539–541
CPC G03B 15/03; G03B 17/02; G03B 17/04; G03B 17/56; G03B 19/04; H04N 5/2251; H04N 5/2252; H04N 5/2253; H04N 5/2254; H04N 2101/00
See application file for complete search history.

D554,682 S 11/2007 Martinez et al.
D627,814 S 11/2010 Tzeng et al.
D628,223 S 11/2010 Kao et al.
D648,766 S 11/2011 Chen
D659,733 S 5/2012 Chen
D693,869 S * 11/2013 Asano D16/219
D716,361 S * 10/2014 Tsuge D16/218
D718,362 S * 11/2014 Noh D16/219
D728,661 S * 5/2015 Kim D16/219
D730,422 S * 5/2015 Kim D16/218
D740,342 S * 10/2015 Asano D16/219
D744,024 S * 11/2015 Oh D16/219
D751,132 S * 3/2016 Sakai D16/218
D761,340 S * 7/2016 Pacurariu D16/202
2010/0284081 A1 * 11/2010 Gutierrez G02B 7/102 359/554
2014/0098278 A1 * 4/2014 Koyama G02B 7/04 348/335

* cited by examiner

Primary Examiner — Susan E Krakower
Assistant Examiner — Ramzi Almatrahi
(74) *Attorney, Agent, or Firm* — Cesari and McKenna, LLP; James A. Blanchette

(57) **CLAIM**

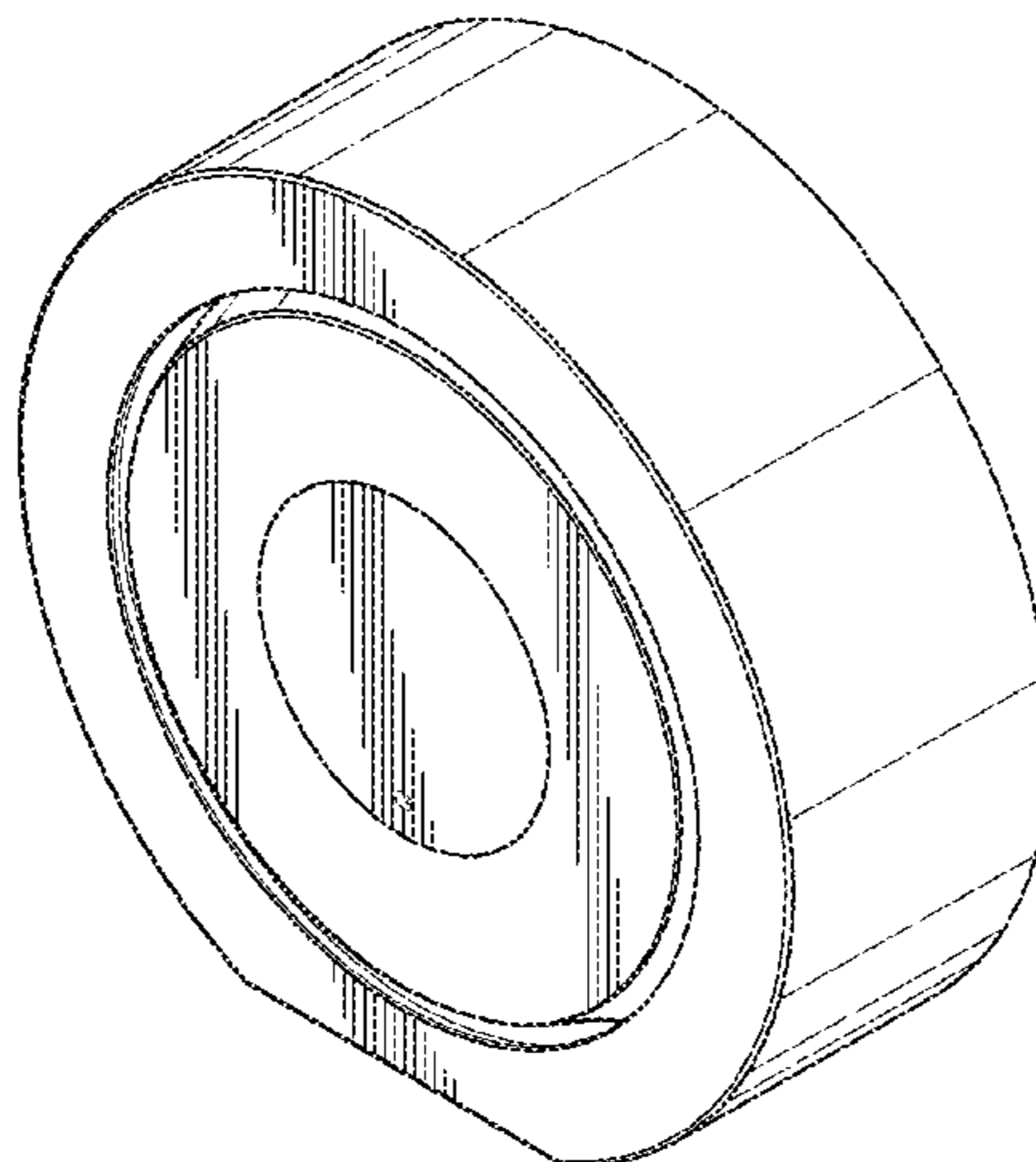
We claim the ornamental design for a camera, as shown and described.

DESCRIPTION

FIG. 1 is a perspective view of a camera showing our new design;
FIG. 2 is a top plan view thereof;
FIG. 3 is a left side elevational view thereof;
FIG. 4 is a front elevational view thereof;
FIG. 5 is a right side elevational view thereof;
FIG. 6 is a back elevational view thereof; and,
FIG. 7 is a bottom plan view thereof.
The broken lines depict portions of a camera in which the design is embodied that form no part of the claimed design.

1 Claim, 4 Drawing Sheets

(56) **References Cited**
U.S. PATENT DOCUMENTS
D325,212 S 4/1992 Elberbaum
D349,714 S 8/1994 Hasegawa
D349,911 S 8/1994 Shimizu et al.
D440,244 S 4/2001 Prather et al.
D476,345 S 6/2003 Phelps et al.
D542,820 S 5/2007 Depay
D554,168 S 10/2007 Shi et al.
D554,170 S 10/2007 Grotto



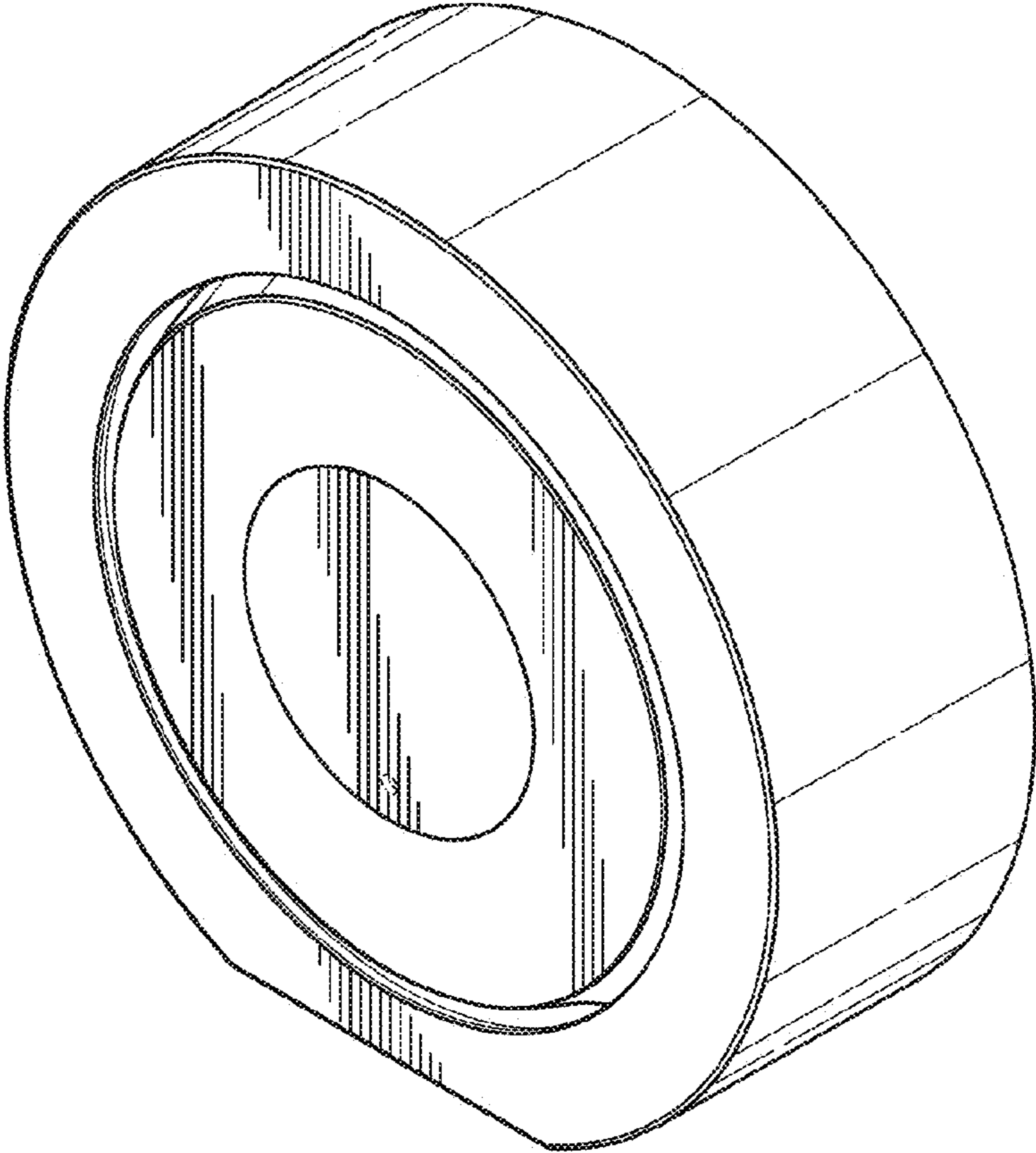


FIG. 1

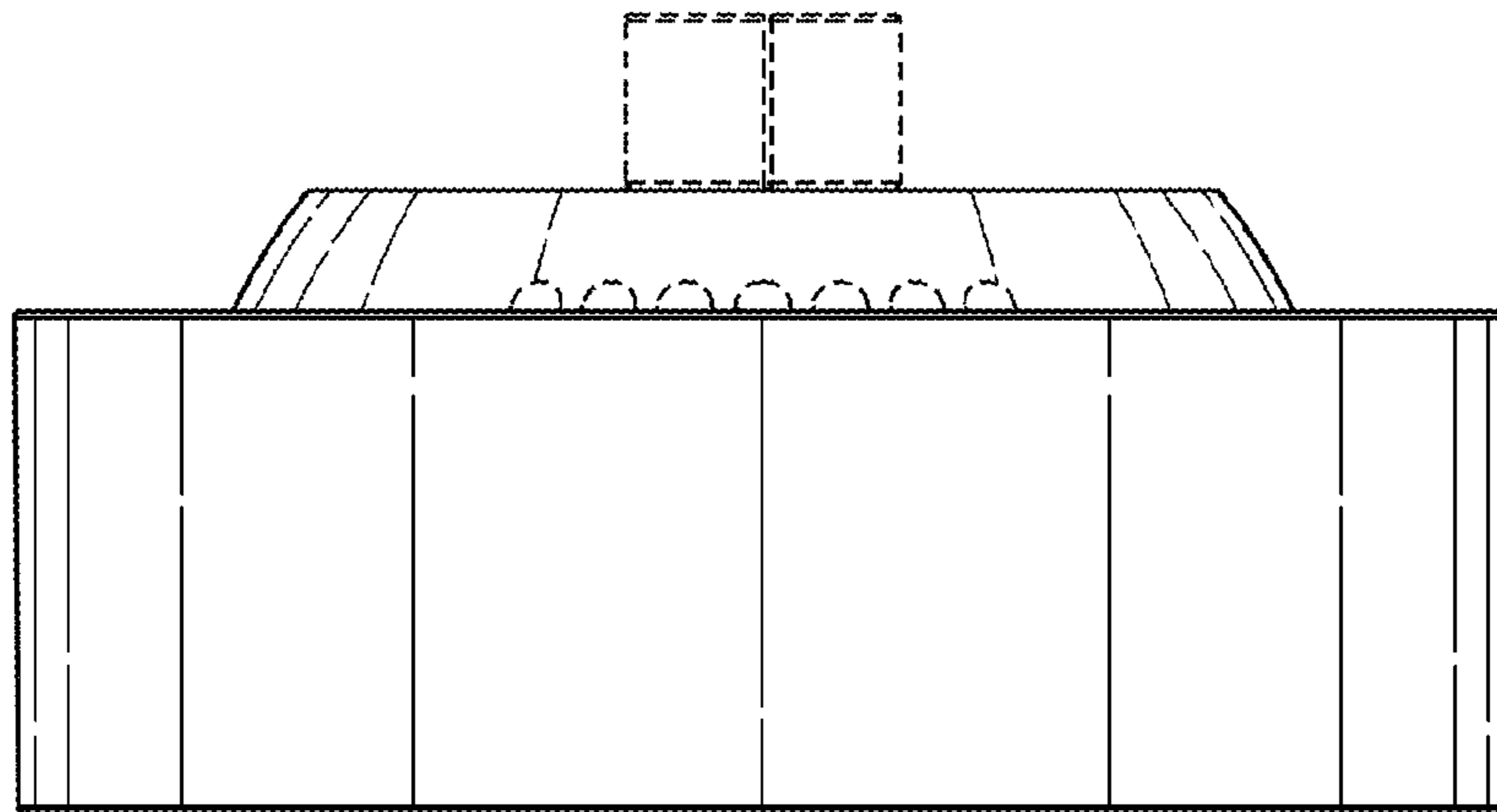


FIG. 2

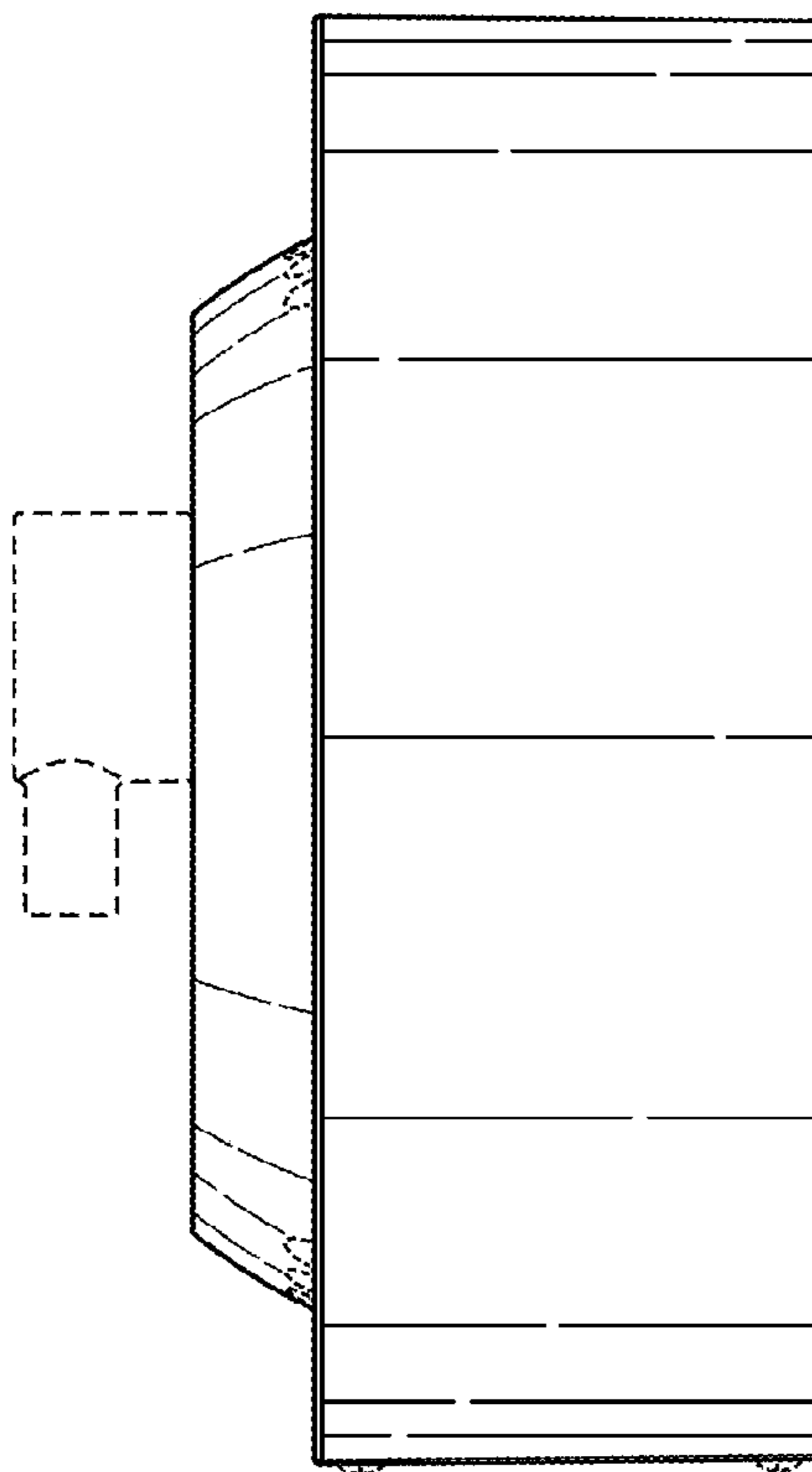


FIG. 3

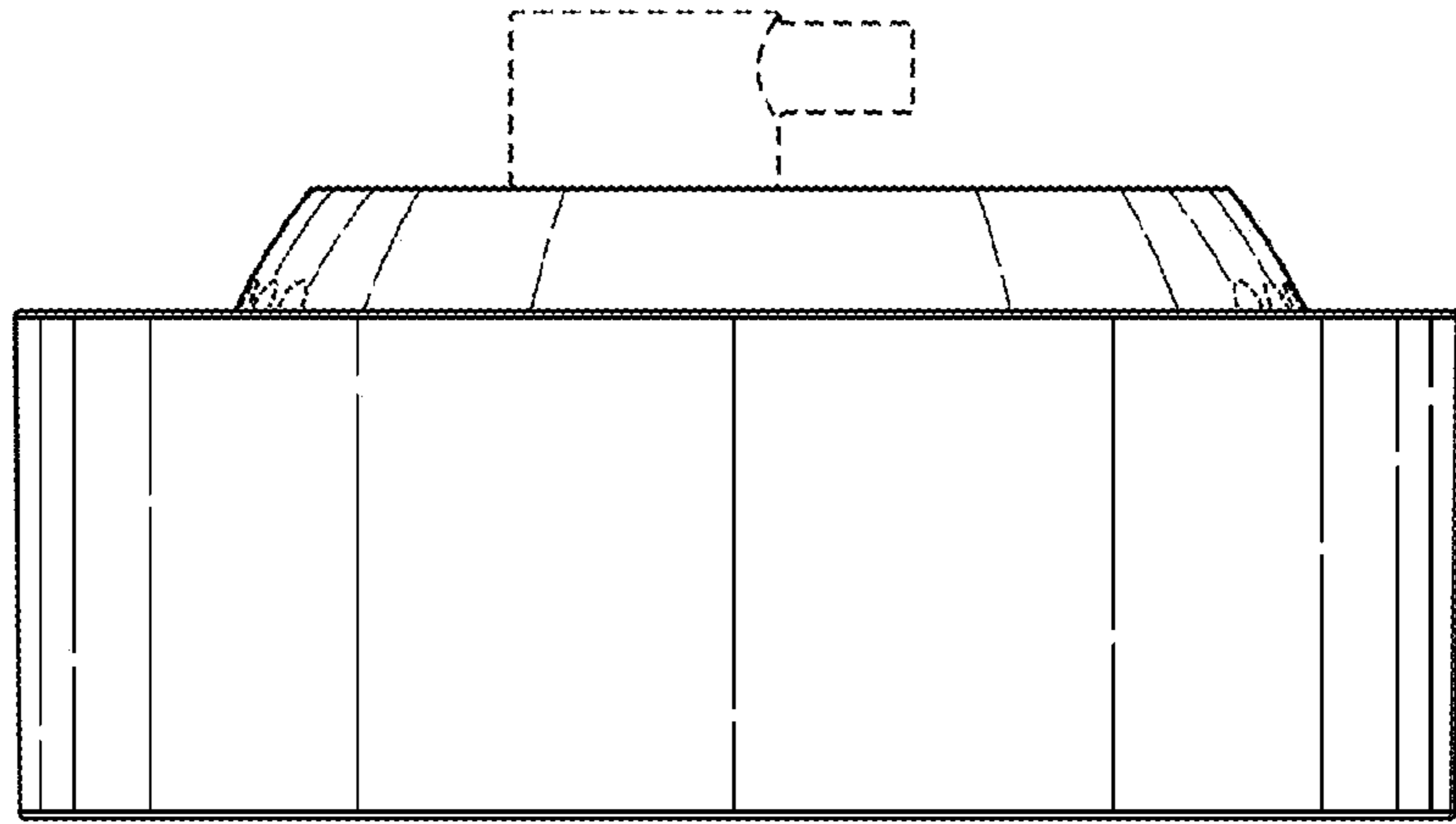


FIG. 5

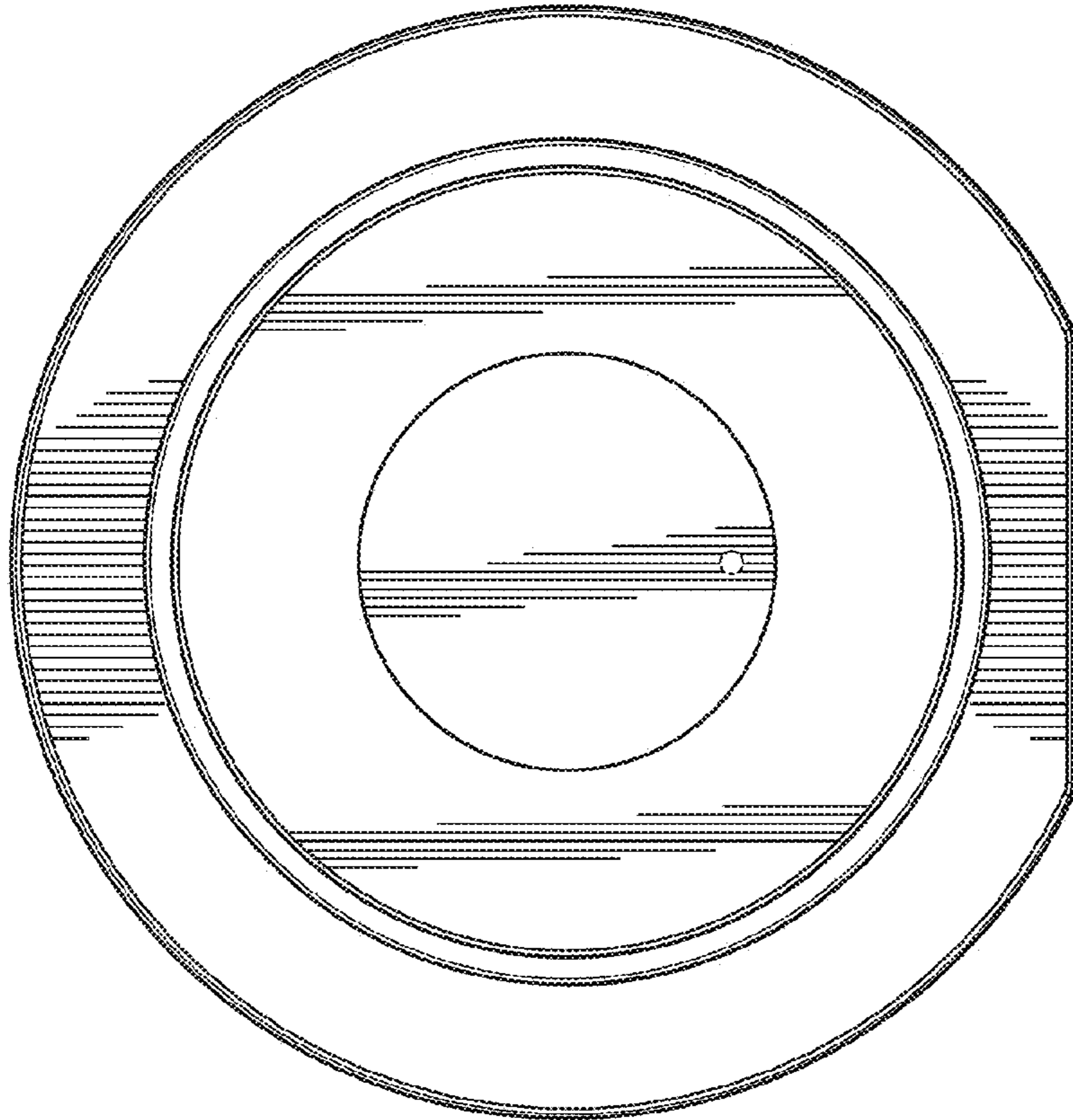


FIG. 4

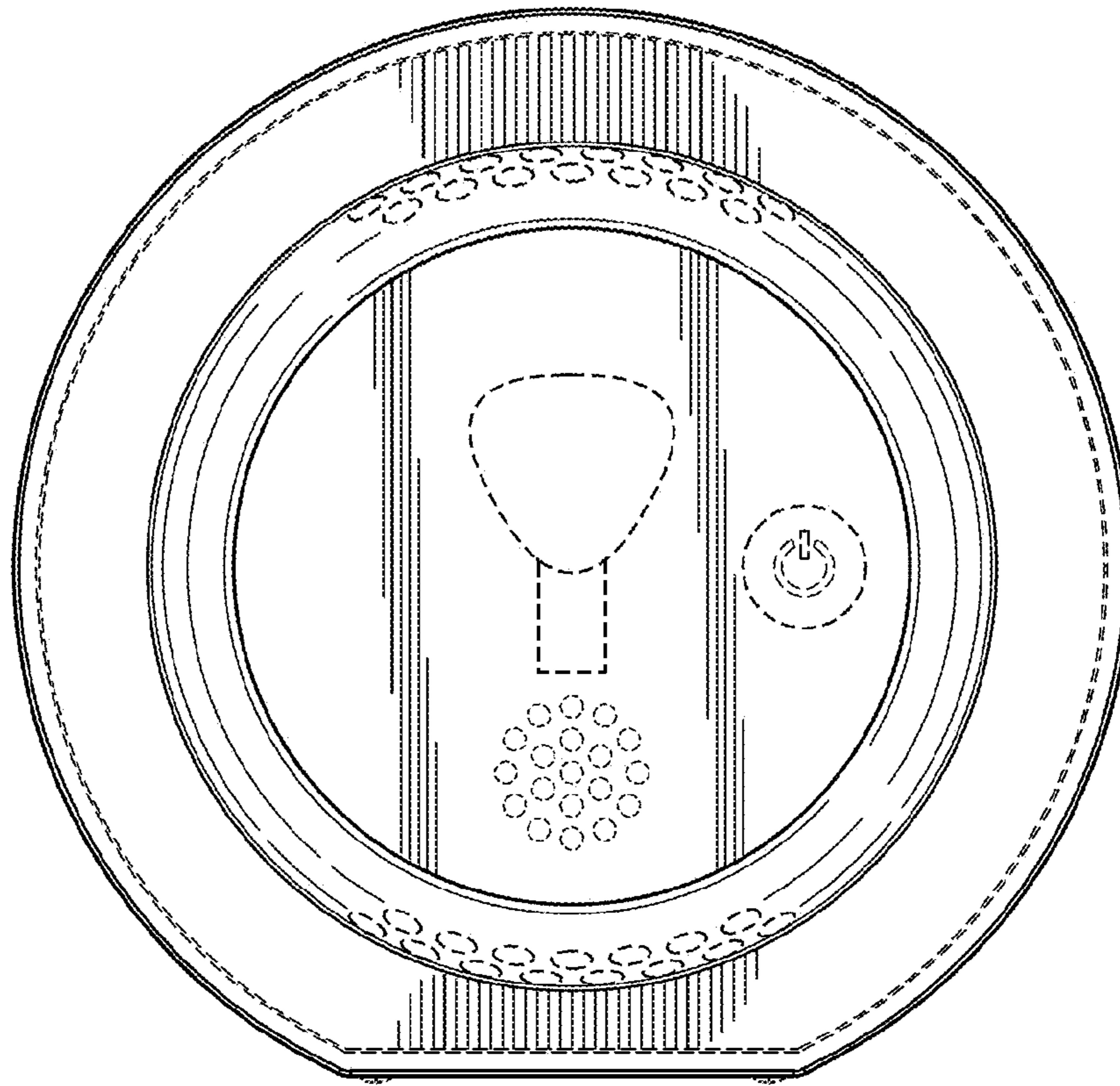


FIG. 6

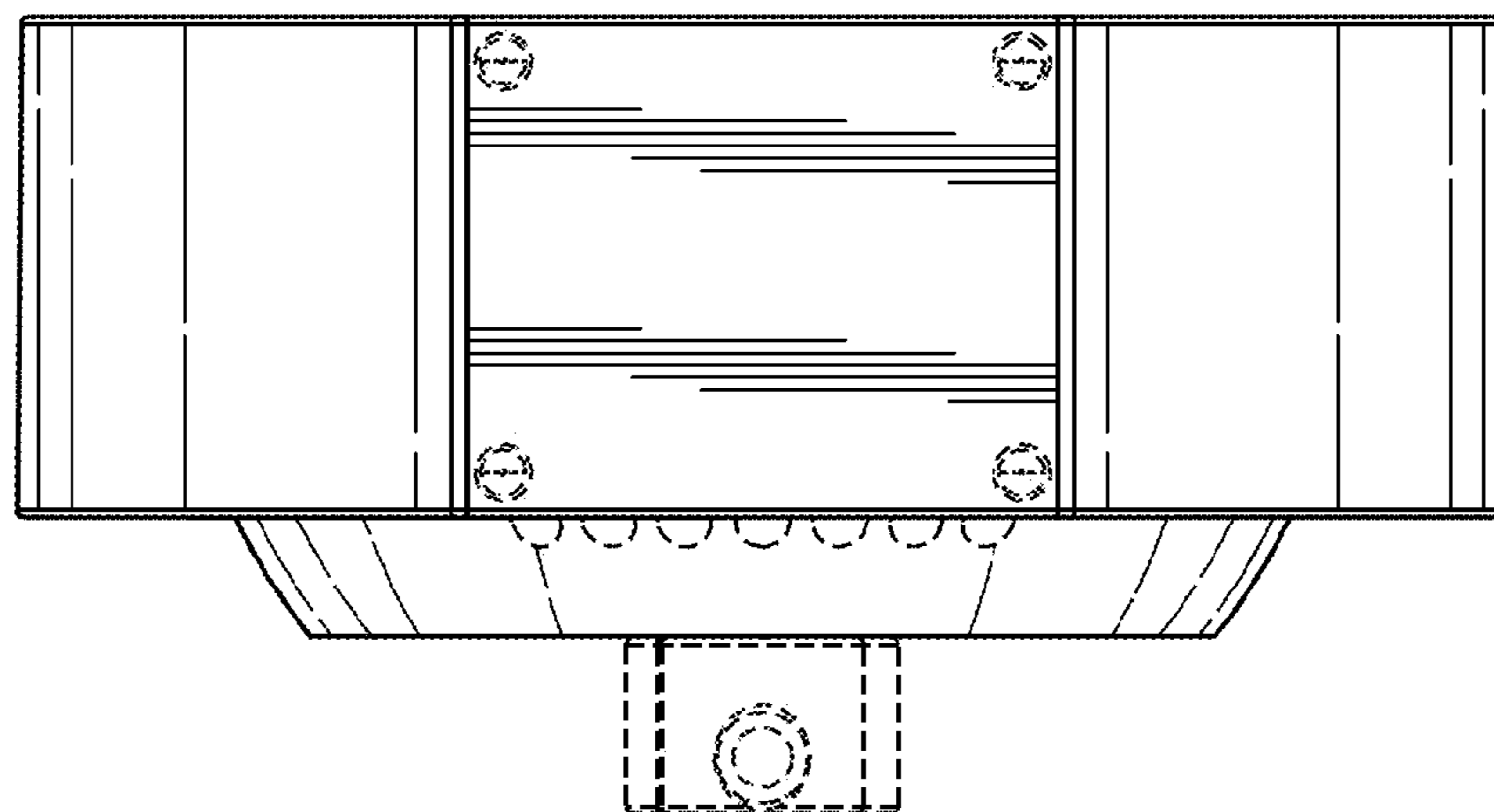


FIG. 7