



US00D776180S

(12) **United States Design Patent** (10) **Patent No.:** **US D776,180 S**  
**Fiedler et al.** (45) **Date of Patent:** **\*\* Jan. 10, 2017**

(54) **VIDEO GATEWAY DEVICE**  
(71) Applicant: **Fibar Group S.A.**, Poznan (PL)  
(72) Inventors: **Maciej Fiedler**, Poznan (PL); **Lukasz Gdyk**, Dabrowka (PL)  
(73) Assignee: **Fibar Group S.A.** (PL)  
(\*\*) Term: **15 Years**

D729,859 S \* 5/2015 Shin ..... D16/203  
D730,422 S \* 5/2015 Kim ..... D16/218  
D742,954 S \* 11/2015 Simonelli ..... D16/203  
D743,465 S \* 11/2015 Aglassinger ..... D16/203  
D745,916 S \* 12/2015 Oh ..... D16/134  
D747,756 S \* 1/2016 Scalisi ..... D16/203  
D748,178 S \* 1/2016 Scalisi ..... D10/118.2  
D748,180 S \* 1/2016 Scalisi ..... D16/203  
D752,674 S \* 3/2016 Katori ..... D16/203  
D758,470 S \* 6/2016 Kircher ..... D16/215  
2006/0170817 A1\* 8/2006 Wu ..... H04N 5/2251  
348/373

(21) Appl. No.: **29/542,352**  
(22) Filed: **Oct. 13, 2015**  
(30) **Foreign Application Priority Data**  
Apr. 13, 2015 (EP) ..... 002679852-0001  
(51) **LOC (10) Cl.** ..... **16-01**  
(52) **U.S. Cl.**  
USPC ..... **D16/202**; D16/218  
(58) **Field of Classification Search**  
USPC ..... D16/200, 202–206, 208–209, 218, 219;  
348/373–376; 396/535, 539–541  
CPC ..... G03B 15/03; G03B 17/02; G03B 17/04;  
G03B 17/56; G03B 19/04; H04N 5/2251;  
H04N 5/2252; H04N 5/2253; H04N  
5/2254; H04N 2101/00  
See application file for complete search history.

\* cited by examiner

*Primary Examiner* — Philip S Hyder  
*Assistant Examiner* — Ramzi Almatrahi  
(74) *Attorney, Agent, or Firm* — McAndrews, Held & Malloy, Ltd.

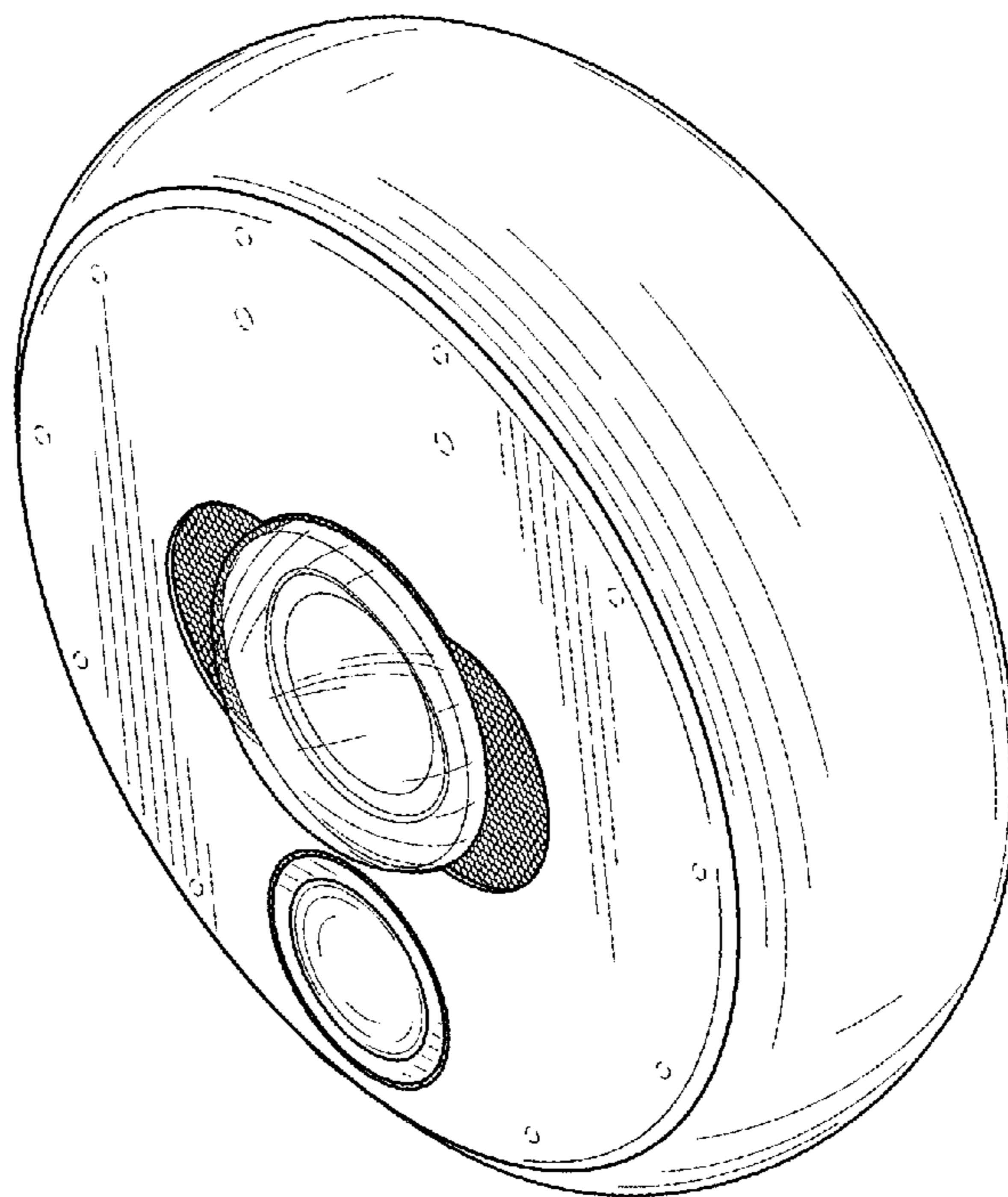
(57) **CLAIM**  
The ornamental design for a video gateway device, as shown and described.

**DESCRIPTION**

FIG. 1 is a top front perspective view of an embodiment of a video gateway device showing our new design;  
FIG. 2 is a front view thereof;  
FIG. 3 is a back view thereof;  
FIG. 4 is a left side view thereof;  
FIG. 5 is a right side view thereof;  
FIG. 6 is a top view thereof; and,  
FIG. 7 is a bottom view thereof.  
The broken lines depict portions of a video gateway device in which the design is embodied that form no part of the claimed design.

(56) **References Cited**  
U.S. PATENT DOCUMENTS  
D442,617 S \* 5/2001 Ohmori ..... D16/204  
D563,446 S \* 3/2008 Stephens ..... D16/202

**1 Claim, 3 Drawing Sheets**



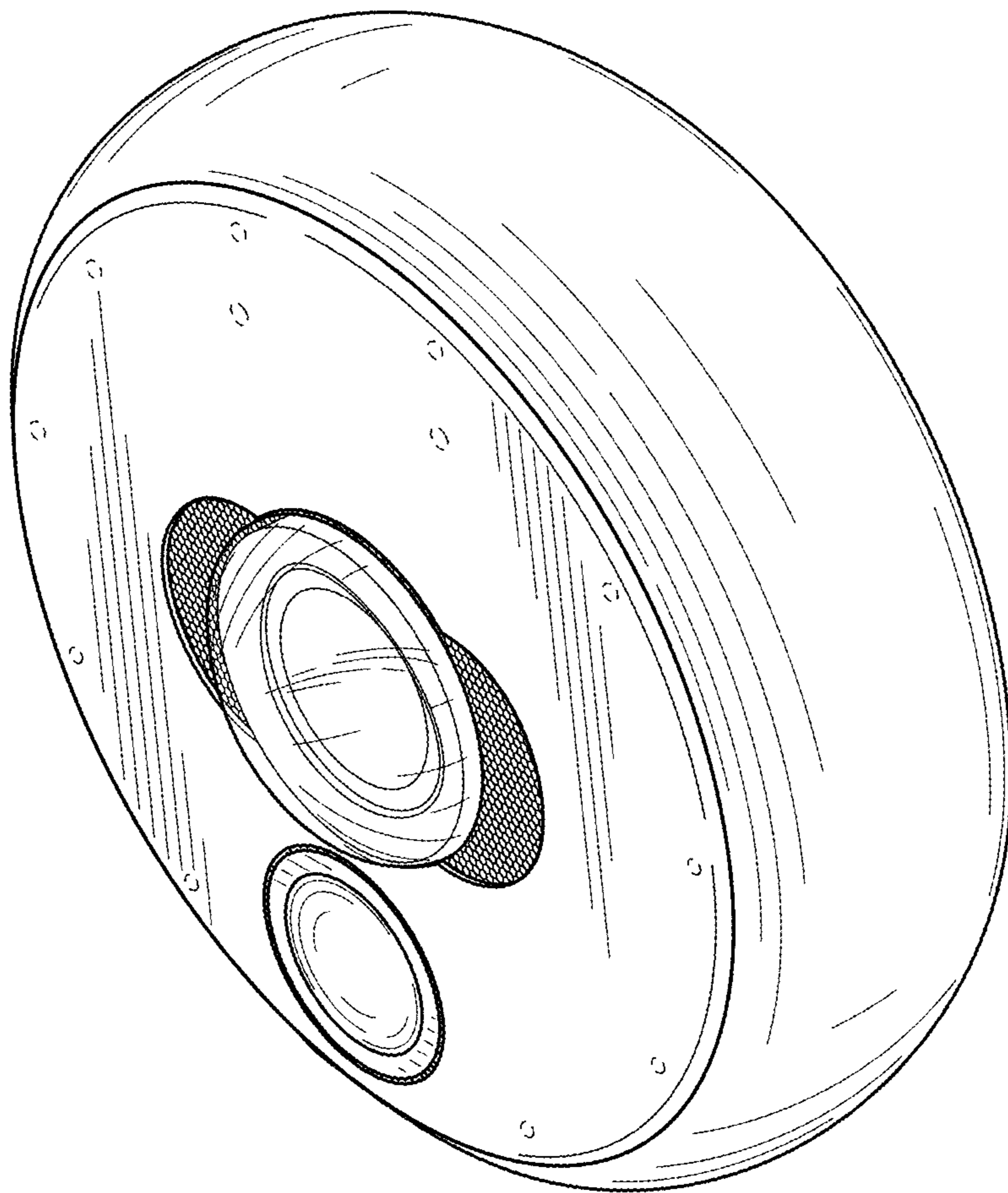


FIG. 1

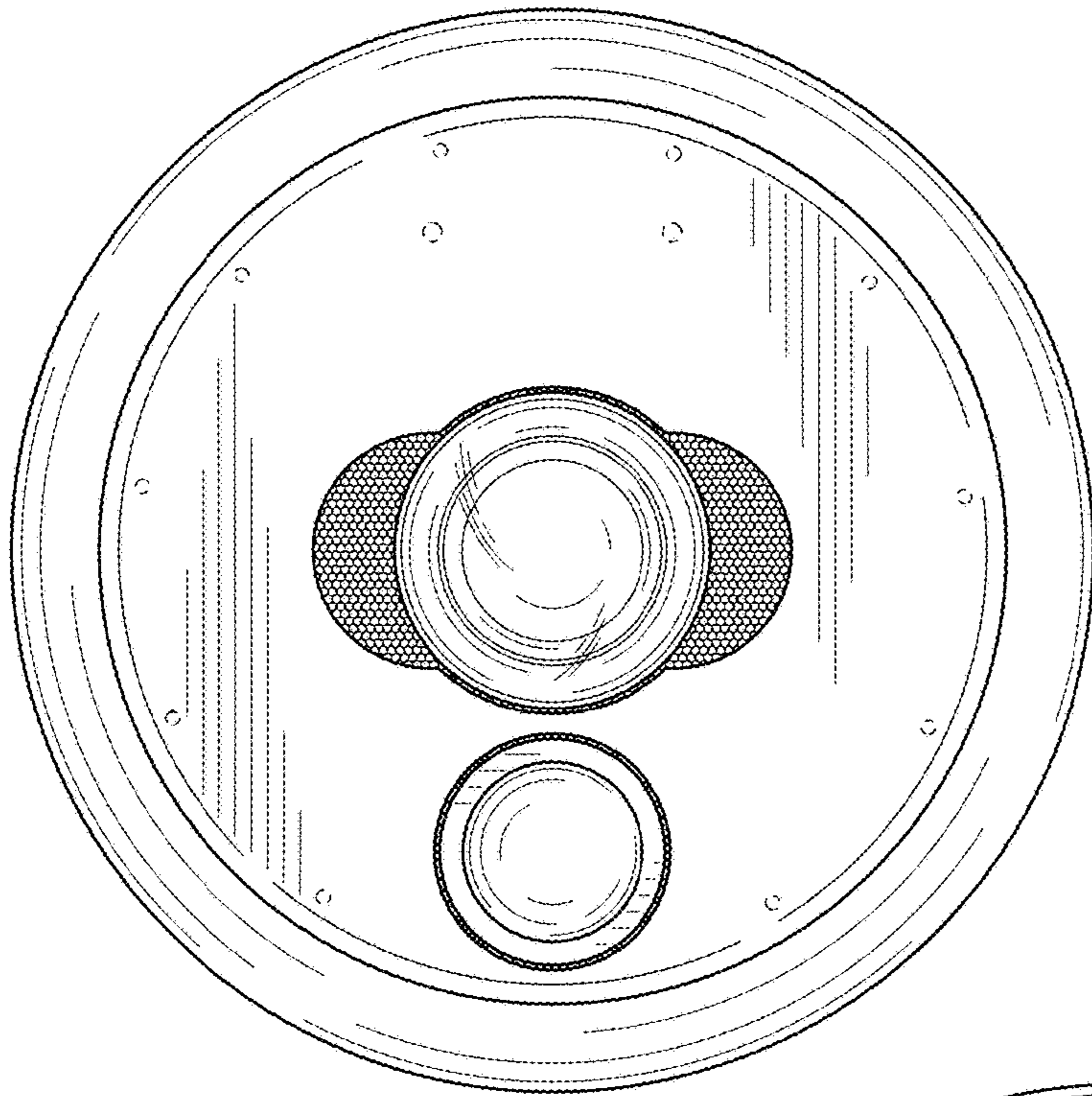


FIG. 2

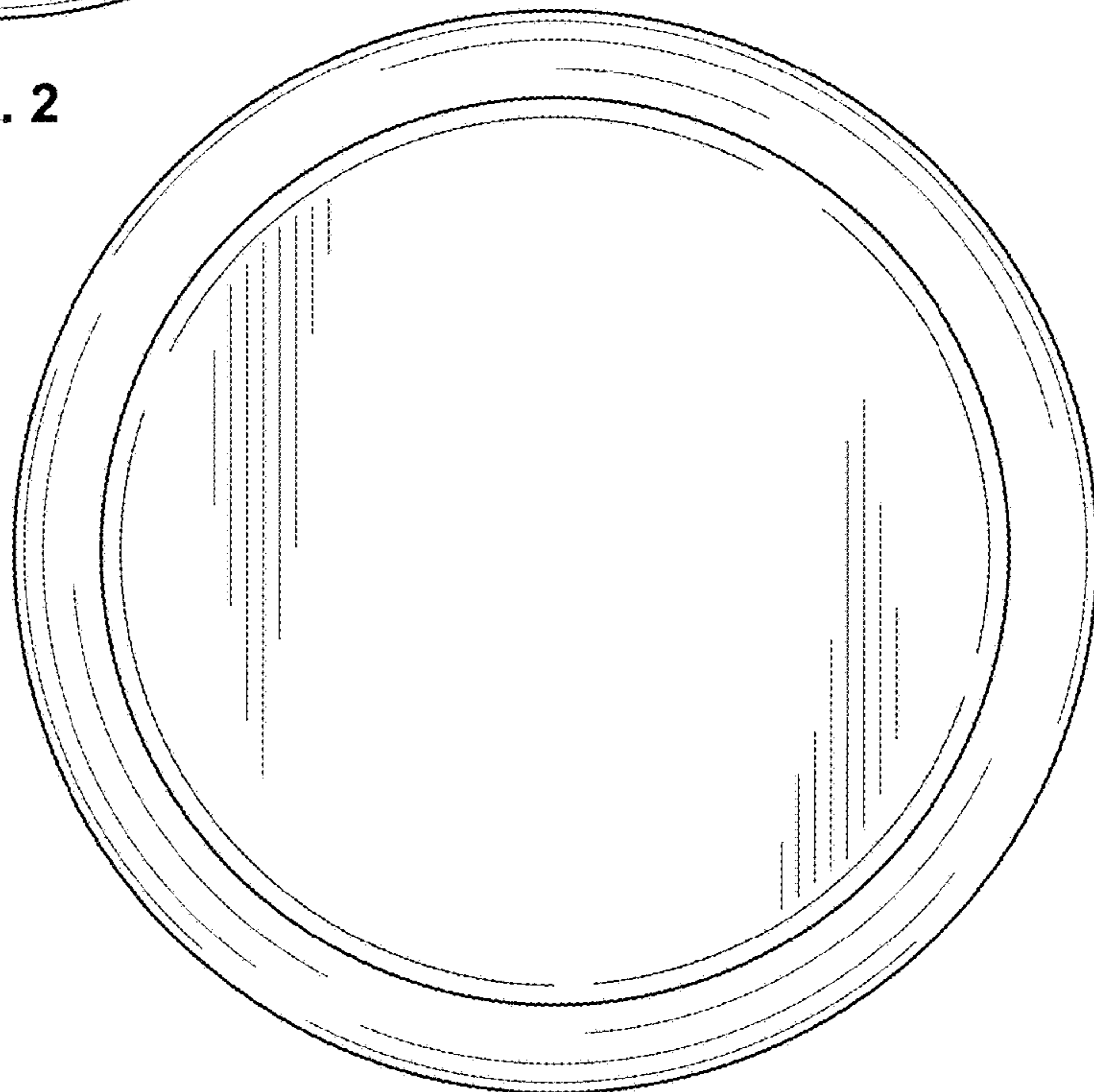


FIG. 3



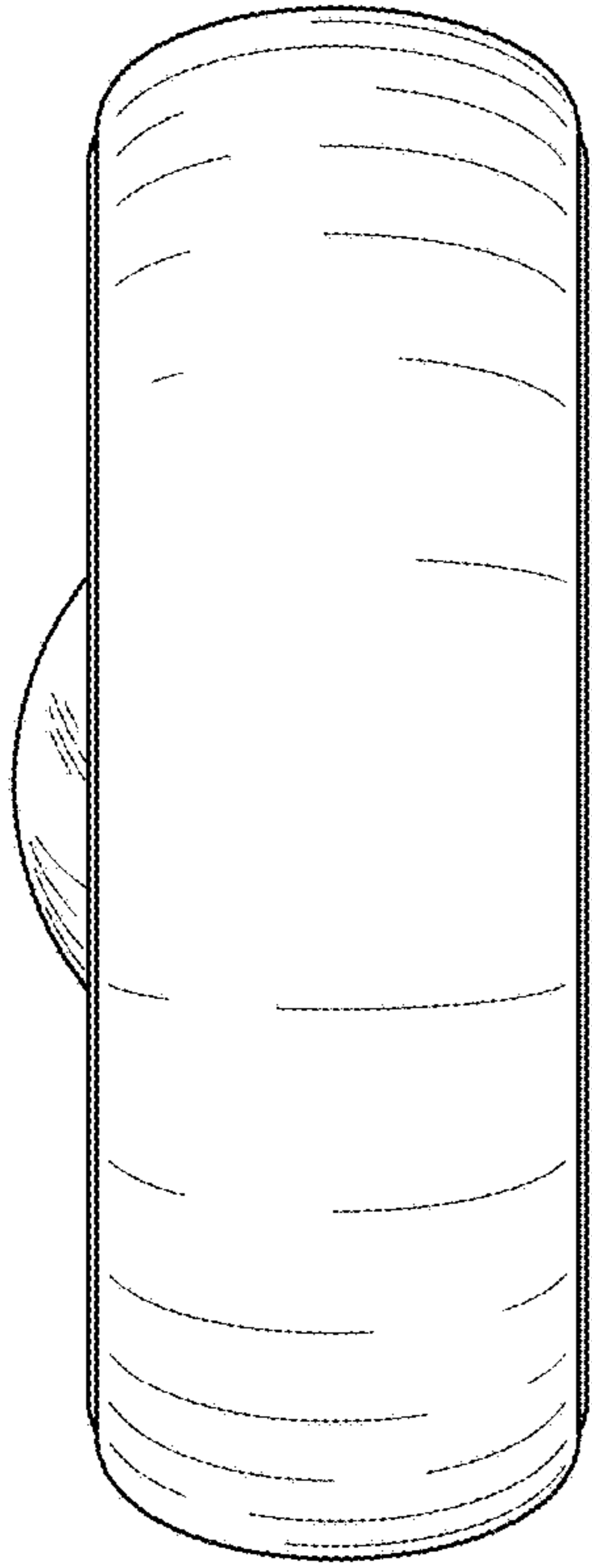


FIG. 4

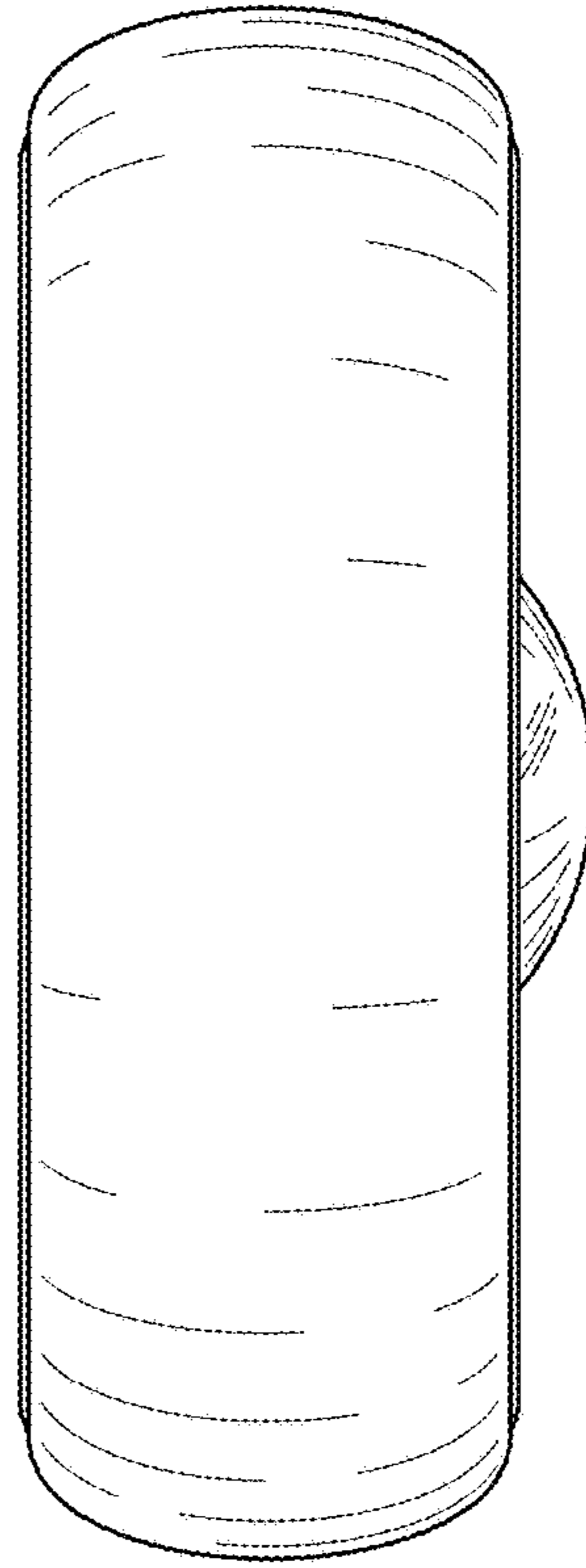


FIG. 5

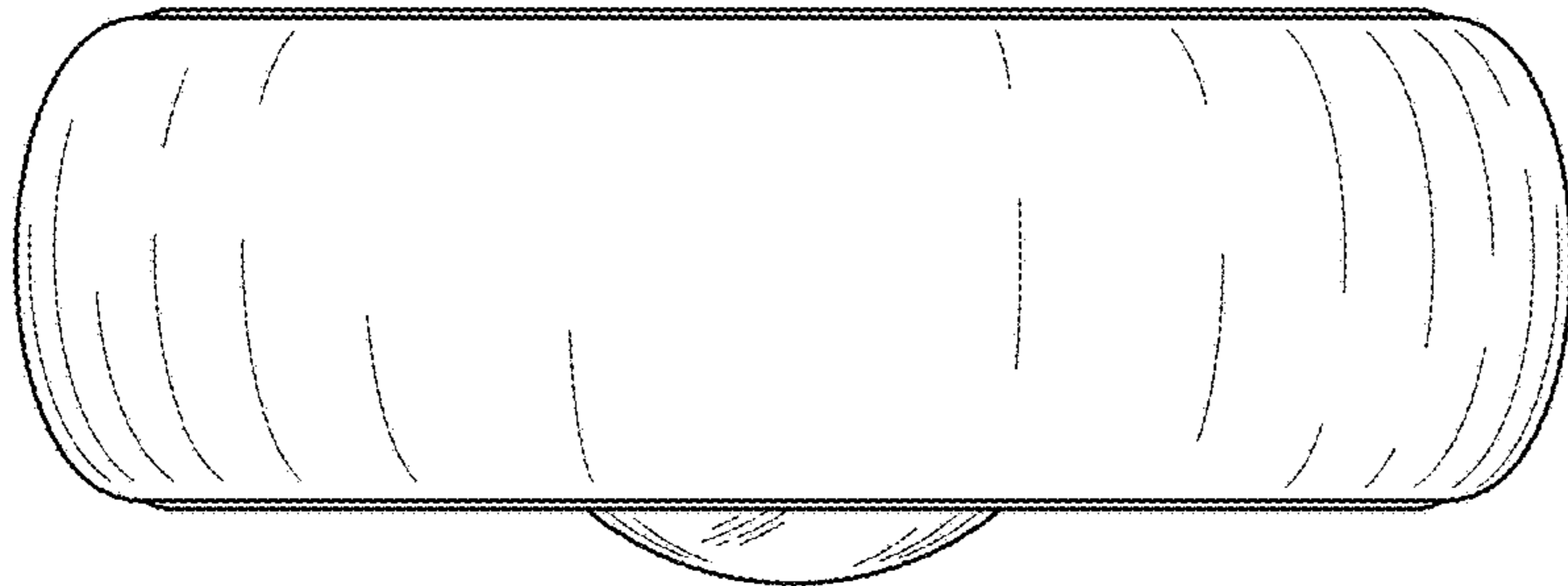


FIG. 6

FIG. 7

